



US00D711000S

(12) **United States Design Patent**
Ravikumar et al.

(10) **Patent No.:** **US D711,000 S**
(45) **Date of Patent:** **** Aug. 12, 2014**

- (54) **LEG ELEVATION APPARATUS**
- (75) Inventors: **Sundaram Ravikumar**, Briar Cliff Manor, NY (US); **Varun Ponmudi**, Dobbs Ferry, NY (US)
- (73) Assignee: **Sun Scientific Inc.**, Dobbs Ferry, NY (US)
- (**) Term: **14 Years**
- (21) Appl. No.: **29/402,675**
- (22) Filed: **Sep. 26, 2011**
- (51) **LOC (10) Cl.** **24-01**
- (52) **U.S. Cl.**
USPC **D24/184**
- (58) **Field of Classification Search**
USPC D24/183-184, 190, 213, 215, 200, 212;
D6/502, 595, 596, 601, 648; 128/845,
128/869, 882; 5/636-640, 644, 646, 648;
601/27
See application file for complete search history.

4,977,891 A	12/1990	Grim	
5,046,487 A *	9/1991	Scott	601/27
D321,562 S *	11/1991	Ljungvall	D24/183
5,085,214 A	2/1992	Barrett	
5,097,553 A *	3/1992	Boland	5/632
5,125,123 A *	6/1992	Engle	5/648
5,173,979 A	12/1992	Nennhaus	
5,226,245 A	7/1993	Lamont	
D345,797 S *	4/1994	Gardner	D24/183
5,328,445 A	7/1994	Spahn et al.	
5,412,822 A	5/1995	Kelly	
D359,804 S *	6/1995	Carter	D24/183
5,431,624 A	7/1995	Saxton et al.	
5,449,339 A	9/1995	Drennan	
5,476,105 A	12/1995	Toth	
5,489,259 A	2/1996	Jacobs et al.	
D370,066 S *	5/1996	Kennemore	D24/183

(Continued)

Primary Examiner — T. Chase Nelson
Assistant Examiner — Mark Cavanna
(74) *Attorney, Agent, or Firm* — Theresa O'Rourke Nugent; Nugent & Smith LLP

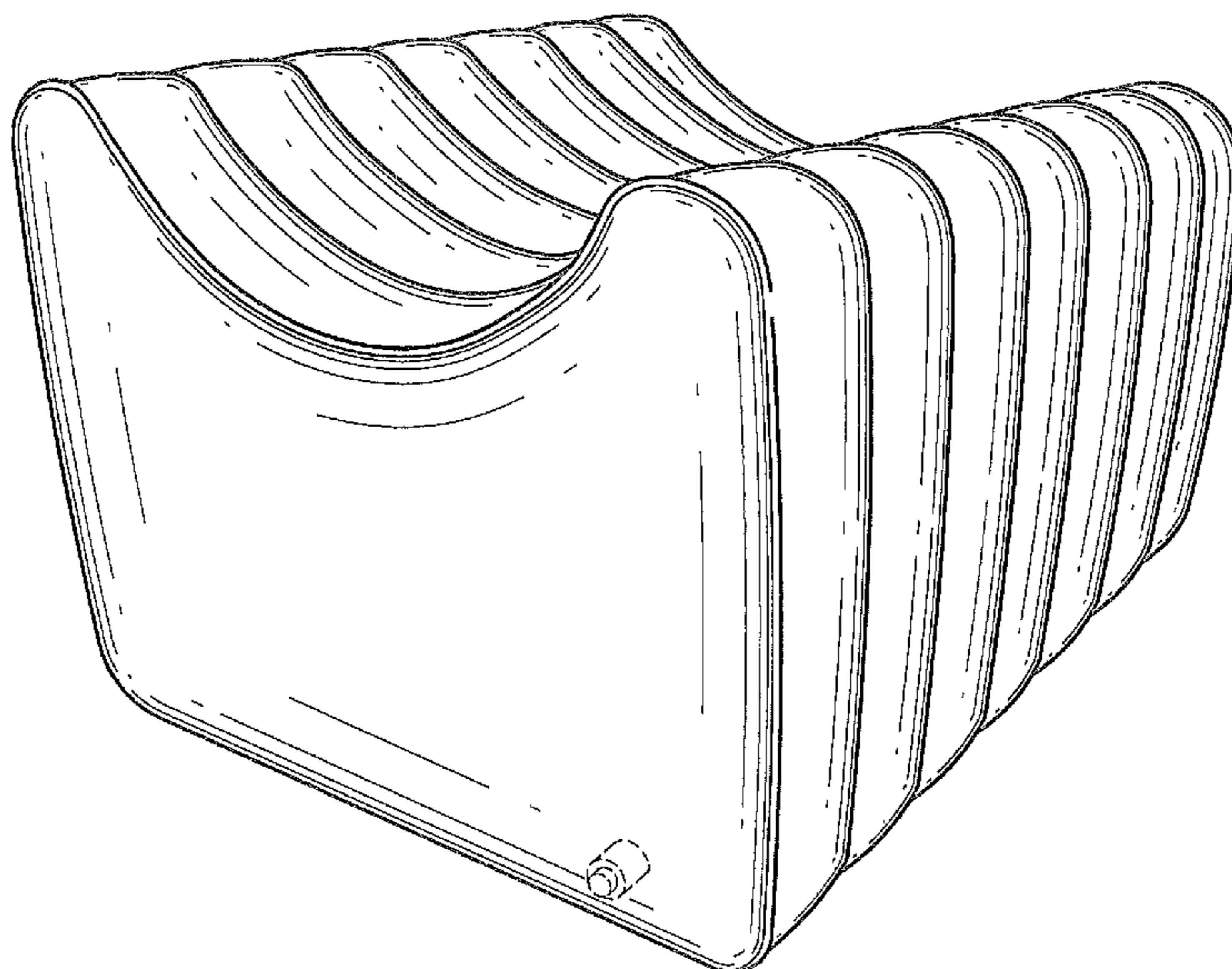
(57) **CLAIM**
The ornamental design for a leg elevation apparatus, as is shown and described.

DESCRIPTION

FIG. 1 is a perspective view of a leg elevation apparatus showing my new design;
FIG. 2 is a rear view of the leg elevation apparatus;
FIG. 3 is a left side view of the leg elevation apparatus;
FIG. 4 is a front view of the leg elevation apparatus;
FIG. 5 is a top view of the leg elevation apparatus; and,
FIG. 6 is a bottom view of the leg elevation apparatus.
The broken lines shown in the drawings represent unclaimed portions of the leg elevation apparatus and form no part of the claimed design.

1 Claim, 6 Drawing Sheets

- (56) **References Cited**
U.S. PATENT DOCUMENTS
- 3,939,829 A 2/1976 Spann
- 3,946,451 A 3/1976 Spann
- 4,071,031 A 1/1978 Lowman
- 4,186,738 A 2/1980 Schleicher et al.
- 4,197,845 A 4/1980 Browning
- 4,266,298 A 5/1981 Graziano
- 4,399,815 A 8/1983 Bachorik
- 4,409,975 A 10/1983 Simhoni
- D274,264 S 6/1984 Andersson
- 4,730,610 A 3/1988 Graebe
- D296,932 S * 7/1988 Traghese D24/183
- 4,944,060 A 7/1990 Peery et al.
- D311,470 S * 10/1990 Cosgrove et al. D6/601



(56)

References Cited

U.S. PATENT DOCUMENTS

5,666,681	A	9/1997	Meyer et al.	6,572,573	B1	6/2003	Klein
5,765,564	A	6/1998	Ewing	6,634,045	B1	10/2003	DuDonis et al.
5,839,139	A	11/1998	Fink	D521,301	S	5/2006	Dickson
5,876,364	A	3/1999	Herbst	7,150,057	B1	12/2006	Santiago et al.
5,913,841	A	6/1999	Lamont	D539,066	S *	3/2007	Coquillette D6/601
D413,981	S *	9/1999	Swedberg et al.	D561,341	S *	2/2008	Riley D24/184
5,957,872	A	9/1999	Flick	D565,734	S *	4/2008	Scott D24/183
5,957,874	A	9/1999	Klein	D584,820	S *	1/2009	Scott D24/183
5,997,491	A	12/1999	Harris	D625,421	S *	10/2010	Sharps et al. D24/184
D424,698	S *	5/2000	Ames D24/183	D642,694	S *	8/2011	Sharps et al. D24/190
6,149,613	A	11/2000	Klein	8,322,343	B2 *	12/2012	Cardin 128/845
6,151,739	A	11/2000	Meyer et al.	2001/0016960	A1	8/2001	Grabell et al.
6,175,979	B1	1/2001	Jackson	2002/0032485	A1	3/2002	Flam et al.
6,260,221	B1	7/2001	Grabell et al.	2003/0182727	A1	10/2003	DuDonis et al.
6,351,863	B1	3/2002	Meyer et al.	2004/0070254	A1	4/2004	Conlon et al.
D455,311	S *	4/2002	Fux D6/601	2004/0215122	A1 *	10/2004	Hansen 602/23
				2005/0060808	A1	3/2005	Shaw
				2005/0107728	A1	5/2005	Vetters et al.

* cited by examiner

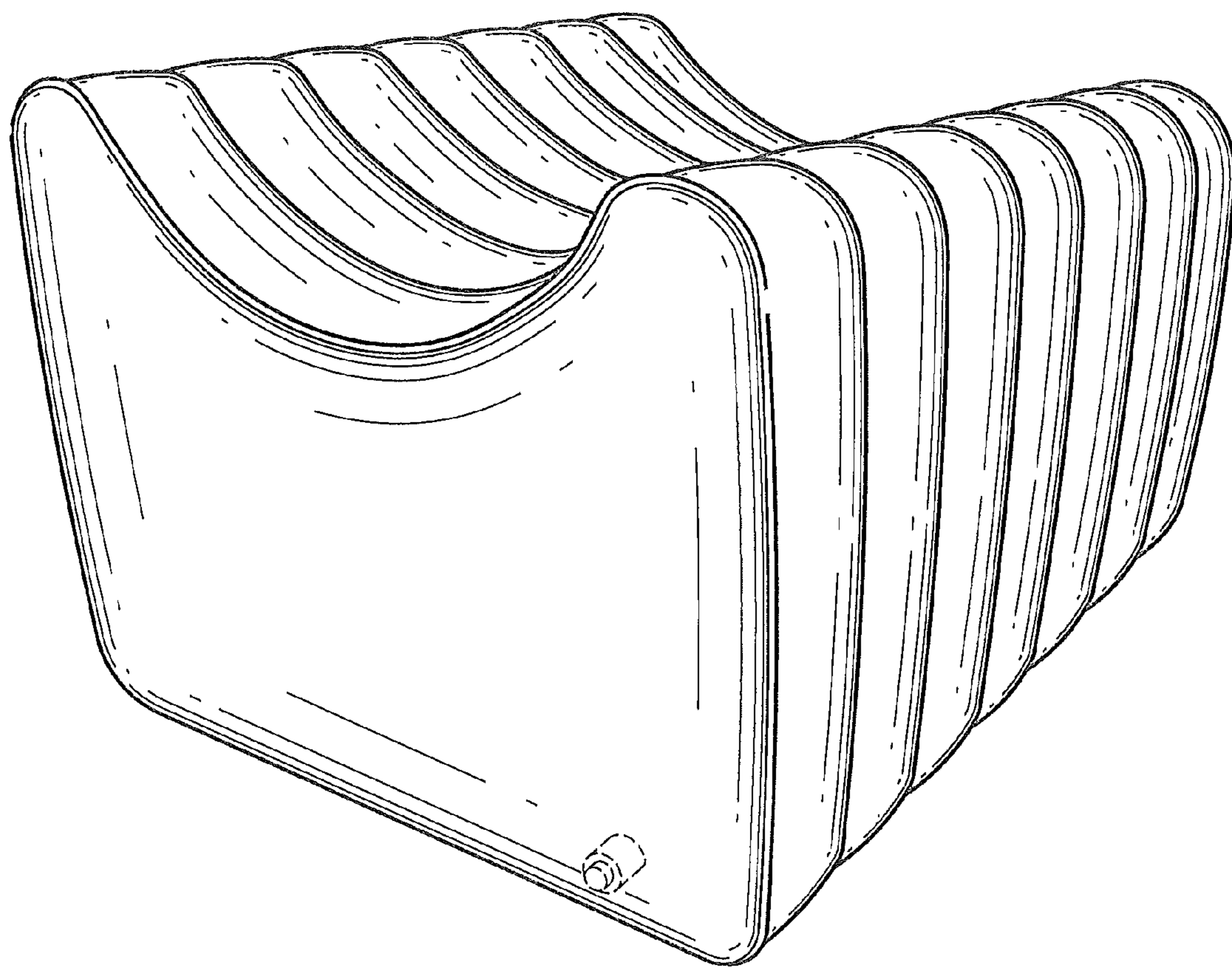


FIG. 1

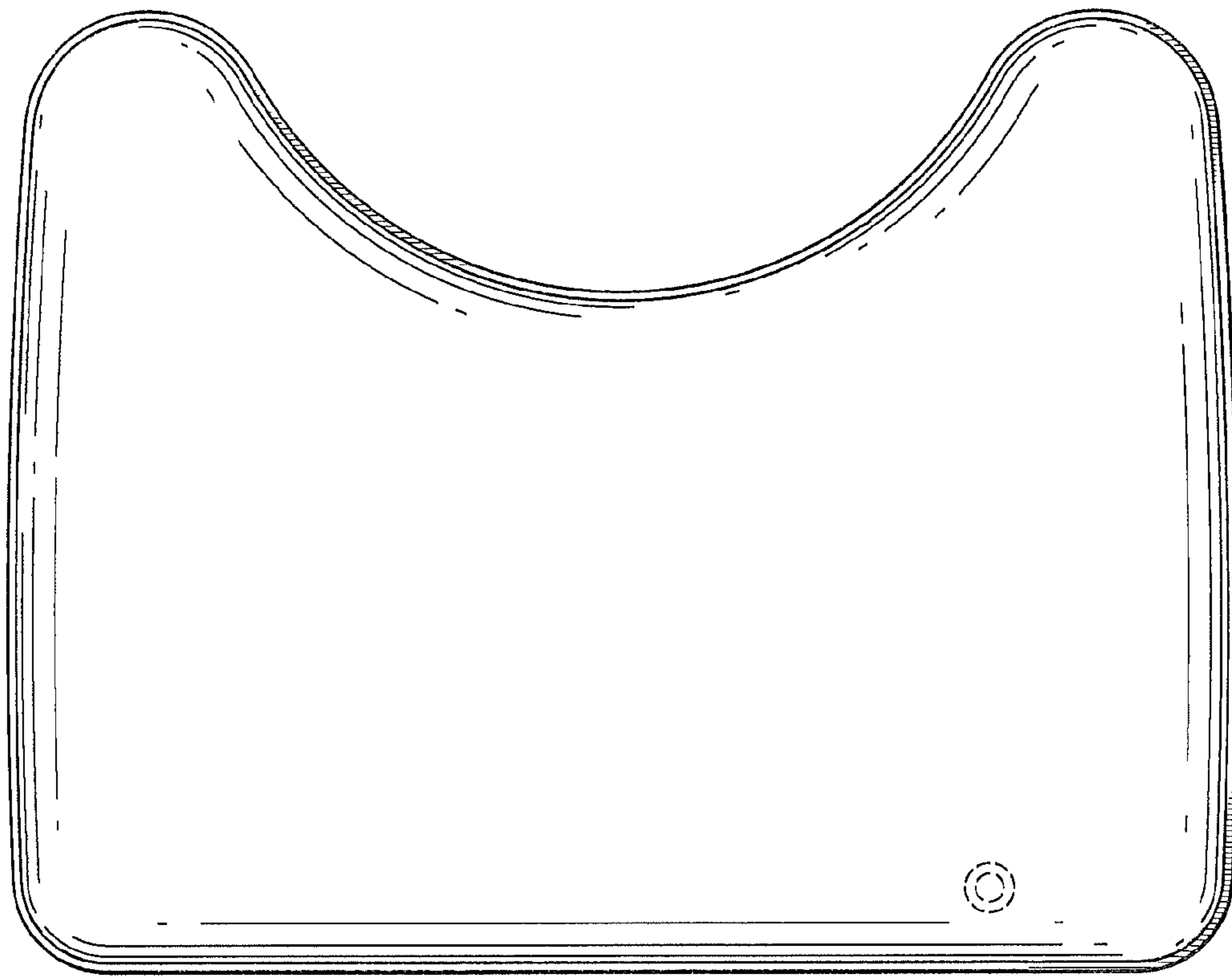


FIG. 2

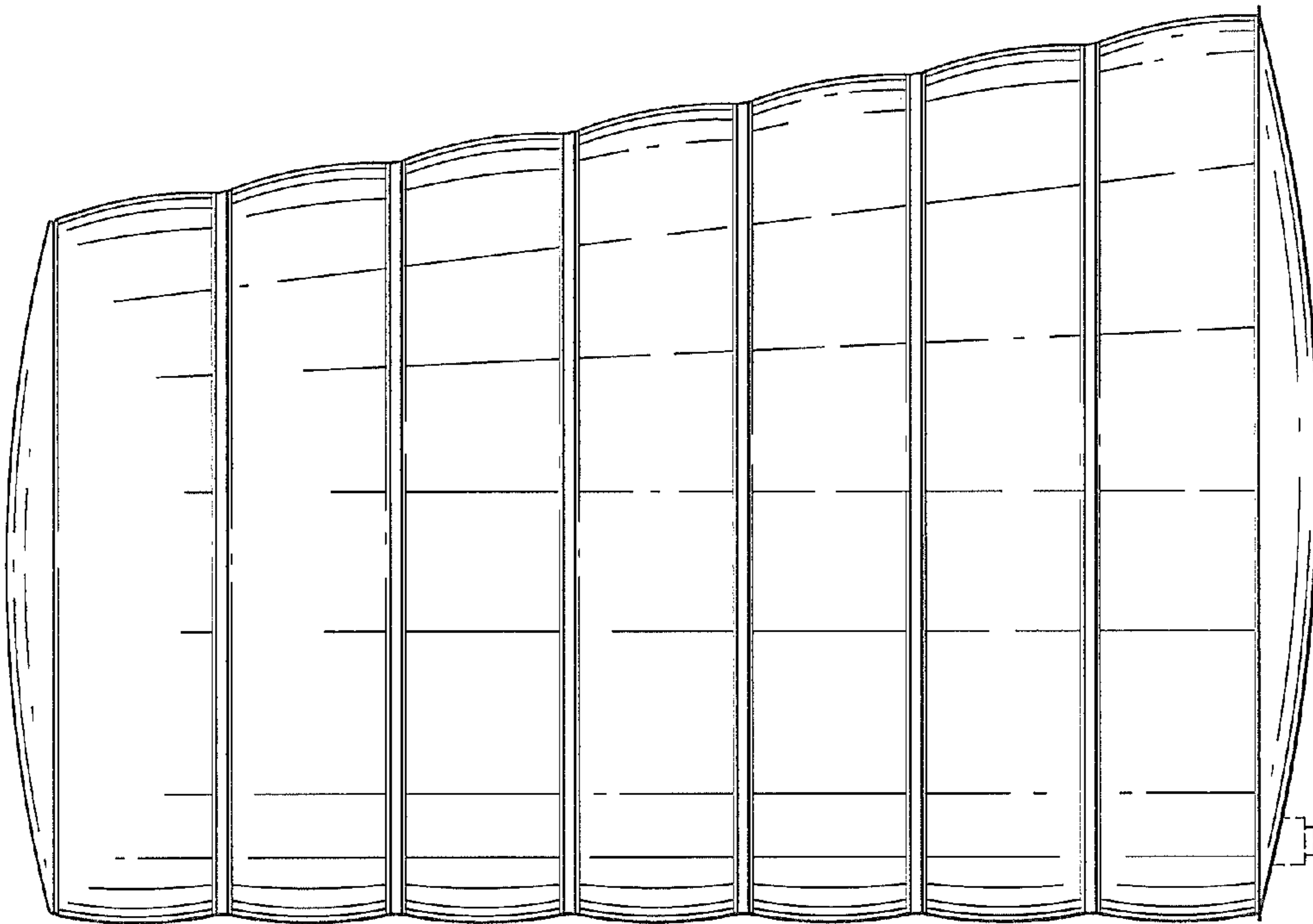


FIG. 3

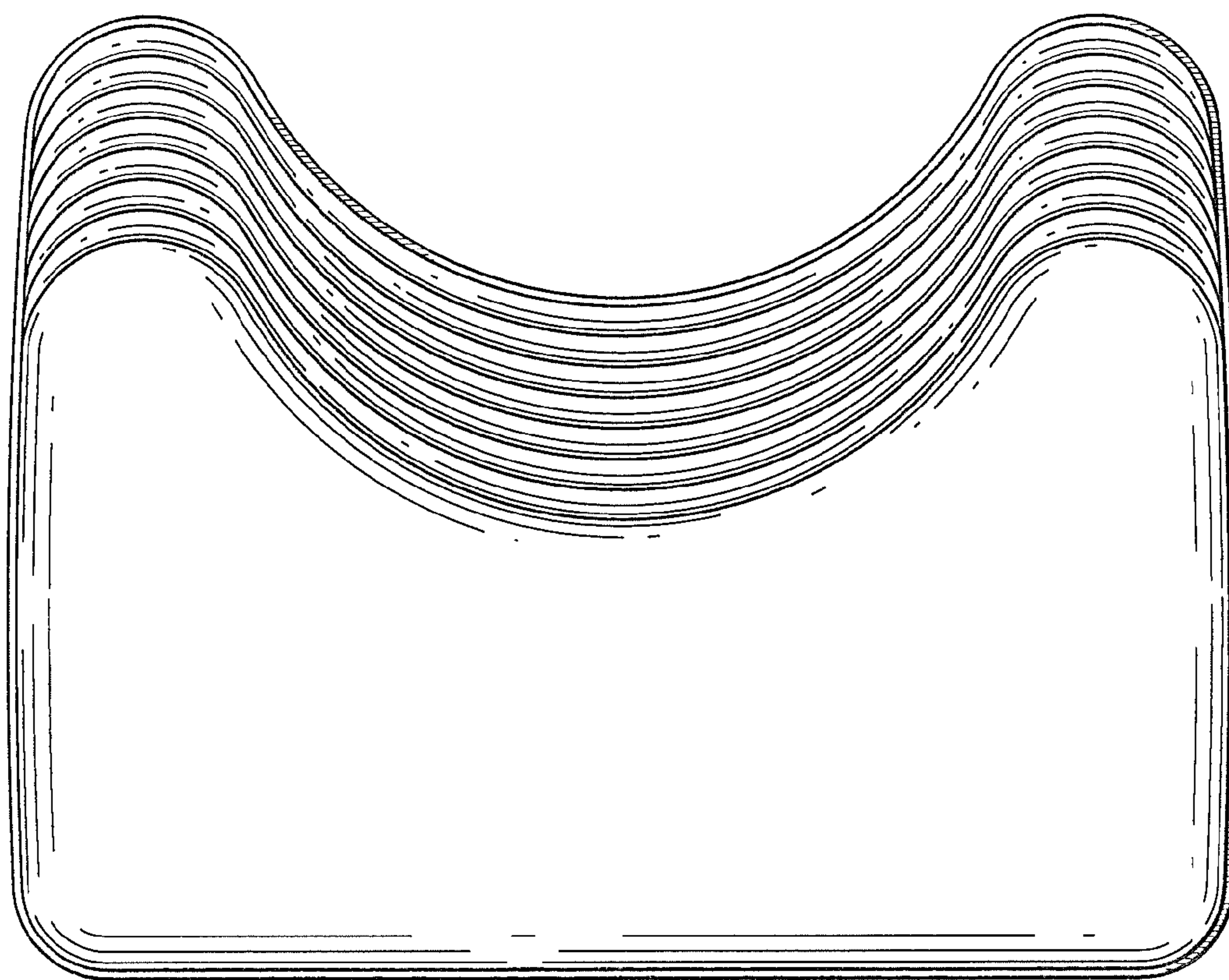


FIG. 4



FIG. 5

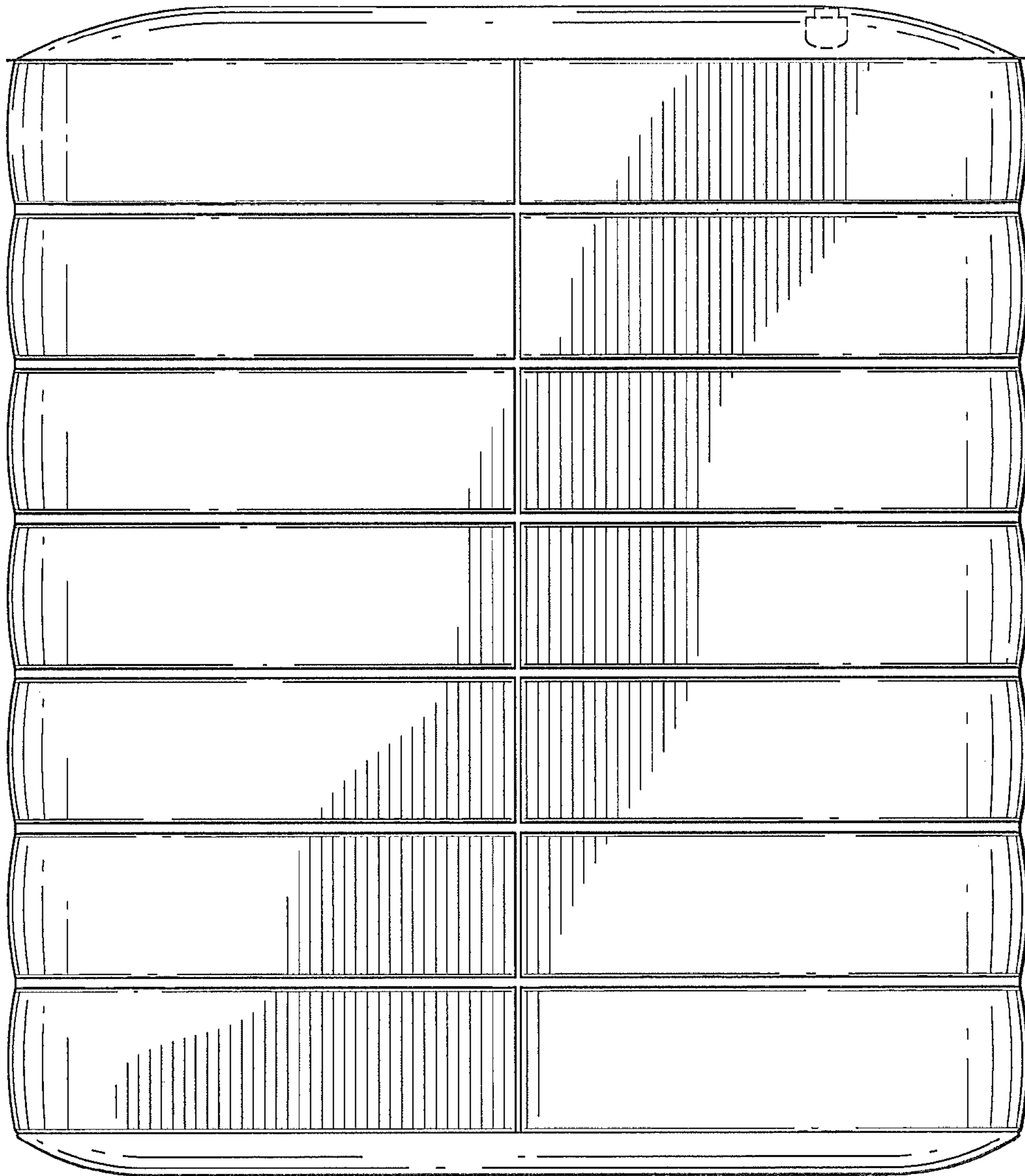


FIG. 6