



US00D710999S

(12) **United States Design Patent**
Gurall

(10) **Patent No.:** **US D710,999 S**

(45) **Date of Patent:** **** Aug. 12, 2014**

(54) **FOOTREST**

(75) Inventor: **Caleb Ford Gurall**, Concord, MA (US)

(73) Assignee: **Setedge, LLC**, Burlington, VT (US)

(**) Term: **14 Years**

(21) Appl. No.: **29/413,559**

(22) Filed: **Feb. 16, 2012**

Related U.S. Application Data

(63) Continuation-in-part of application No. 13/384,335, filed as application No. PCT/US2012/021392 on Jan. 13, 2012, now abandoned.

(51) **LOC (10) Cl.** **24-01**

(52) **U.S. Cl.**
USPC **D24/183**

(58) **Field of Classification Search**
USPC D24/183–184, 192, 205–206, 212–213;
D2/910, 946, 921, 912; D6/601;
2/69.5, 65, 69; 36/7.1 R, 2.6; 383/4;
601/166; 4/622; 5/651
See application file for complete search history.

(56) **References Cited**

U.S. PATENT DOCUMENTS

1,608,188	A	*	11/1926	Skoler	36/7.1 R
1,686,588	A	*	10/1928	Wendemuth	36/2.6
1,746,459	A	*	2/1930	Brady	2/65
1,776,983	A	*	9/1930	Rotherham	383/4
1,808,233	A	*	6/1931	Kamrath	2/69
3,026,540	A	*	3/1962	Barker	4/622
3,283,756	A	*	11/1966	Turley	601/166
D244,641	S	*	6/1977	Rajaniemi et al.	D2/910
4,214,327	A	*	7/1980	Smith	5/651
D268,298	S	*	3/1983	Goguen	D2/912
D325,682	S	*	4/1992	Green	D6/601
D330,623	S	*	11/1992	Kelley	D2/946
D359,190	S	*	6/1995	Hargest et al.	D6/601
D375,164	S	*	10/1996	Wasserman et al.	D24/192
5,561,859	A	*	10/1996	Fischer	2/69.5

D388,174	S	*	12/1997	Stano	D24/192
D427,419	S	*	7/2000	Tenold	D2/910
D435,294	S	*	12/2000	Pior et al.	D24/192
D453,969	S	*	2/2002	Callsen et al.	D24/192
D455,836	S	*	4/2002	Lammers	D24/192
D529,619	S	*	10/2006	Onozawa	D24/212
D639,973	S	*	6/2011	Hughes	D24/206
D677,864	S	*	3/2013	Cornett et al.	D2/921

* cited by examiner

Primary Examiner — T. Chase Nelson

Assistant Examiner — Mark Cavanna

(74) *Attorney, Agent, or Firm* — Reza Mollaaghababa; Thomas J. Engellenner; Pepper Hamilton LLP

(57) **CLAIM**

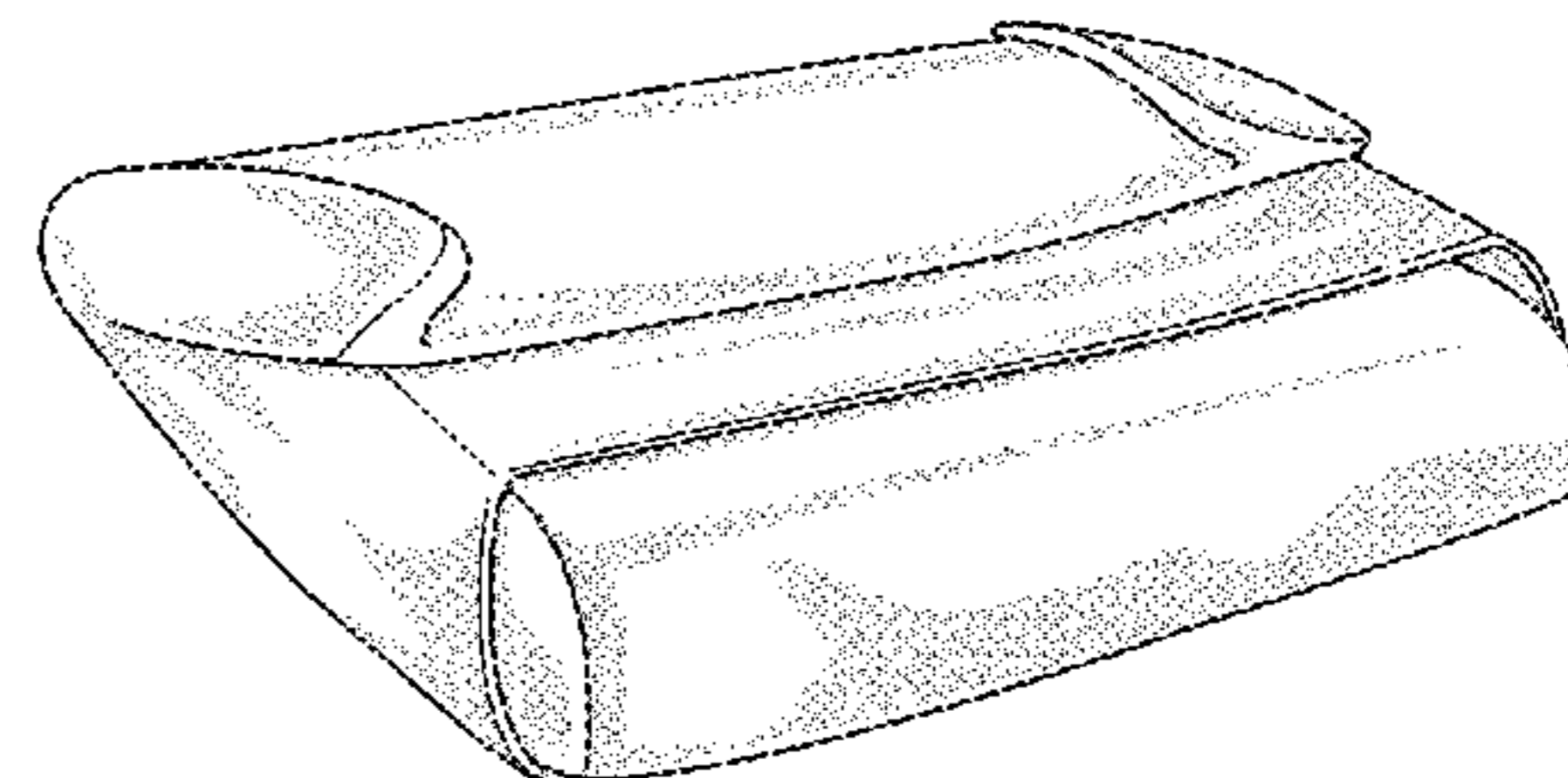
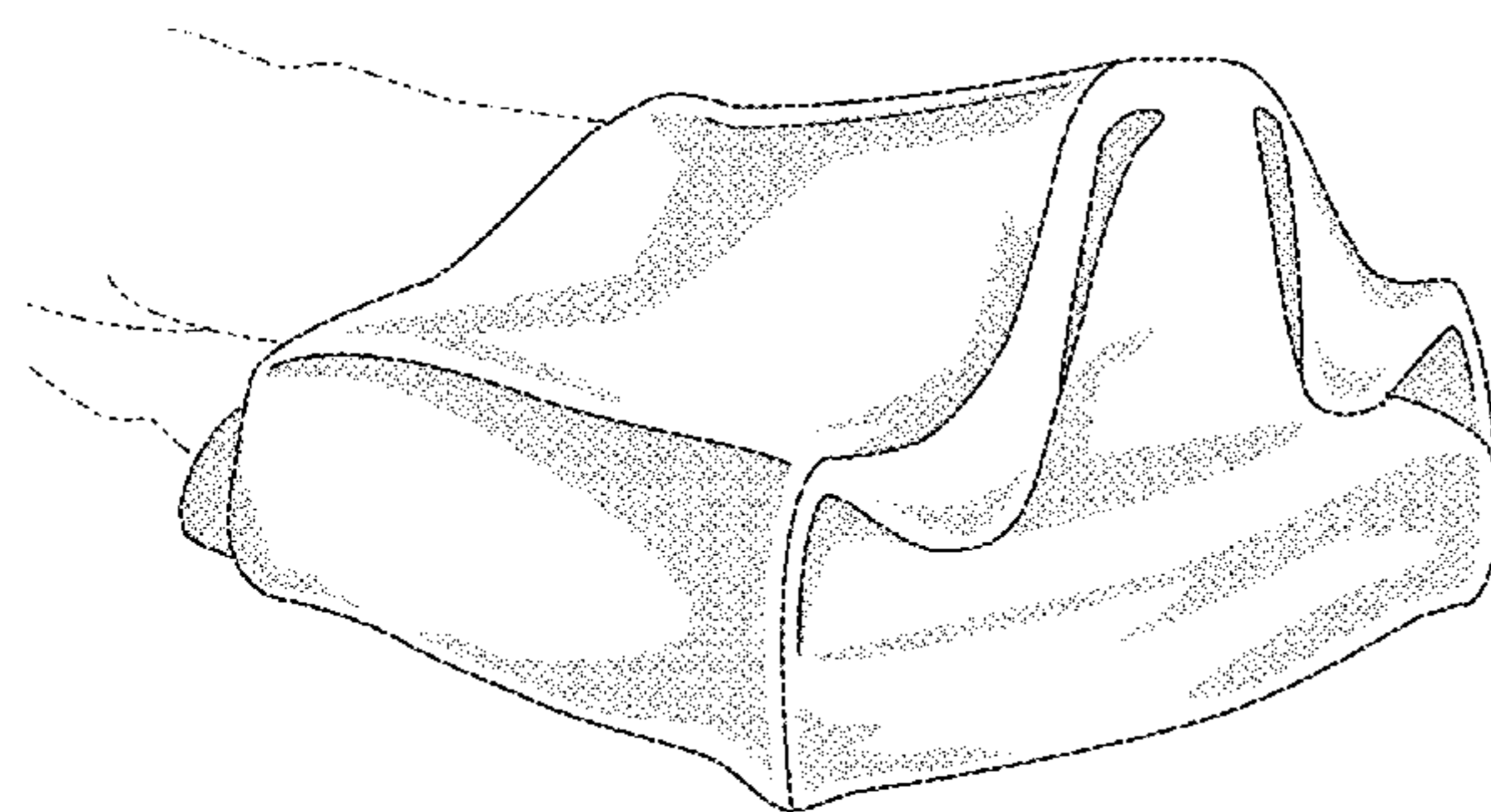
The ornamental design for a footrest, as shown and described.

DESCRIPTION

FIG. 1 is a perspective view of a footrest; FIG. 2 is a front elevation view thereof; FIG. 3 is a rear elevation view thereof; FIG. 4 is a side elevation view thereof; FIG. 5 is a top plan view thereof; FIG. 6 is a bottom plan view thereof; FIG. 7 is a perspective view depicting the footrest of FIG. 1 in an alternate collapsed position; FIG. 8 is a front elevation view of the footrest in the alternate position; FIG. 9 is a rear elevation view of the footrest in the alternate position; FIG. 10 is a side elevation view of the footrest in the alternate position; FIG. 11 is a top plan view of the footrest in the alternate position; and, FIG. 12 is a bottom plan view of the footrest in the alternate position.

The broken line showing a person's legs in FIG. 1 are included for the purpose of illustrating the invention in use, and form no part of the claimed design.

1 Claim, 6 Drawing Sheets



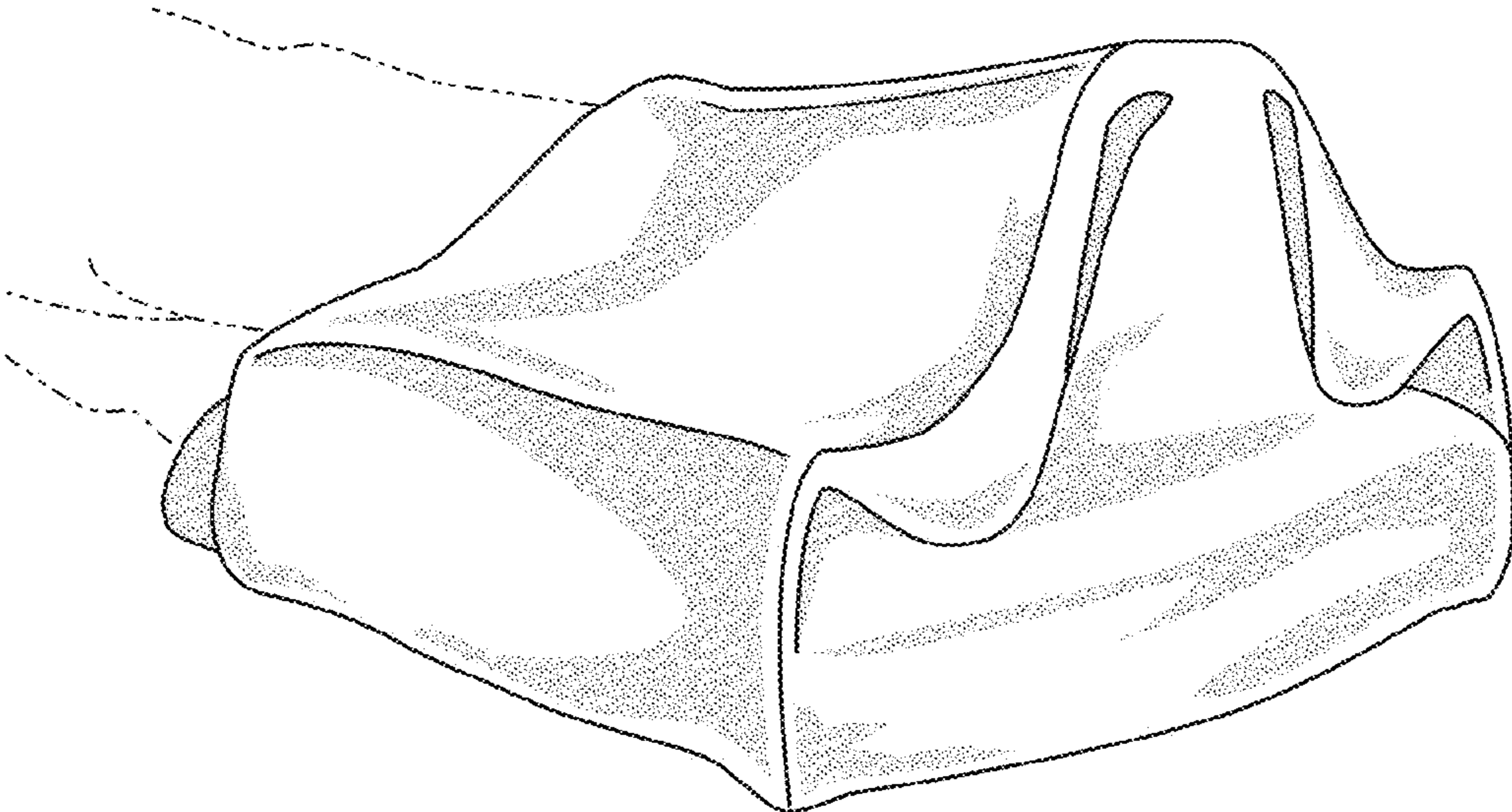


FIG. 1

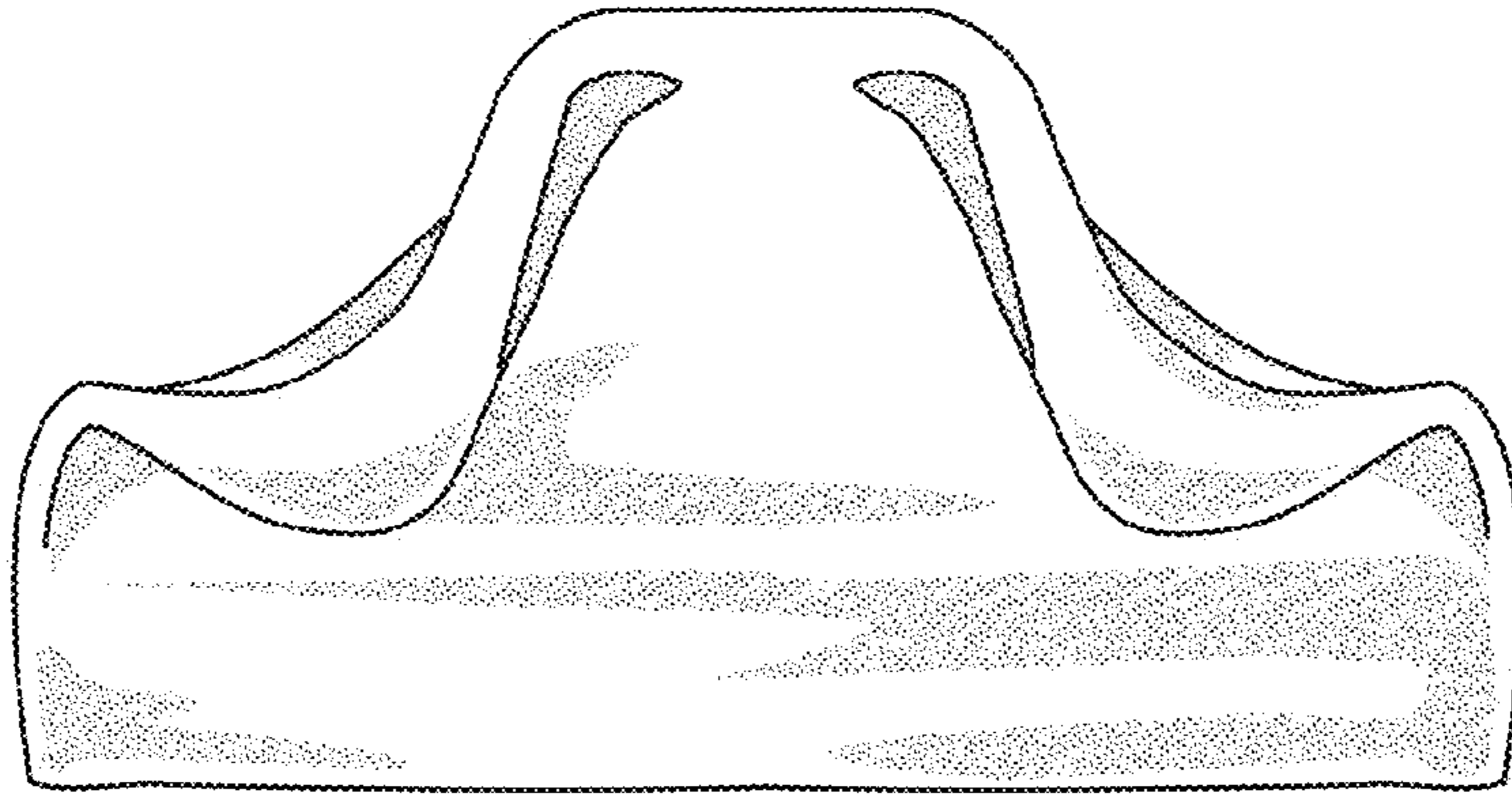


FIG. 2

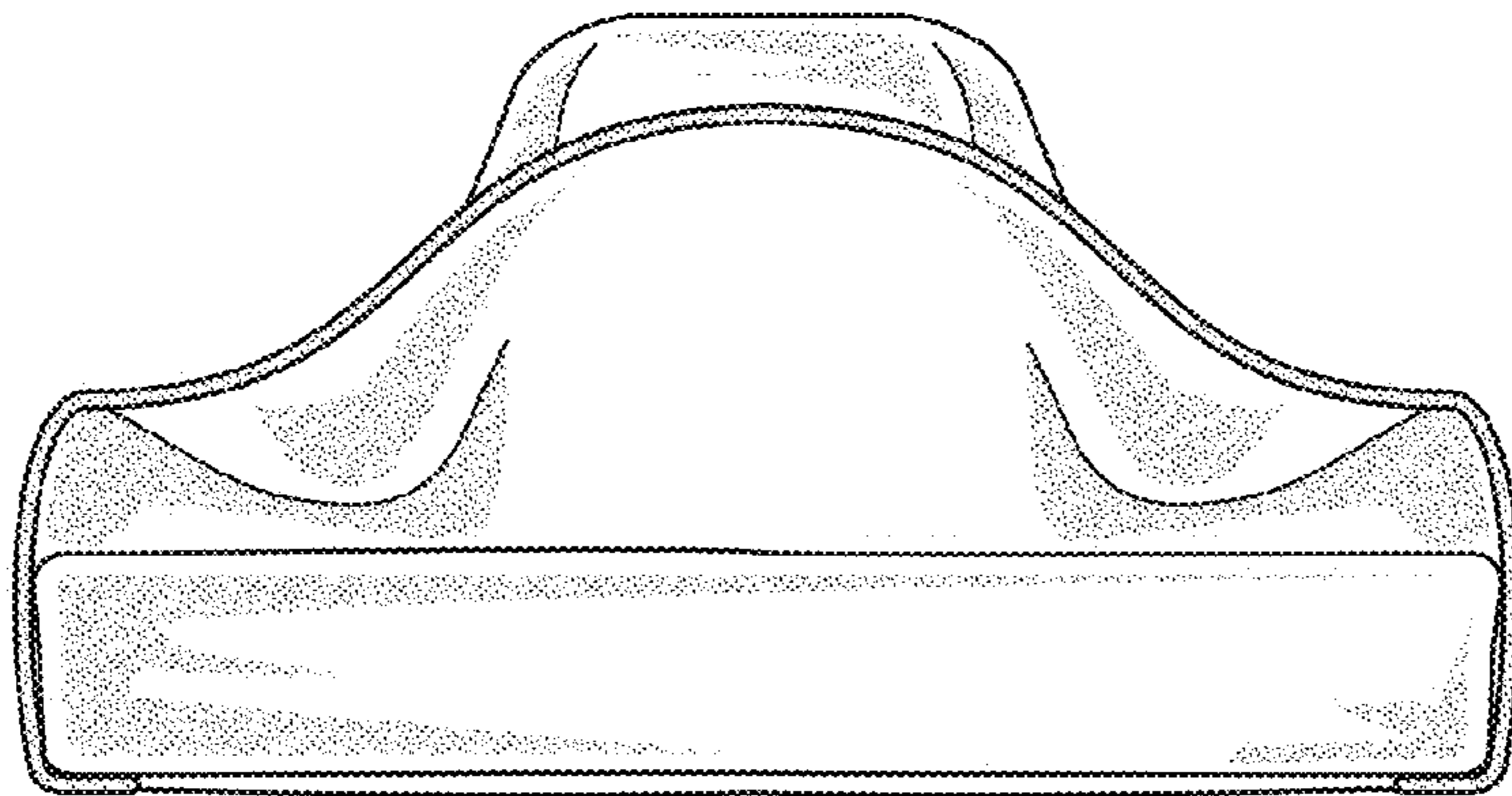


FIG. 3



FIG. 4

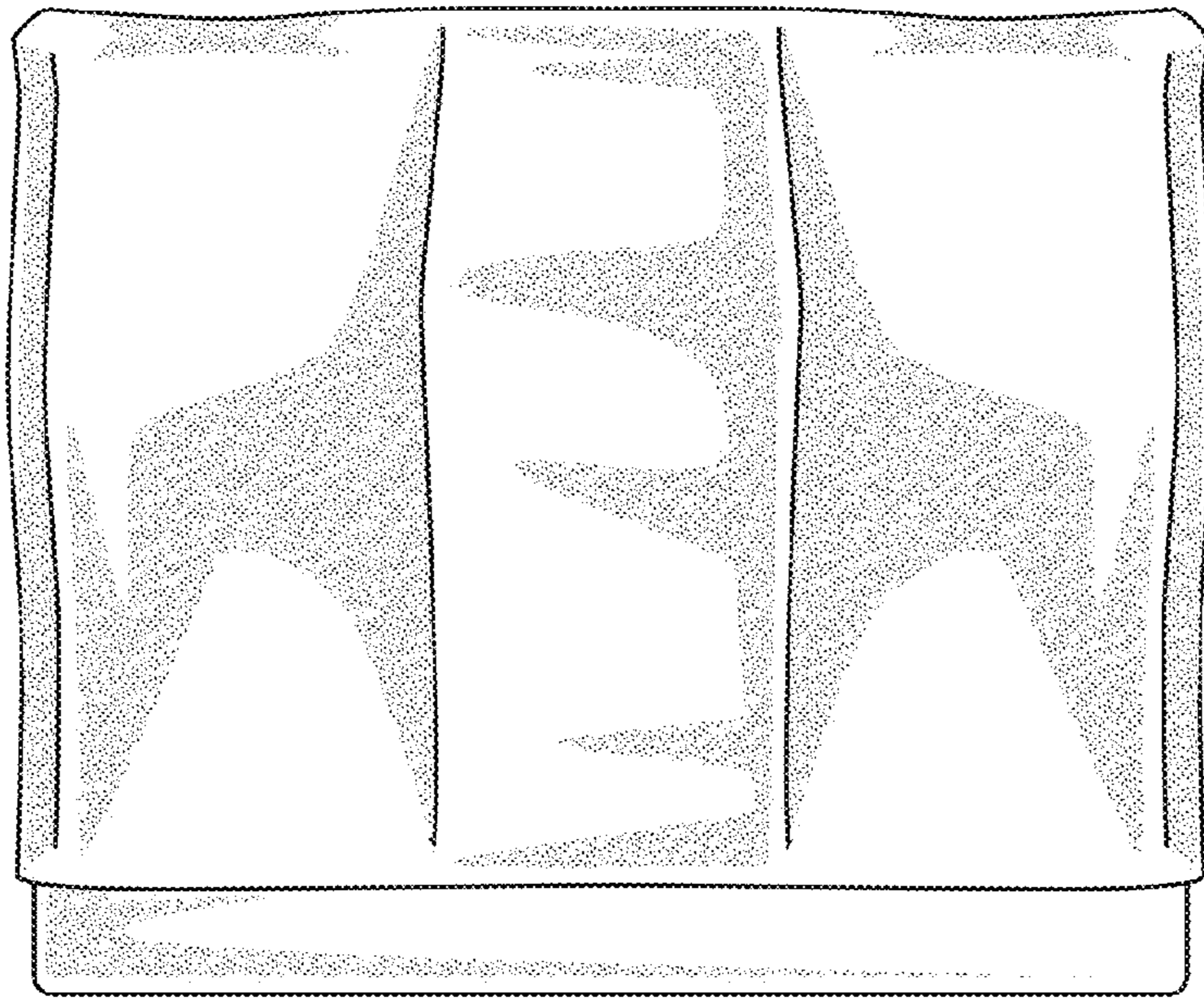


FIG. 5

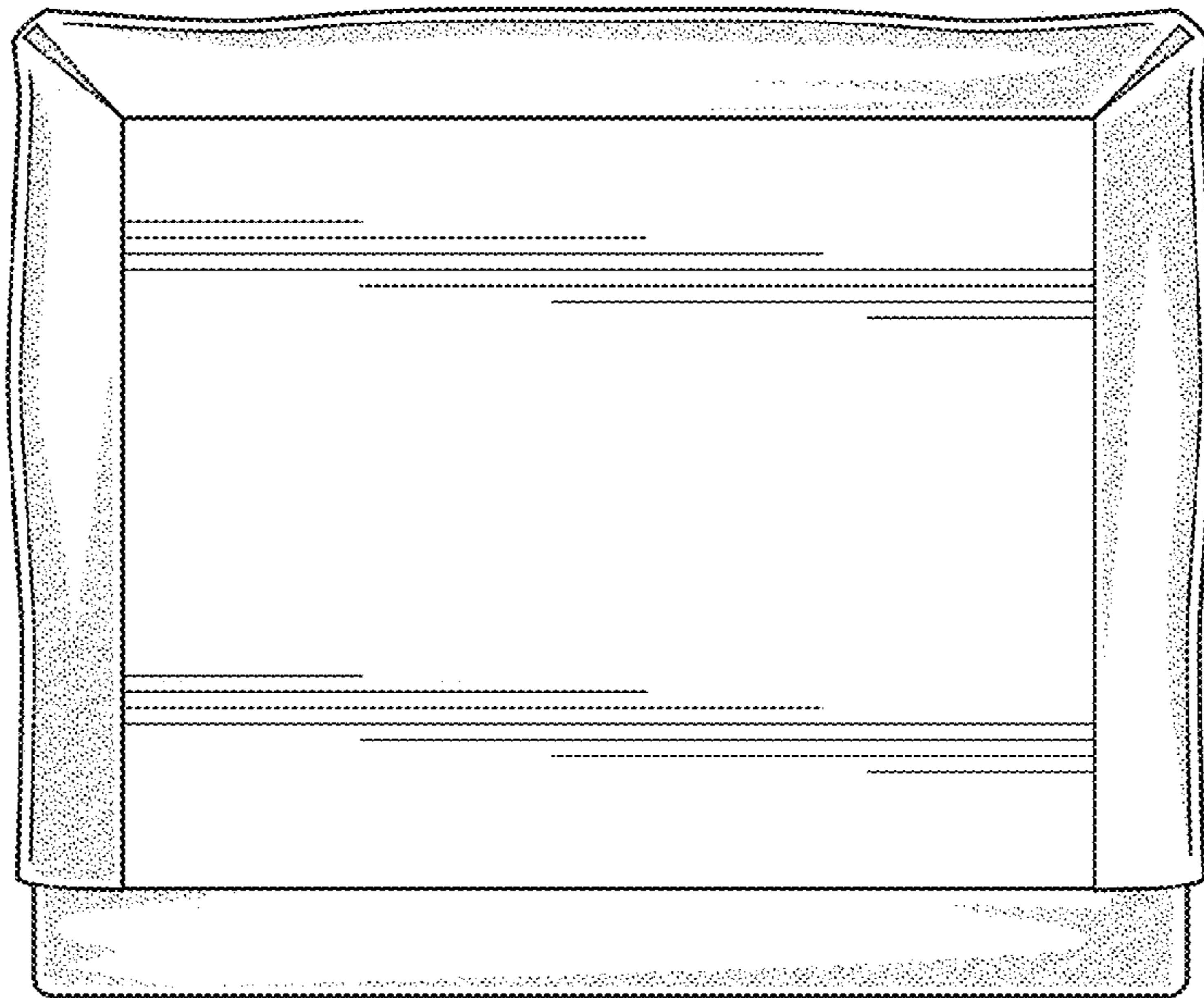


FIG. 6

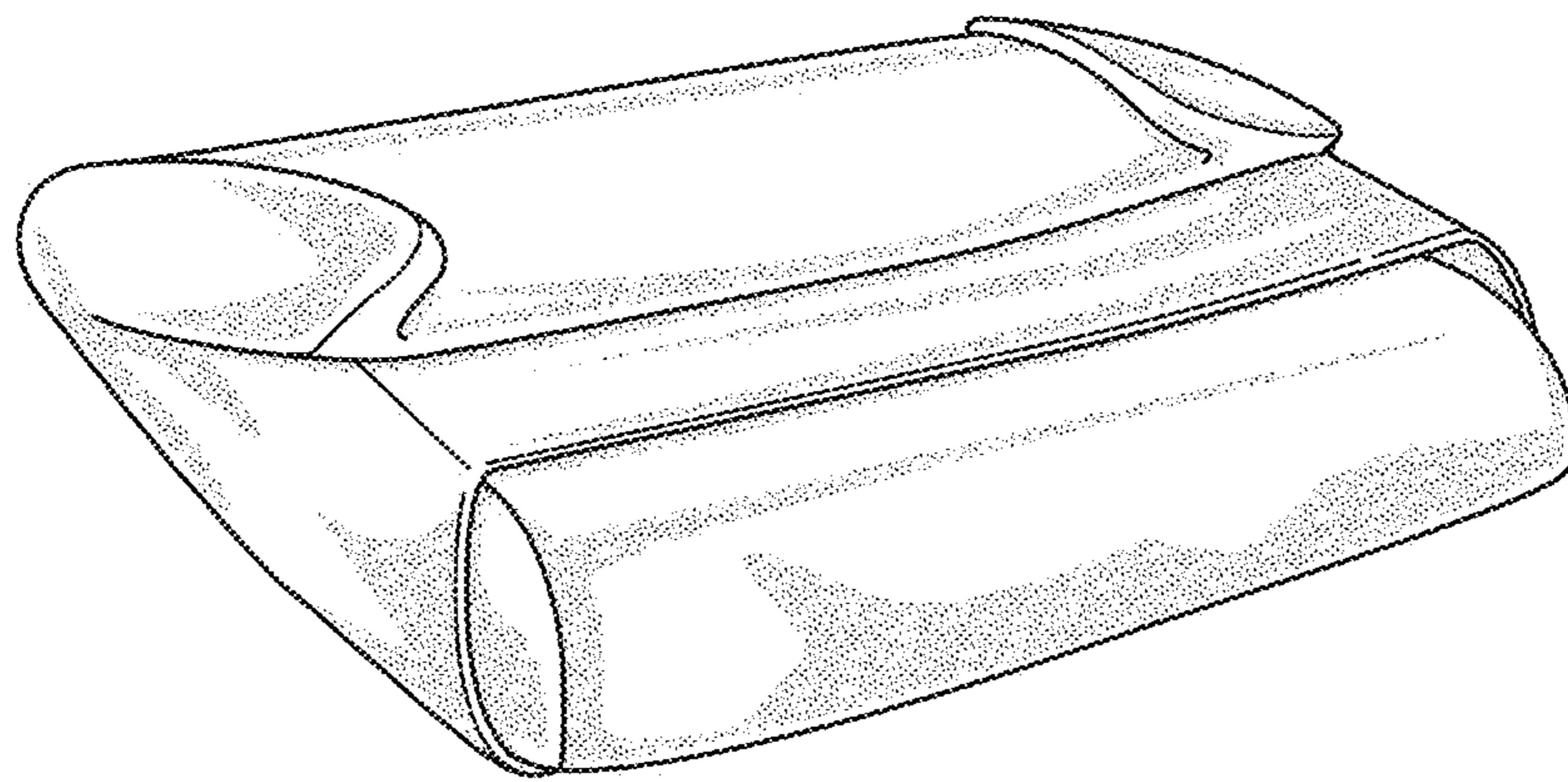


FIG. 7

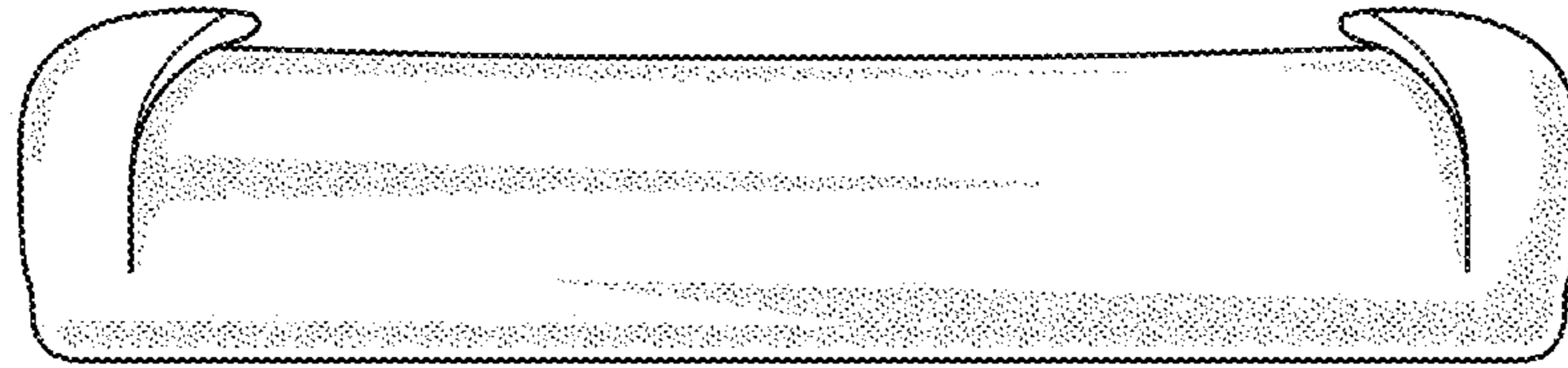


FIG. 8

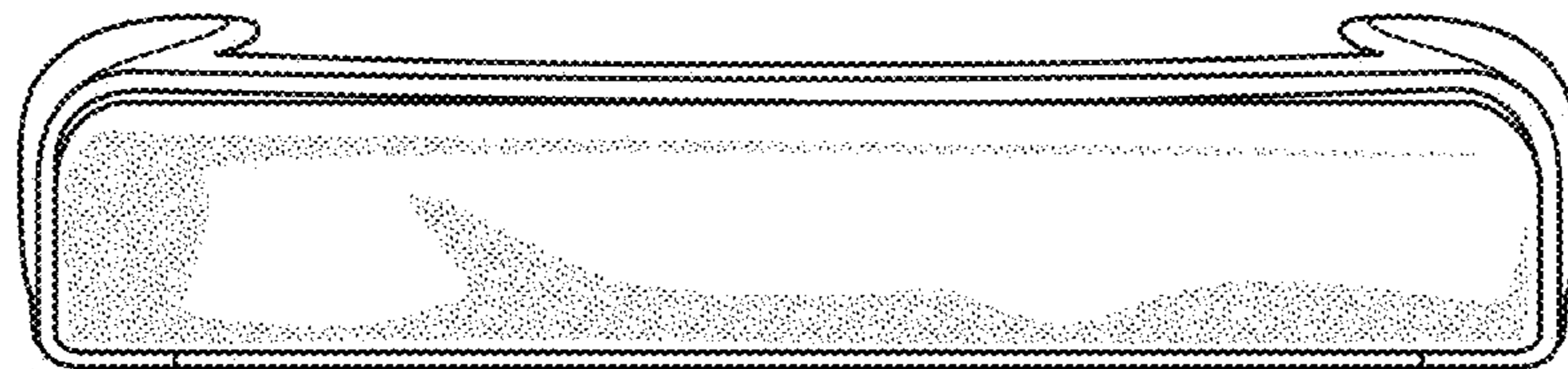


FIG. 9

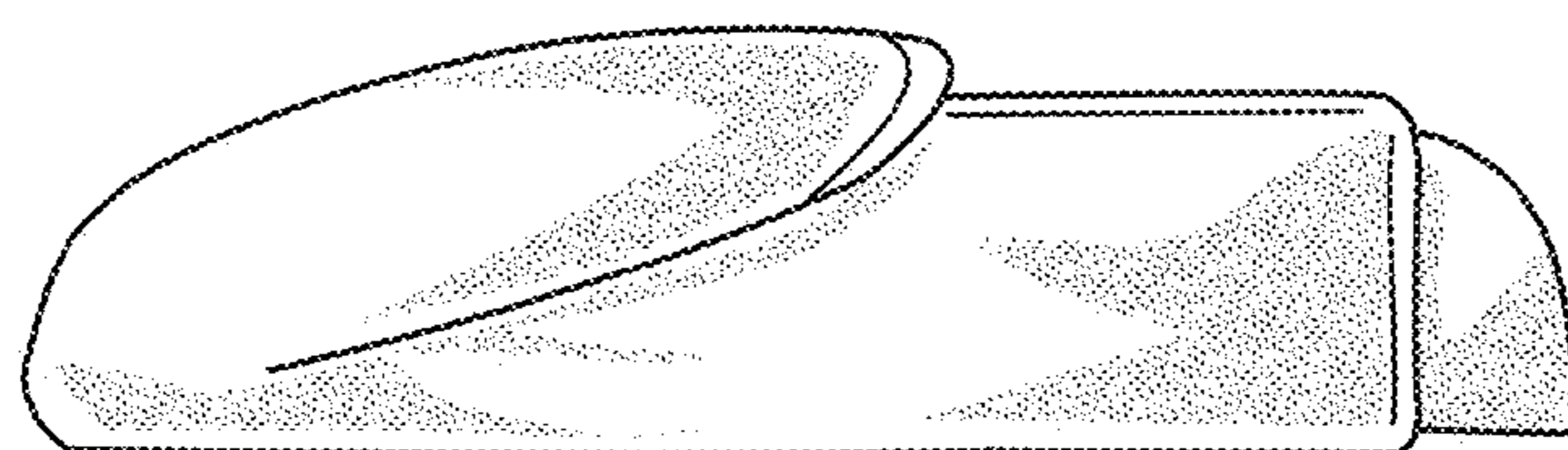


FIG. 10

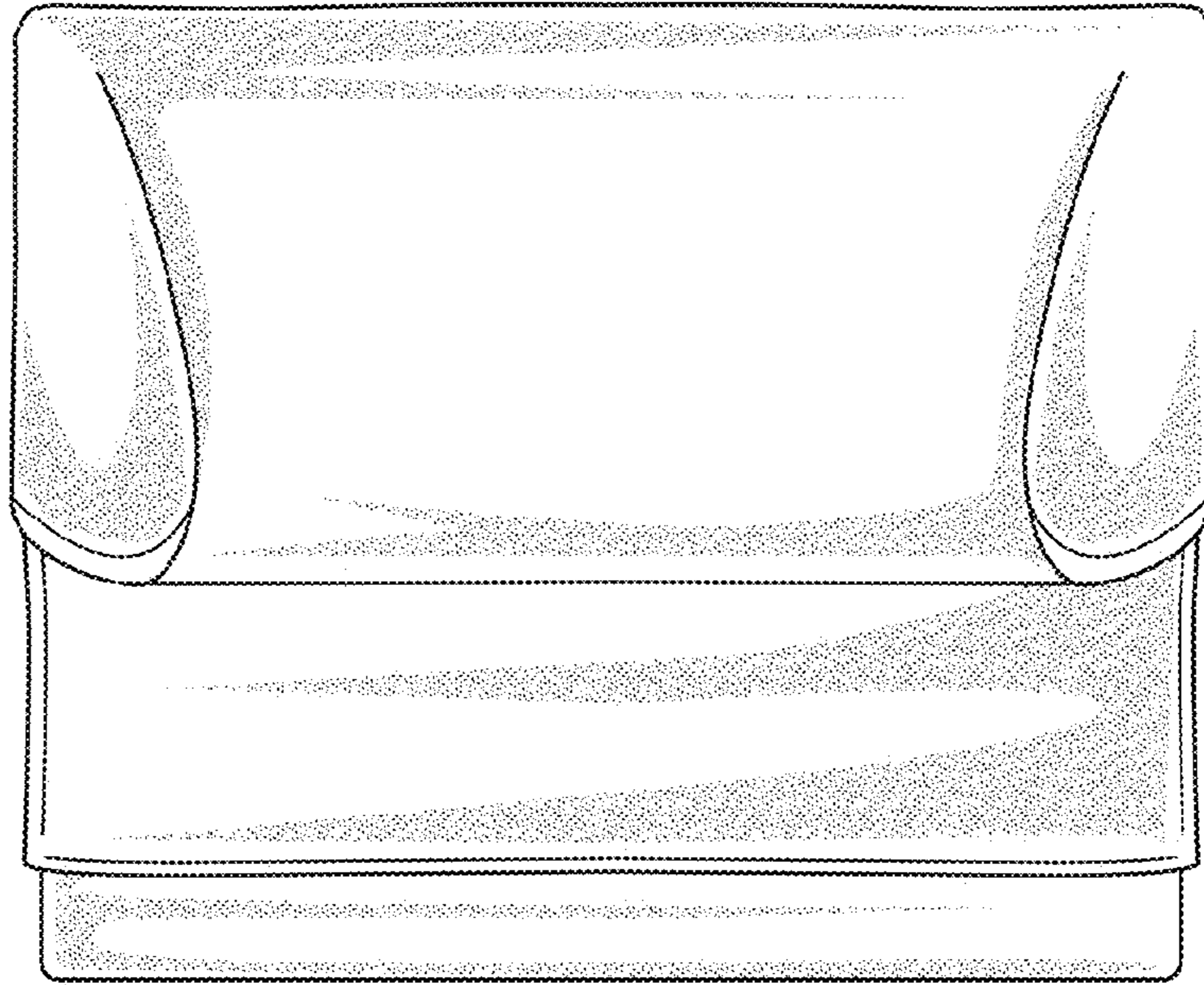


FIG. 11

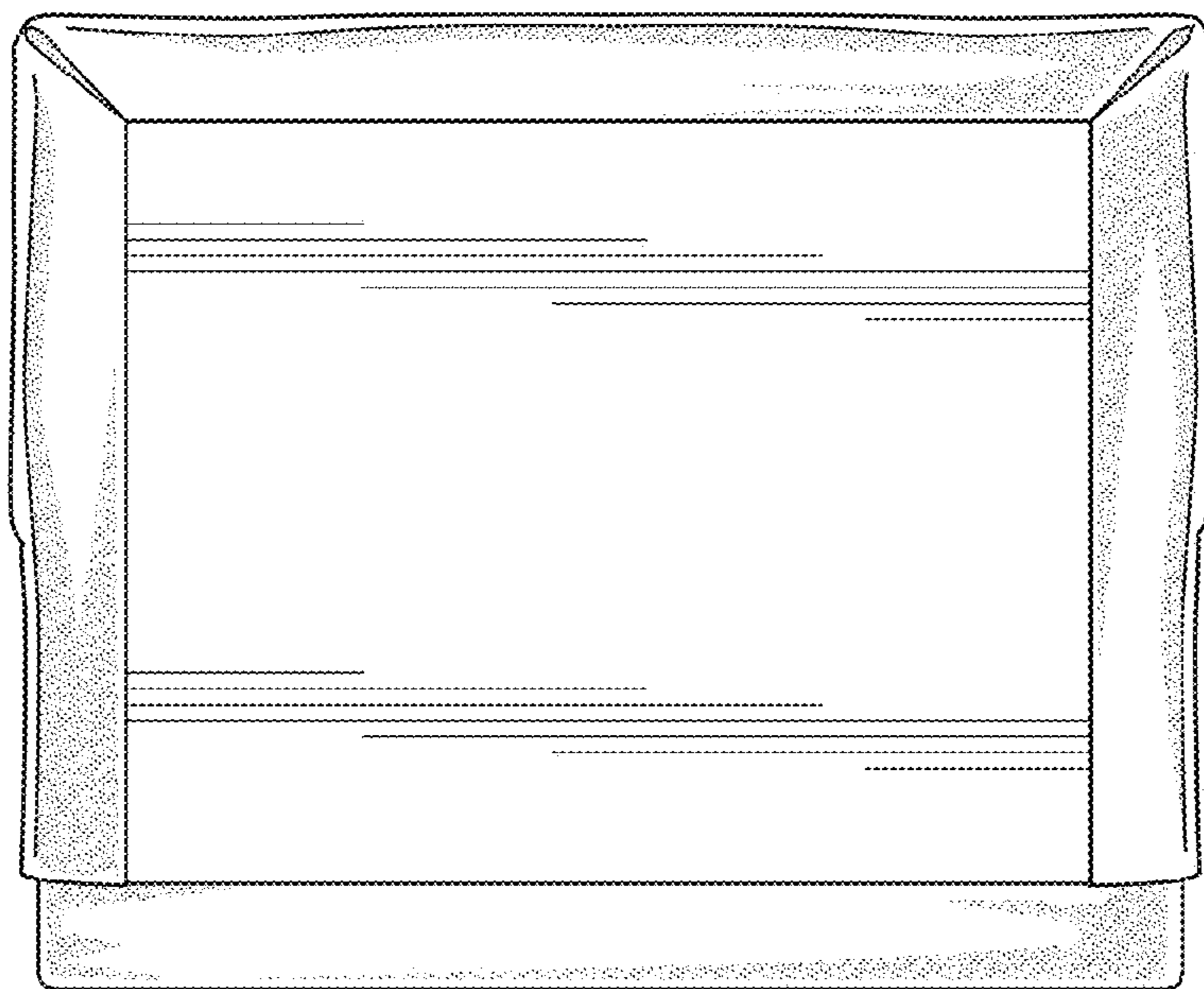


FIG. 12