



US00D710997S

(12) **United States Design Patent**  
**Thon et al.**

(10) **Patent No.:** **US D710,997 S**

(45) **Date of Patent:** **\*\* Aug. 12, 2014**

(54) **SUTURE ANCHOR**

(71) Applicant: **Stryker Trauma GmbH**, Schönkirchen (DE)

(72) Inventors: **Jörg Thon**, Kiel (DE); **Helge Giersch**, Laboe (DE); **Thomas Maack**, Kiel (DE); **Astrid Behrens**, Kiel (DE)

(73) Assignee: **Stryker Trauma GmbH** (DE)

(\*\*) Term: **14 Years**

(21) Appl. No.: **29/457,997**

(22) Filed: **Jun. 14, 2013**

(51) **LOC (10) Cl.** ..... **24-02**

(52) **U.S. Cl.**  
USPC ..... **D24/145**

(58) **Field of Classification Search**  
USPC ..... D24/145; 606/60, 62, 79, 144,  
606/147-148, 232, 309, 916  
See application file for complete search history.

(56) **References Cited**

**U.S. PATENT DOCUMENTS**

4,898,156	A *	2/1990	Gattorna et al.	.....	D24/145
D320,081	S	9/1991	Johnson		
5,176,682	A *	1/1993	Chow	.....	606/232
5,372,599	A *	12/1994	Martins	.....	606/916
5,501,690	A *	3/1996	Measamer et al.	.....	606/144
5,522,844	A	6/1996	Johnson		
5,709,708	A	1/1998	Thal		
5,733,307	A	3/1998	Dinsdale		
5,782,864	A *	7/1998	Lizardi	.....	606/232

5,948,000	A *	9/1999	Larsen et al.	.....	606/232
6,024,758	A	2/2000	Thal		
6,146,407	A *	11/2000	Krebs	.....	606/232
6,508,830	B2	1/2003	Steiner		
6,641,596	B1	11/2003	Lizardi		
7,217,279	B2	5/2007	Reese		
D605,763	S	12/2009	Griffis, III et al.		
D625,816	S	10/2010	Griffis, III et al.		
D649,248	S	11/2011	Griffs, III et al.		
8,152,836	B2 *	4/2012	Surti	.....	606/232
2008/0109037	A1 *	5/2008	Steiner et al.	.....	606/232

\* cited by examiner

*Primary Examiner* — Wan Laymon

(74) *Attorney, Agent, or Firm* — Lerner, David, Littenberg, Krumholz & Mentlik, LLP

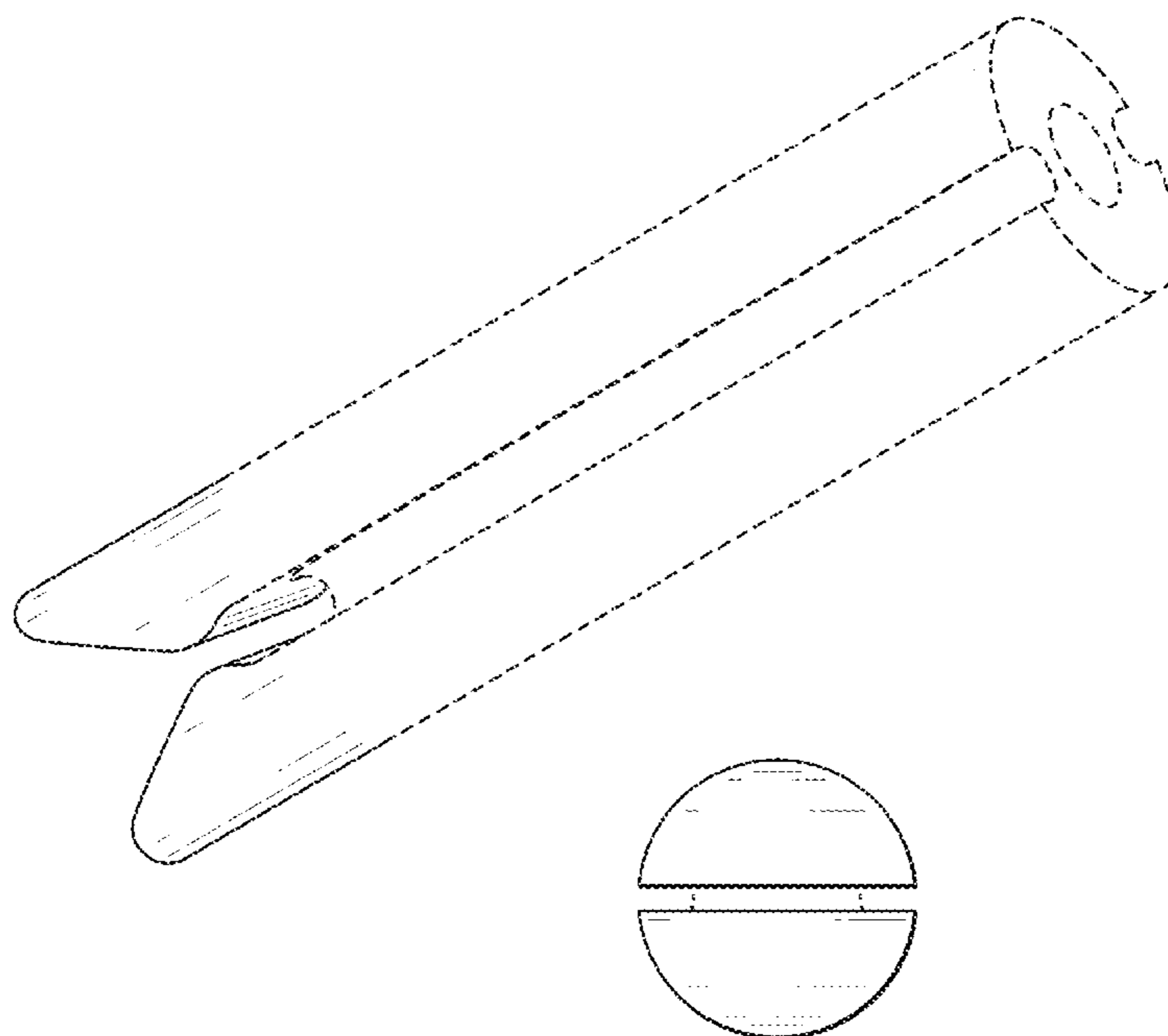
(57) **CLAIM**

The ornamental design for a suture anchor, as shown and described.

**DESCRIPTION**

FIG. 1 is a perspective view of a suture anchor in accordance with our new design;  
FIG. 2 is a right side view of the suture anchor of FIG. 1, the left side view being a mirror image of the right side view;  
FIG. 3 is a front view of the suture anchor of FIG. 1, the rear view being a mirror image of the front view;  
FIG. 4 is a top view of the suture anchor of FIG. 1; and,  
FIG. 5 is a bottom view of the suture anchor of FIG. 1.  
The broken lines shown in the figures represent portions of the suture anchor that form no part of the claimed design.

**1 Claim, 2 Drawing Sheets**



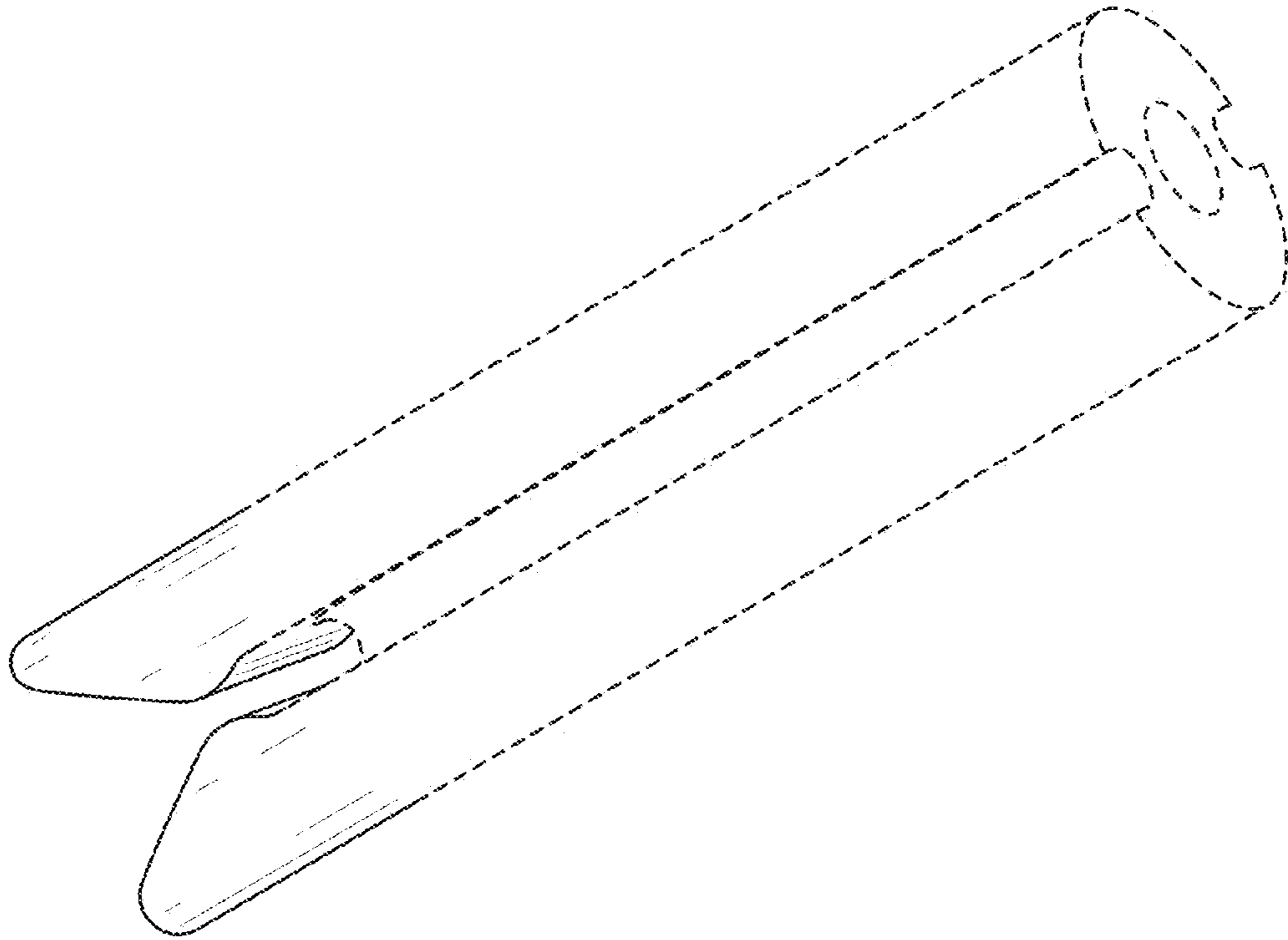


FIG. 1



FIG. 2



FIG. 3

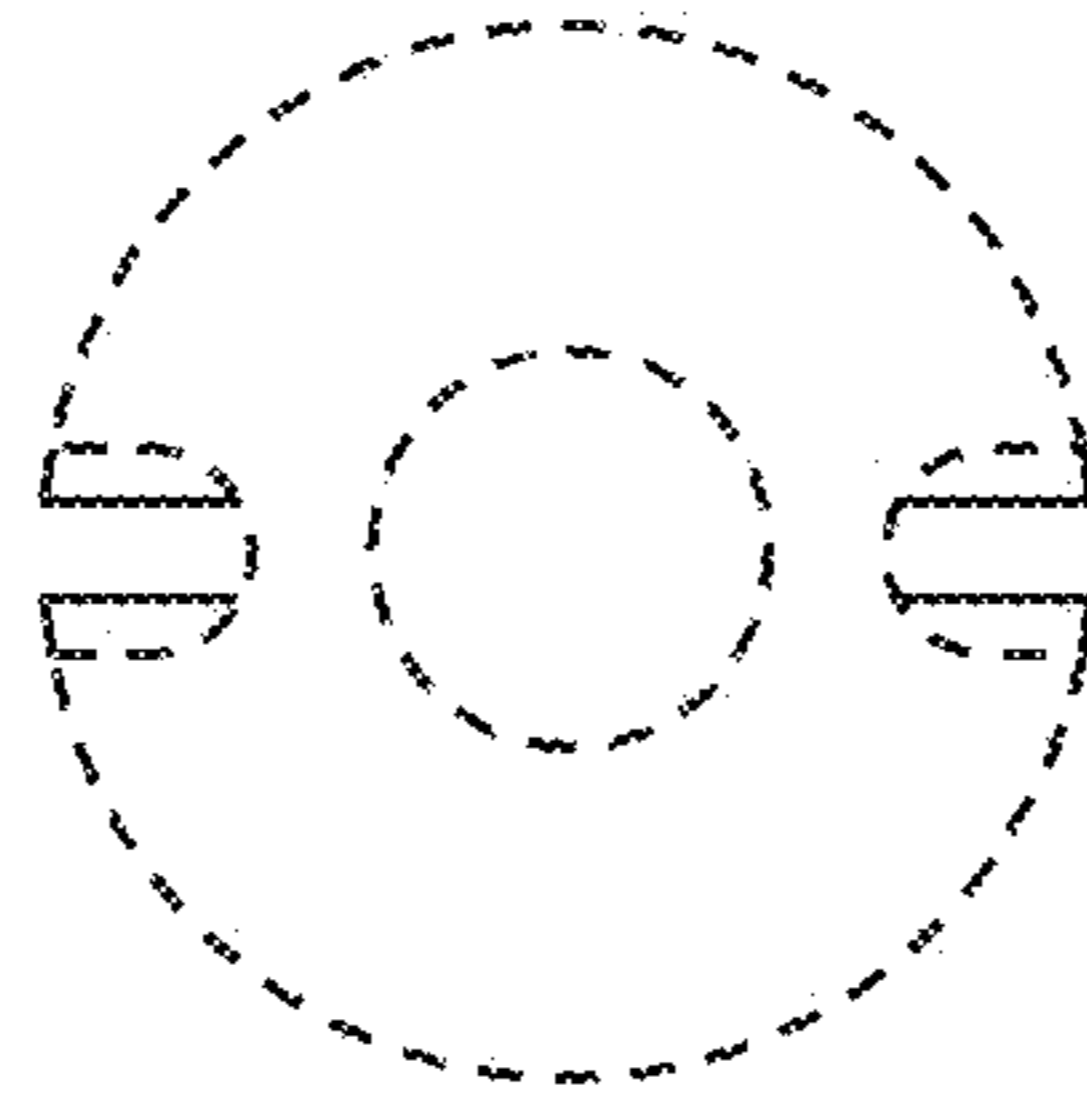


FIG. 4

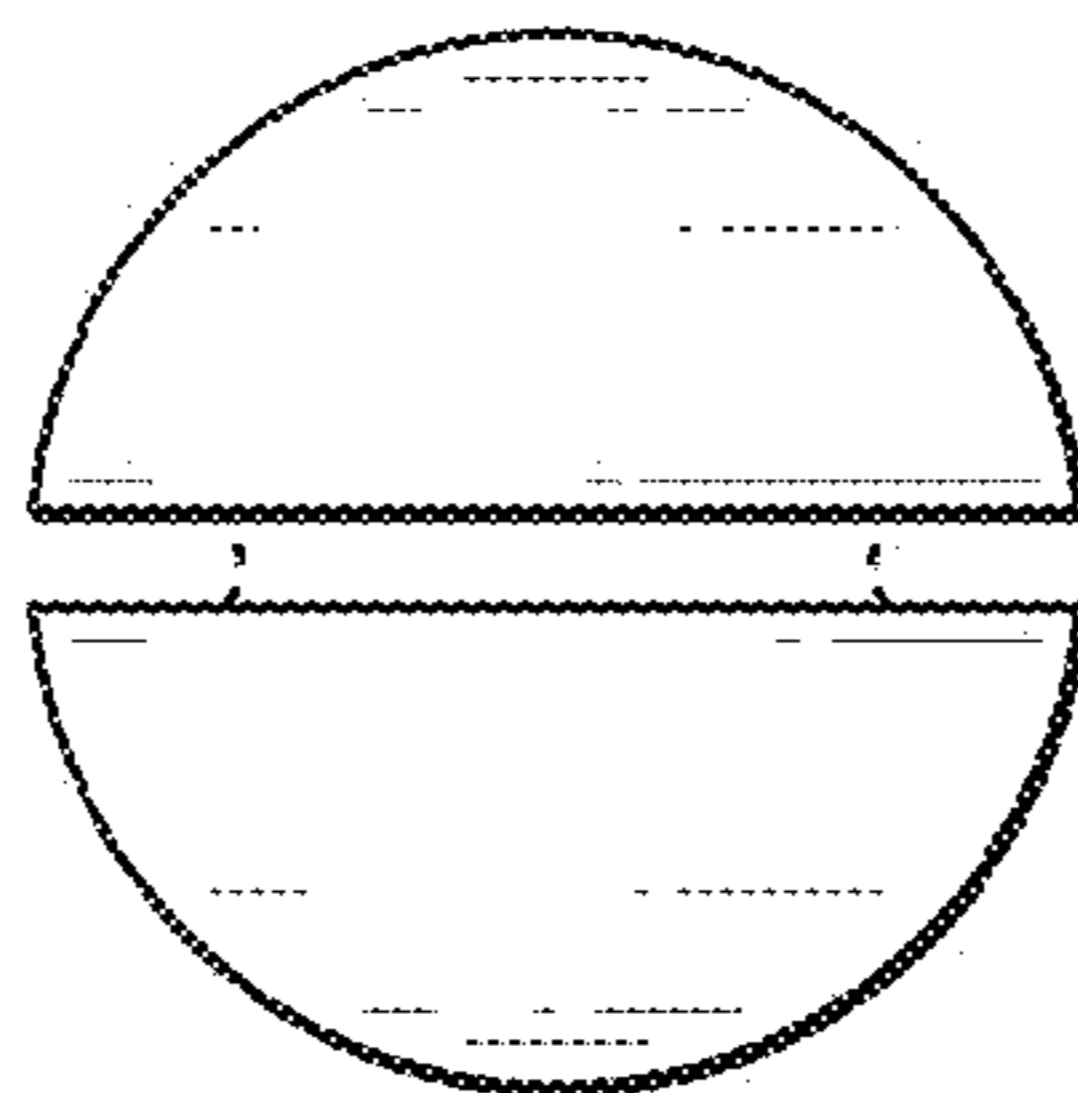


FIG. 5