



US00D710996S

(12) **United States Design Patent**
Bayly

(10) **Patent No.:** **US D710,996 S**

(45) **Date of Patent:** **** Aug. 12, 2014**

- (54) **LINE SEPARATION PROTECTOR**
- (71) Applicant: **Fresenius Medical Care Holdings, Inc.,**
Waltham, MA (US)
- (72) Inventor: **Michelle Bayly,** Abington, MA (US)
- (73) Assignee: **Fresenius Medical Care Holdings, Inc.,**
Waltham, MA (US)

(**) Term: **14 Years**

(21) Appl. No.: **29/476,172**

- (22) Filed: **Dec. 11, 2013**
- (51) **LOC (10) Cl.** **24-02**
- (52) **U.S. Cl.**
USPC **D24/130**
- (58) **Field of Classification Search**
USPC D24/112-114, 129, 130, 127, 133, 186,
D24/108; 606/151, 181, 185; 604/264, 500,
604/506, 272, 115, 164.01-164.09, 533,
604/232, 187, 168.01, 192, 19, 48, 93.01,
604/523, 524, 526, 174; 600/101, 139, 143;
128/200.24, 207.14, 207.15, 912;
24/336, 339, 543

See application file for complete search history.

(56) **References Cited**

U.S. PATENT DOCUMENTS

- 1,911,229 A * 5/1933 Gleim 604/174
- 4,946,455 A 8/1990 Rosen
- D313,277 S 12/1990 Haining
- 5,105,807 A * 4/1992 Kahn et al. 128/207.18
- 5,203,786 A * 4/1993 Vernick 606/151
- 5,269,296 A * 12/1993 Landis 128/207.18
- 5,354,305 A * 10/1994 Lewis et al. 606/152
- 5,536,258 A 7/1996 Folden
- 5,782,808 A 7/1998 Folden
- 5,891,156 A * 4/1999 Gessner et al. 606/117
- 6,436,110 B2 * 8/2002 Bowman et al. 606/151
- 6,722,705 B2 4/2004 Korkor

- 6,783,520 B1 8/2004 Candray et al.
- 6,960,218 B2 * 11/2005 Rennich 606/151
- 7,331,613 B2 2/2008 Schulte
- 8,172,749 B2 * 5/2012 Melsheimer 600/184
- 8,357,173 B2 * 1/2013 Paz et al. 606/153
- 8,388,518 B2 * 3/2013 Sarvazyan et al. 600/131
- 8,636,754 B2 * 1/2014 Hughett et al. 606/151
- 8,728,122 B2 * 5/2014 Crombie et al. 606/232
- 2014/0035273 A1 2/2014 Schnell et al.

OTHER PUBLICATIONS

Pogorelc "Catheter infection startup thinks it's found an overlooked source of contamination in IV tube connector," Medcity News (Sep. 13, 2012).

"HemoSafe™ Patient Connector Clip for Hemodialysis," Fresenius USA, Catalog No. 04-9100-1 (Printed Sep. 24, 2013).

* cited by examiner

Primary Examiner — David Muller

(74) Attorney, Agent, or Firm — Kilyk & Bowersox, P.L.L.C.

(57) **CLAIM**

The ornamental design for a line separation protector, as shown and described.

DESCRIPTION

FIG. 1 is a front, top perspective view showing my new design;

FIG. 2 is a right side view thereof, a left side view being a mirror image thereof;

FIG. 3 is a top, plan view thereof;

FIG. 4 is a bottom view thereof;

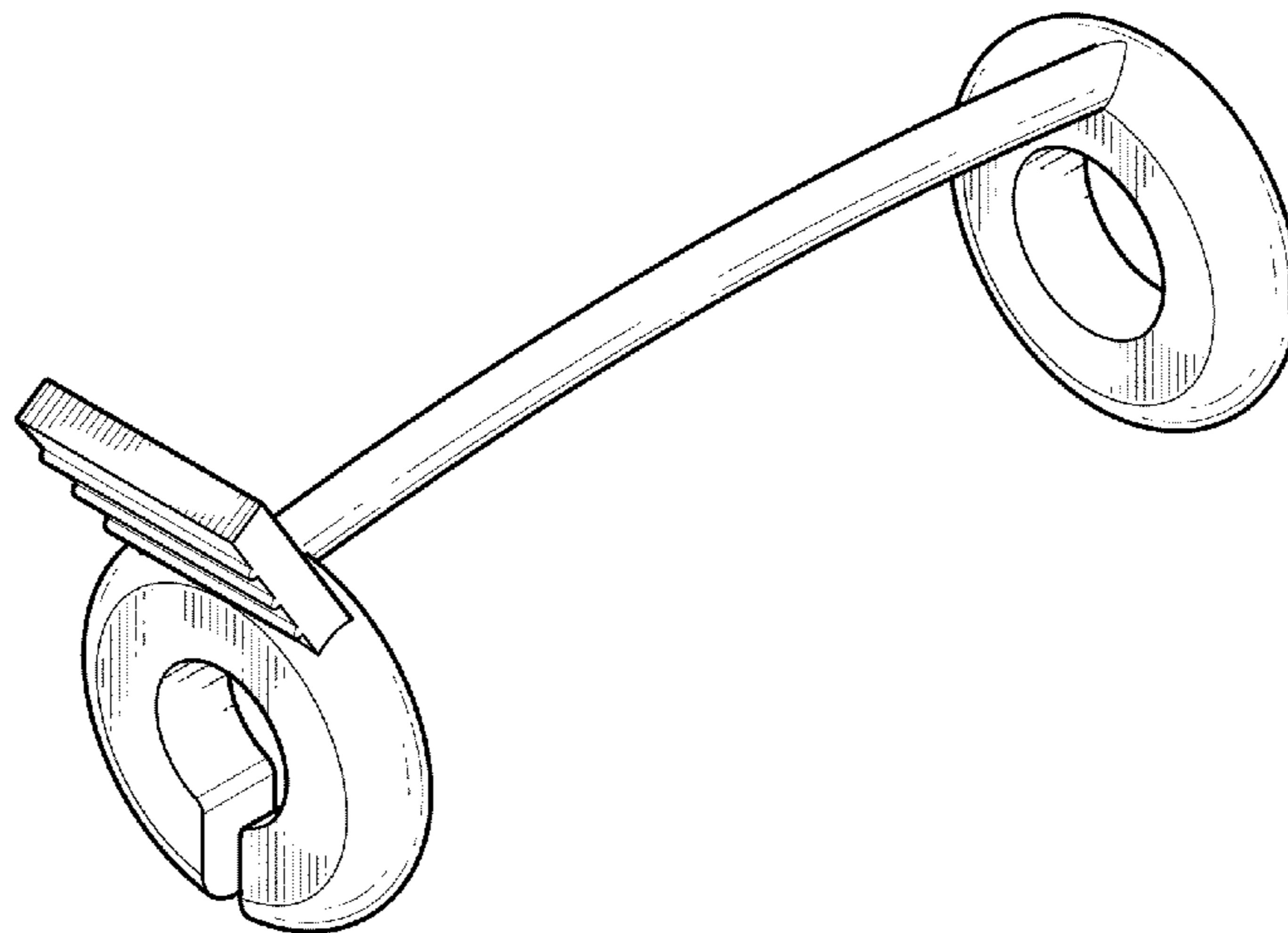
FIG. 5 is a rear view thereof;

FIG. 6 is a front view thereof; and,

FIG. 7 is a back, top perspective view thereof.

The broken line showing of parts of the drawings is included for the purpose of illustrating use and environment and forms no part of the claimed design.

1 Claim, 3 Drawing Sheets



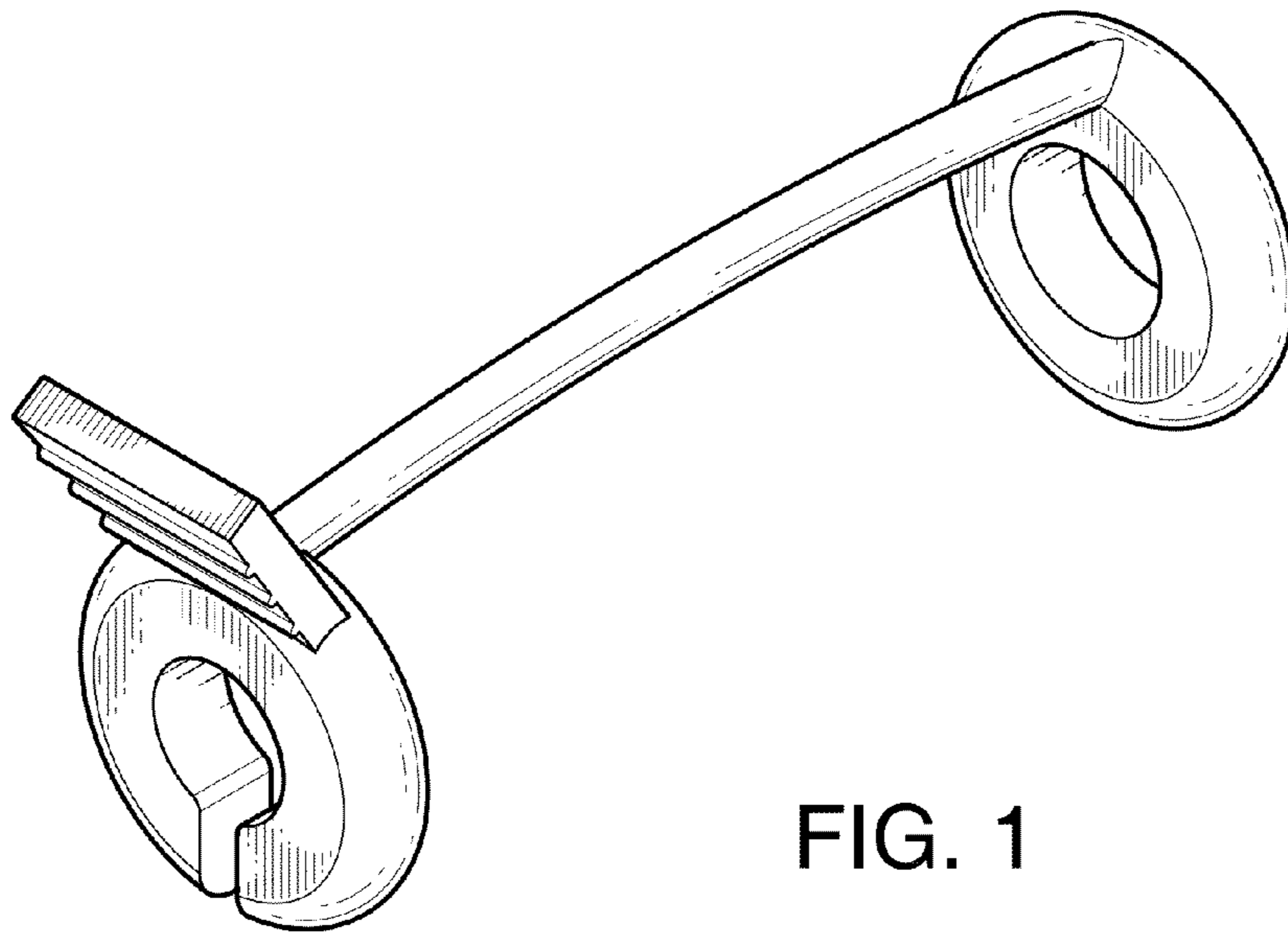


FIG. 1

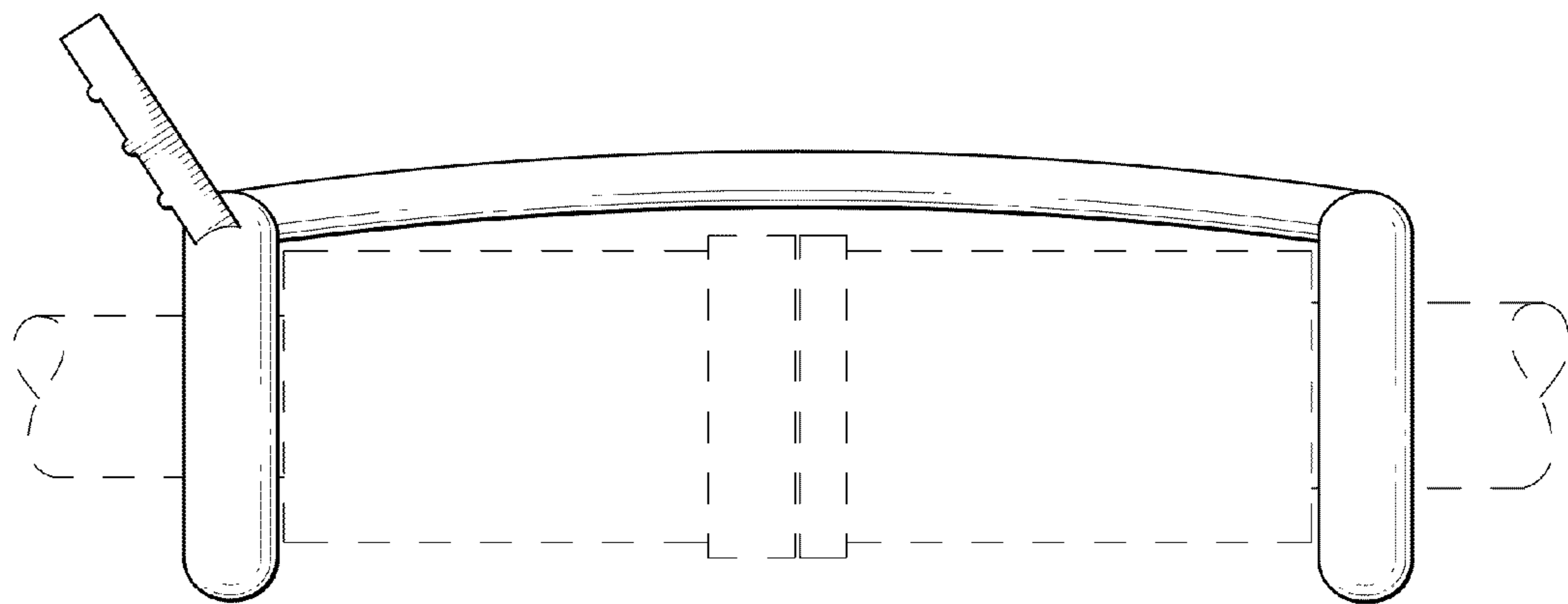


FIG. 2

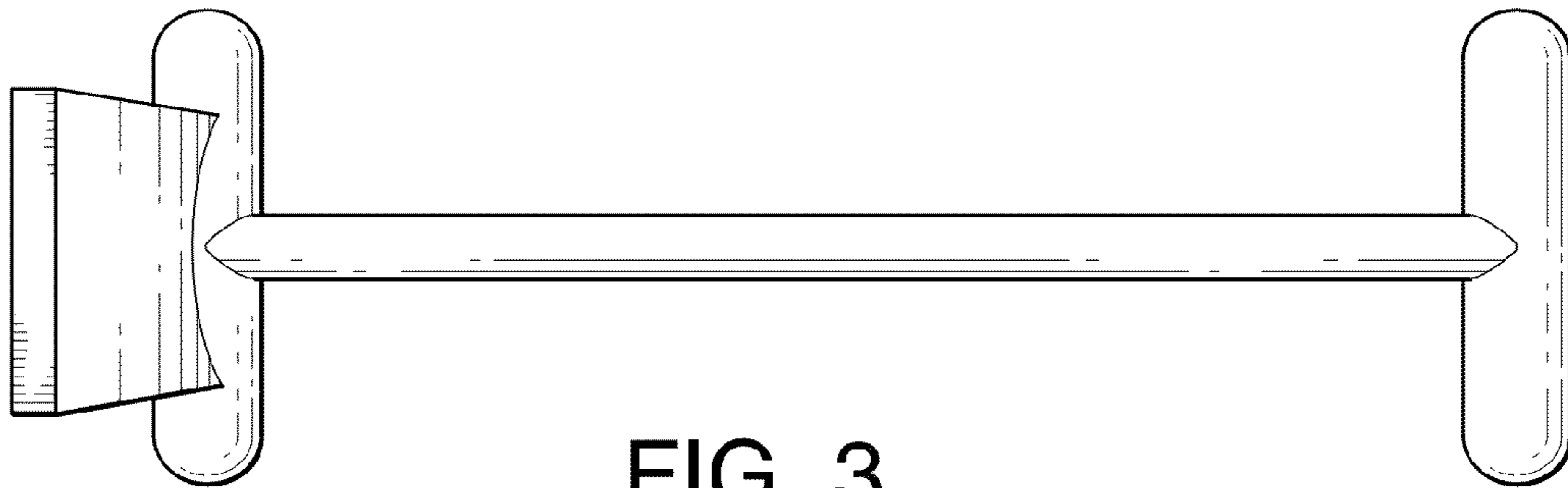


FIG. 3

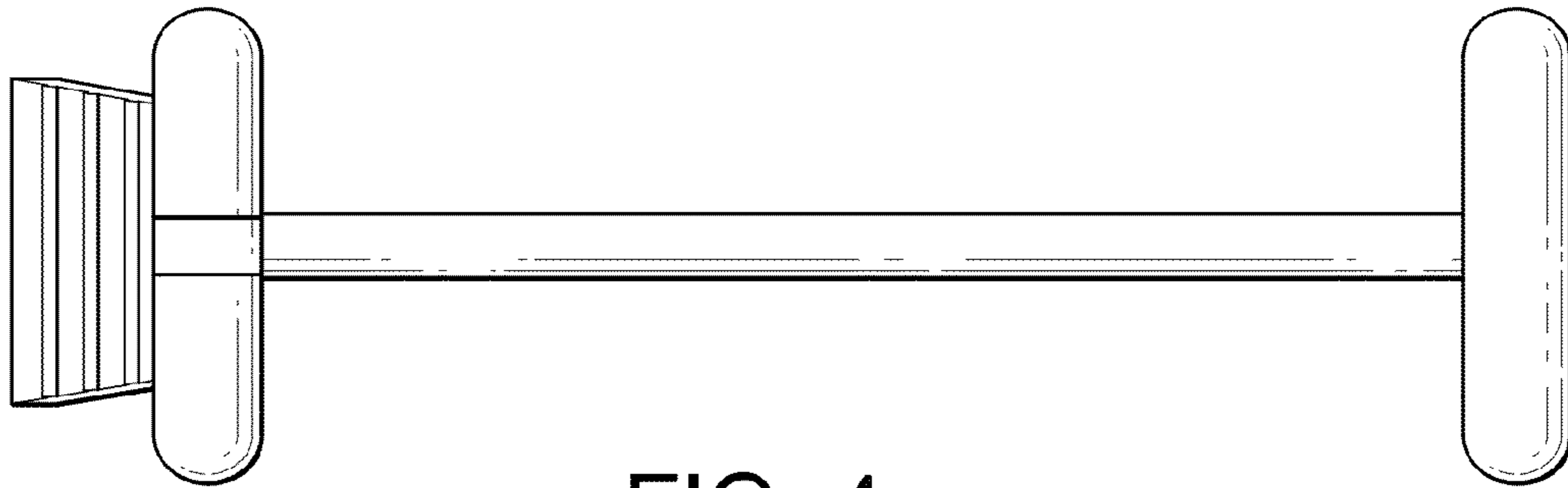


FIG. 4

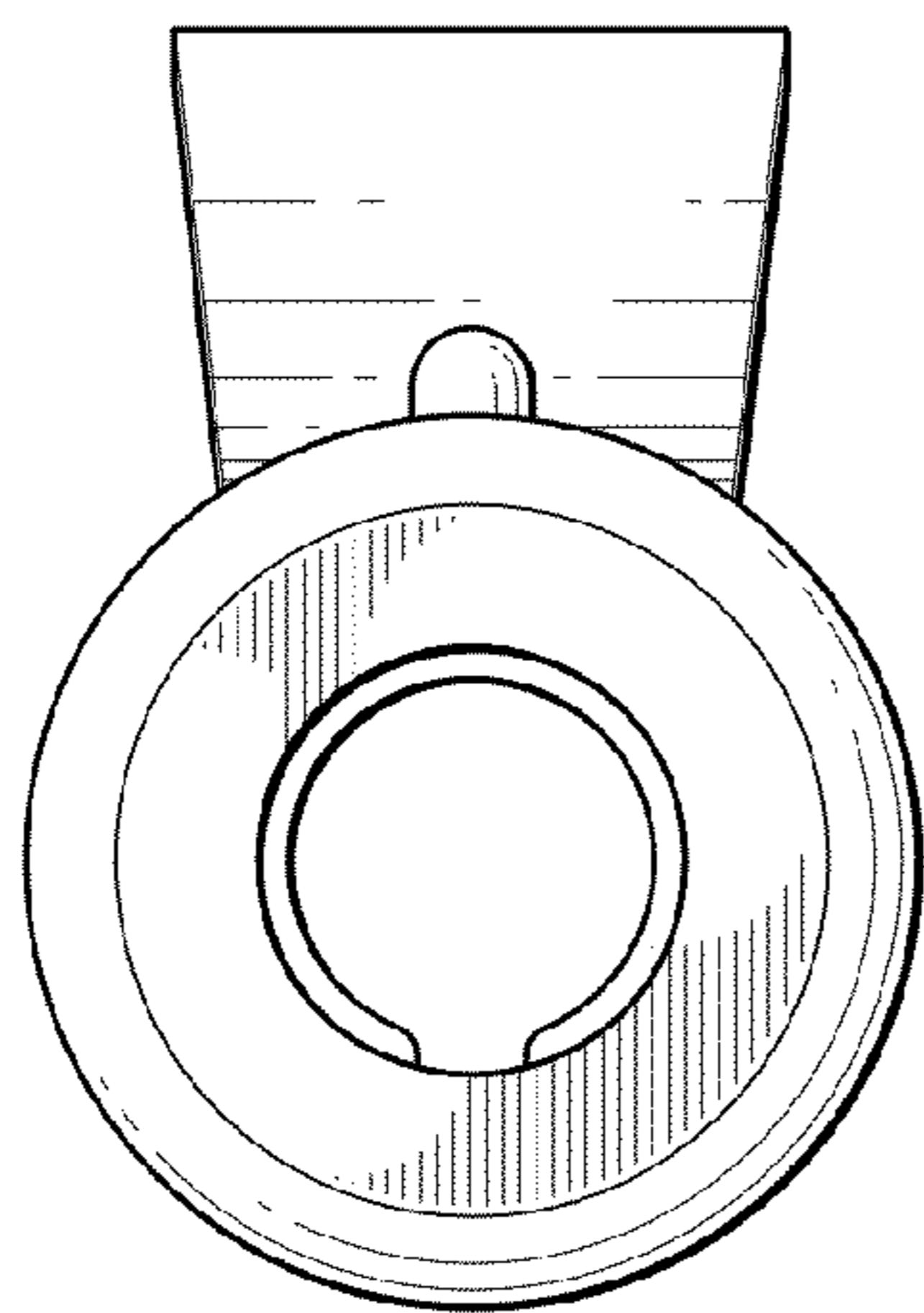


FIG. 5

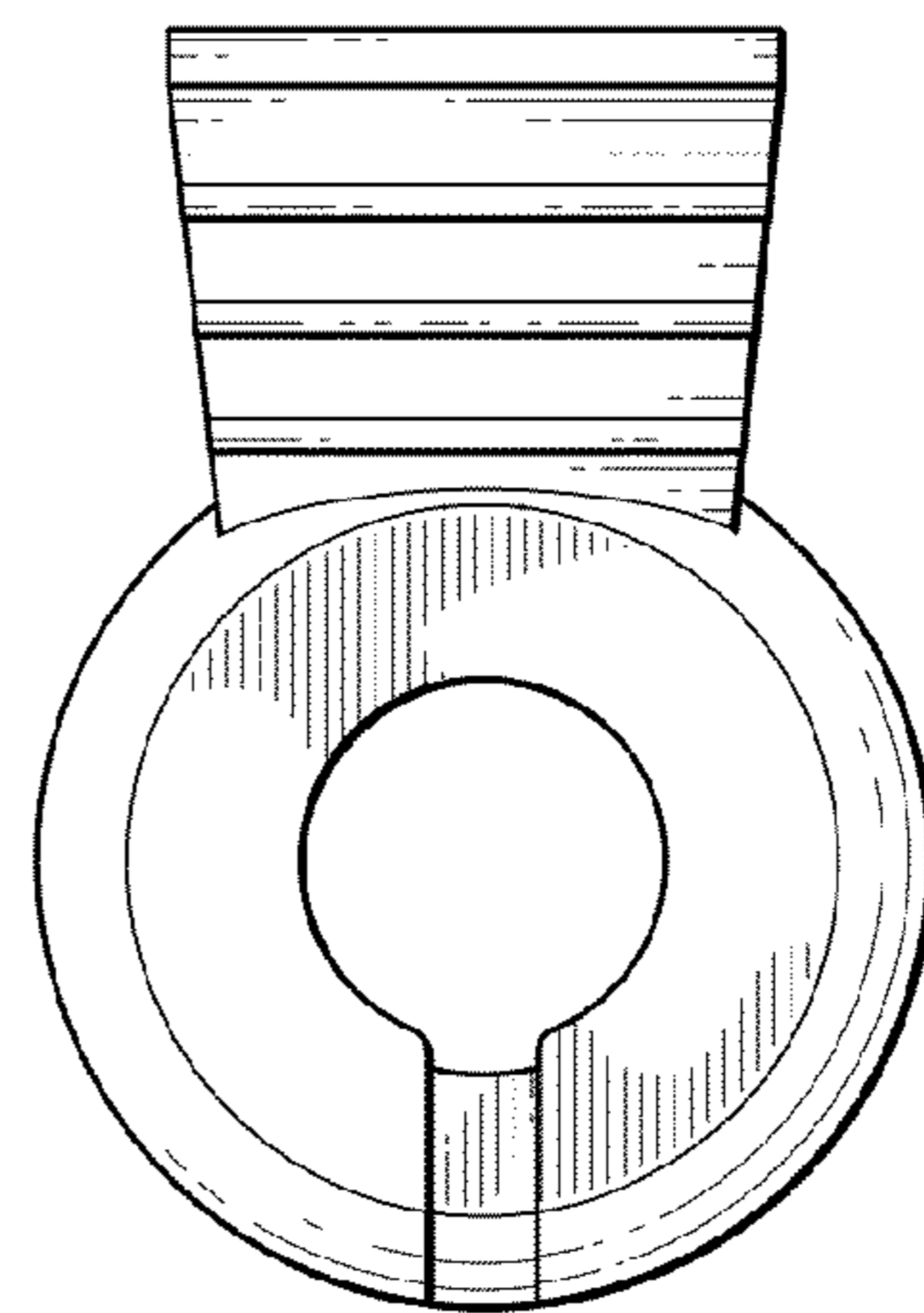


FIG. 6

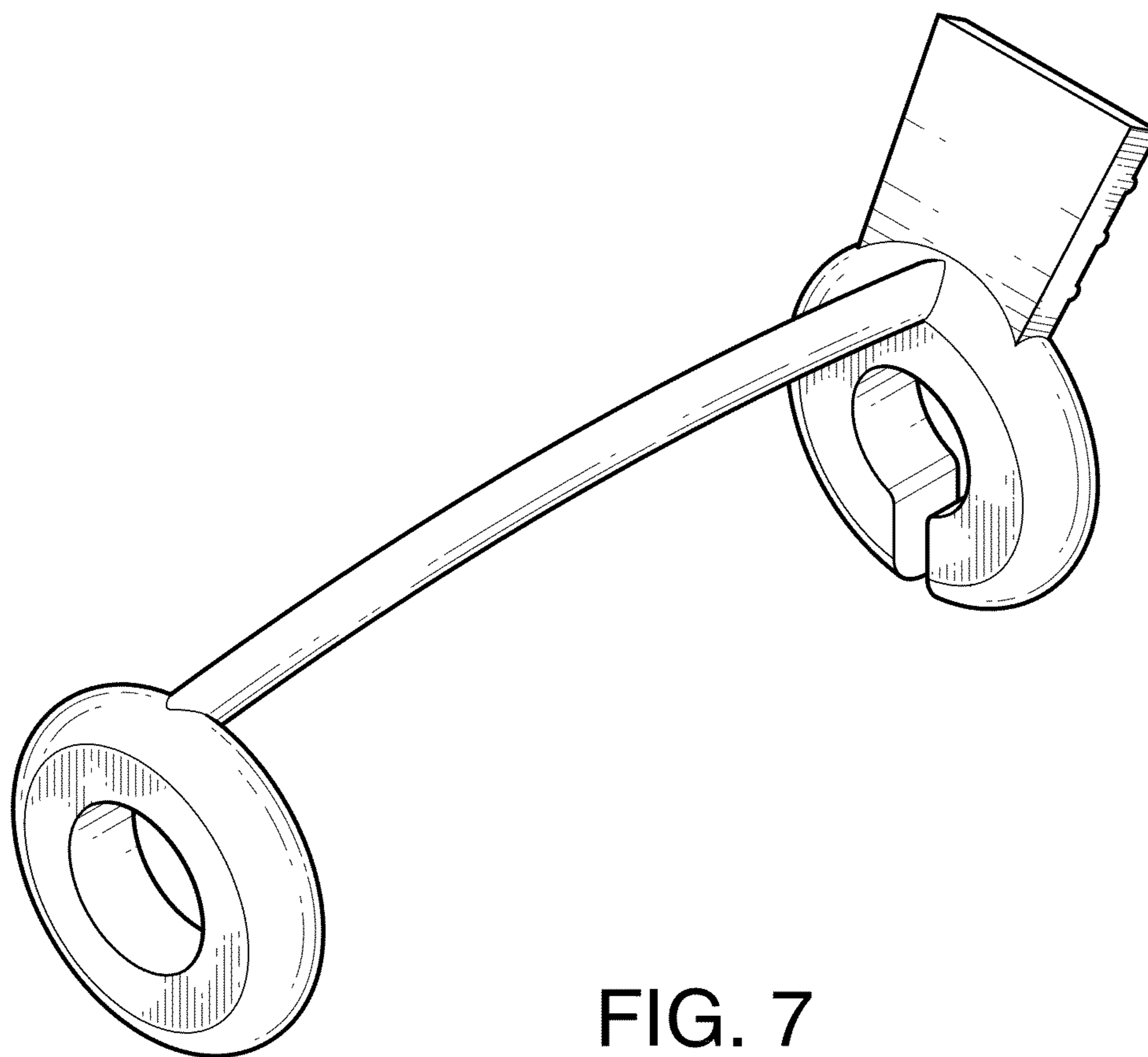


FIG. 7