



US00D710994S

(12) **United States Design Patent**
Yazbeck

(10) **Patent No.:** **US D710,994 S**

(45) **Date of Patent:** **** Aug. 12, 2014**

(54) **FEEDING TUBE HOLDER**

(71) Applicant: **Michael D. Yazbeck**, Braintree, MA
(US)

(72) Inventor: **Michael D. Yazbeck**, Braintree, MA
(US)

(**) Term: **14 Years**

(21) Appl. No.: **29/455,358**

(22) Filed: **May 20, 2013**

(51) **LOC (10) Cl.** **24-02**

(52) **U.S. Cl.**
USPC **D24/128**

(58) **Field of Classification Search**
USPC D24/127-130, 112-114; 604/263, 264,
604/162, 268, 164.08, 174-180;
128/DIG. 26; D8/354, 356, 355, 394,
D8/71, 72; 248/689

See application file for complete search history.

(56) **References Cited**

U.S. PATENT DOCUMENTS

2,218,311	A	10/1940	Elliott	
3,220,434	A	11/1965	Garth	
D256,661	S *	9/1980	Graham	D8/71
4,367,859	A *	1/1983	Lamon	D24/128
4,504,992	A	3/1985	Herron et al.	
D297,053	S	8/1988	Janzen	
5,263,941	A	11/1993	Cockrill	
5,304,145	A	4/1994	Blair	
D373,823	S	9/1996	Baldwin	
D425,771	S *	5/2000	Dearing et al.	D8/72
6,135,983	A	10/2000	Andrews et al.	

D437,640	S *	2/2001	Breda et al.	D24/128
D468,014	S *	12/2002	Girod	D24/128
D512,893	S *	12/2005	Cowan	D8/71
7,458,551	B2 *	12/2008	Wang et al.	248/689
D592,304	S *	5/2009	Kuehfuss	D24/128
D622,377	S	8/2010	Jackson	
7,850,595	B2	12/2010	White	
D651,884	S *	1/2012	Jansson et al.	D8/71
D655,593	S *	3/2012	Wagner et al.	D8/71
D657,054	S	4/2012	Bacon	
D660,425	S *	5/2012	Bigelow	D24/128
8,220,764	B2 *	7/2012	Ziaylek	248/689
8,360,953	B2	1/2013	White	
D692,132	S *	10/2013	Damron	D24/128

* cited by examiner

Primary Examiner — David Muller

(74) *Attorney, Agent, or Firm* — John P. McGonagle

(57) **CLAIM**

The ornamental design for a feeding tube holder, as shown and described.

DESCRIPTION

FIG. 1 is a front perspective view of a feeding tube holder showing my new design;

FIG. 2 is rear view thereof;

FIG. 3 is a side view thereof, the opposite side being a mirror image thereof;

FIG. 4 is a front view thereof;

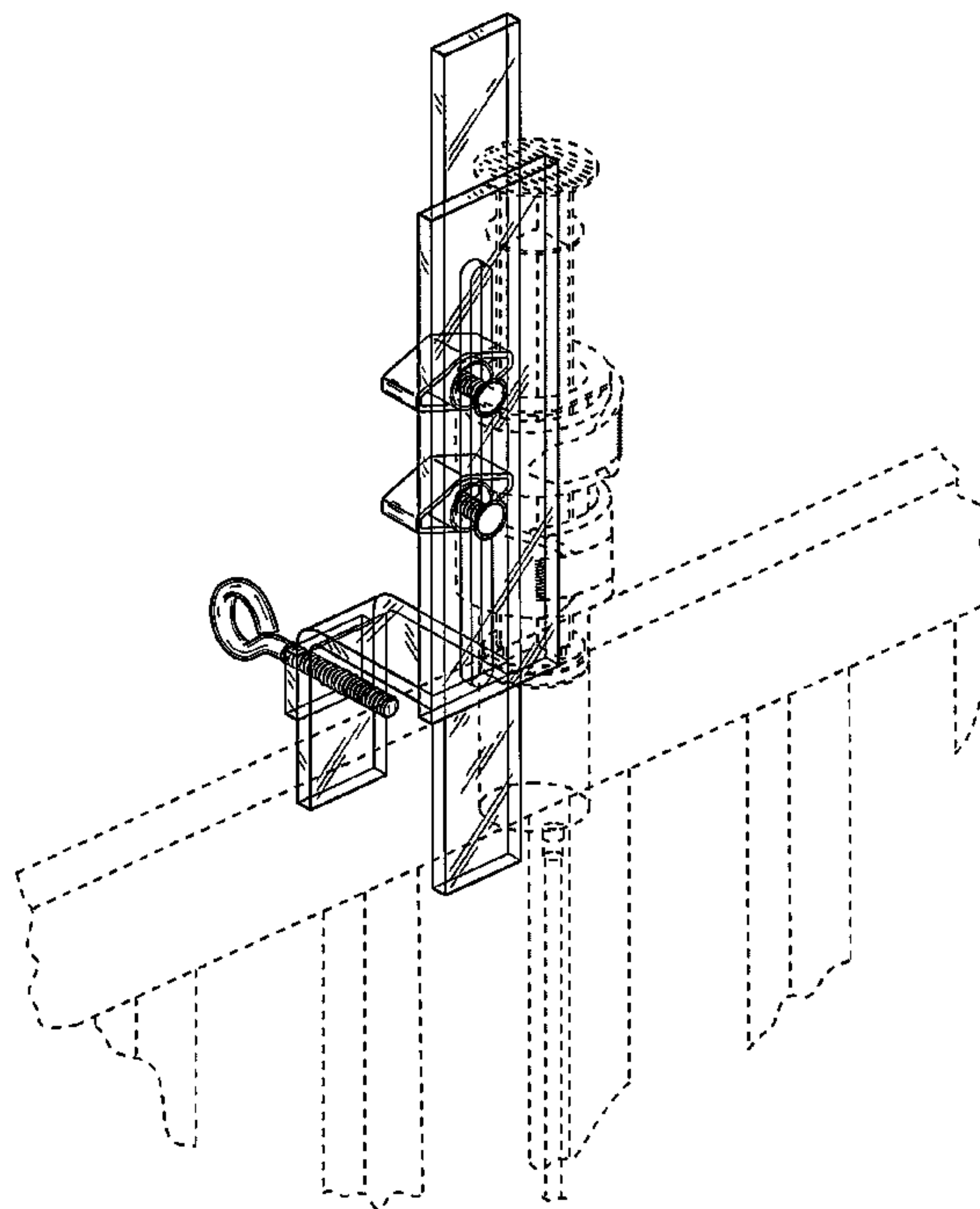
FIG. 5 is a top view thereof;

FIG. 6 is a bottom view thereof; and,

FIG. 7 is a front perspective view thereof.

The feeding tube and bed portion shown in broken lines form no part of the claimed design.

1 Claim, 4 Drawing Sheets



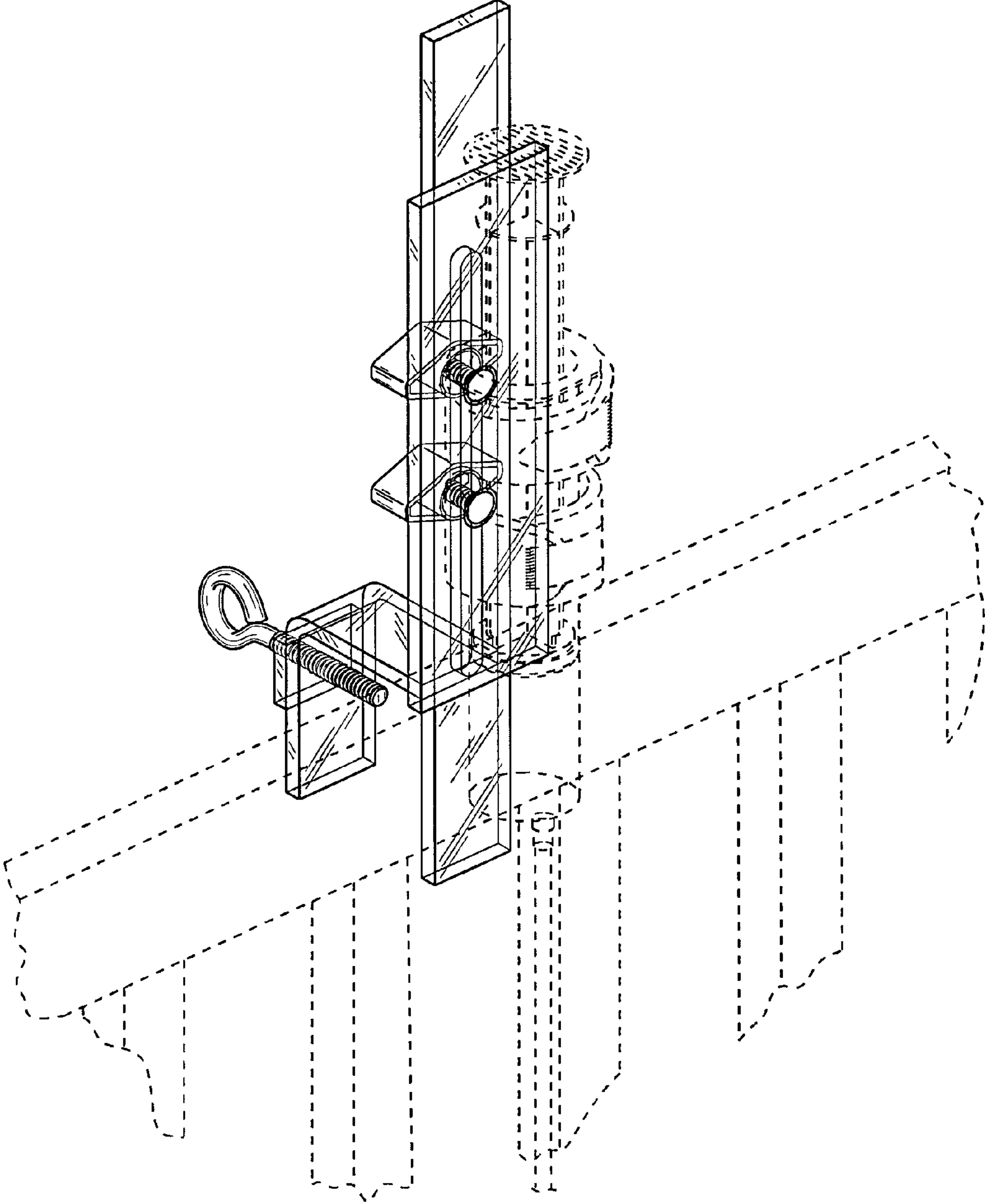


FIG. 1

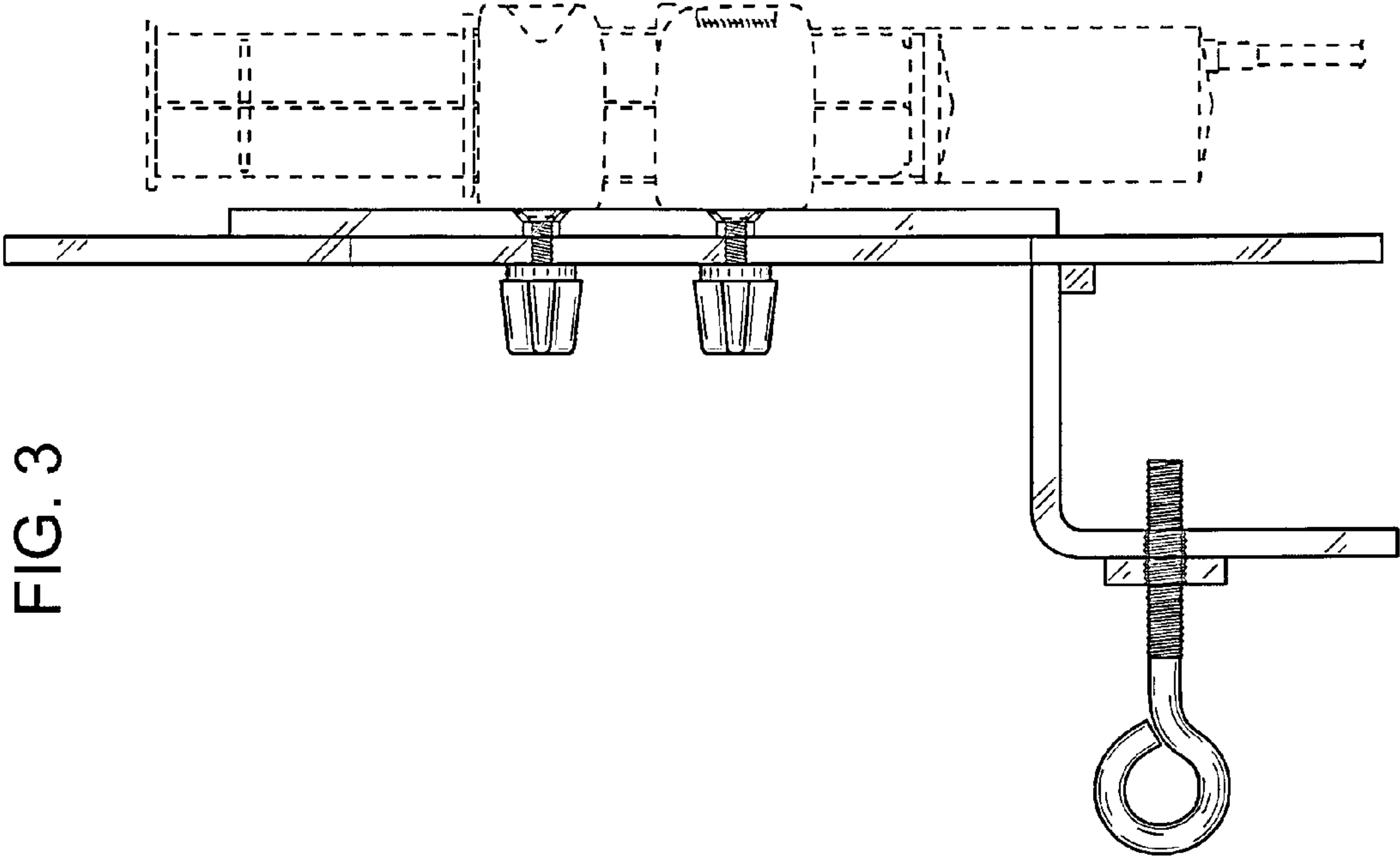


FIG. 3

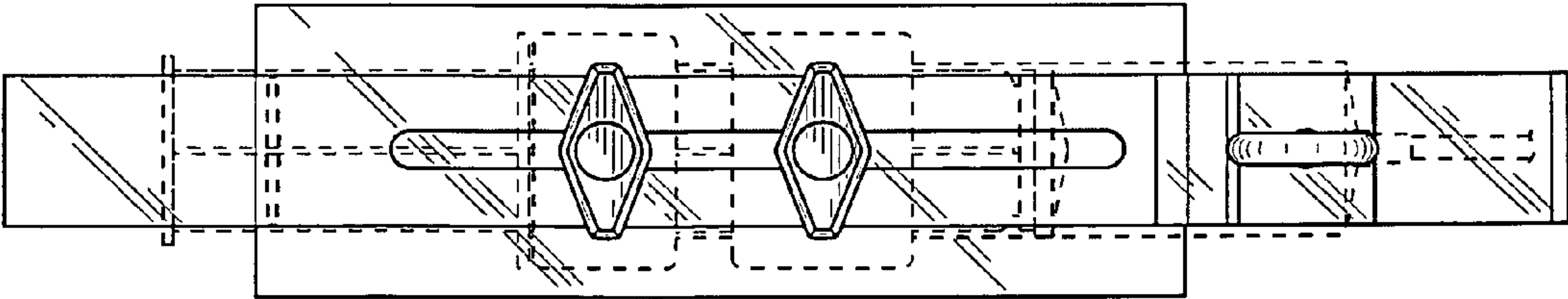


FIG. 2

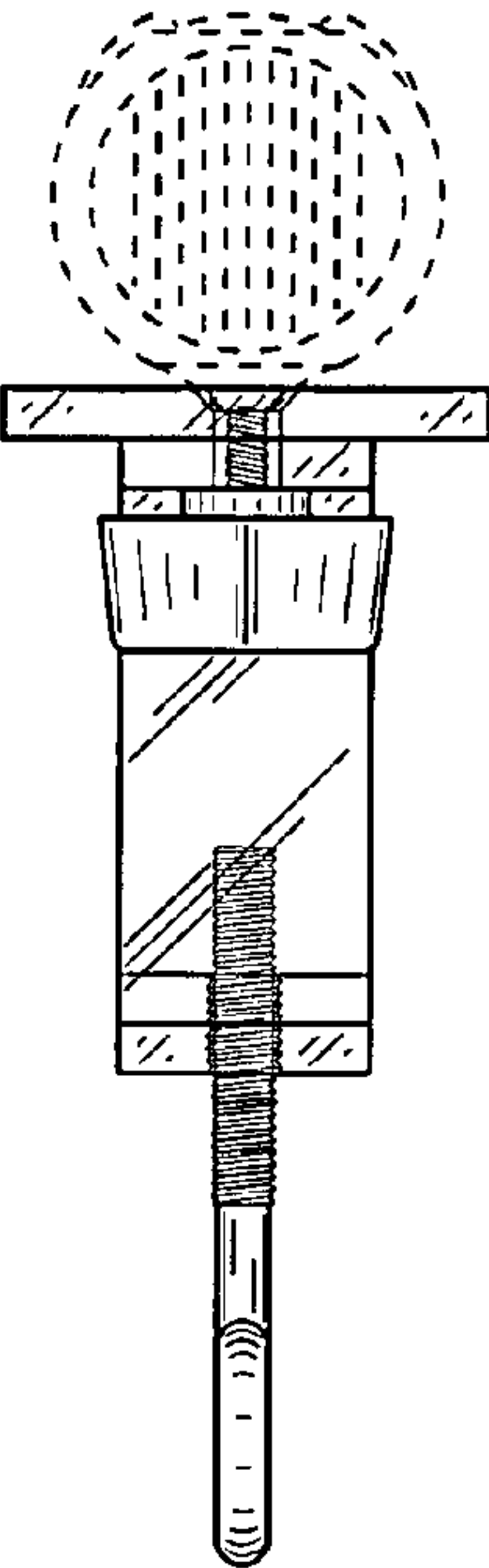


FIG. 5

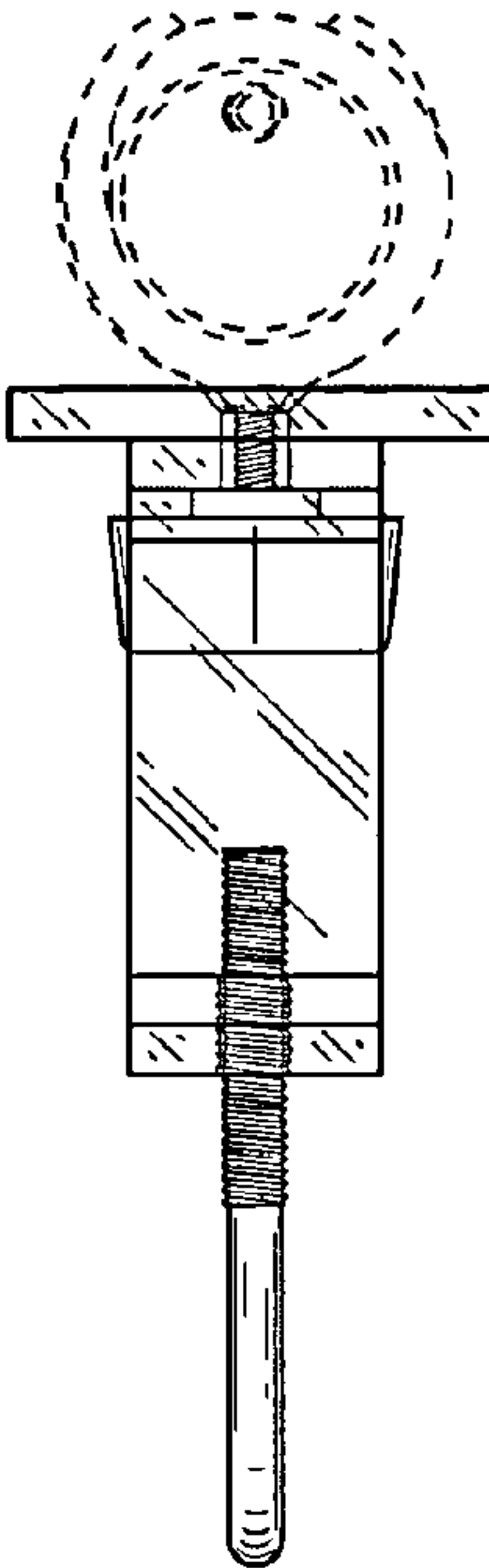


FIG. 6

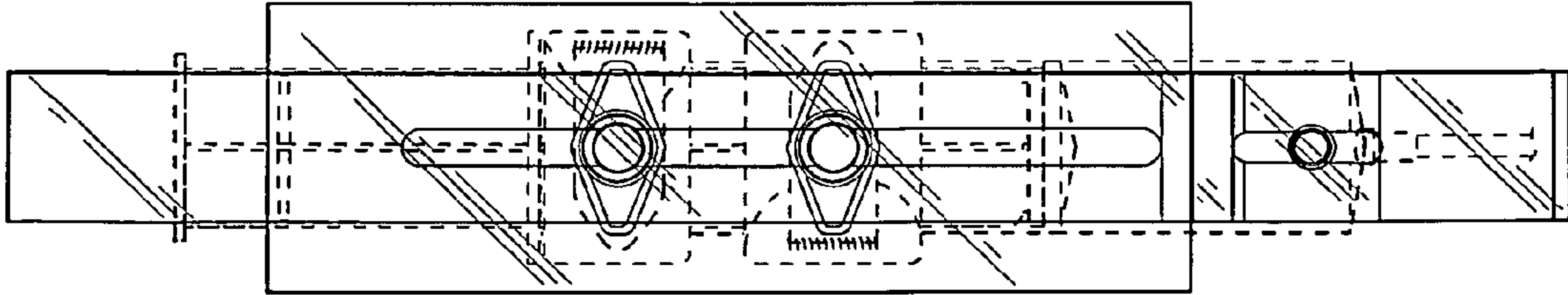


FIG. 4

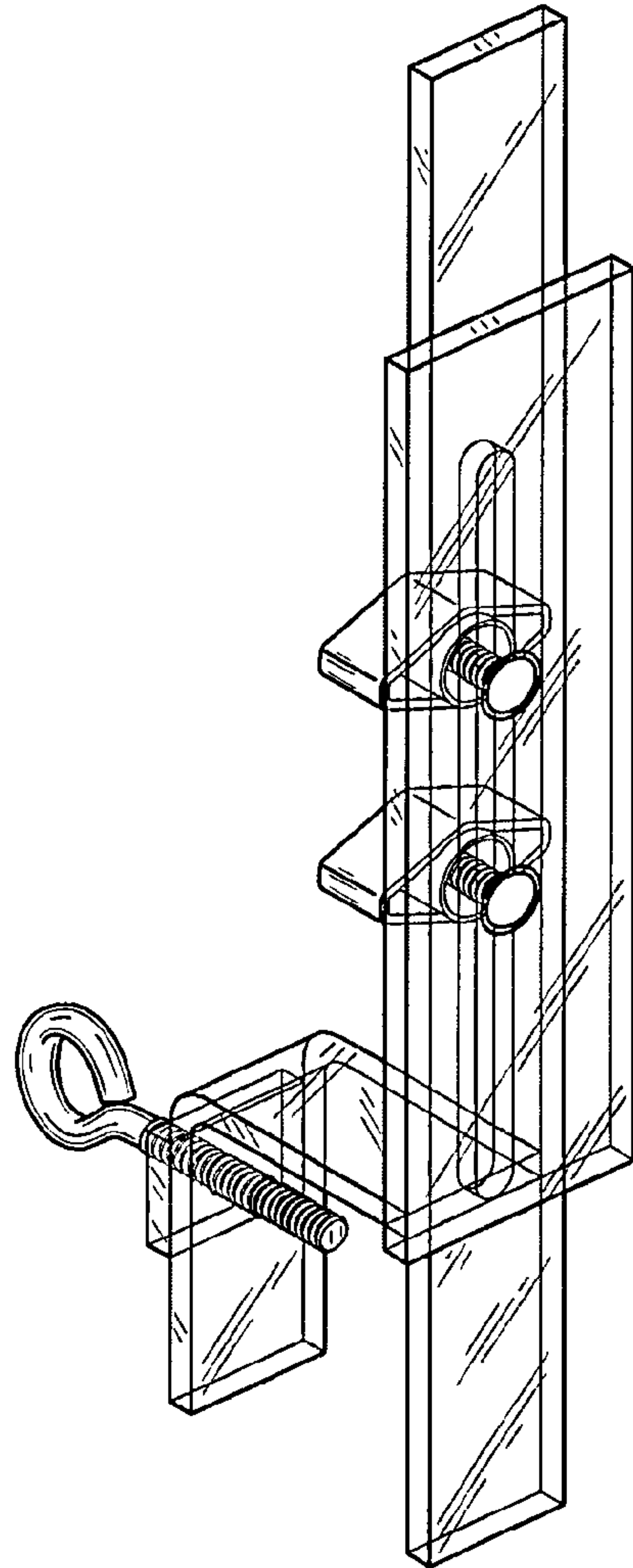


FIG. 7