



US00D710993S

(12) **United States Design Patent**
DeCoste, Jr.

(10) **Patent No.:** **US D710,993 S**

(45) **Date of Patent:** **** Aug. 12, 2014**

(54) **UNIT DOSE VIAL**

(75) **Inventor:** **Peter J. DeCoste, Jr.**, Holbrook, MA (US)

(73) **Assignee:** **HealthStar, Inc.**, Randolph, MA (US)

(**) **Term:** **14 Years**

(21) **Appl. No.:** **29/414,922**

(22) **Filed:** **Mar. 6, 2012**

(51) **LOC (10) Cl.** **24-02**

(52) **U.S. Cl.**
USPC **D24/115**

(58) **Field of Classification Search**
USPC D24/117, 115, 223, 226; 222/209, 207, 222/215, 541.6, 541.4, 541.9; D9/695-699, D9/529; 206/528; 604/3, 298; 215/47, 48; 128/200.24

See application file for complete search history.

(56) **References Cited**

U.S. PATENT DOCUMENTS

3,993,233	A	11/1976	Welker, III et al.	
D255,492	S *	6/1980	Meierhoefer	D24/117
D309,097	S	7/1990	Price	
D312,209	S	11/1990	Morrow et al.	
5,046,627	A *	9/1991	Hansen	D24/115
D330,160	S	10/1992	Umekawa	
D345,211	S *	3/1994	Bologna	D9/696
5,409,125	A	4/1995	Kimber et al.	
D362,390	S	9/1995	Weiler	
D369,212	S *	4/1996	Snell	D9/696
D375,352	S *	11/1996	Bologna	D24/115
D379,663	S	6/1997	Pearson et al.	
D392,184	S	3/1998	Weiler	
6,173,852	B1	1/2001	Browne	
D458,366	S *	6/2002	Hellberg et al.	D24/115
D458,676	S *	6/2002	Berglund et al.	D24/115
D492,028	S	6/2004	Masuda et al.	
D492,406	S	6/2004	Masuda et al.	

D492,407	S *	6/2004	Masuda et al.	D24/115
D515,936	S	2/2006	Ko	
D517,207	S	3/2006	Poynter	
D518,891	S *	4/2006	Strong	D24/115
D534,648	S *	1/2007	Zahn et al.	D24/115
D538,424	S *	3/2007	Zahn et al.	D24/115
D539,903	S	4/2007	Strong	
D544,644	S	6/2007	Hartstock et al.	
D544,958	S	6/2007	Wurtz et al.	
D551,760	S *	9/2007	Zahn et al.	D9/696
D565,193	S	3/2008	Price	
D571,002	S	6/2008	Starnes	
D641,642	S	7/2011	Caldwell et al.	
D666,289	S *	8/2012	DeCoste	D24/115
2008/0083691	A1	4/2008	Poynter et al.	

OTHER PUBLICATIONS

Romelag Product No. 2048 Ampule, Jun. 6, 1990.
Romelag Drawing No. 3682A-A25B60, Jun. 13, 2007.
Romelag Drawing No. 3682A-A09B60, Jun. 13, 2007.

* cited by examiner

Primary Examiner — David Muller

(74) *Attorney, Agent, or Firm* — Altman & Martin; Steven K. Martin

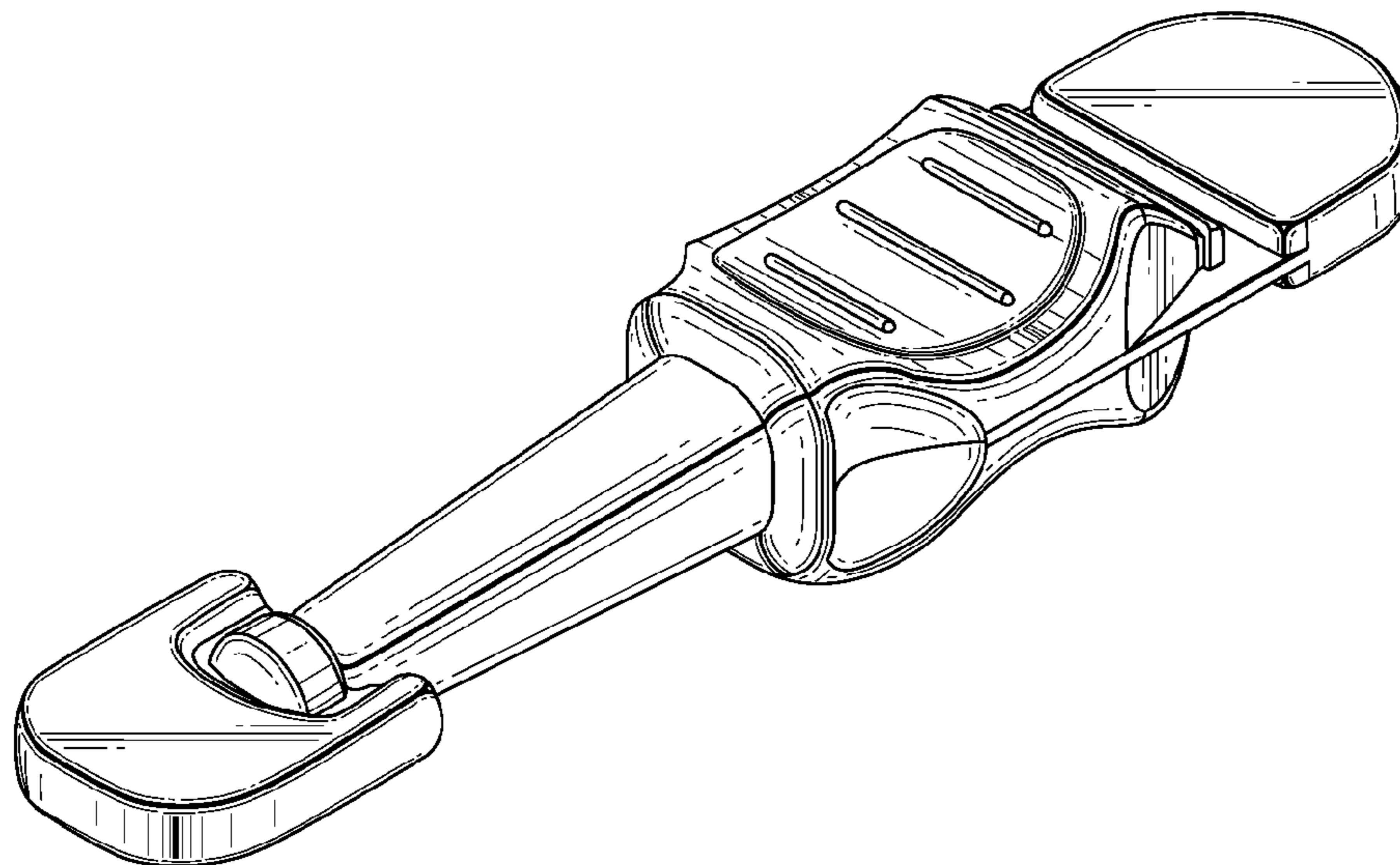
(57) **CLAIM**

The ornamental design for the unit dose vial, substantially as shown and described.

DESCRIPTION

FIG. 1 is an isometric view showing the unit dose vial of my new design;
FIG. 2 is a top plan view of the unit dose vial, the bottom plan view being the same;
FIG. 3 is a side elevational view of the unit dose vial, the opposite side elevational view being the same;
FIG. 4 is an end elevational view of the unit dose vial; and,
FIG. 5 is an end elevational view of the unit dose vial of the end opposite the end shown in FIG. 4.

1 Claim, 4 Drawing Sheets



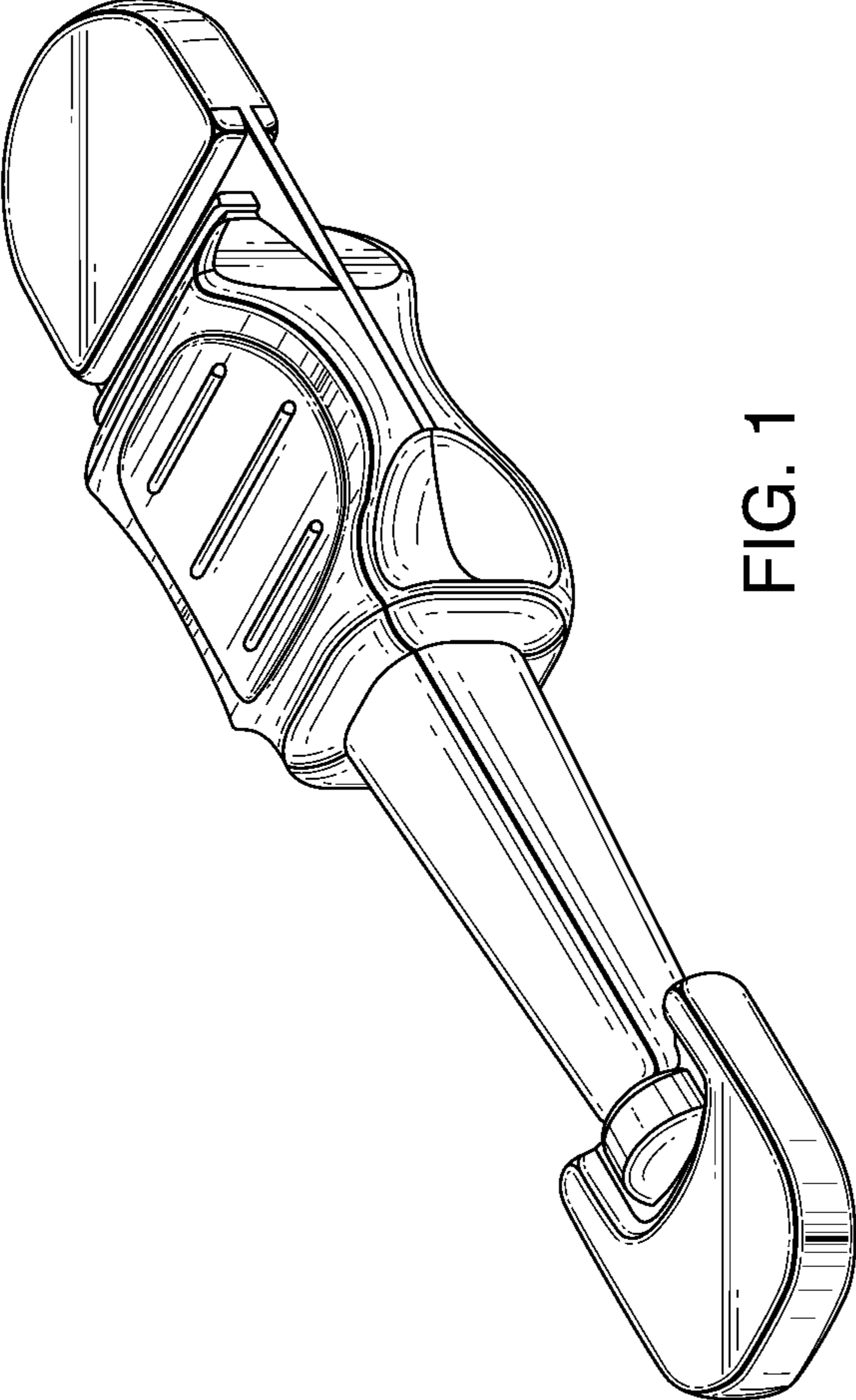


FIG. 1

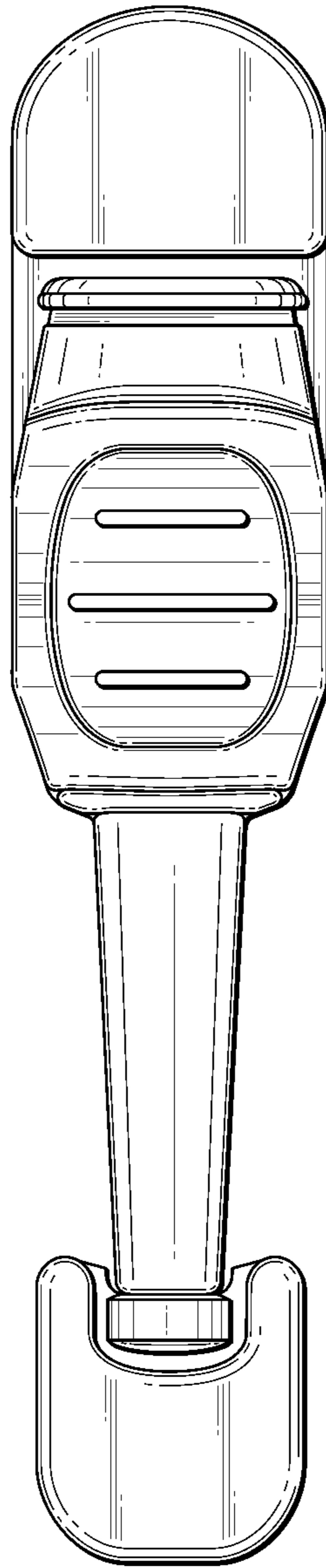


FIG. 2

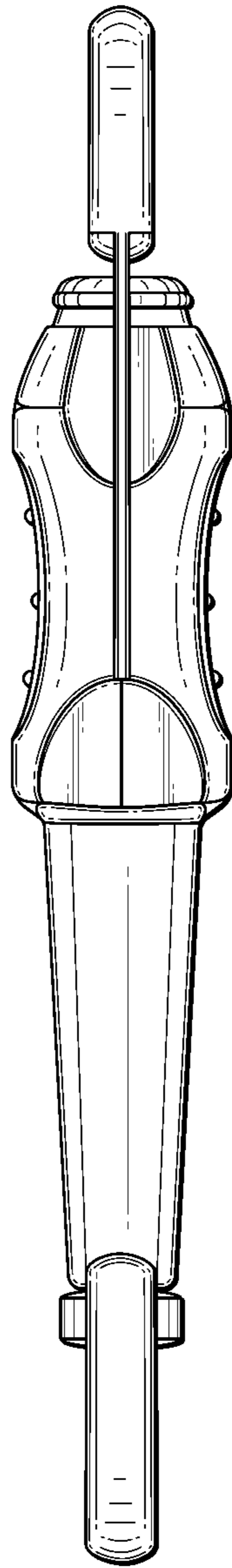


FIG. 3

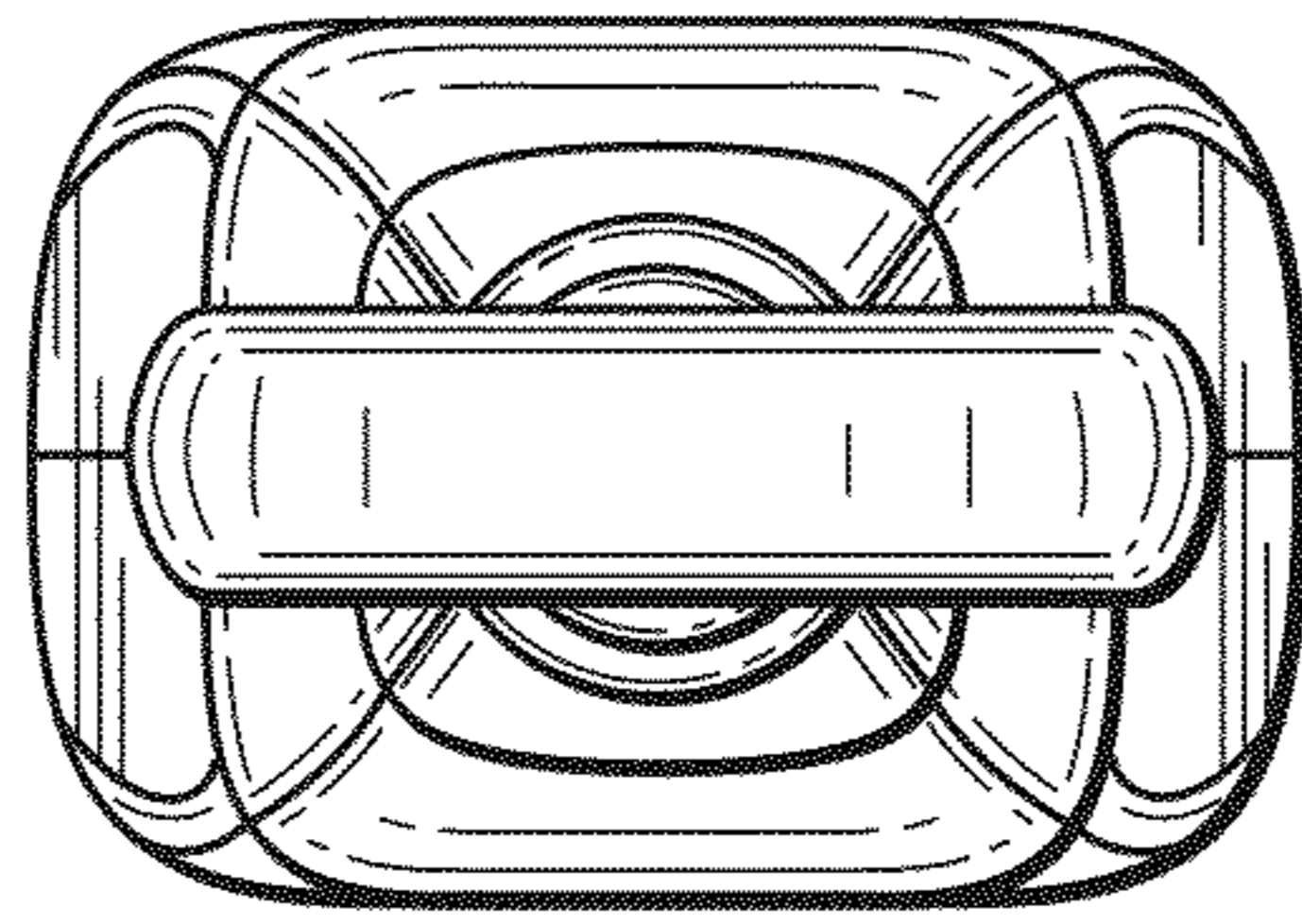


FIG. 4

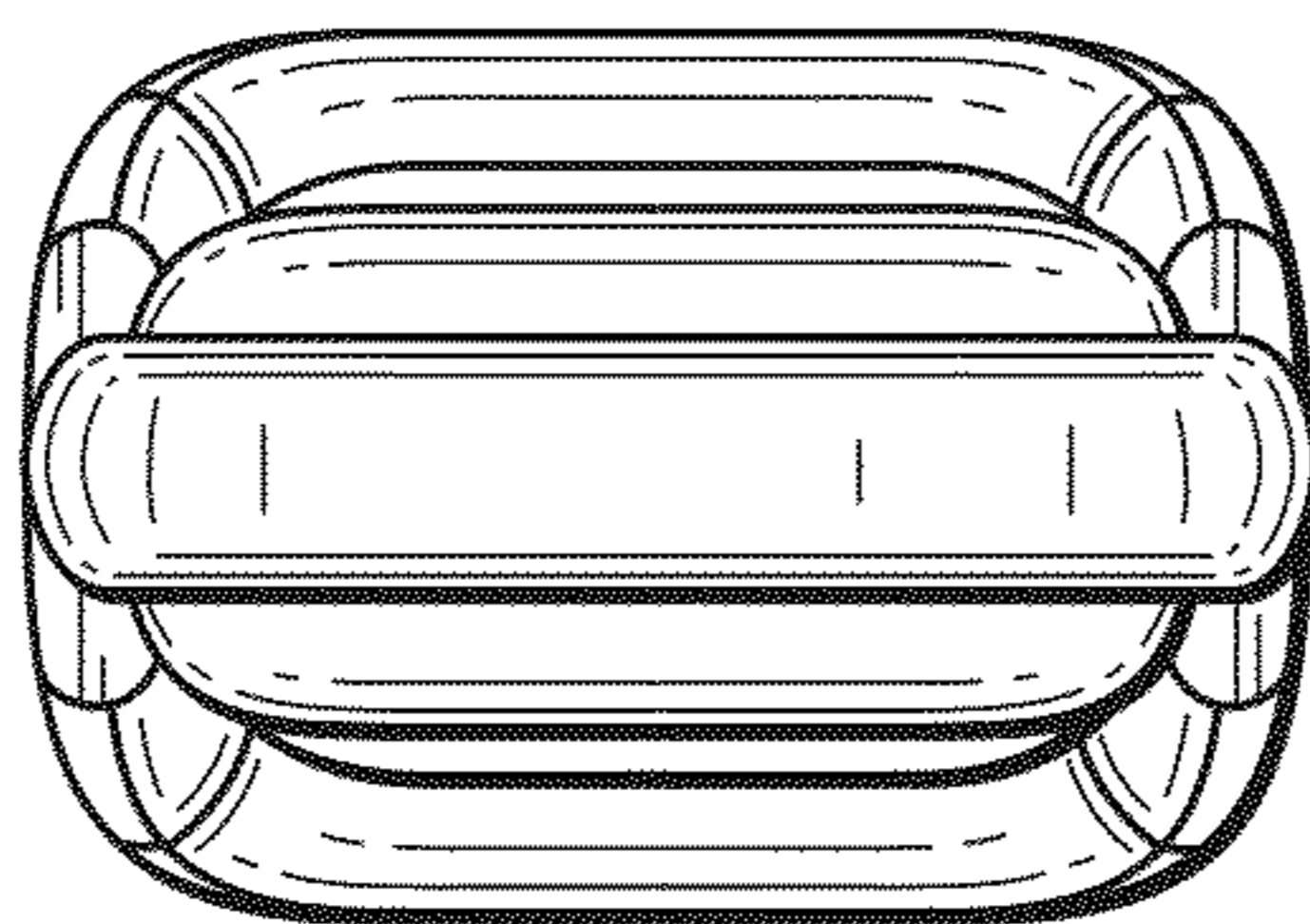


FIG. 5