



US00D710992S

(12) **United States Design Patent**
Dubuc et al.

(10) **Patent No.:** **US D710,992 S**

(45) **Date of Patent:** **** Aug. 12, 2014**

(54) **MEDICAL INJECTOR PEN**

(75) Inventors: **Fabien Dubuc**, Grenoble (FR); **Patrick Le Gal**, Isere (FR); **Aurele Hurtis**, Nanterre (FR); **Francis Lovell**, Montreuil (FR)

(73) Assignee: **Becton Dickinson France**, Le Pont-de-Claix (FR)

(**) Term: **14 Years**

(21) Appl. No.: **29/405,943**

(22) Filed: **Nov. 8, 2011**

(51) **LOC (10) Cl.** **24-02**

(52) **U.S. Cl.**
USPC **D24/113**

(58) **Field of Classification Search**
USPC D24/112-114, 133, 130, 127; 606/181, 606/185; 604/232, 187, 158, 164.08, 192, 604/263, 163, 181, 184, 198, 227; D19/41, D19/43, 45-51

See application file for complete search history.

(56) **References Cited**

U.S. PATENT DOCUMENTS

D366,902 S *	2/1996	Takahashi	D19/51
5,593,388 A	1/1997	Phillips		
5,599,314 A	2/1997	Neill		
5,688,251 A	11/1997	Chanoch		
5,961,495 A	10/1999	Walters et al.		
D426,299 S *	6/2000	Bydlon et al.	D24/112
D501,253 S *	1/2005	Bainton	D24/114
D531,308 S	10/2006	Bendek et al.		
D567,938 S *	4/2008	Shinohara	D24/114
D567,939 S *	4/2008	Mattigka	D24/114
D568,935 S *	5/2008	Qiu et al.	D19/48
D577,071 S *	9/2008	Qiu et al.	D19/51
D579,496 S *	10/2008	Qiu et al.	D19/48
D585,997 S *	2/2009	Adam et al.	D24/133
D600,794 S *	9/2009	Tyce	D24/113

D629,509 S *	12/2010	Julian et al.	D24/113
D641,782 S *	7/2011	Lira-Nunez et al.	D19/48
D641,785 S *	7/2011	Lira-Nunez et al.	D19/48

OTHER PUBLICATIONS

Co-pending Design U.S. Appl. No. 29/408,772, filed Dec. 16, 2011.
Co-pending Design U.S. Appl. No. 29/408,769, filed Dec. 16, 2011.
Co-pending Design U.S. Appl. No. 29/405,935, filed Nov. 8, 2011.
Co-pending Design U.S. Appl. No. 29/405,938, filed Nov. 8, 2011.
Co-pending Design U.S. Appl. No. 29/405,945, filed Nov. 8, 2011.
Co-pending Design U.S. Appl. No. 29/405,947, filed Nov. 8, 2011.
Co-pending Design U.S. Appl. No. 29/405,930, filed Nov. 8, 2011.
Co-pending Design U.S. Appl. No. 29/405,925, filed Nov. 8, 2011.
Co-pending Design U.S. Appl. No. 29/405,936, filed Nov. 8, 2011.
Co-pending Design U.S. Appl. No. 29/405,940, filed Nov. 8, 2011.

* cited by examiner

Primary Examiner — David Muller

(74) *Attorney, Agent, or Firm* — The Webb Law Firm

(57) **CLAIM**

The ornamental design for a medical injector pen, as shown and described.

DESCRIPTION

FIG. 1 is a perspective view of a medical injector pen having a removable cover engaged therewith in accordance with the present invention.

FIG. 2 is a left side view thereof.

FIG. 3 is a right side view thereof.

FIG. 4 is a front view thereof.

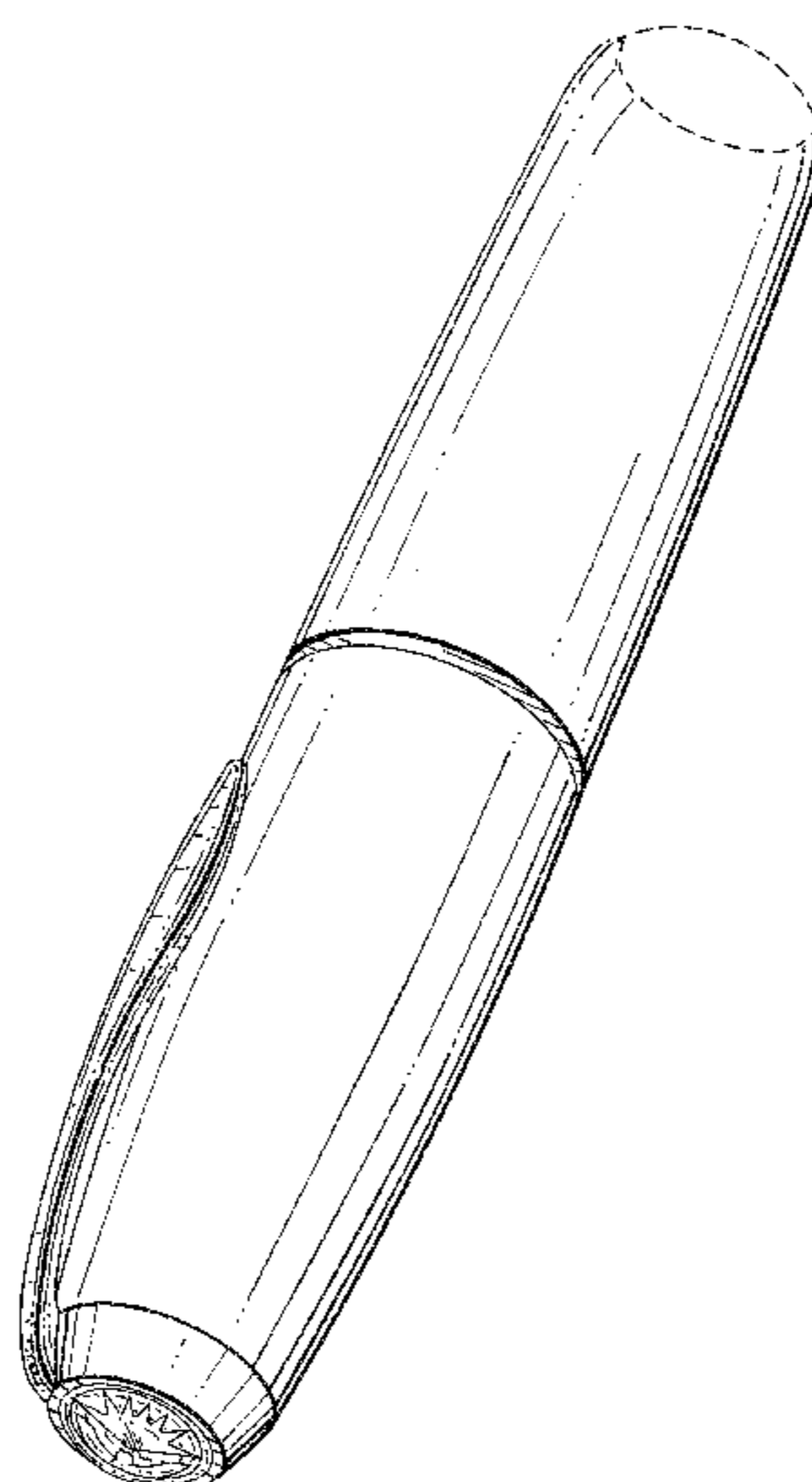
FIG. 5 is a rear view thereof.

FIG. 6 is a bottom view thereof; and,

FIG. 7 is a top view thereof.

The broken line showing of parts of the drawings is included for the purpose of illustrating use and environment and forms no part of the claimed design.

1 Claim, 6 Drawing Sheets



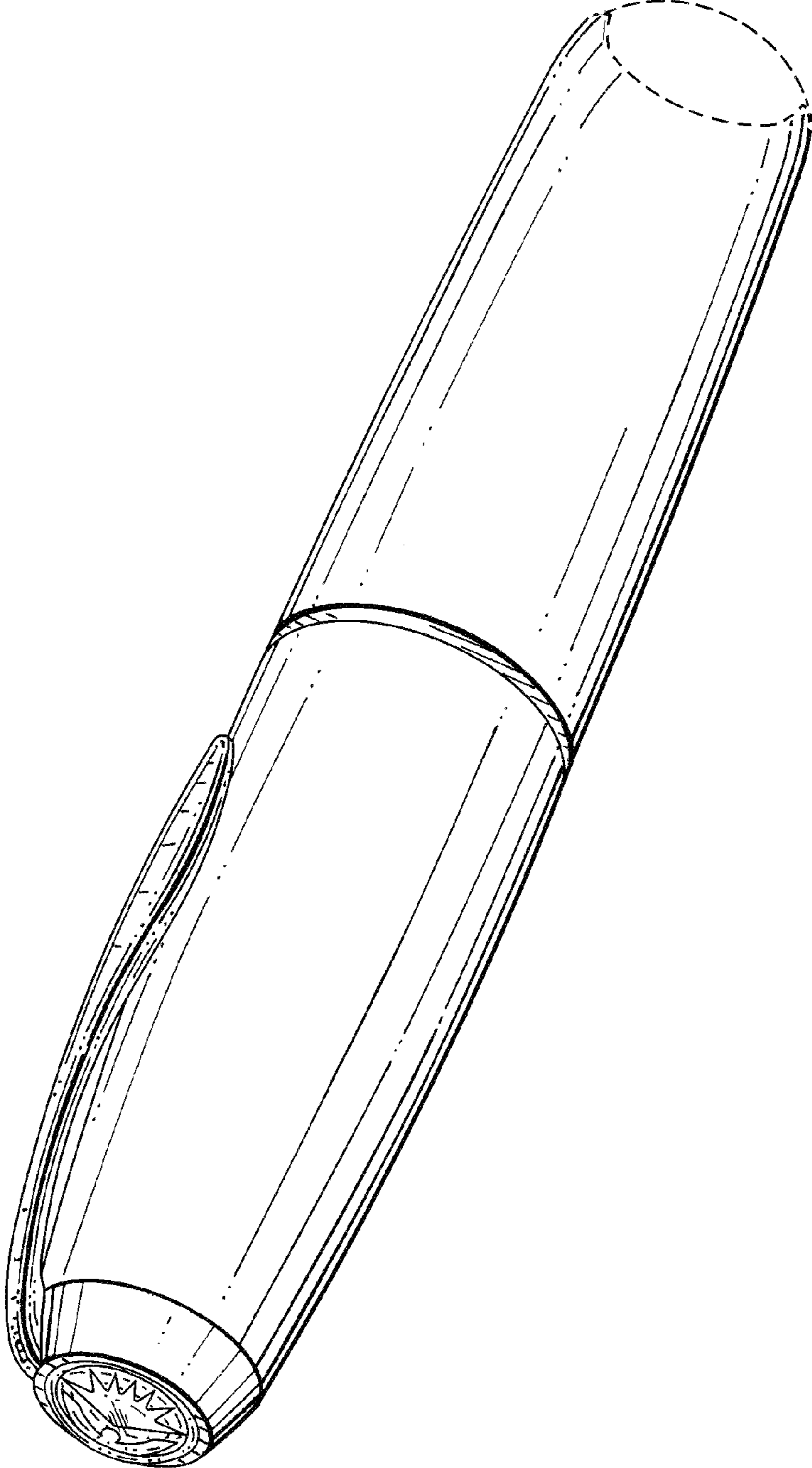


FIG. 1

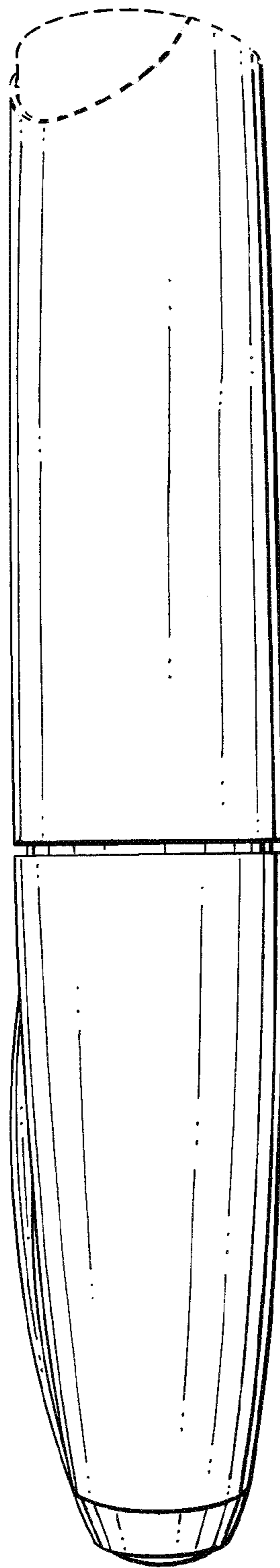


FIG.2

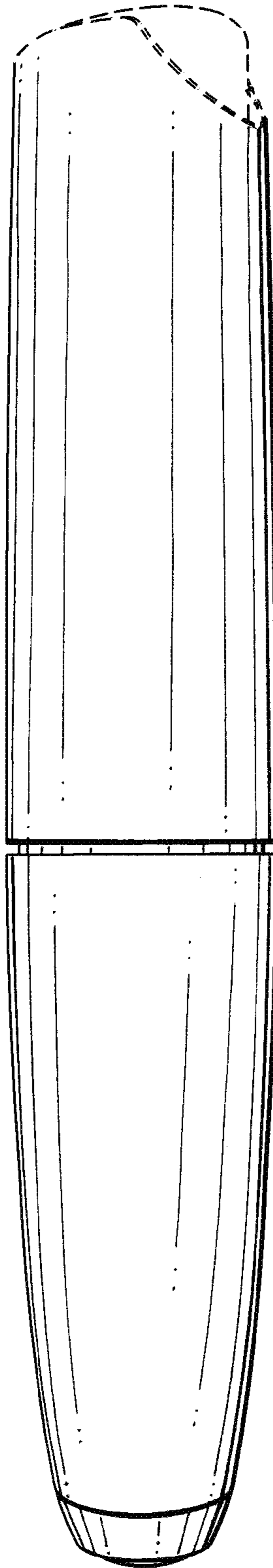


FIG.3

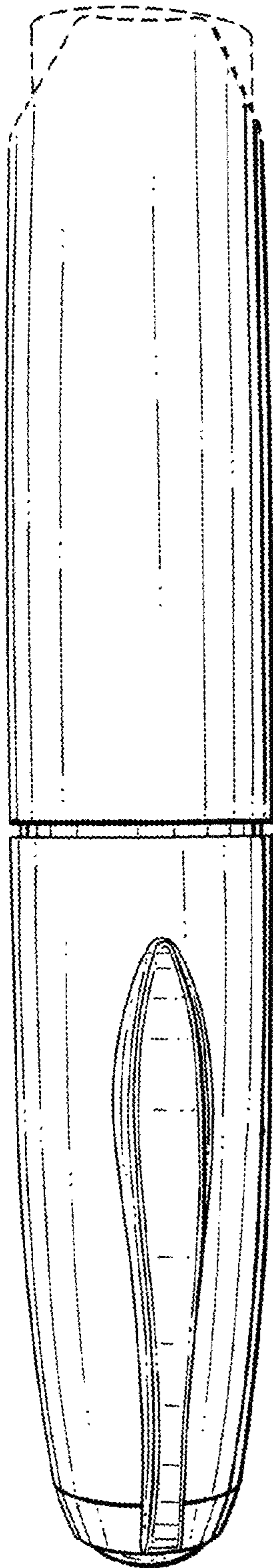


FIG. 4

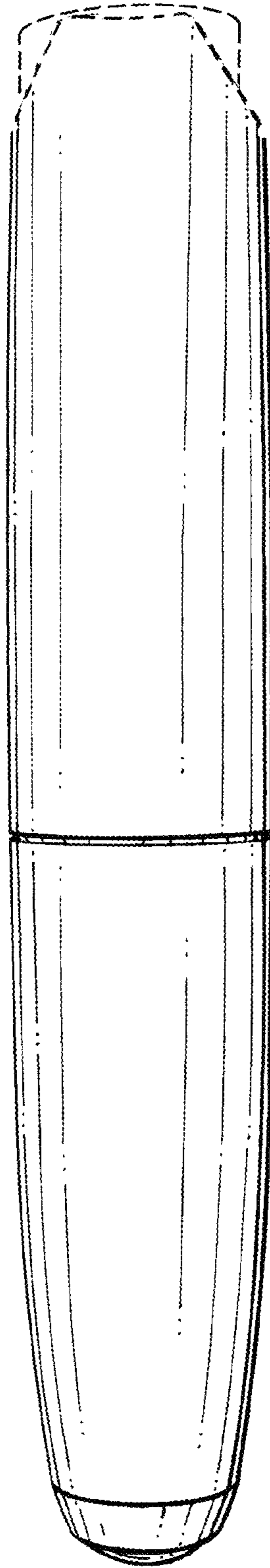


FIG.5

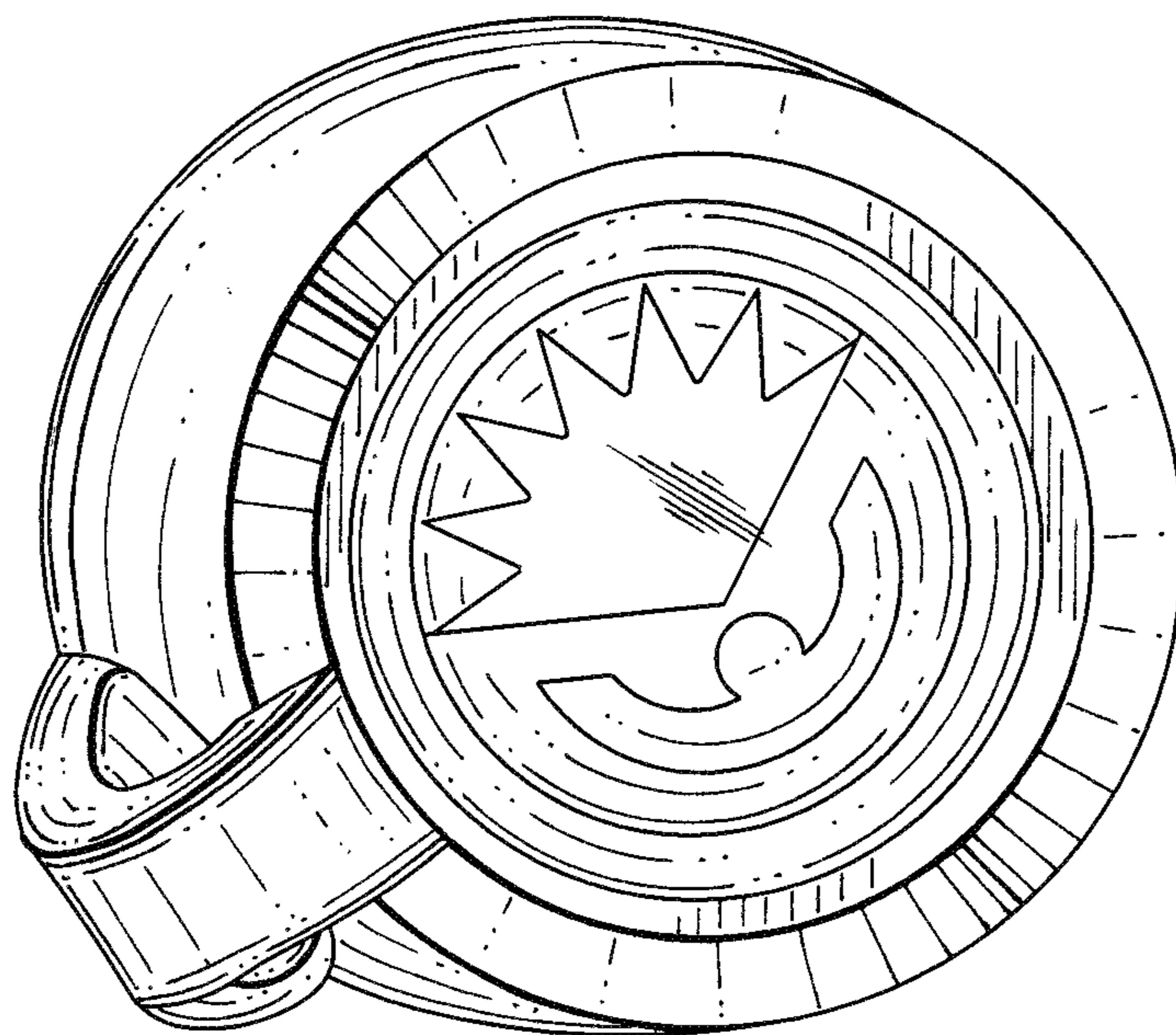


FIG. 6

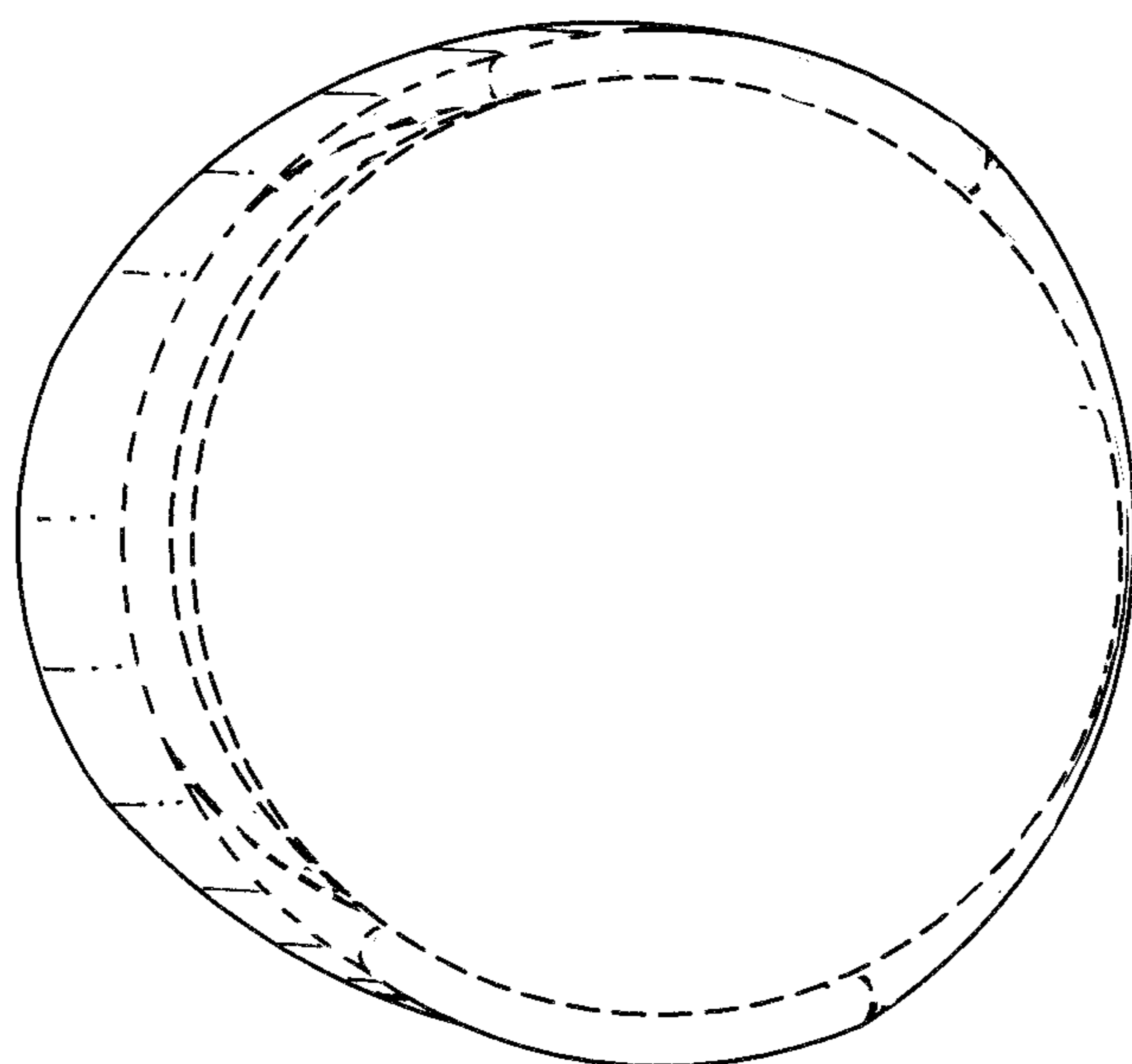


FIG. 7