



US00D710991S

(12) **United States Design Patent**
Belliveau

(10) **Patent No.:** **US D710,991 S**

(45) **Date of Patent:** **** Aug. 12, 2014**

(54) **INTRAVENOUS PUMPING SEGMENT**

2012/0022451 A1* 1/2012 Silver 604/151

* cited by examiner

(71) Applicant: **CareFusion 303, Inc.**, San Diego, CA
(US)

Primary Examiner — Ian Simmons

Assistant Examiner — Richelle G Shelton

(72) Inventor: **Scott Belliveau**, San Diego, CA (US)

(74) *Attorney, Agent, or Firm* — Fred C. Hernandez; Mintz
Levin Cohn Ferris Glovsky and Popeo, P.C.

(73) Assignee: **CareFusion 303, Inc.**, San Diego, CA
(US)

(57) **CLAIM**

The ornamental design for an intravenous pumping segment,
as shown and described.

(**) Term: **14 Years**

DESCRIPTION

(21) Appl. No.: **29/449,291**

FIG. 1 shows a front, perspective view of an intravenous
pumping segment;

(22) Filed: **Mar. 14, 2013**

FIG. 2 shows a front, elevational view of the intravenous
pumping segment shown in FIG. 1;

(51) **LOC (10) Cl.** **24-02**

FIG. 3 shows a rear, elevational view of the intravenous
pumping segment shown in FIG. 1;

(52) **U.S. Cl.**

USPC **D24/111**

FIG. 4 shows a bottom, plan view of the intravenous pumping
segment shown in FIG. 1;

(58) **Field of Classification Search**

USPC D24/107, 108, 111, 169; D15/7-9;
417/477.2, 474; 604/151-155

FIG. 5 shows a top, plan view of the intravenous pumping
segment shown in FIG. 1;

See application file for complete search history.

FIG. 6 shows a left, side elevational view of the intravenous
pumping segment shown in FIG. 1;

(56) **References Cited**

U.S. PATENT DOCUMENTS

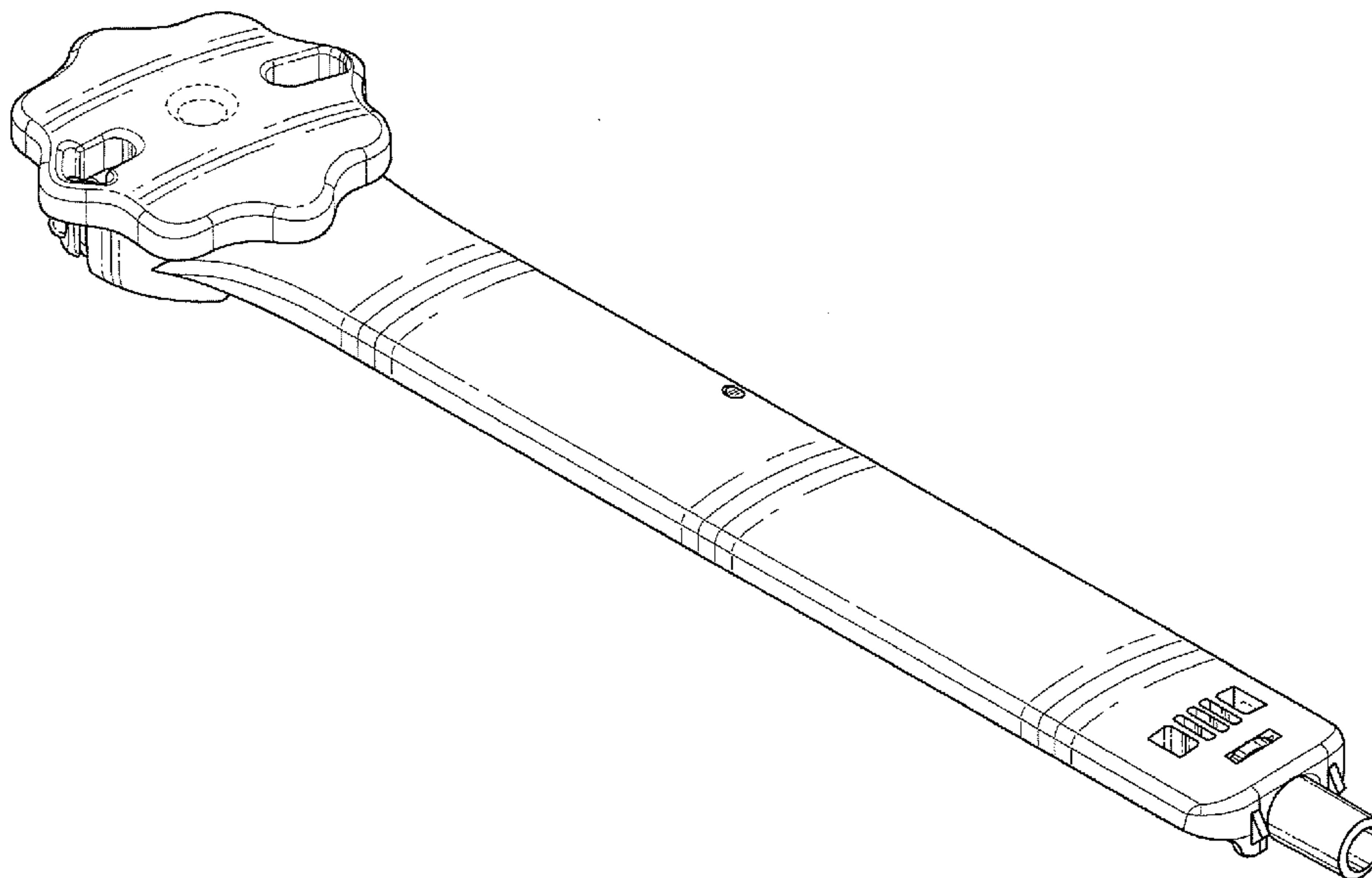
D290,656 S *	6/1987	Kaleskas	D24/111
D305,150 S *	12/1989	Pastrone	D24/111
D371,194 S *	6/1996	Marston et al.	D24/111
5,575,632 A *	11/1996	Morris et al.	417/477.2
D398,053 S *	9/1998	Sealfon	D24/111
D504,507 S *	4/2005	Ziegler et al.	D24/111

FIG. 7 shows a right, side elevational view of the intravenous
pumping segment shown in FIG. 1; and,

FIG. 8 shows a rear, perspective view of the intravenous
pumping segment shown in FIG. 1.

The broken line showing of portions of the article is included
for the purpose of illustrating environmental structure and
forms no part of the claimed design.

1 Claim, 7 Drawing Sheets



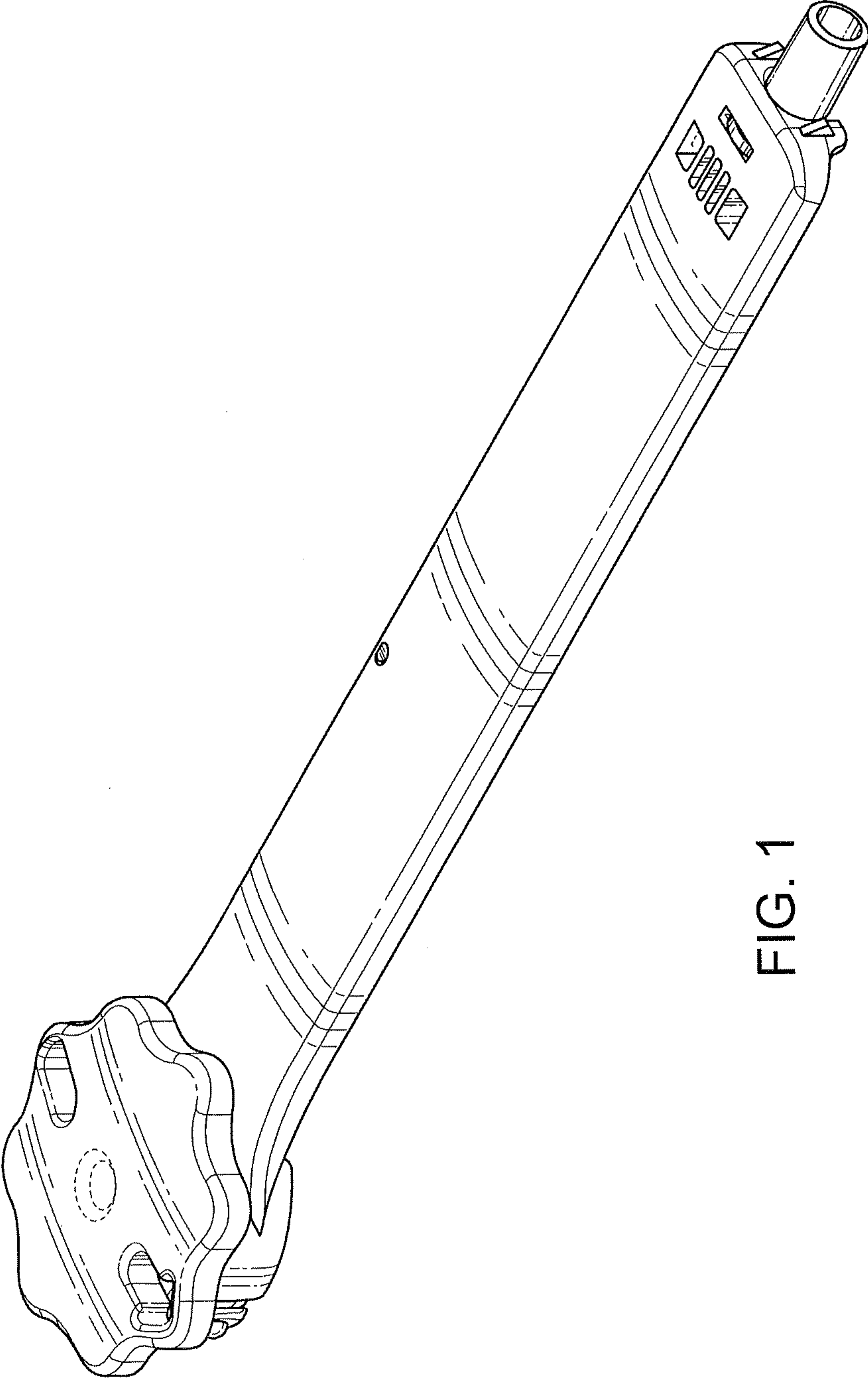


FIG. 1

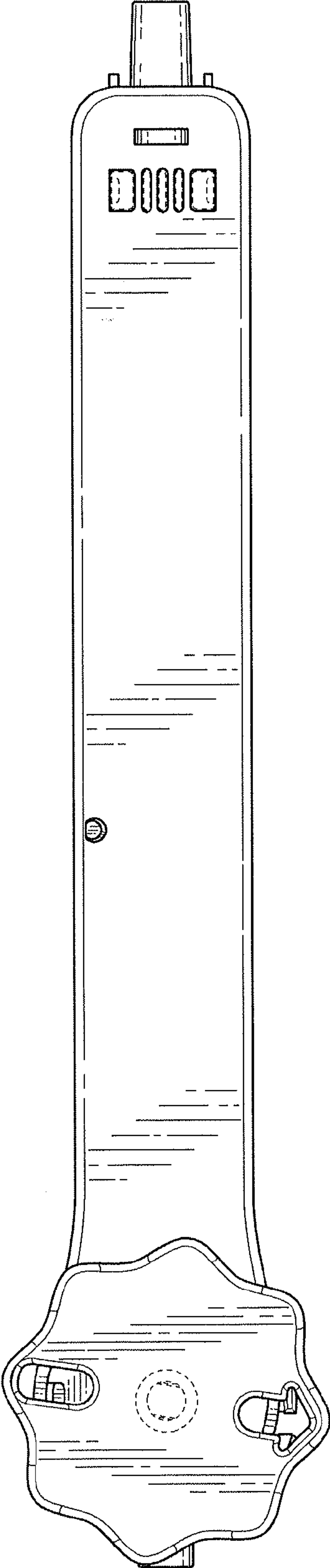


FIG. 2

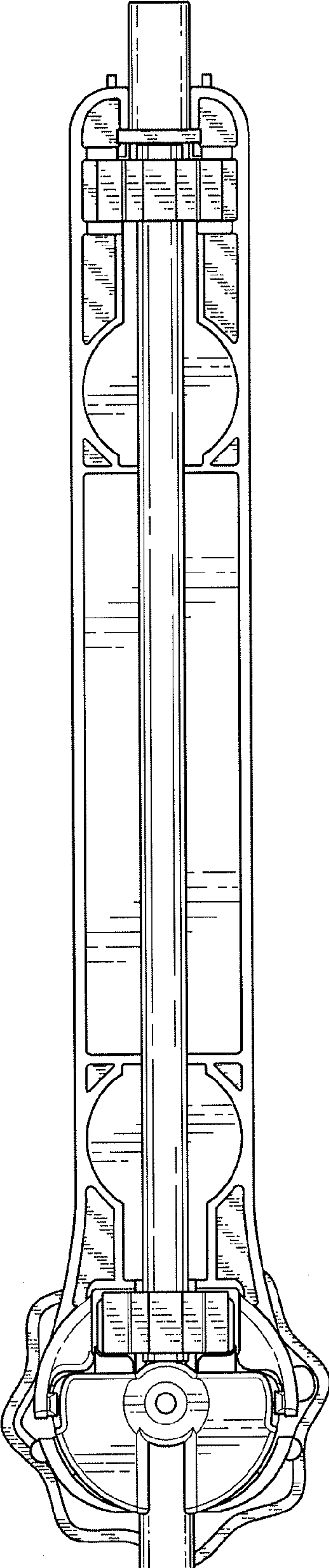


FIG. 3

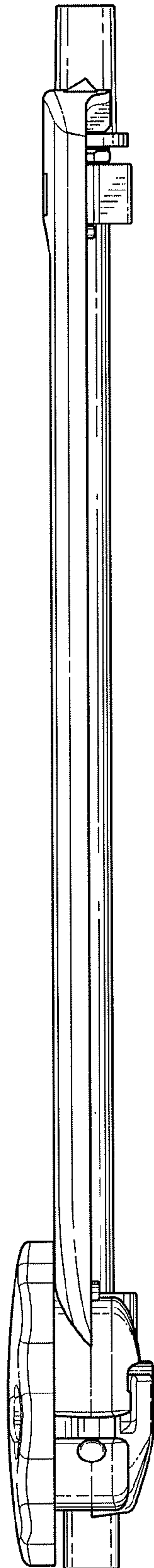


FIG. 4

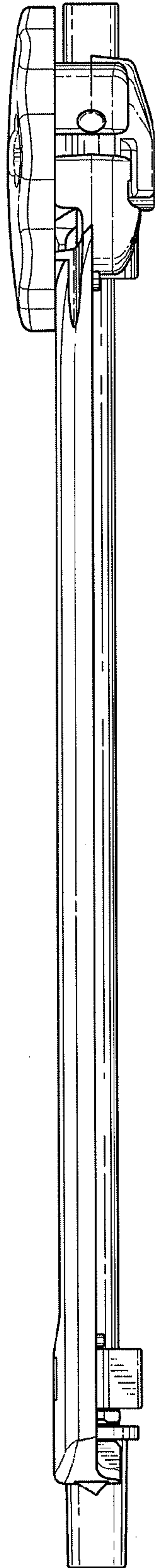


FIG. 5

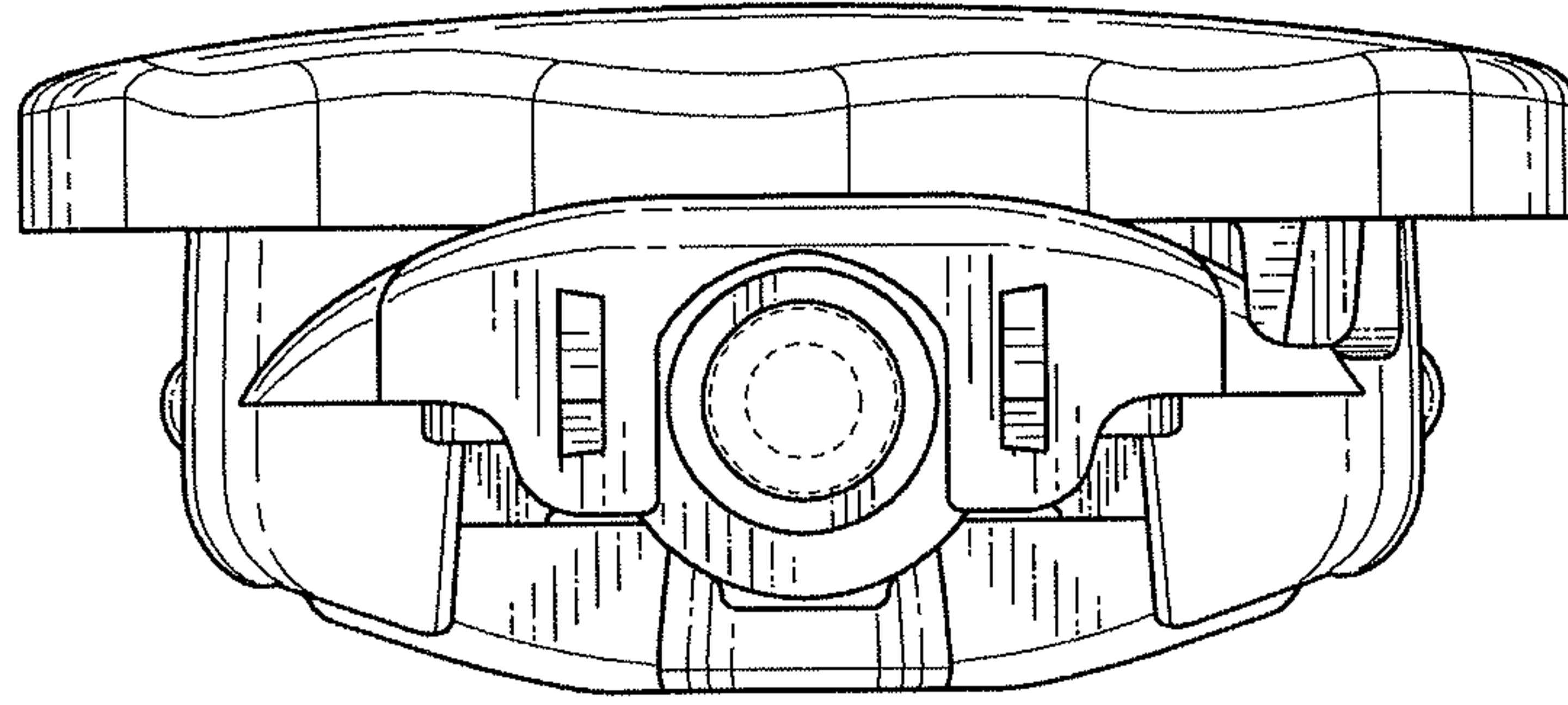


FIG. 6

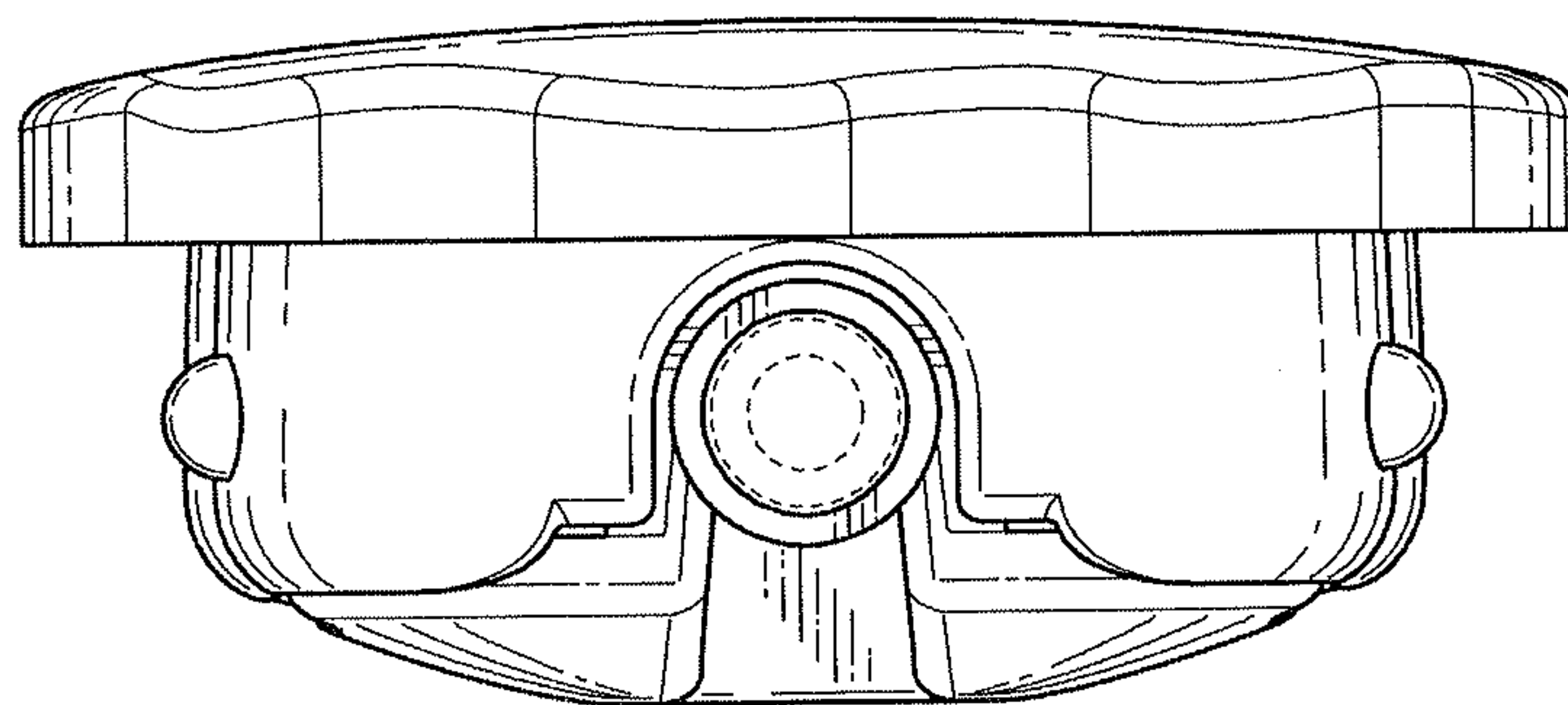


FIG. 7

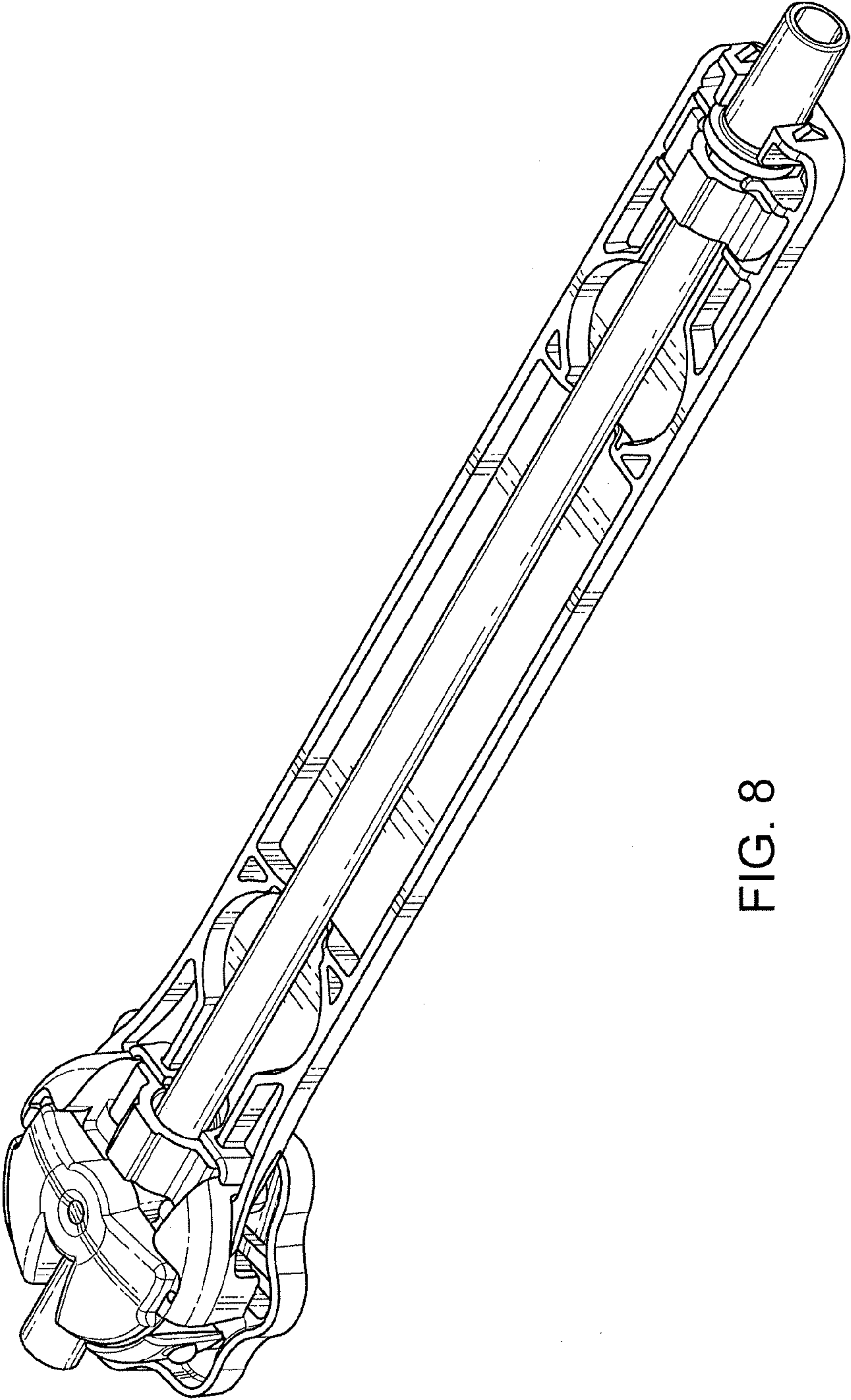


FIG. 8