



US00D710990S

(12) **United States Design Patent**
Brain

(10) **Patent No.:** **US D710,990 S**

(45) **Date of Patent:** **** Aug. 12, 2014**

(54) **LARYNGEAL MASK**

(75) **Inventor:** **Archibald Ian Jeremy Brain, Mahe (SC)**

(73) **Assignee:** **The Laryngeal Mask Company Limited, Le Rocher, Victoria, Mahe (SC)**

(**) **Term:** **14 Years**

(21) **Appl. No.:** **29/414,941**

(22) **Filed:** **Mar. 6, 2012**

(30) **Foreign Application Priority Data**

Sep. 7, 2011 (EM) 001292742

(51) **LOC (10) Cl.** **29-02**

(52) **U.S. Cl.**

CPC **A61M 16/00** (2013.01)

USPC **D24/110.5**

(58) **Field of Classification Search**

CPC A61M 16/00–16/0497

USPC D24/110–110.5; 128/200.26, 207.15;
600/194–196

See application file for complete search history.

(56) **References Cited**

U.S. PATENT DOCUMENTS

4,509,514	A	4/1985	Brain	
4,995,388	A	2/1991	Brain	
5,241,956	A *	9/1993	Brain	128/207.15
5,477,851	A	12/1995	Callaghan et al.	
5,584,290	A *	12/1996	Brain	128/207.15
5,623,921	A	4/1997	Kinsinger et al.	
5,632,271	A *	5/1997	Brain	128/207.15
5,988,167	A *	11/1999	Kamen	128/207.15
D429,811	S *	8/2000	Bermudez	D24/110.5
6,240,922	B1 *	6/2001	Pagan	128/207.15
6,705,322	B2 *	3/2004	Chang	128/207.15
7,004,169	B2 *	2/2006	Brain	128/207.14
D518,572	S *	4/2006	Nasir	D24/110.5

D518,890	S *	4/2006	Nasir	D24/110.5
7,047,973	B2	5/2006	Chang	
7,134,431	B2 *	11/2006	Brain	128/200.26
RE39,938	E *	12/2007	Brain	128/207.15
7,305,985	B2 *	12/2007	Brain	128/200.26
7,694,682	B2 *	4/2010	Petersen et al.	128/207.15
D618,788	S *	6/2010	Dubach	D24/110.5
7,784,465	B2 *	8/2010	Le et al.	128/207.16
7,934,502	B2 *	5/2011	Cook	128/207.15
7,938,119	B2 *	5/2011	Chen et al.	128/207.15
7,992,562	B2 *	8/2011	Chen	128/207.14
8,220,454	B2 *	7/2012	Murray	128/200.26
D665,254	S *	8/2012	Miller	D9/424

(Continued)

OTHER PUBLICATIONS

Community Design Registration No. 000818547-0001, Registered Oct. 25, 2007 in 4 pages.

(Continued)

Primary Examiner — Richard E Chilcot

(74) *Attorney, Agent, or Firm* — Knobbe, Martens, Olson & Bear LLP

(57)

CLAIM

The ornamental design for the laryngeal mask, as shown and described.

DESCRIPTION

FIG. 1 is a first perspective view of a laryngeal mask showing the new design.

FIG. 2 is a rear elevational view thereof.

FIG. 3 is a front elevational view thereof.

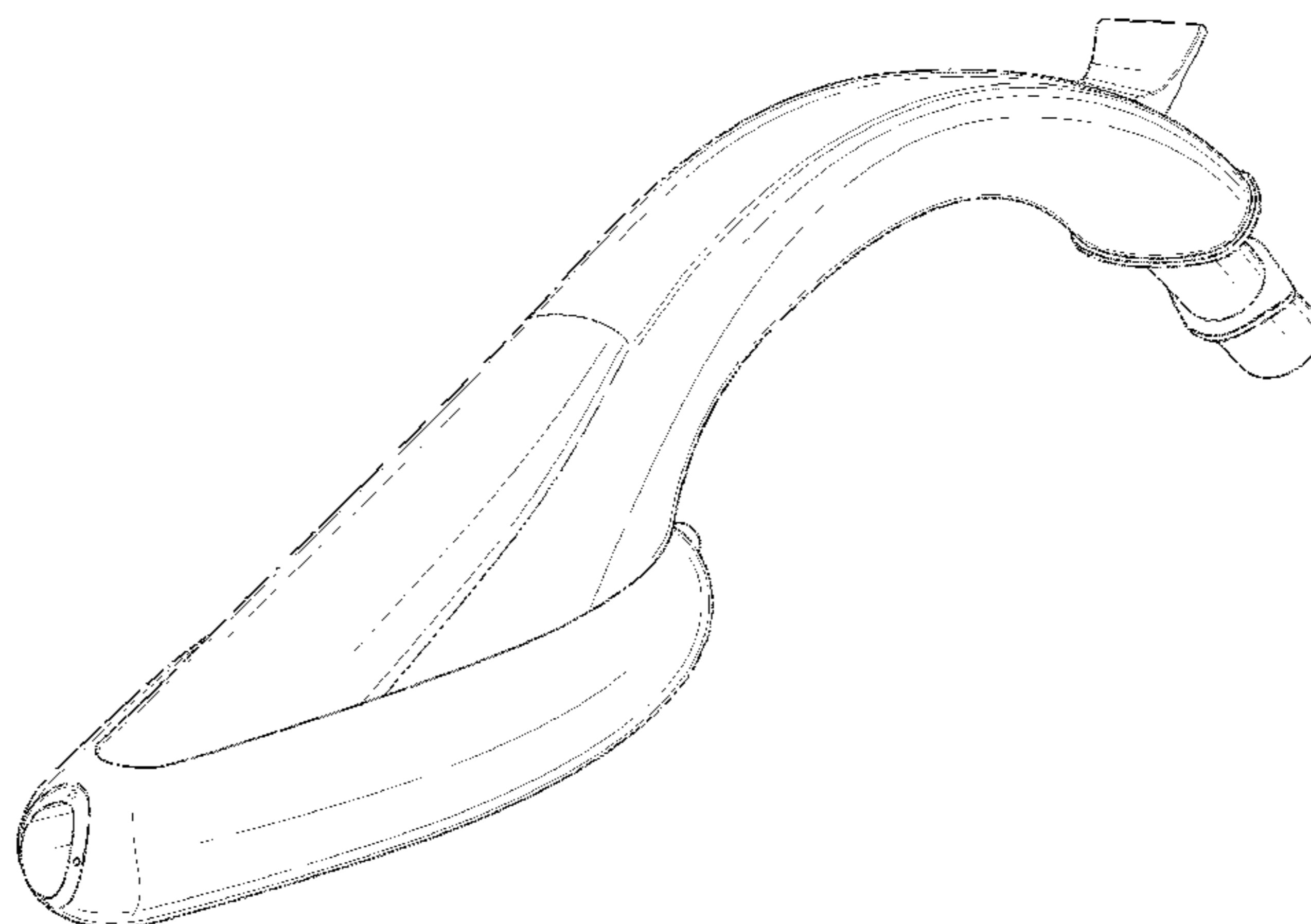
FIG. 4 is a right side elevational view thereof. The left side elevational view is a mirror image of the right side elevational view.

FIG. 5 is a top plan view thereof.

FIG. 6 is a bottom plan view thereof; and,

FIG. 7 is a second perspective view thereof.

1 Claim, 7 Drawing Sheets



(56)

References Cited

U.S. PATENT DOCUMENTS

D665,495 S * 8/2012 Nasir D24/110.5
D668,759 S * 10/2012 Nasir D24/110.5
D681,194 S * 4/2013 Koschany D24/110.5
8,449,713 B2 * 5/2013 Brain 156/293
8,485,188 B2 * 7/2013 Nasir 128/205.25
D688,787 S * 8/2013 Miller et al. D24/110
8,522,786 B2 * 9/2013 Takeda et al. 128/207.14
D693,920 S * 11/2013 Miller et al. D24/110.5
8,590,535 B2 * 11/2013 Dubach 128/207.15
8,622,060 B2 * 1/2014 Cook 128/207.14
8,631,796 B2 * 1/2014 Cook 128/207.15

2004/0200479 A1 10/2004 Chang
2006/0081245 A1 4/2006 Gould
2006/0207601 A1* 9/2006 Nasir 128/207.14
2007/0028923 A1* 2/2007 Souris et al. 128/207.15
2008/0308109 A1* 12/2008 Brain 128/207.14
2009/0090358 A1* 4/2009 Chen 128/200.26
2009/0194114 A1 8/2009 Chen et al.
2010/0089393 A1 4/2010 Brain

OTHER PUBLICATIONS

U.S. Appl. No. 29/418,512, Laryngeal Mask Airway Device, filed Apr. 17, 2012.

* cited by examiner

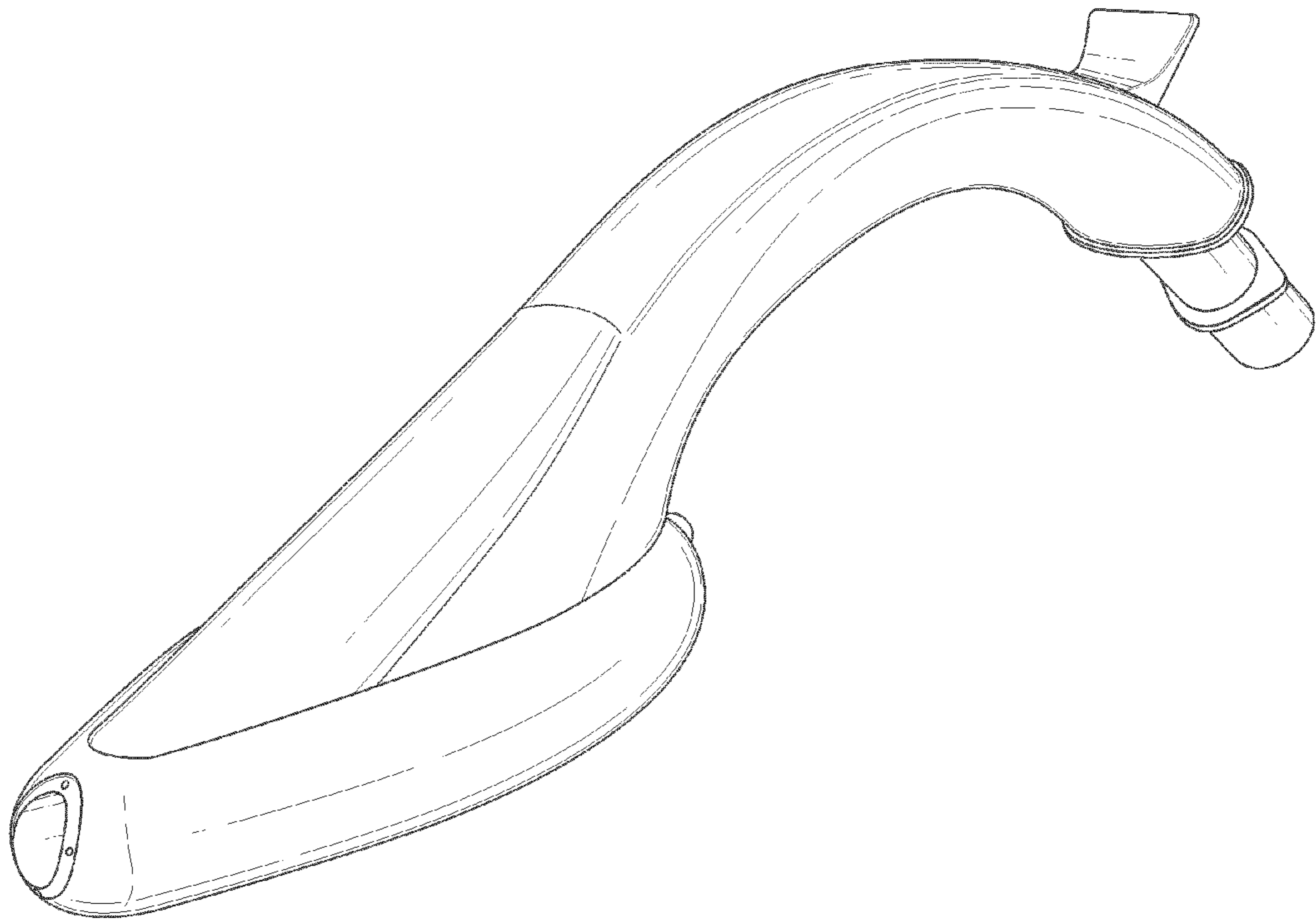


FIG. 1

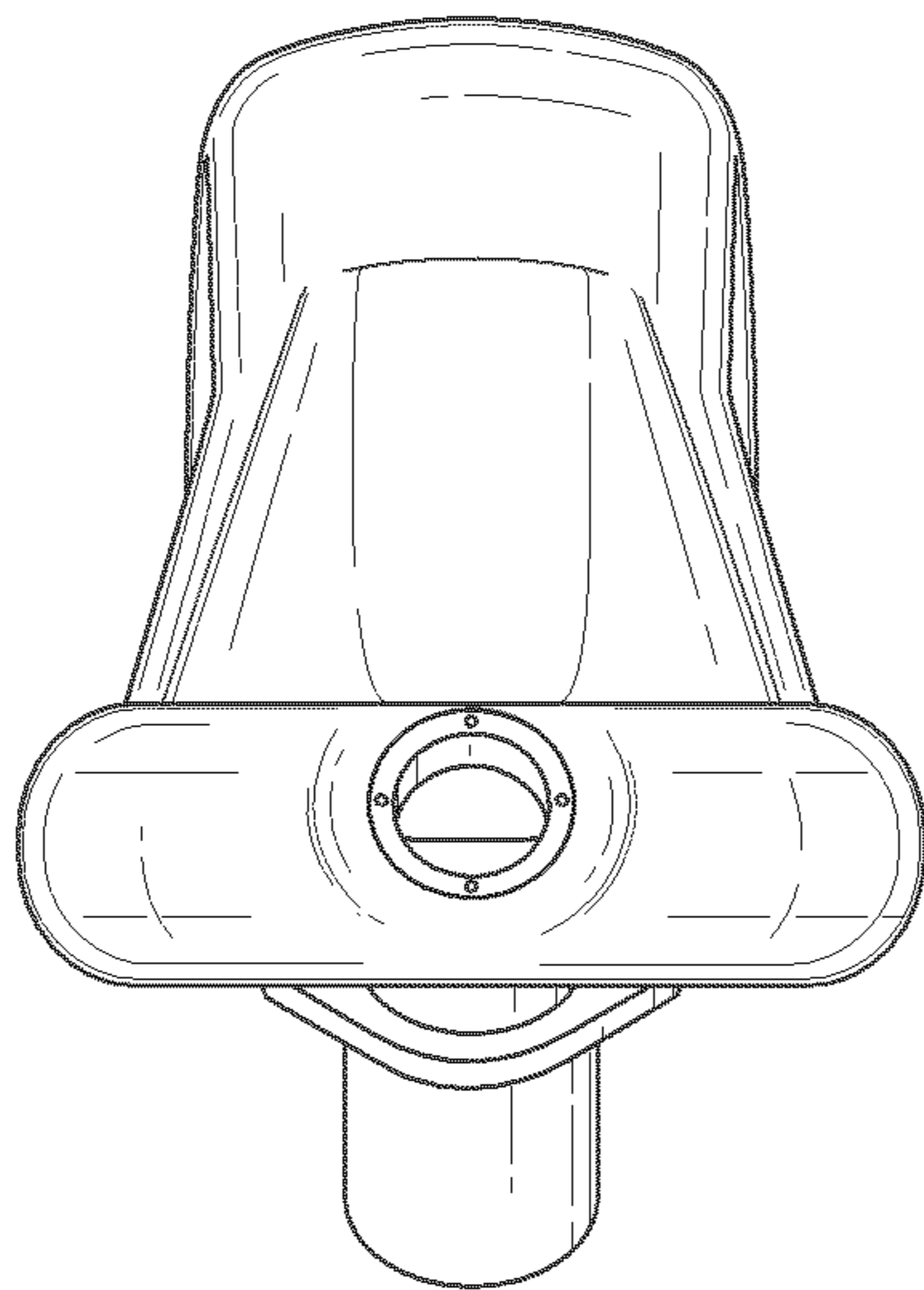


FIG. 2

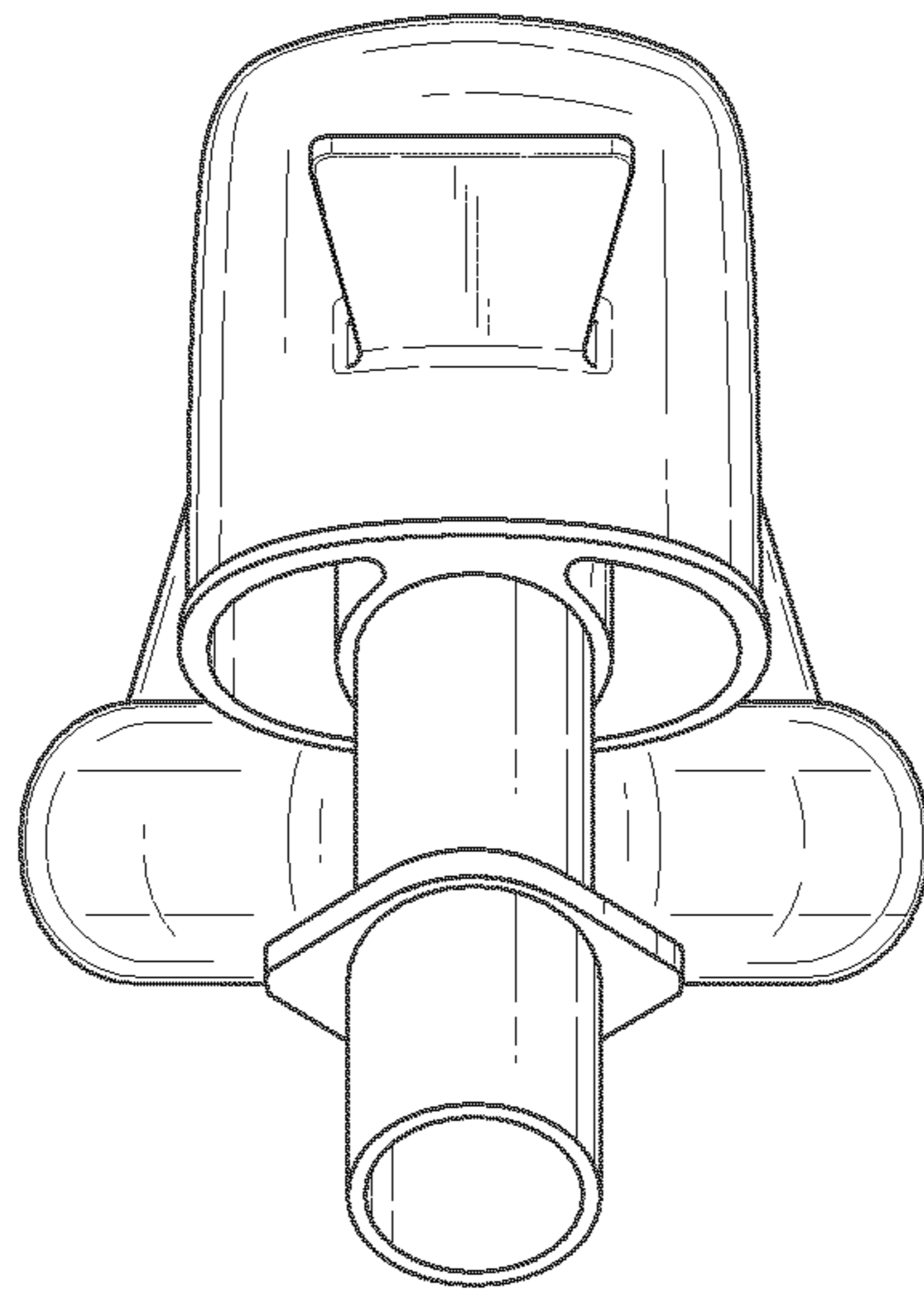


FIG. 3

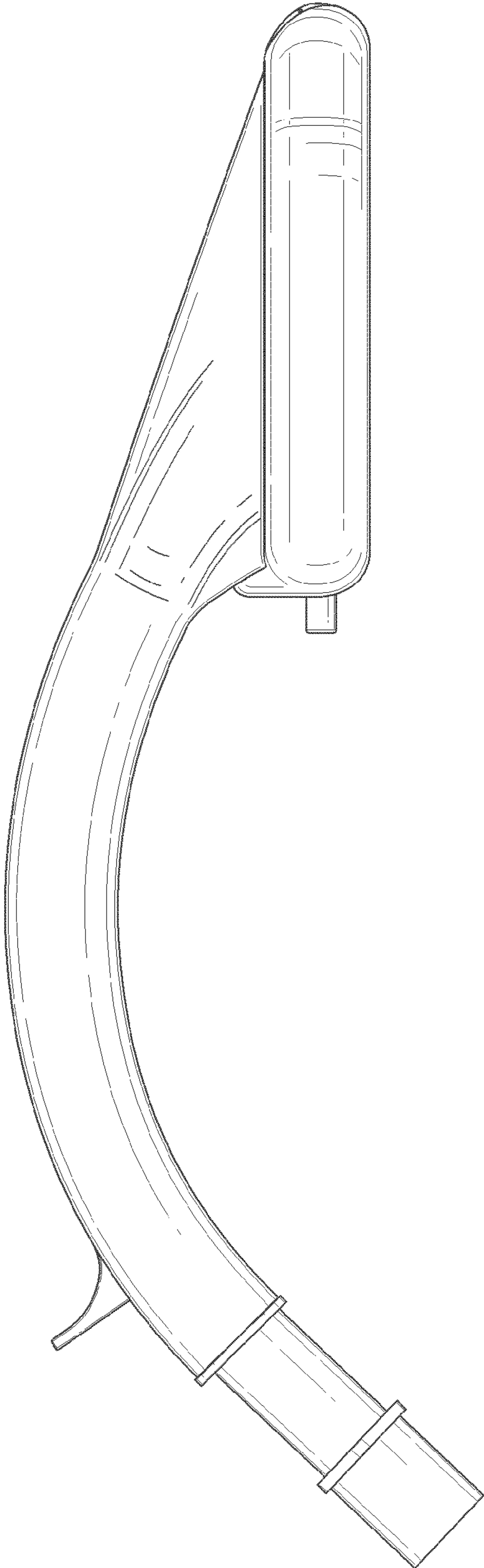


FIG. 4

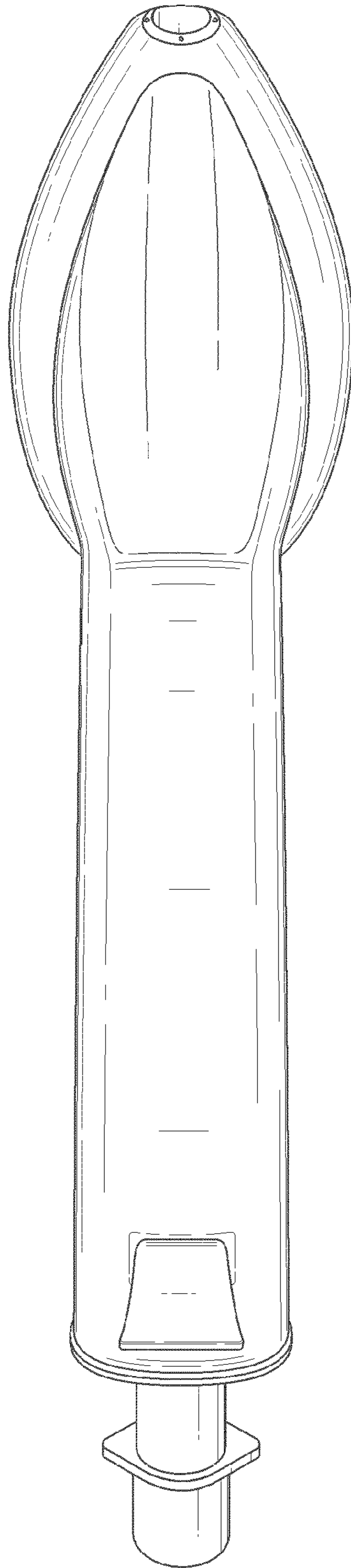


FIG. 5

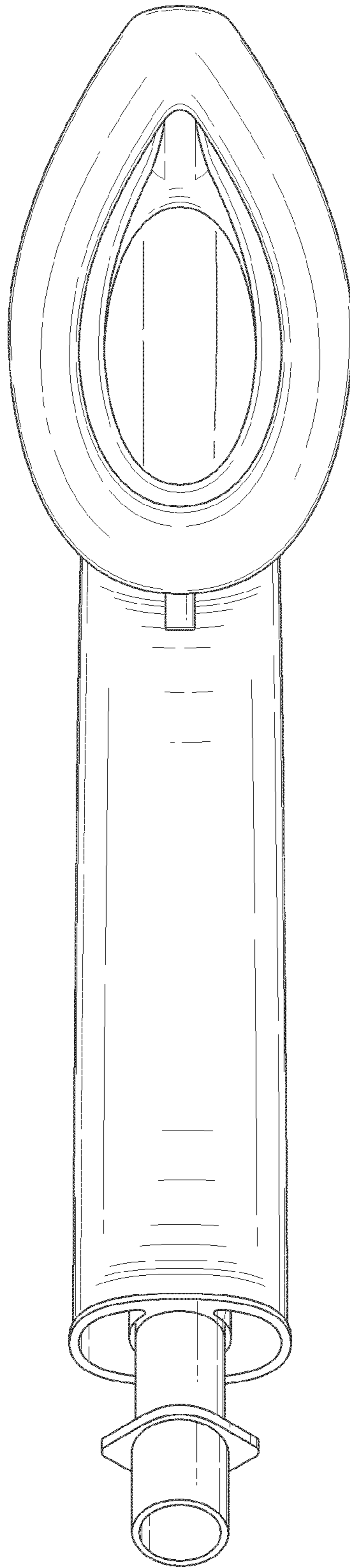


FIG. 6

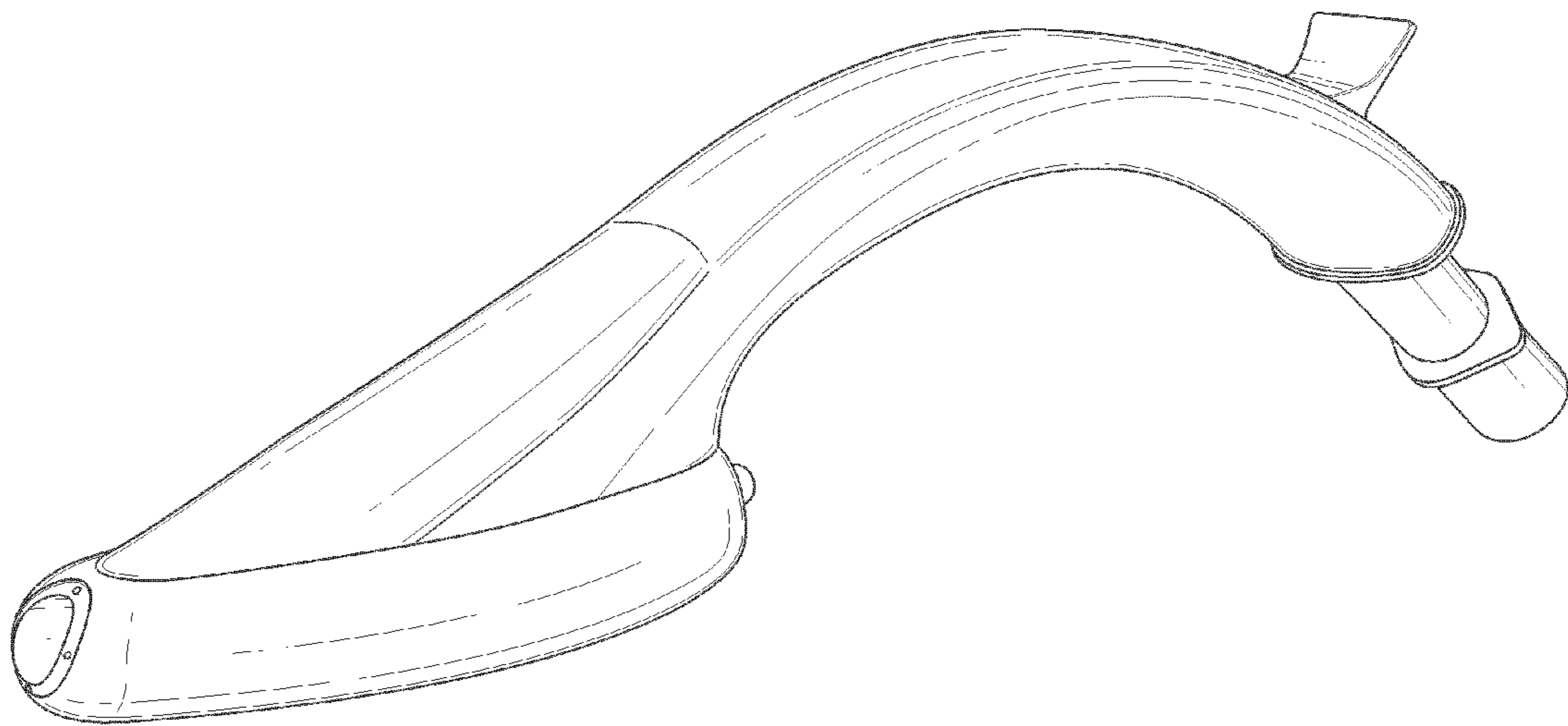


FIG. 7