



US00D710988S

(12) **United States Design Patent**
Pan

(10) **Patent No.:** **US D710,988 S**

(45) **Date of Patent:** **** Aug. 12, 2014**

(54) **FAN BLADE BRACKET**

(71) Applicant: **Air Cool Industrial Co., Ltd.**, Taichung (TW)

(72) Inventor: **Peter Pan**, Taichung (TW)

(73) Assignee: **Air Cool Industrial Co., Ltd.**, Taichung (TW)

(**) Term: **14 Years**

(21) Appl. No.: **29/460,939**

(22) Filed: **Jul. 17, 2013**

(51) **LOC (10) Cl.** **23-04**

(52) **U.S. Cl.**
USPC **D23/411**

(58) **Field of Classification Search**
CPC F04D 25/088; F04D 29/34; F04D 29/322;
F04D 29/005; F21V 33/0096
USPC D23/411-414, 324, 331, 343, 385,
D23/370-384, 387, 499; D8/323, 327, 349;
D11/78.1, 86; 416/5, 170 R, 214 R, 184,
416/206, 207, 210 R, 220 R, 244 R, 248;
392/364

See application file for complete search history.

(56) **References Cited**

U.S. PATENT DOCUMENTS

D404,124 S *	1/1999	Tsuji	D23/411
D481,117 S *	10/2003	Tsuji	D23/411
D505,719 S *	5/2005	Hidalgo	D23/411
D510,427 S *	10/2005	Hidalgo	D23/411
D510,430 S *	10/2005	Tai	D23/411
D522,129 S *	5/2006	Hidalgo	D23/411
D523,136 S *	6/2006	Chen	D23/411
D525,700 S *	7/2006	Ertze	D23/411
D532,104 S *	11/2006	Pickett	D23/411
D548,323 S *	8/2007	Lee	D23/411
D552,229 S *	10/2007	Shurtleff	D23/411

D559,970 S *	1/2008	Frampton et al.	D23/411
D568,983 S *	5/2008	Pan	D23/411
D569,963 S *	5/2008	Pan	D23/411
D572,815 S *	7/2008	Hidalgo	D23/411
D573,245 S *	7/2008	Pan	D23/411
D581,515 S *	11/2008	Pickett	D23/411
D582,030 S *	12/2008	Pickett	D23/411
D594,550 S *	6/2009	Pan	D23/411
D599,469 S *	9/2009	Yang	D23/411
D626,210 S *	10/2010	Searle	D23/411
D637,060 S *	5/2011	Mitchell et al.	D8/323
D645,725 S *	9/2011	Katz et al.	D8/327
D670,801 S *	11/2012	Searle	D23/411
8,356,979 B2 *	1/2013	Haynes	416/210 R
D699,338 S *	2/2014	Wang	D23/385
2009/0004014 A1 *	1/2009	Wang	416/210 R
2009/0004015 A1 *	1/2009	Wang	416/210 R
2009/0246028 A1 *	10/2009	Richardson	416/210 R

* cited by examiner

Primary Examiner — Susan Bennett Hattan

Assistant Examiner — Marie Fast Horse

(74) *Attorney, Agent, or Firm* — Ming Chow; Sinorica, LLC

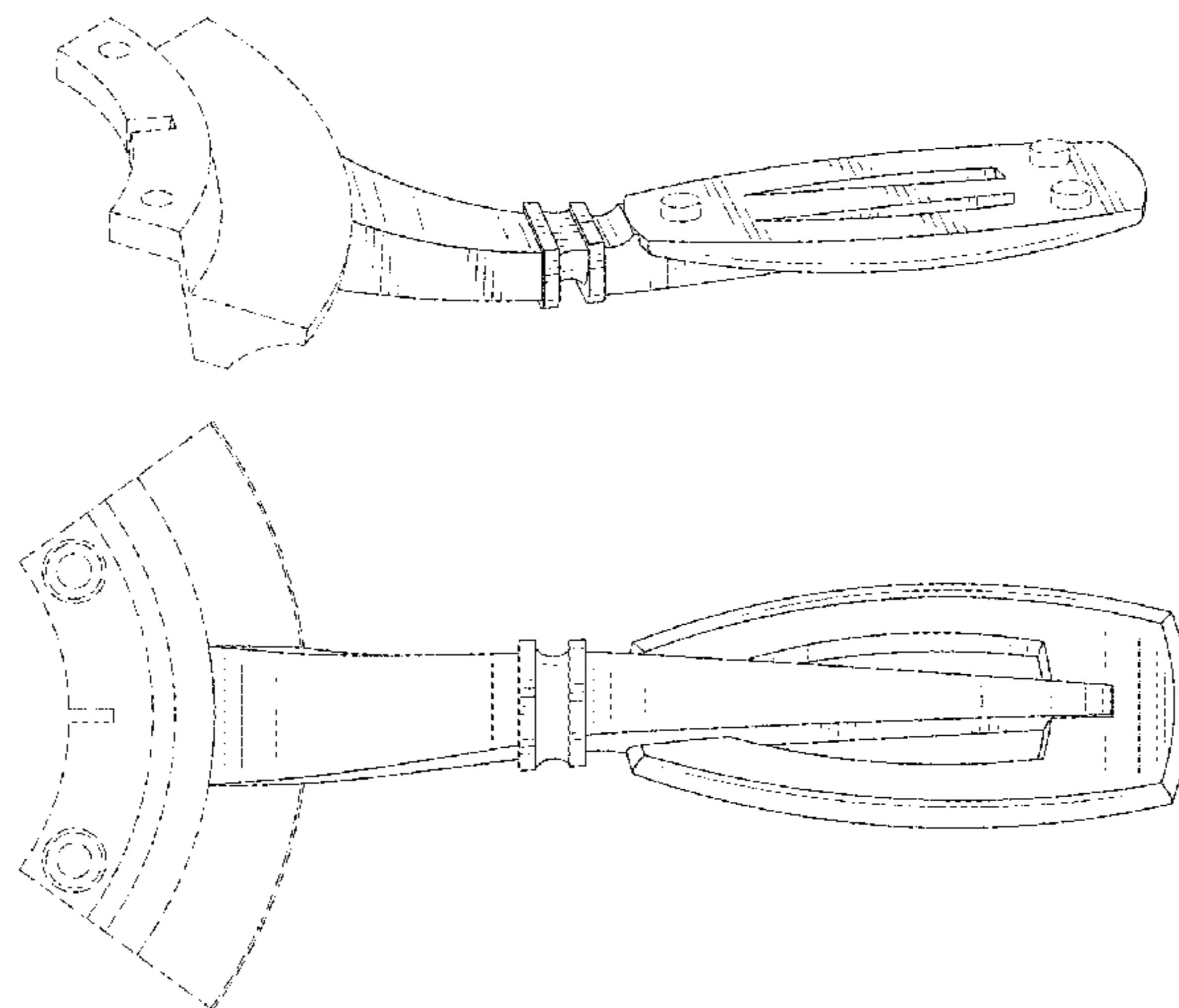
(57) **CLAIM**

I claim the ornamental design for a fan blade bracket, as shown and described.

DESCRIPTION

FIG. 1 is a front perspective view of a fan blade bracket showing my new design;
FIG. 2 is a front elevational view thereof;
FIG. 3 is a rear elevational view thereof.
FIG. 4 is a left side elevational view thereof;
FIG. 5 is a right side elevational view thereof;
FIG. 6 is a top plan view thereof;
FIG. 7 is a bottom plan view thereof; and,
FIG. 8 is a front end view of the fan blade bracket in accordance with my design, shown in its environment thereof.
The broken lines are for the purpose of illustrating environmental structure and form no part of the claimed design.

1 Claim, 5 Drawing Sheets



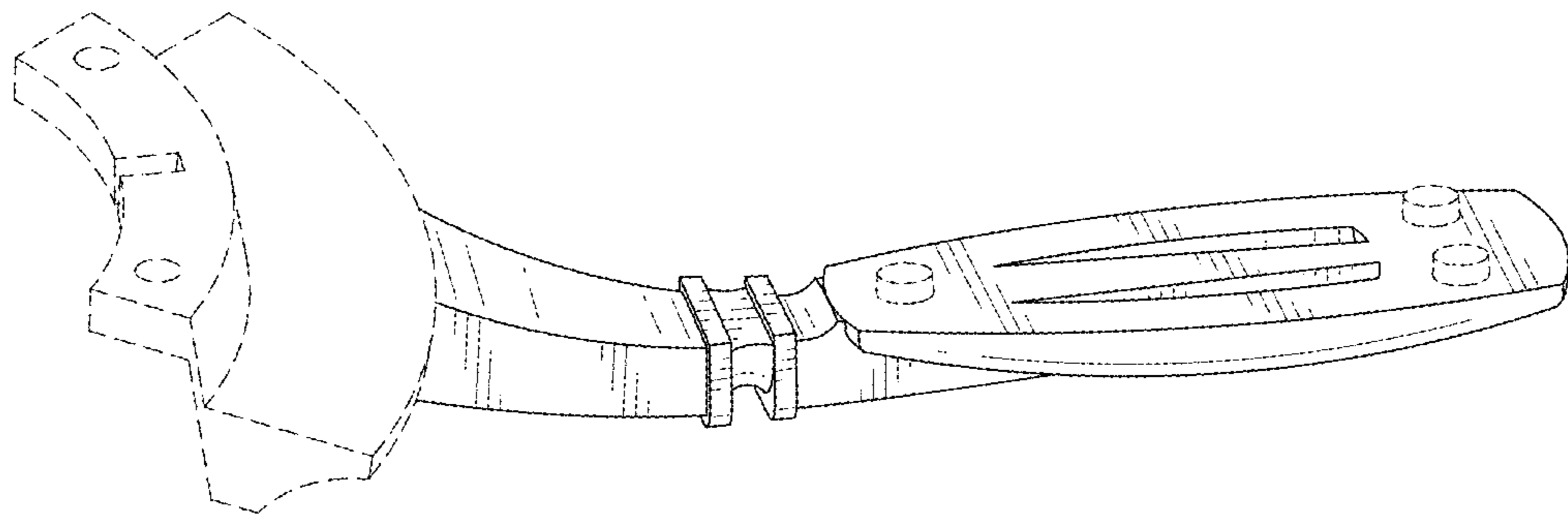


FIG. 1

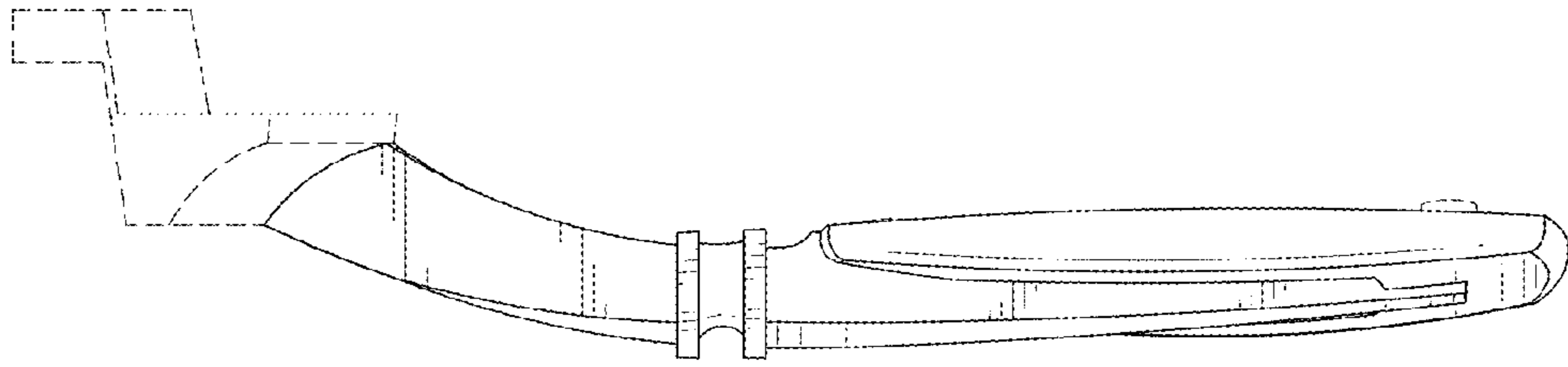


FIG. 2

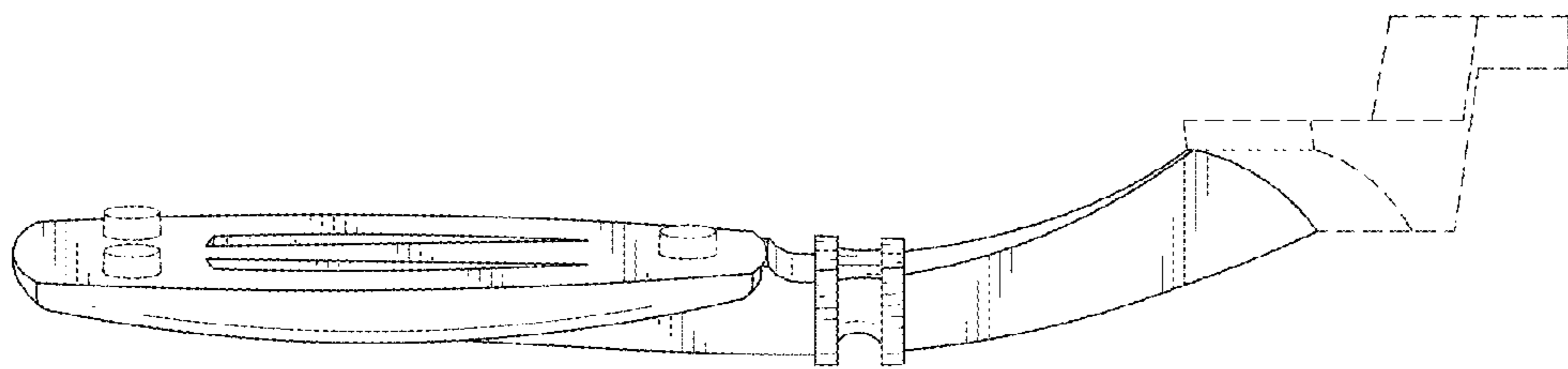


FIG. 3

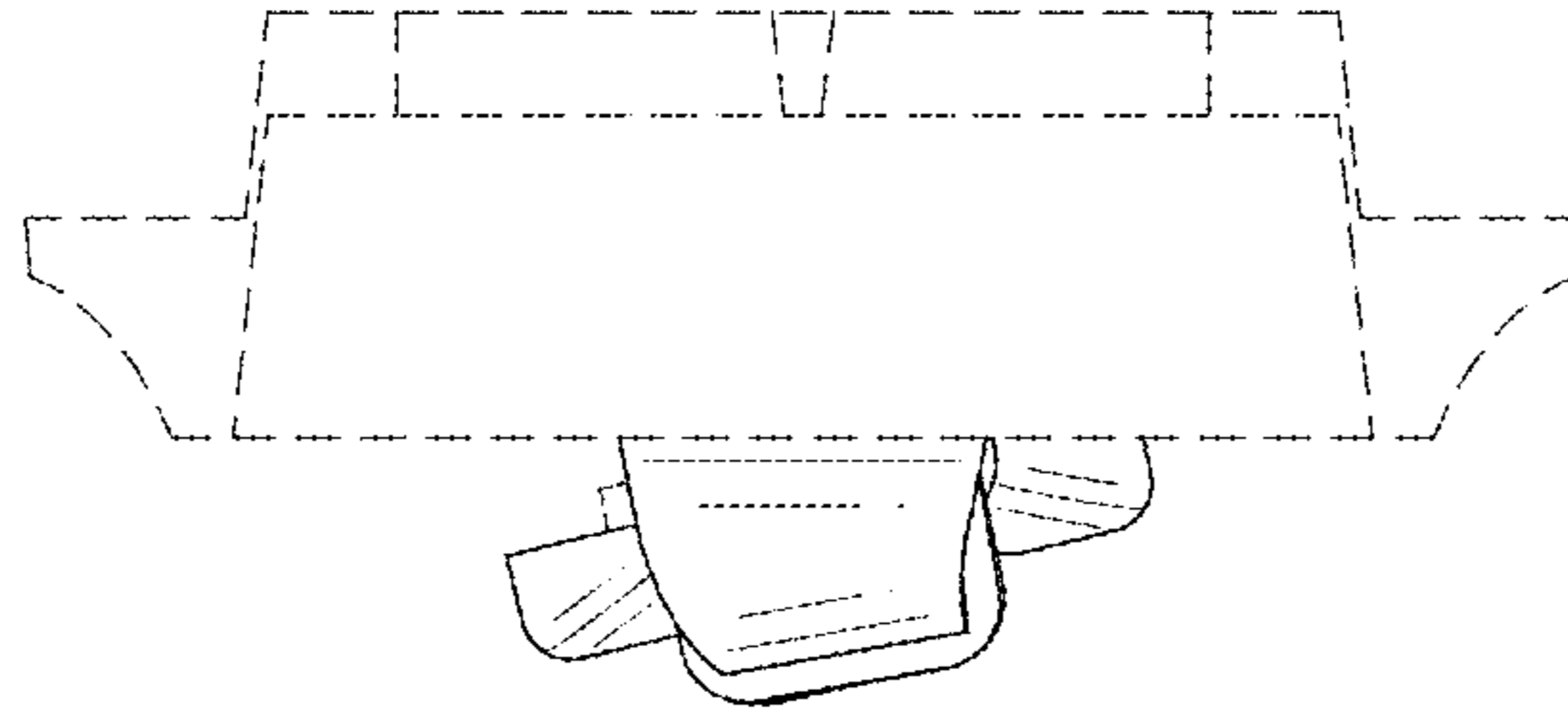


FIG. 4

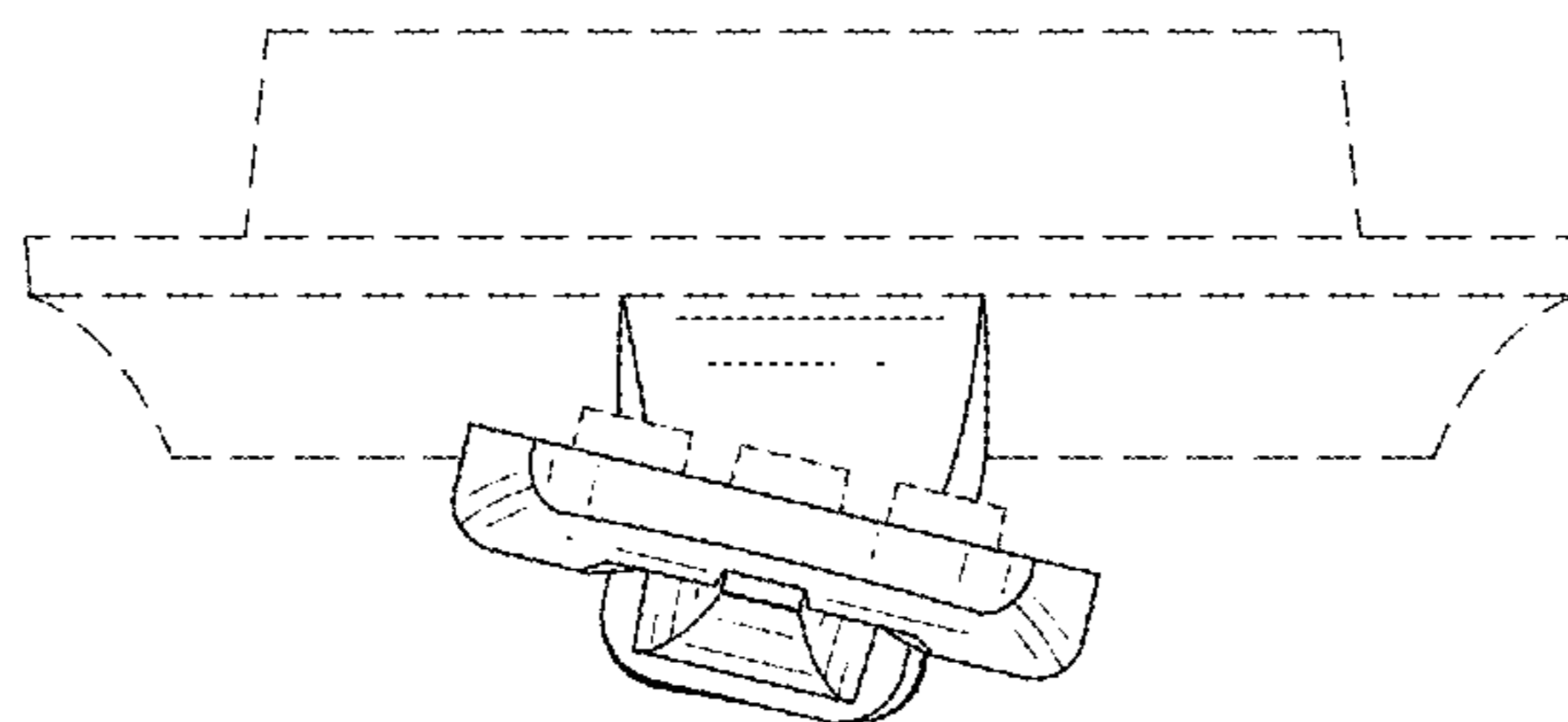


FIG. 5

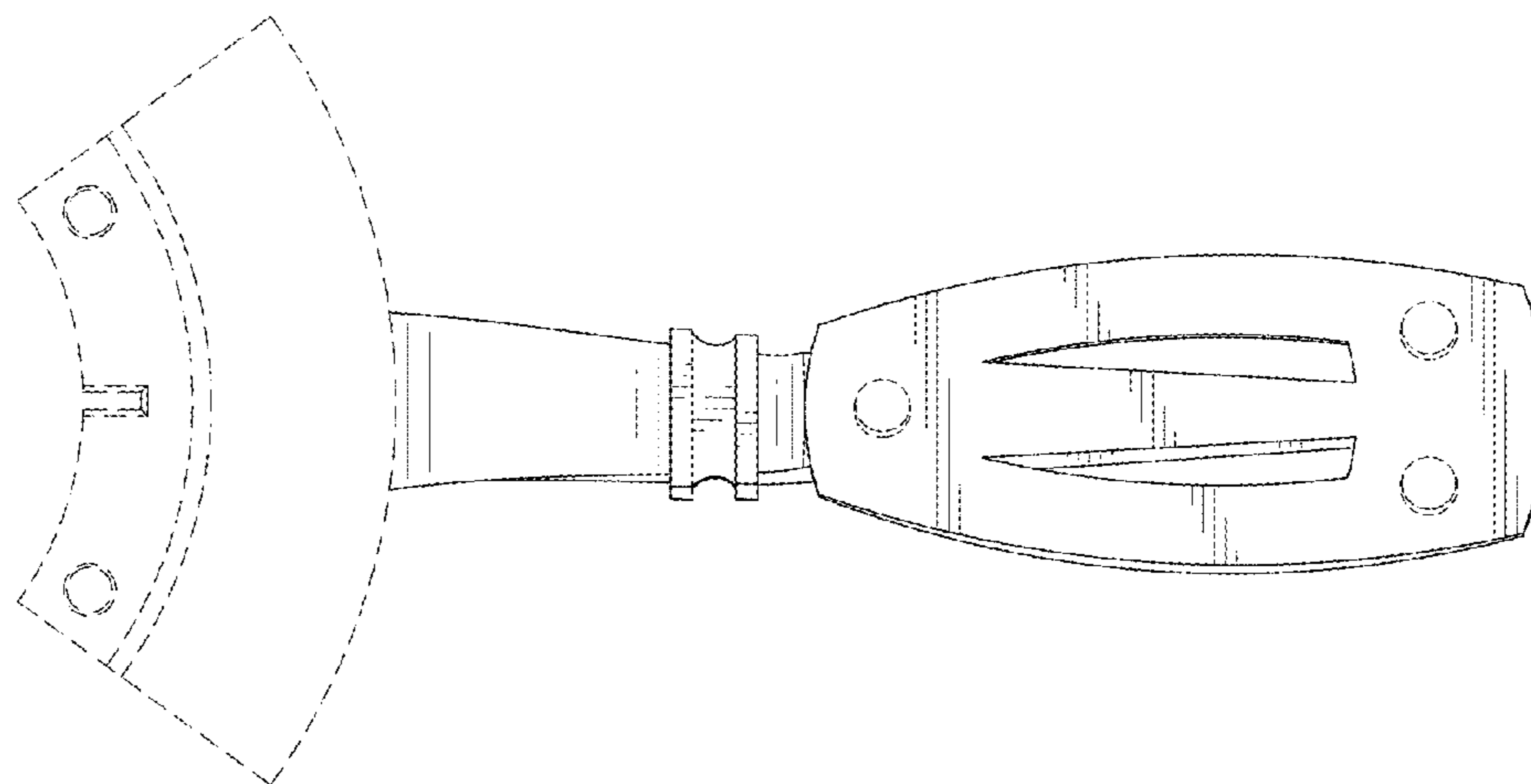


FIG. 6

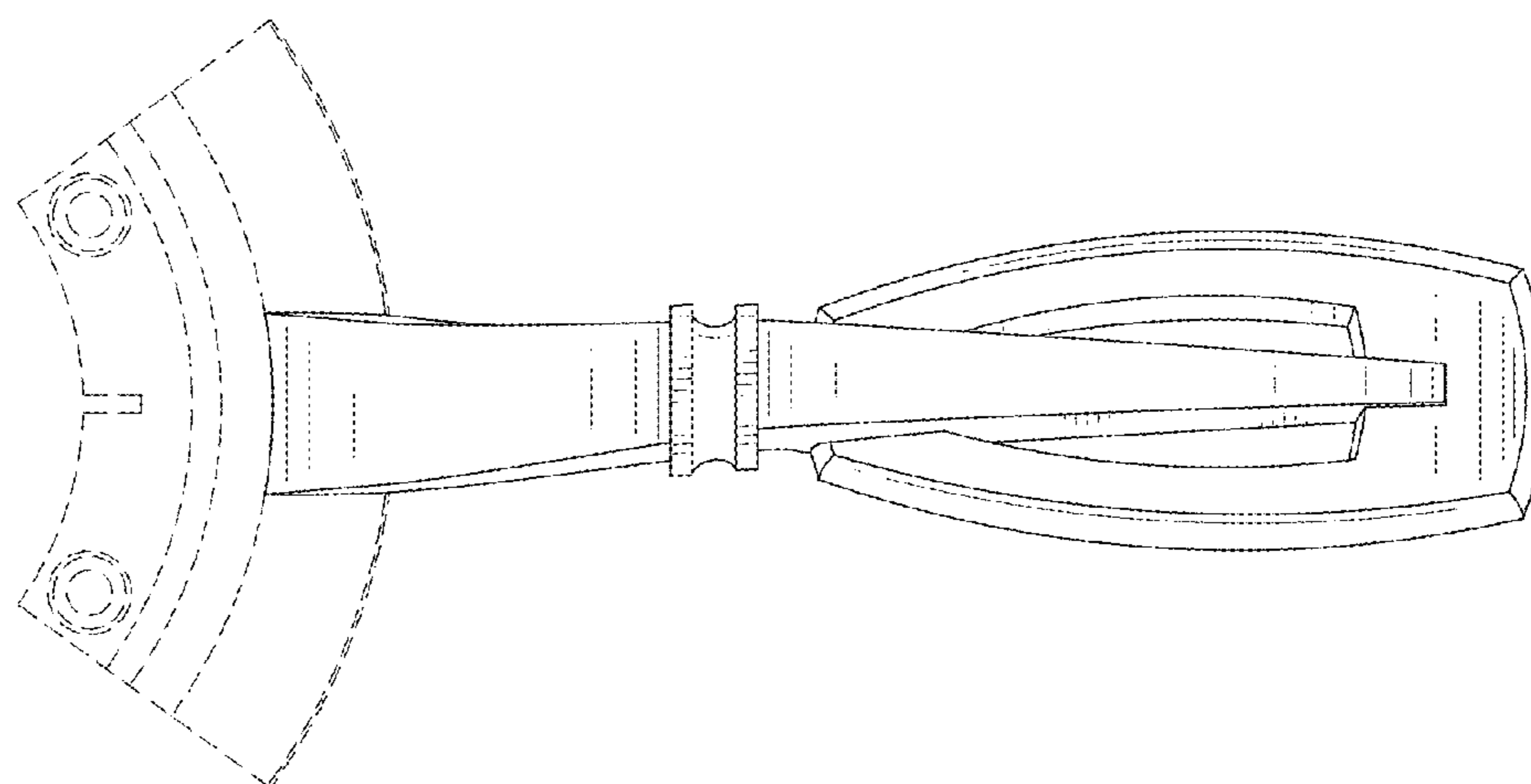


FIG. 7

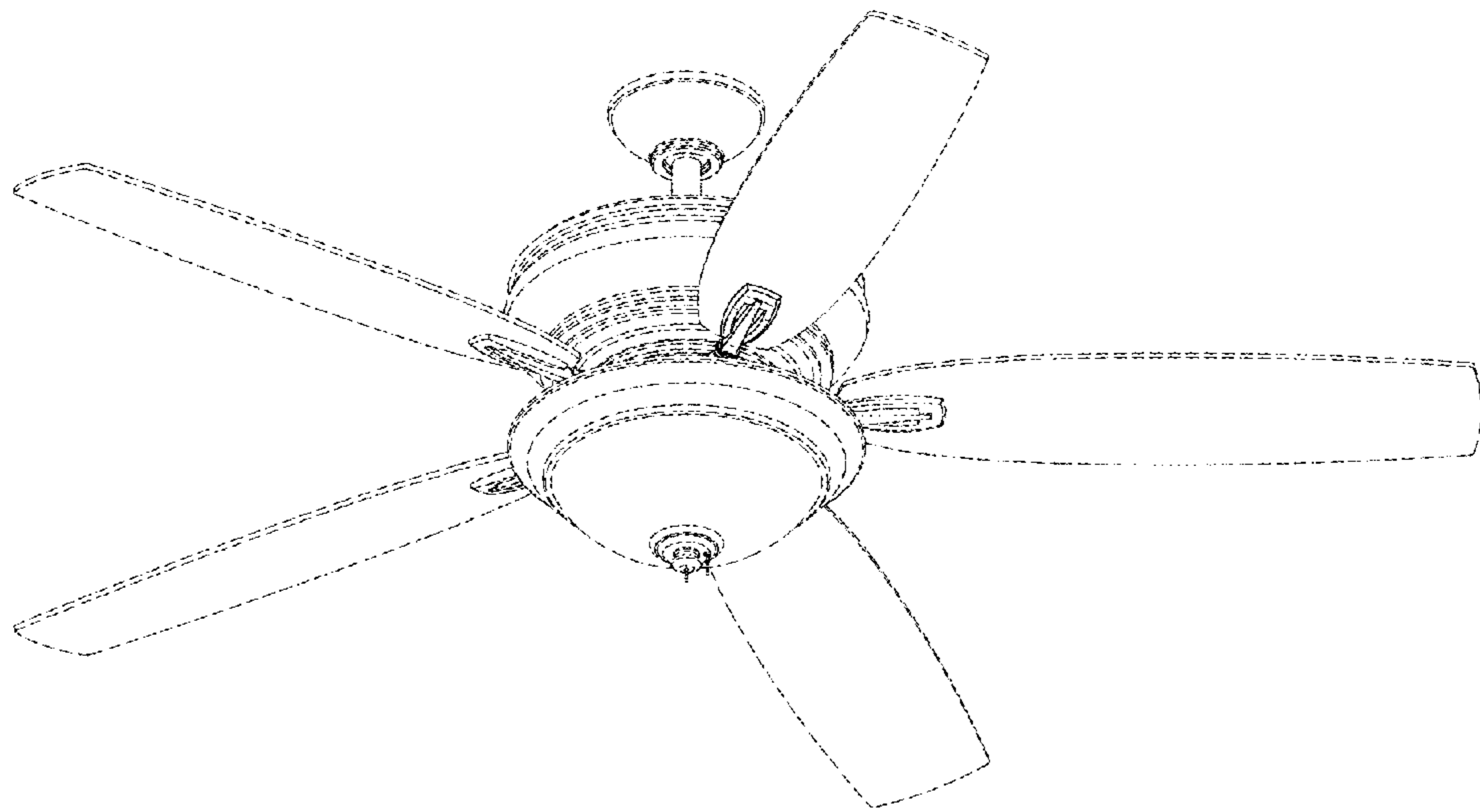


FIG. 8