



US00D710987S

(12) **United States Design Patent**  
**Glasbrenner**

(10) **Patent No.:** **US D710,987 S**

(45) **Date of Patent:** **\*\* Aug. 12, 2014**

(54) **FAN BLADE IRON**

(71) Applicant: **Air Cool Industrial Co., Ltd.**, Taichung (TW)

(72) Inventor: **Brian Glasbrenner**, Smyrna, GA (US)

(73) Assignee: **Air Cool Industrial Co., Ltd.**, Taichung (TW)

(\*\*) Term: **14 Years**

(21) Appl. No.: **29/435,802**

(22) Filed: **Oct. 29, 2012**

(51) **LOC (10) Cl.** ..... **23-04**

(52) **U.S. Cl.**  
USPC ..... **D23/411**

(58) **Field of Classification Search**

CPC ..... F04D 25/088; F04D 29/34; F04D 29/322;  
F04D 29/384; F01D 3/3015; F01D 5/323;  
F01D 5/30; F01D 25/28; F05D 2250/70;  
F05D 2240/80; F24F 2221/14; B63H 1/20;  
F21V 21/104; F21V 33/0096  
USPC ..... D23/411-414, 324, 331, 343, 385,  
D23/370-384, 387, 499; D8/323, 327, 349,  
D8/354, 373, 380-387, 394, 397, 398;  
D11/78.1, 86; 16/265, 382, 388, 389;  
392/364; 248/188, 243, 4, 398; 310/91,  
310/348; 416/5, 170 R, 214 R, 184, 206,  
416/207, 210 R, 220 R, 244 R, 248

See application file for complete search history.

(56) **References Cited**

**U.S. PATENT DOCUMENTS**

D382,955 S \* 8/1997 Liu ..... D23/411  
D395,498 S \* 6/1998 Gee, II ..... D23/411  
D441,442 S \* 5/2001 Williams ..... D23/377  
D453,826 S \* 2/2002 Hidalgo ..... D23/377  
D456,892 S \* 5/2002 Hsieh ..... D23/411

D456,893 S \* 5/2002 Hsieh ..... D23/411  
D458,363 S \* 6/2002 Hidalgo ..... D23/411  
D478,382 S \* 8/2003 Burns ..... D23/411  
D479,872 S \* 9/2003 Young ..... D23/377  
D480,797 S \* 10/2003 Young ..... D23/411  
D481,455 S \* 10/2003 Young ..... D23/411  
D482,774 S \* 11/2003 Stauffer ..... D23/411  
D483,850 S \* 12/2003 Tai ..... D23/377  
D485,897 S \* 1/2004 Tai ..... D23/377  
D498,837 S \* 11/2004 Thomas, Jr. .... D23/411  
D518,567 S \* 4/2006 Hidalgo ..... D23/411  
D522,133 S \* 5/2006 Florez ..... D23/411  
D522,135 S \* 5/2006 Hidalgo ..... D23/411  
D523,137 S \* 6/2006 Wang ..... D23/411  
D526,714 S \* 8/2006 Hidalgo ..... D23/411  
D531,720 S \* 11/2006 Hidalgo ..... D23/411  
D532,102 S \* 11/2006 Stauffer ..... D23/411  
D536,088 S \* 1/2007 Pickett ..... D23/411  
D537,521 S \* 2/2007 Shurtleff ..... D23/411  
D543,615 S \* 5/2007 Lee ..... D23/411

(Continued)

*Primary Examiner* — Susan Bennett Hattan

*Assistant Examiner* — Marie Fast Horse

(74) *Attorney, Agent, or Firm* — Ming Chow; Sinorica, LLC

(57) **CLAIM**

I claim the ornamental design for a fan blade iron, as shown and described.

**DESCRIPTION**

FIG. 1 is a front perspective view of a fan blade iron showing my new design;

FIG. 2 is a front elevational view thereof;

FIG. 3 is a rear elevational view thereof.

FIG. 4 is a left side elevational view thereof;

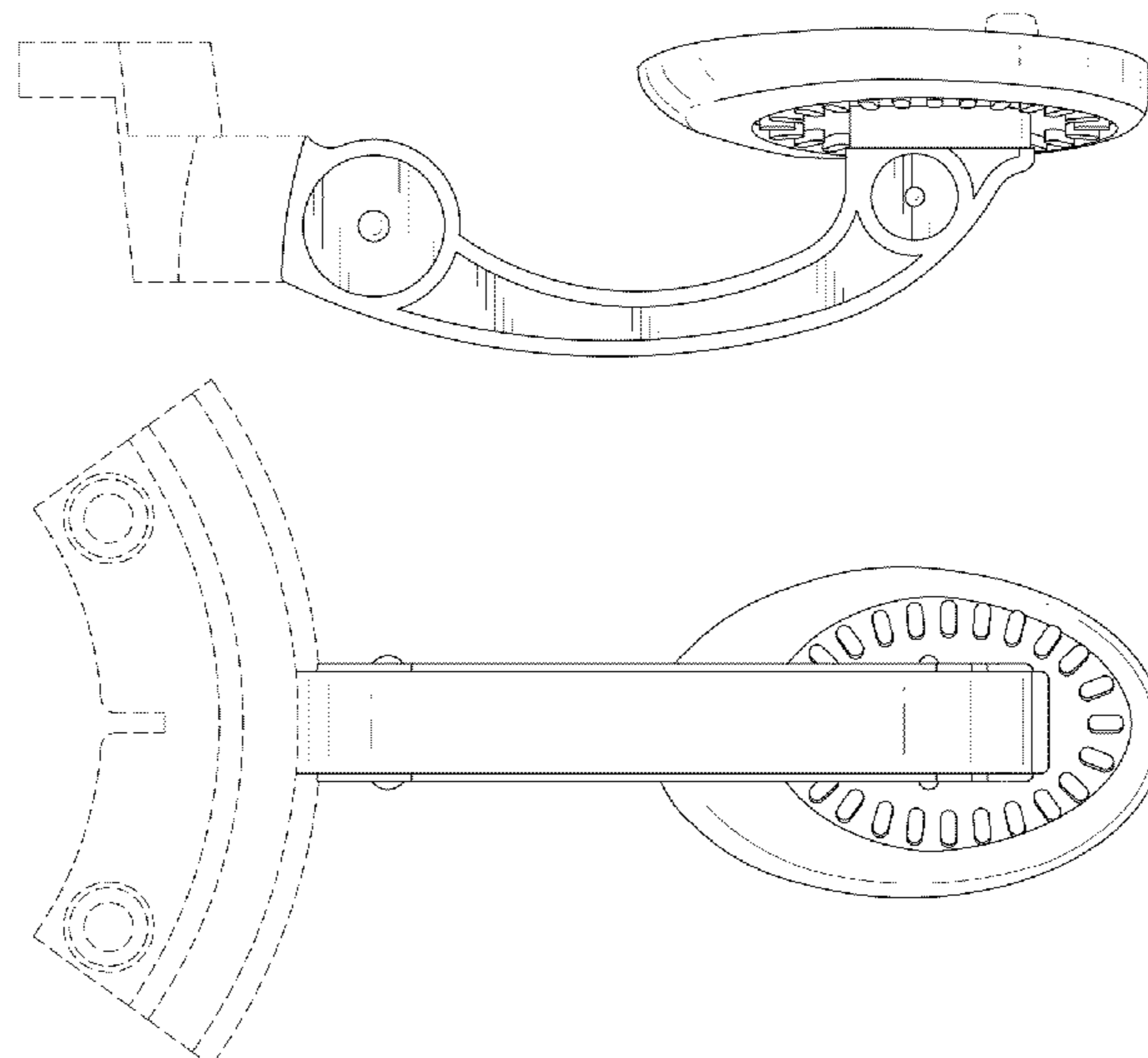
FIG. 5 is a right side elevational view thereof;

FIG. 6 is a top plan view thereof; and,

FIG. 7 is a bottom plan view thereof.

The broken lines in the drawings depict environmental subject matter only and form no part of the claimed design.

**1 Claim, 5 Drawing Sheets**



(56)

**References Cited**

U.S. PATENT DOCUMENTS

D544,597 S \* 6/2007 Ertze ..... D23/411  
D551,755 S \* 9/2007 Shurtleff ..... D23/411  
D551,758 S \* 9/2007 Shurtleff ..... D23/411  
D553,240 S \* 10/2007 Badarello ..... D23/411  
D556,886 S \* 12/2007 Flores ..... D23/411  
D564,652 S \* 3/2008 Pan ..... D23/411  
D565,724 S \* 4/2008 Hidalgo ..... D23/411

D566,258 S \* 4/2008 Bucher et al. .... D23/377  
D567,357 S \* 4/2008 Curtin ..... D23/411  
7,384,242 B2 \* 6/2008 Ming ..... 416/210 R  
D579,316 S \* 10/2008 Lee ..... D8/331  
D581,514 S \* 11/2008 Pickett ..... D23/411  
D583,923 S \* 12/2008 Bucher et al. .... D23/377  
D597,654 S \* 8/2009 Orozco ..... D23/411  
D607,944 S \* 1/2010 Merner et al. .... D20/99  
D671,634 S \* 11/2012 Glasbrenner ..... D23/411

\* cited by examiner

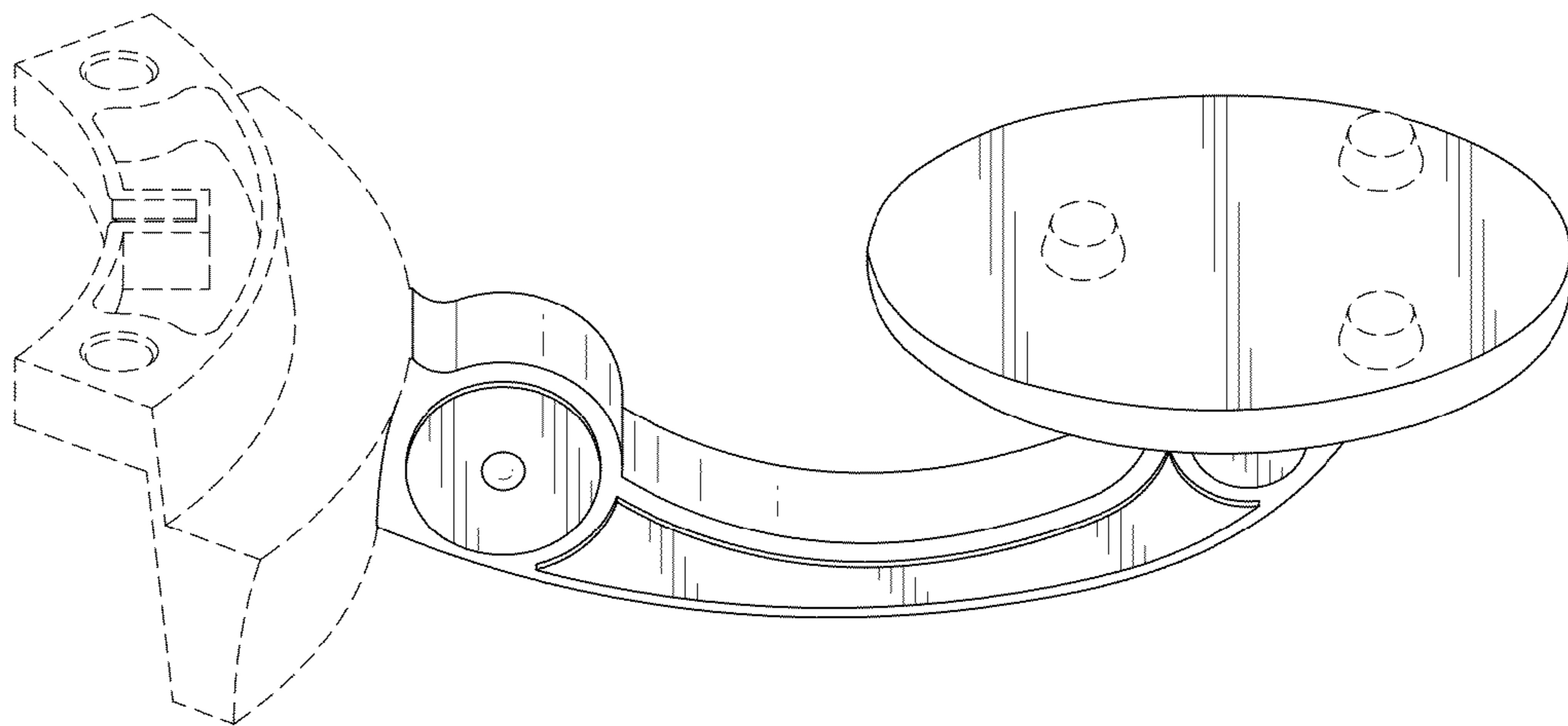


FIG. 1

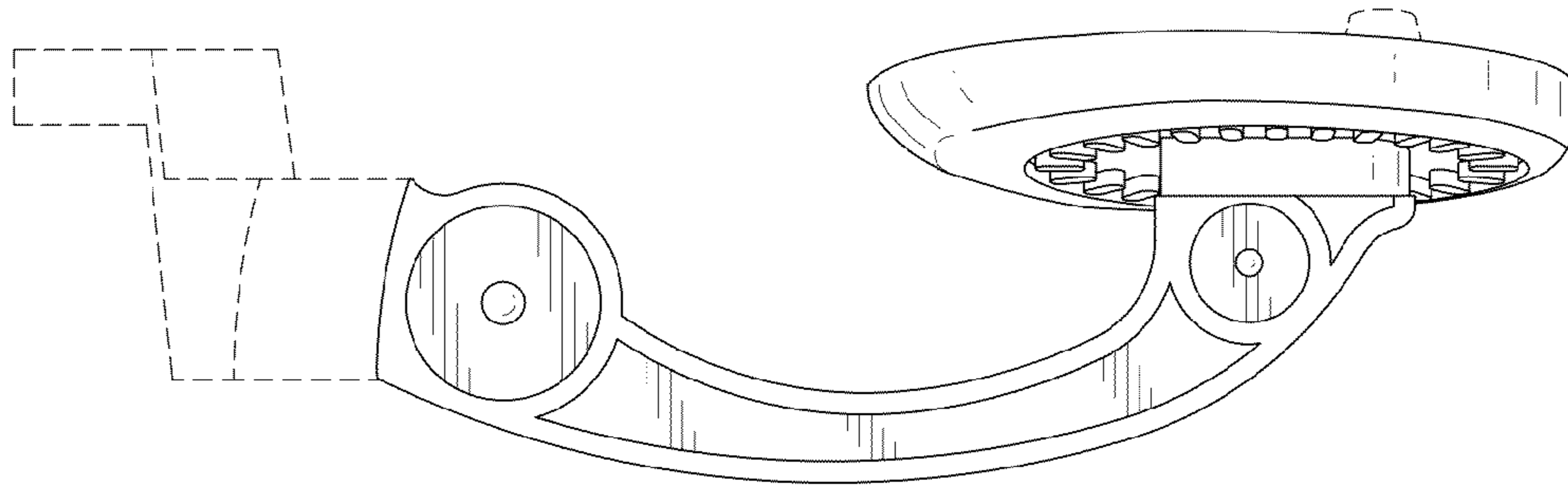


FIG. 2

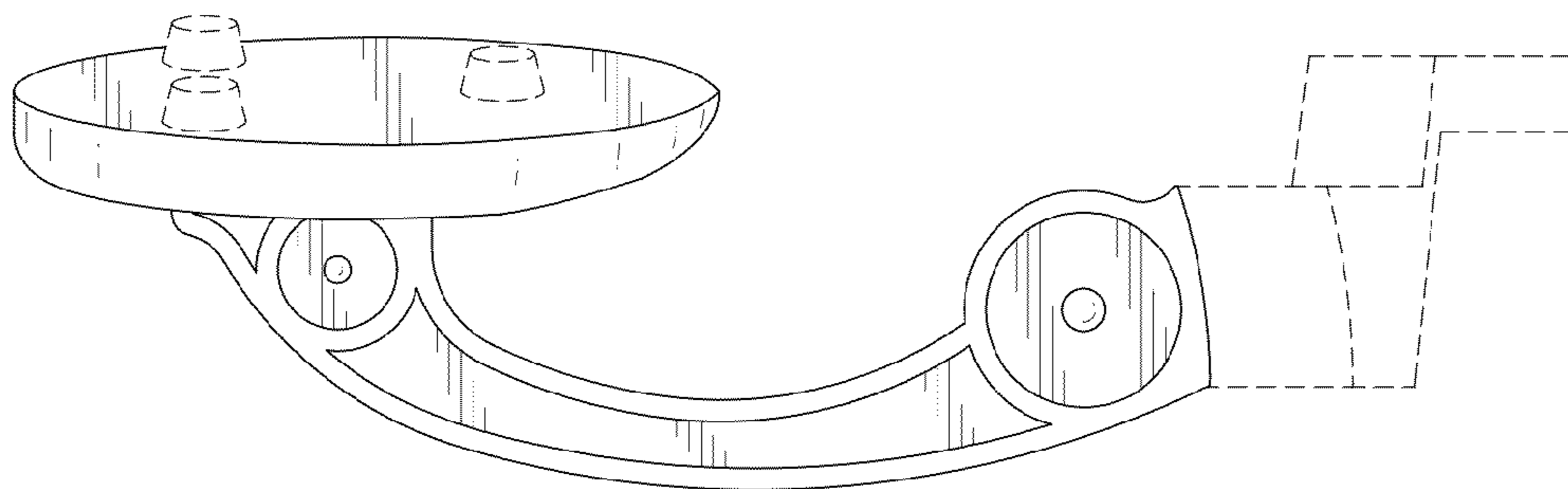


FIG. 3

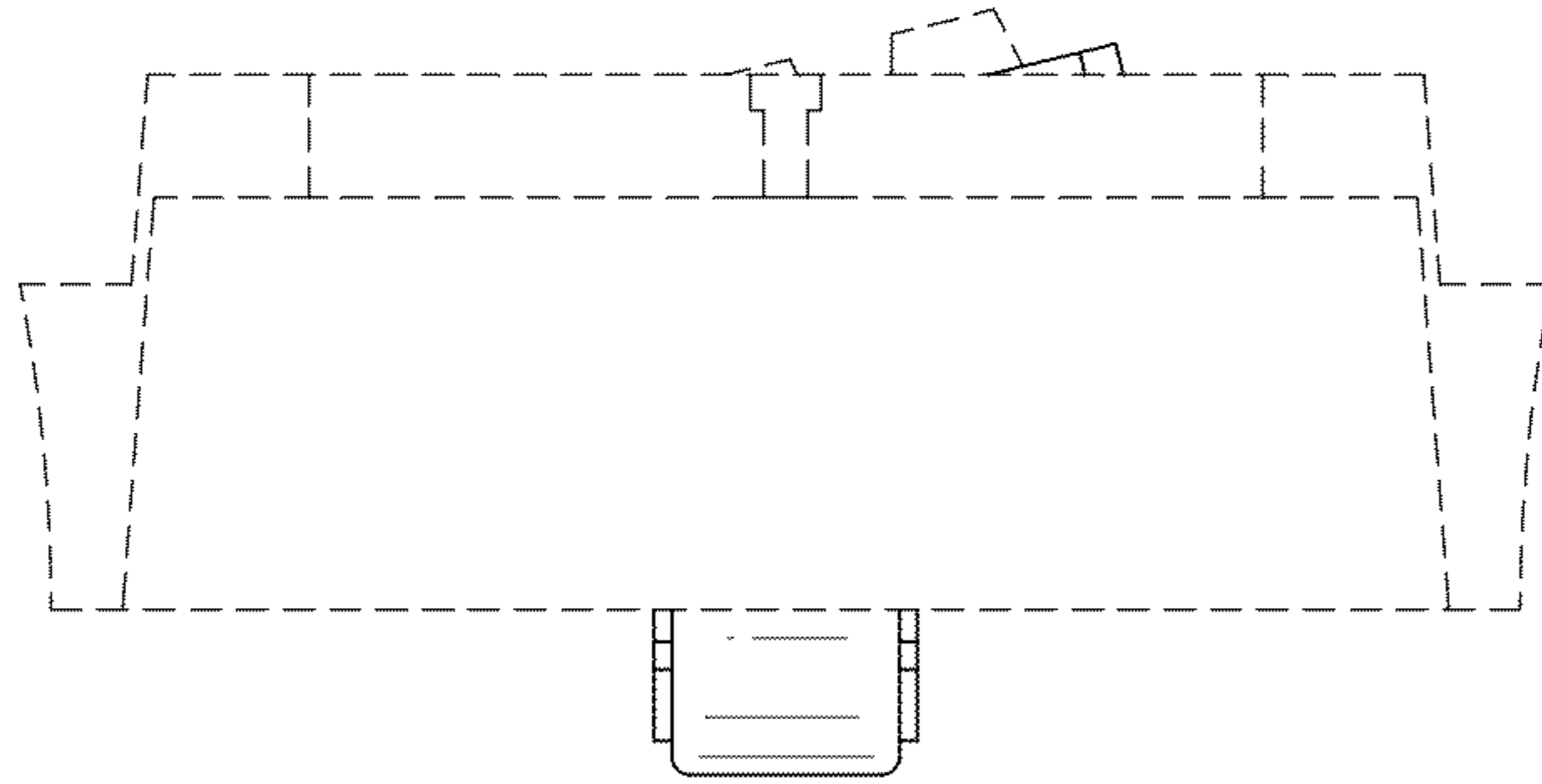


FIG. 4

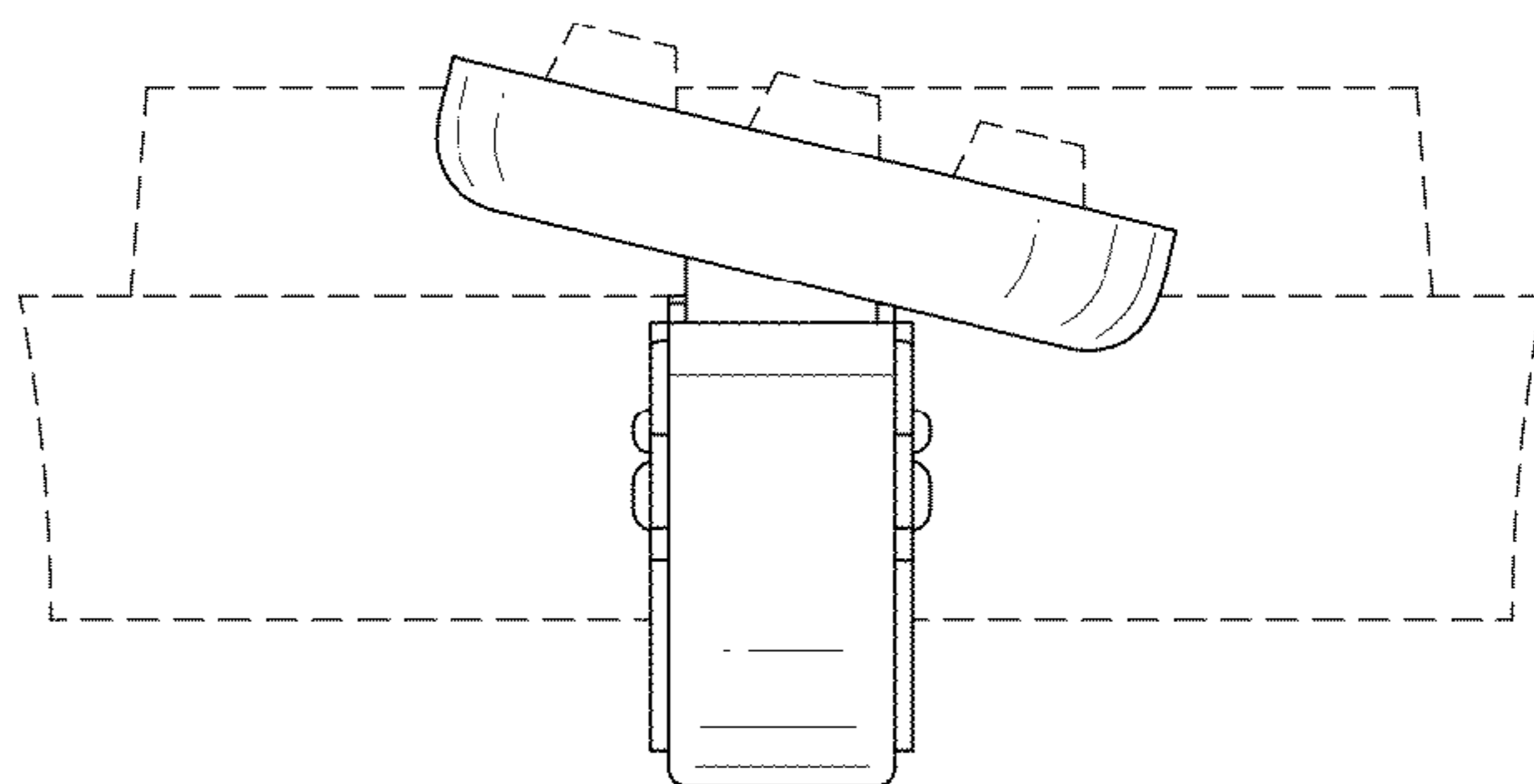


FIG. 5

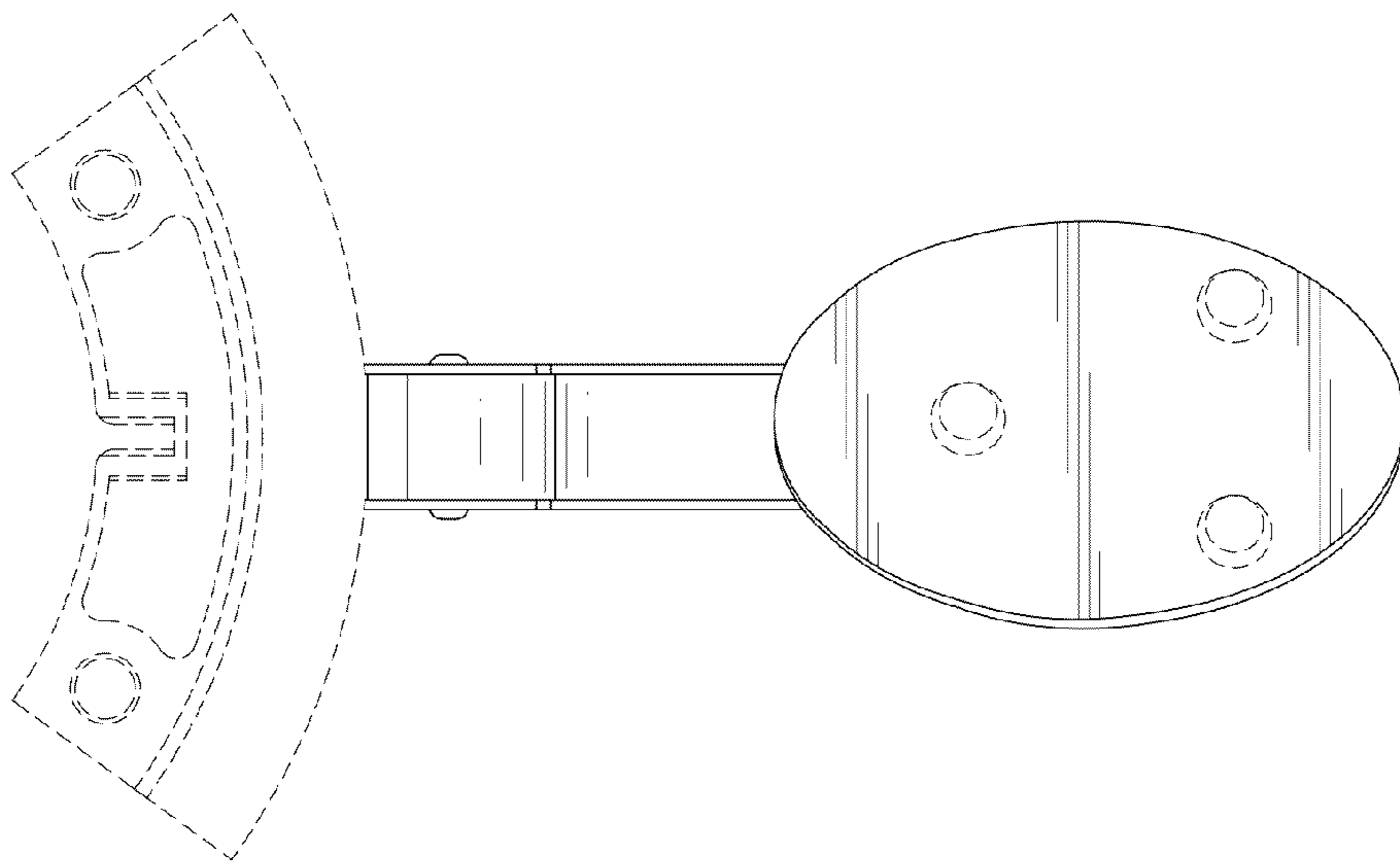


FIG. 6

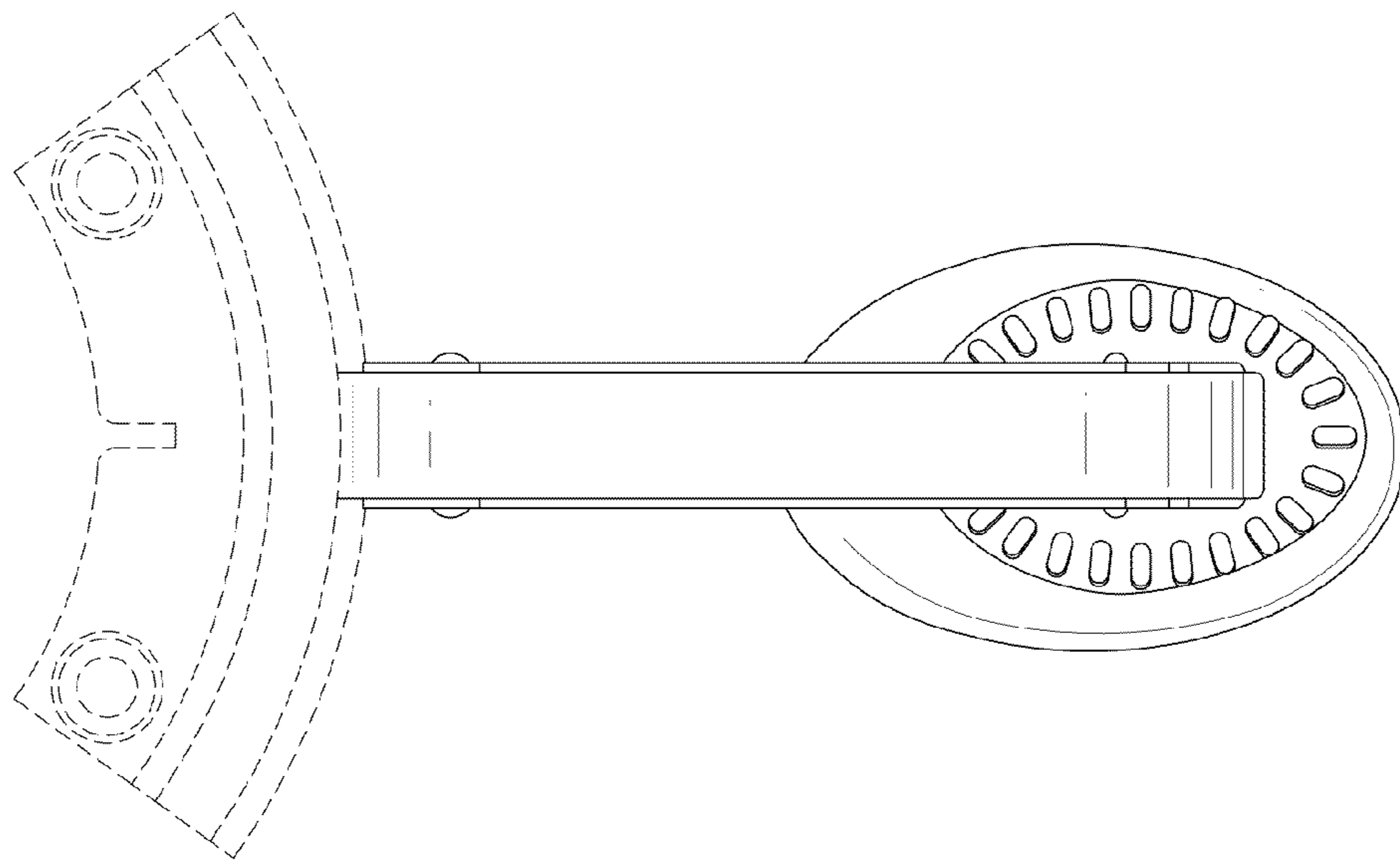


FIG. 7