



US00D710986S

(12) **United States Design Patent**
Wang

(10) **Patent No.:** **US D710,986 S**

(45) **Date of Patent:** **** Aug. 12, 2014**

(54) **FAN BLADE BRACKET**

(75) Inventor: **Cliff Wang**, Taichung (TW)

(73) Assignee: **Air Cool Industrial Co., Ltd.**, Taichung (TW)

(**) Term: **14 Years**

(21) Appl. No.: **29/426,166**

(22) Filed: **Jul. 2, 2012**

(51) **LOC (10) Cl.** **23-04**

(52) **U.S. Cl.**
USPC **D23/411**

(58) **Field of Classification Search**

CPC F04D 25/088; F04D 29/34; F04D 29/322;
F04D 29/384; F01D 5/3015; F01D 5/323;
F01D 5/30; F01D 25/28; F05D 2250/70;
F05D 2240/80; F24F 2221/14; B63H 1/20;
F21V 21/104; F21V 33/0096
USPC D23/411-414, 324, 331, 343, 385,
D23/370-384, 387, 499; D8/323, 327, 349,
D8/354, 373, 380-387, 394, 397, 398;
D11/78.1, 86; 16/265, 382, 388, 389;
392/364; 248/188.4, 243, 398, 342;
310/91, 348; 416/5, 170 R, 214 R, 184,
416/206, 207, 210 R, 220 R, 244 R, 248;
D22/124

See application file for complete search history.

(56) **References Cited**

U.S. PATENT DOCUMENTS

D210,204 S * 2/1968 Vernon D22/124
D280,972 S * 10/1985 Leotta D8/331
D328,951 S * 8/1992 Scofield et al. D23/411
D409,302 S * 5/1999 Zuege D23/411
D416,780 S * 11/1999 Schultz D8/343
6,049,946 A * 4/2000 Cress et al. 16/240
D445,891 S * 7/2001 Hsieh D23/411

D464,132 S * 10/2002 Campbell D23/411
D477,399 S * 7/2003 Johnson D23/411
D479,318 S * 9/2003 Johnson D23/411
6,863,499 B2 * 3/2005 Pearce 416/210 R
D505,197 S * 5/2005 Tai D23/411
D510,430 S * 10/2005 Tai D23/411
D520,630 S * 5/2006 Pickett D23/411
D531,303 S * 10/2006 Glasbrenner D23/411
D533,267 S * 12/2006 Pan D23/411
D533,654 S * 12/2006 Burns D23/411
7,163,377 B2 * 1/2007 Blateri et al. 416/210 R
D547,433 S * 7/2007 Wang D23/411
D551,337 S * 9/2007 Pickett D23/411
D552,229 S * 10/2007 Shurtleff D23/411
D562,968 S * 2/2008 Pickett D23/411
D570,993 S * 6/2008 Hidalgo D23/411
D572,814 S * 7/2008 Bucher et al. D23/377
D594,540 S * 6/2009 Pan D23/377
D594,549 S * 6/2009 Pan D23/411
7,584,523 B1 * 9/2009 Finkelstein et al. 16/260

(Continued)

Primary Examiner — Susan Bennett Hattan

Assistant Examiner — Marie Fast Horse

(74) *Attorney, Agent, or Firm* — Ming Chow; Sinorica, LLC

(57) **CLAIM**

I claim the ornamental design for a fan blade bracket, as shown and described.

DESCRIPTION

FIG. 1 is a front perspective view of a fan blade bracket showing my new design;

FIG. 2 is a front elevational view thereof;

FIG. 3 is a rear elevational view thereof.

FIG. 4 is a left side elevational view thereof;

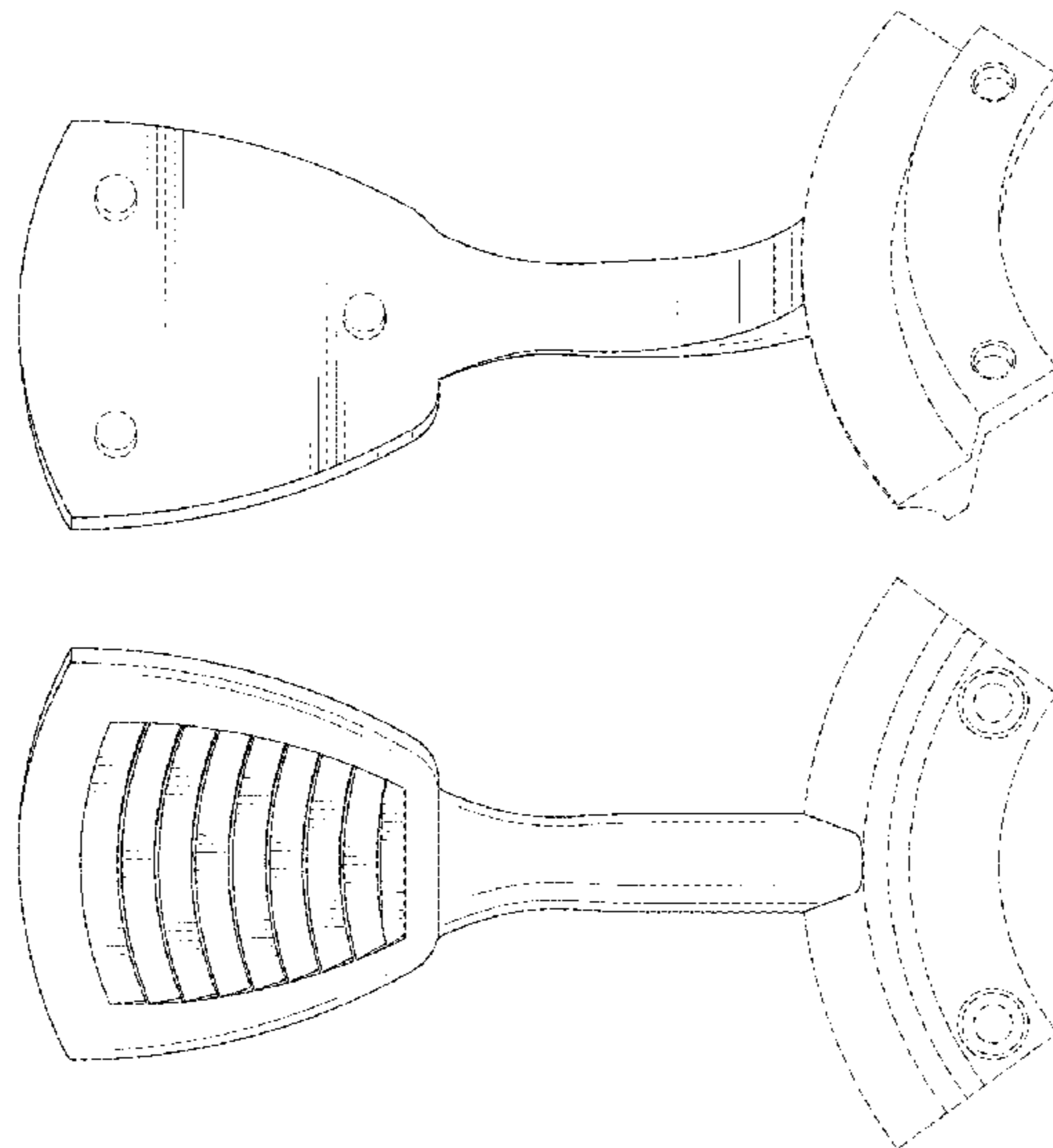
FIG. 5 is a right side elevational view thereof;

FIG. 6 is a top plan view thereof; and,

FIG. 7 is a bottom plan view thereof.

The broken lines in the drawings depict environmental subject matter only and form no part of the claimed design.

1 Claim, 4 Drawing Sheets



US D710,986 S

Page 2

(56)

References Cited

U.S. PATENT DOCUMENTS

8,020,253 B1 *	9/2011	Finkelstein et al.	16/250
2007/0258821 A1 *	11/2007	Pearce	416/210 R
2007/0297911 A1 *	12/2007	Brookins	416/244 R
7,857,592 B2 *	12/2010	Bucher et al.	416/210 R
7,870,642 B1 *	1/2011	Finkelstein et al.	16/260

* cited by examiner

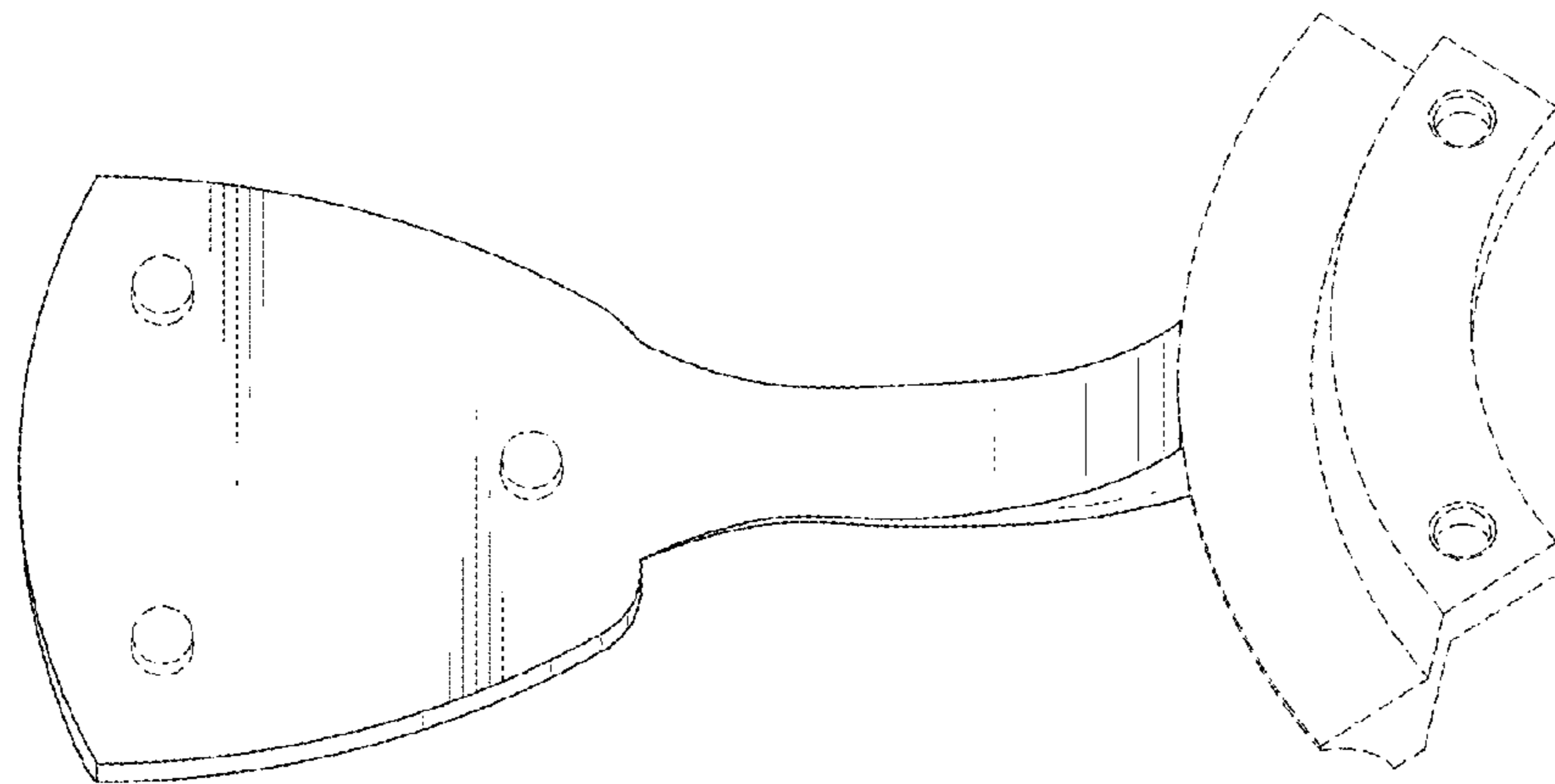


FIG. 1

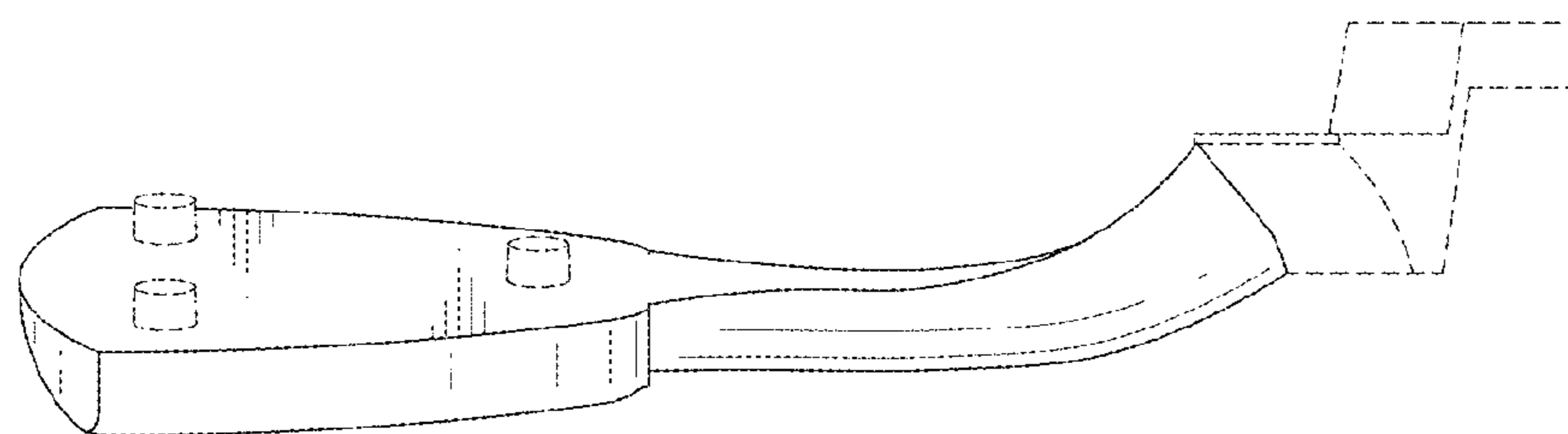


FIG. 2

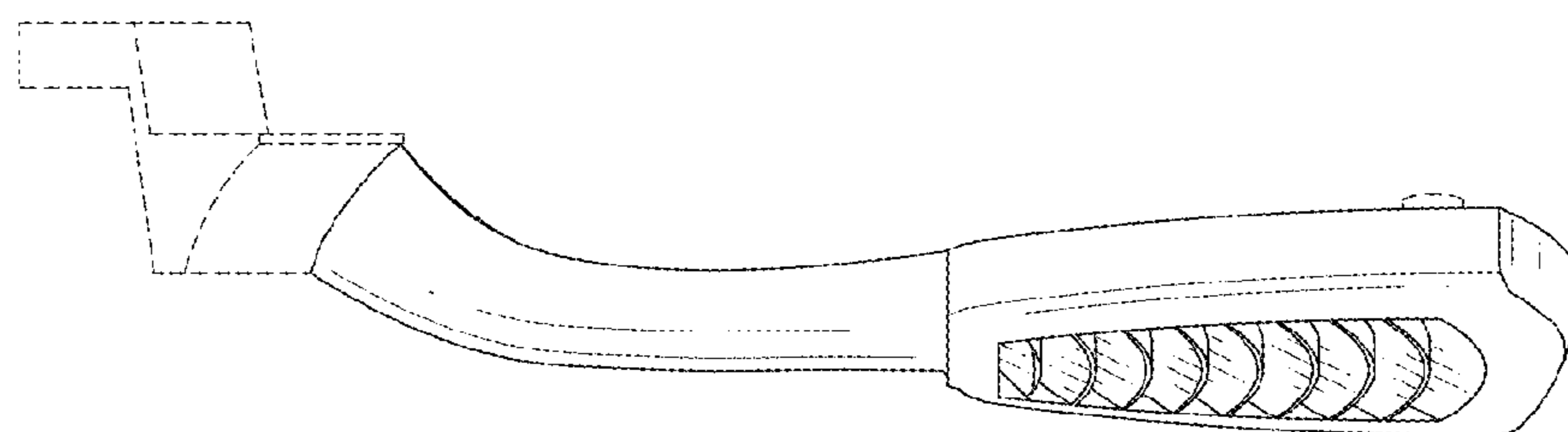


FIG. 3

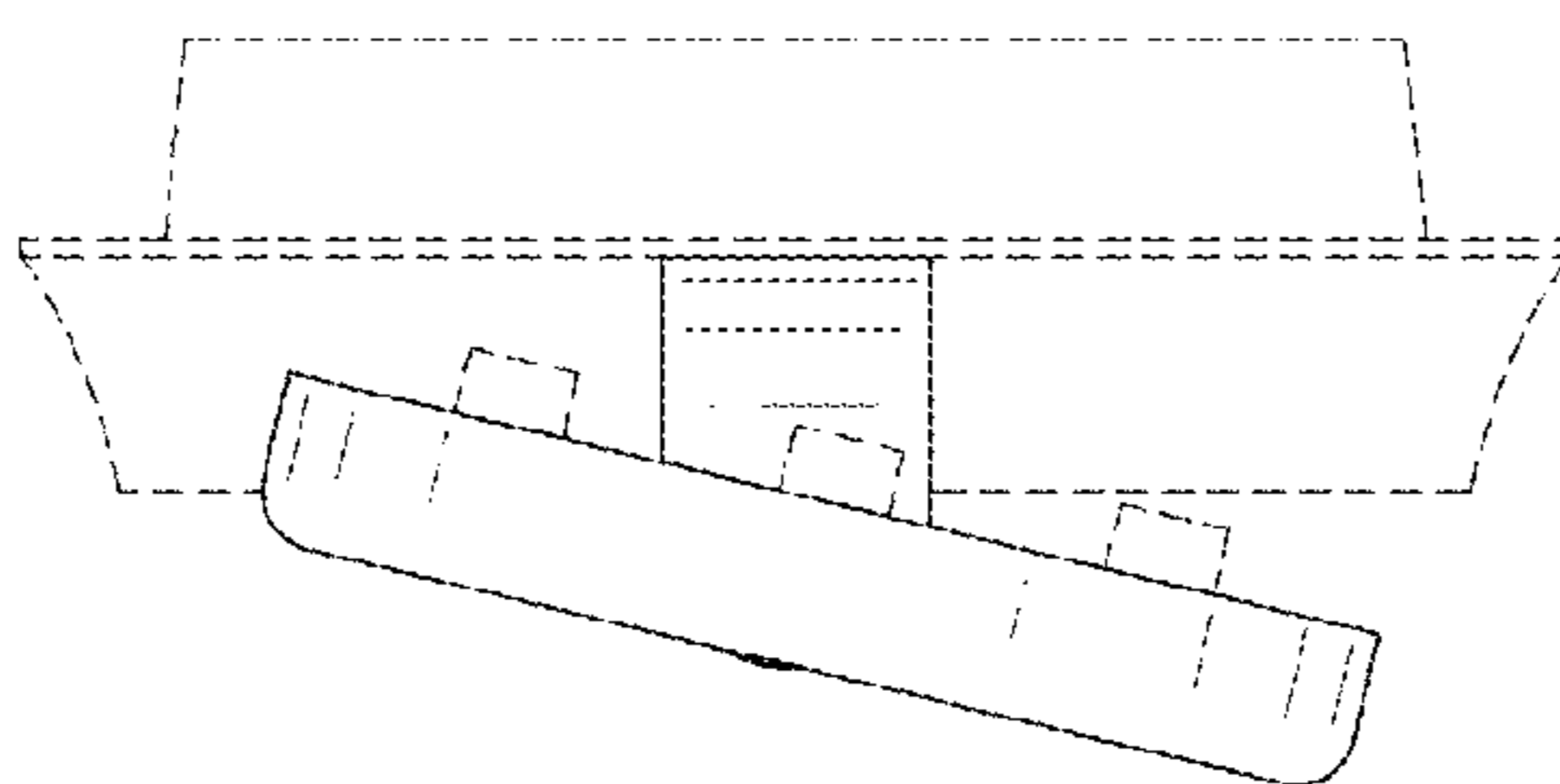


FIG. 4

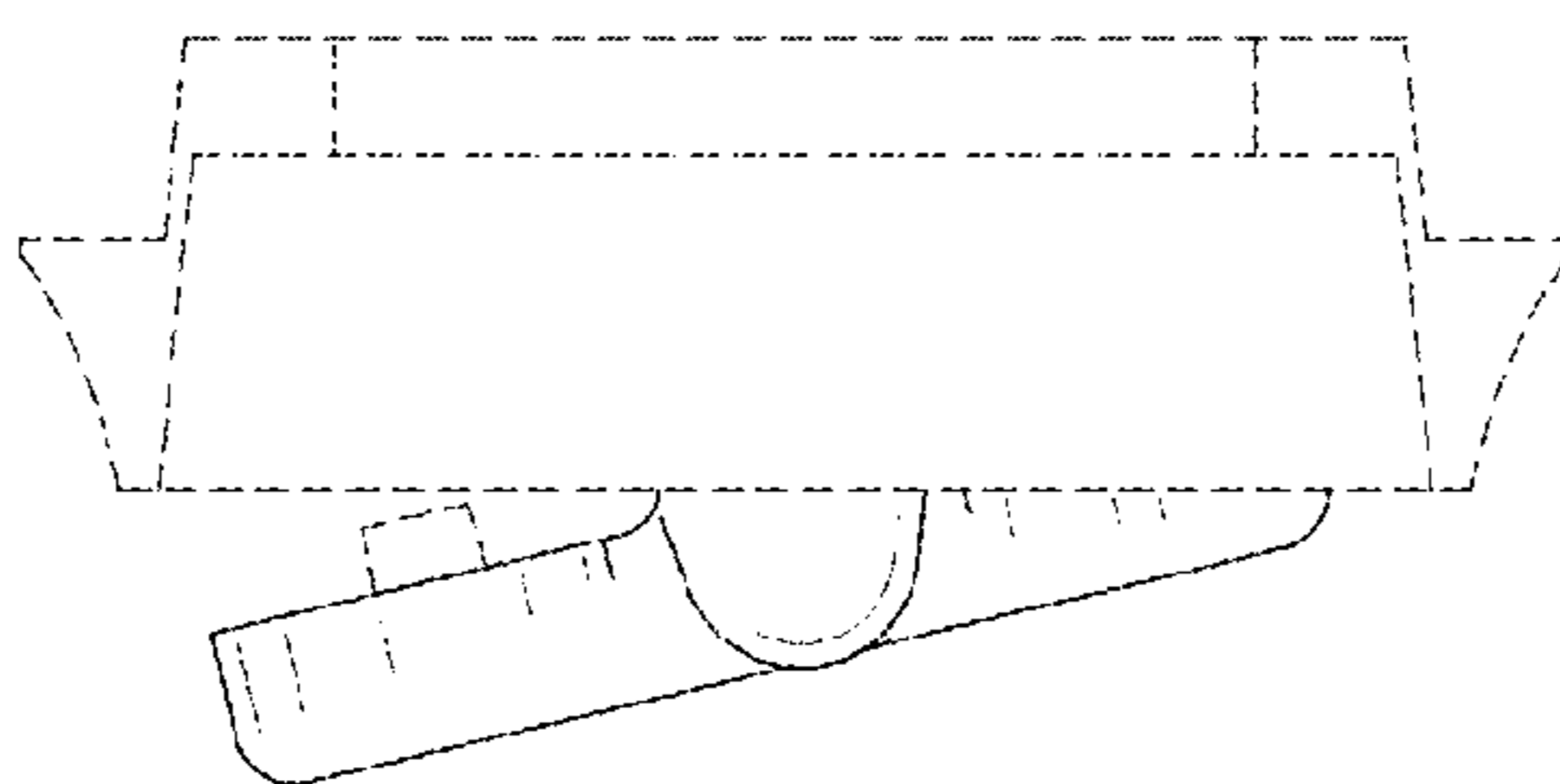


FIG. 5

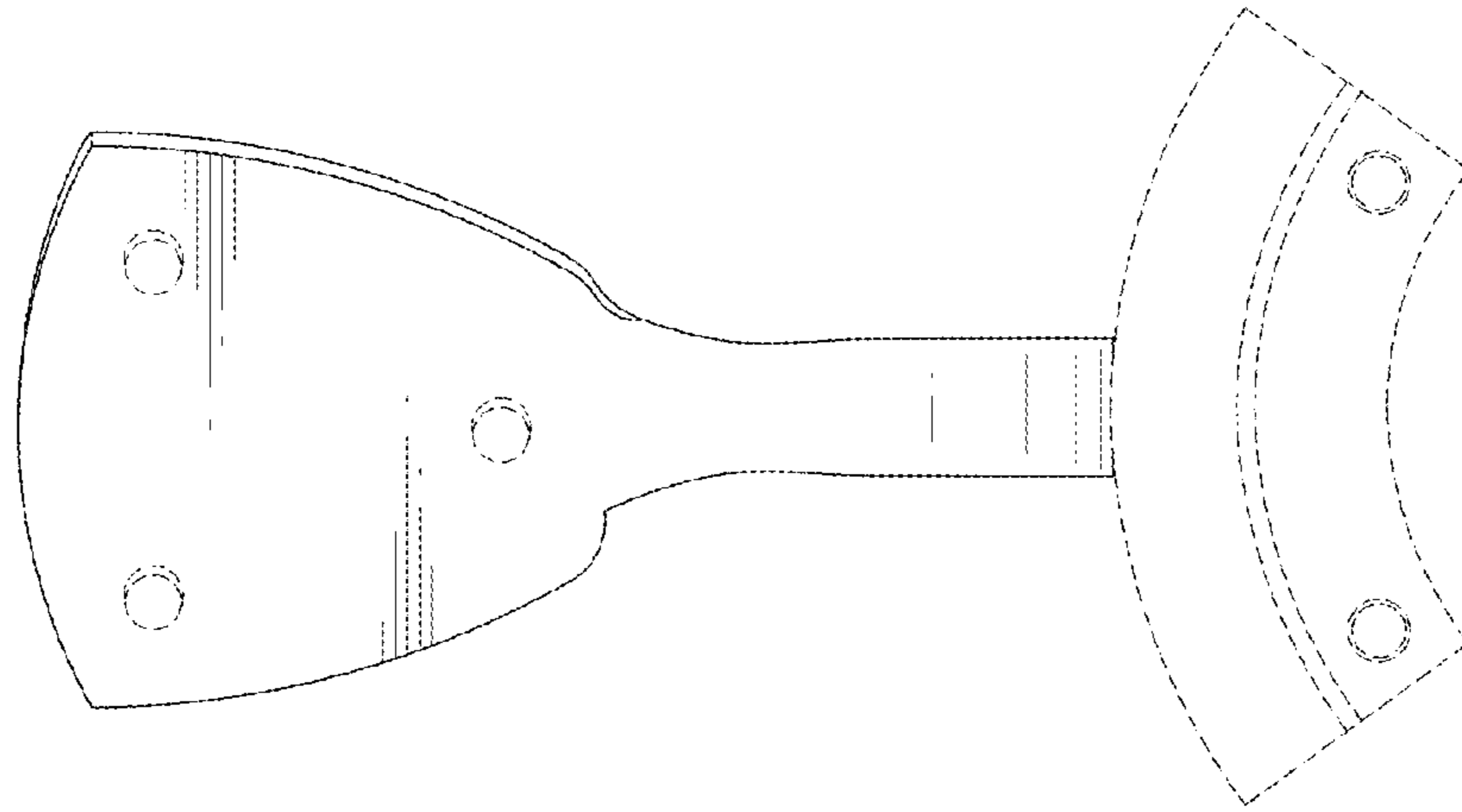


FIG. 6

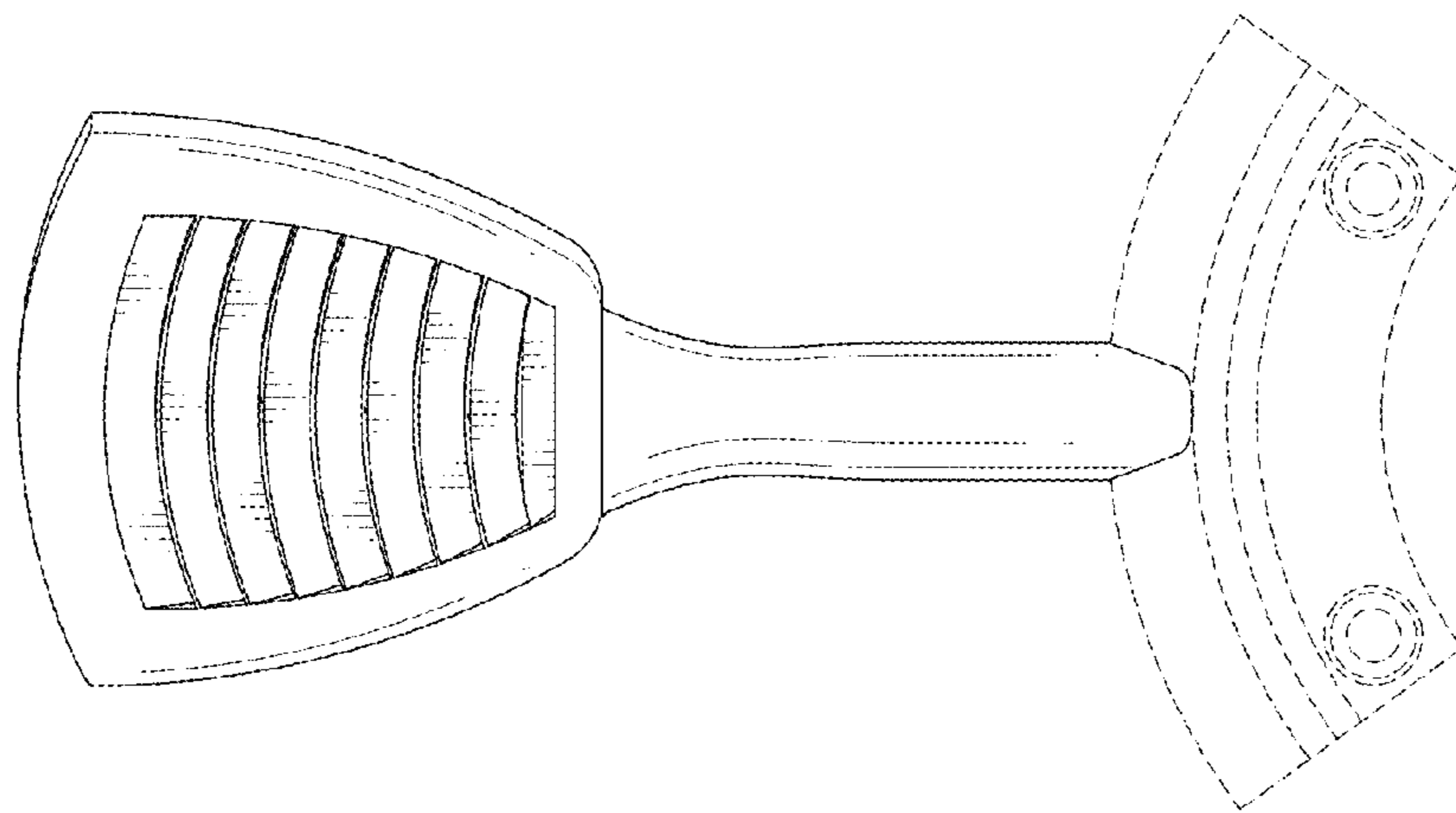


FIG. 7