



US00D710985S

(12) **United States Design Patent**
Gassman et al.

(10) **Patent No.:** **US D710,985 S**

(45) **Date of Patent:** **** Aug. 12, 2014**

(54) **ROOF VENT**

(71) Applicant: **Owens Corning Intellectual Capital, LLC**, Toledo, OH (US)

(72) Inventors: **Paul E. Gassman**, Newark, OH (US);
Christopher C. Freidner, Granville, OH (US)

(73) Assignee: **Owens Corning Intellectual Capital, LLC**, Toledo, OH (US)

(**) Term: **14 Years**

(21) Appl. No.: **29/434,133**

(22) Filed: **Oct. 10, 2012**

(51) **LOC (10) Cl.** **23-04**

(52) **U.S. Cl.**
USPC **D23/373; D23/386**

(58) **Field of Classification Search**
USPC D23/370–385, 411–414, 365, 364, 328,
D23/314, 386–394, 259; 415/60, 66, 68,
415/208.1, 213.1, 214.1; 310/257; 361/695;
126/299 D, 299 R; D26/51, 72, 73;
D32/15, 16; 416/189; D13/179;
454/358–368; D25/199; 285/13, 43,
285/44; 52/58, 219

See application file for complete search history.

(56) **References Cited**

U.S. PATENT DOCUMENTS

2,724,872	A	11/1955	Herbes	
3,189,471	A	6/1965	Thomas	
D203,484	S *	1/1966	Rousey et al. D23/373
3,484,259	A	12/1969	Lewis et al.	
3,524,738	A	8/1970	Grubb et al.	
3,535,096	A	10/1970	Bour et al.	

(Continued)

FOREIGN PATENT DOCUMENTS

DE	3935600	3/1990
GB	428720	5/1935

(Continued)

OTHER PUBLICATIONS

Part 1—Request for Inter Partes Reexamination of US Patent No. 6,793,574, Control No. 95/001,952 dated Mar. 29, 2012 (pp. 1-100).

(Continued)

Primary Examiner — Susan Bennett Hattan

Assistant Examiner — Janice Hallmark

(74) *Attorney, Agent, or Firm* — Calfee, Halter & Griswold LLP

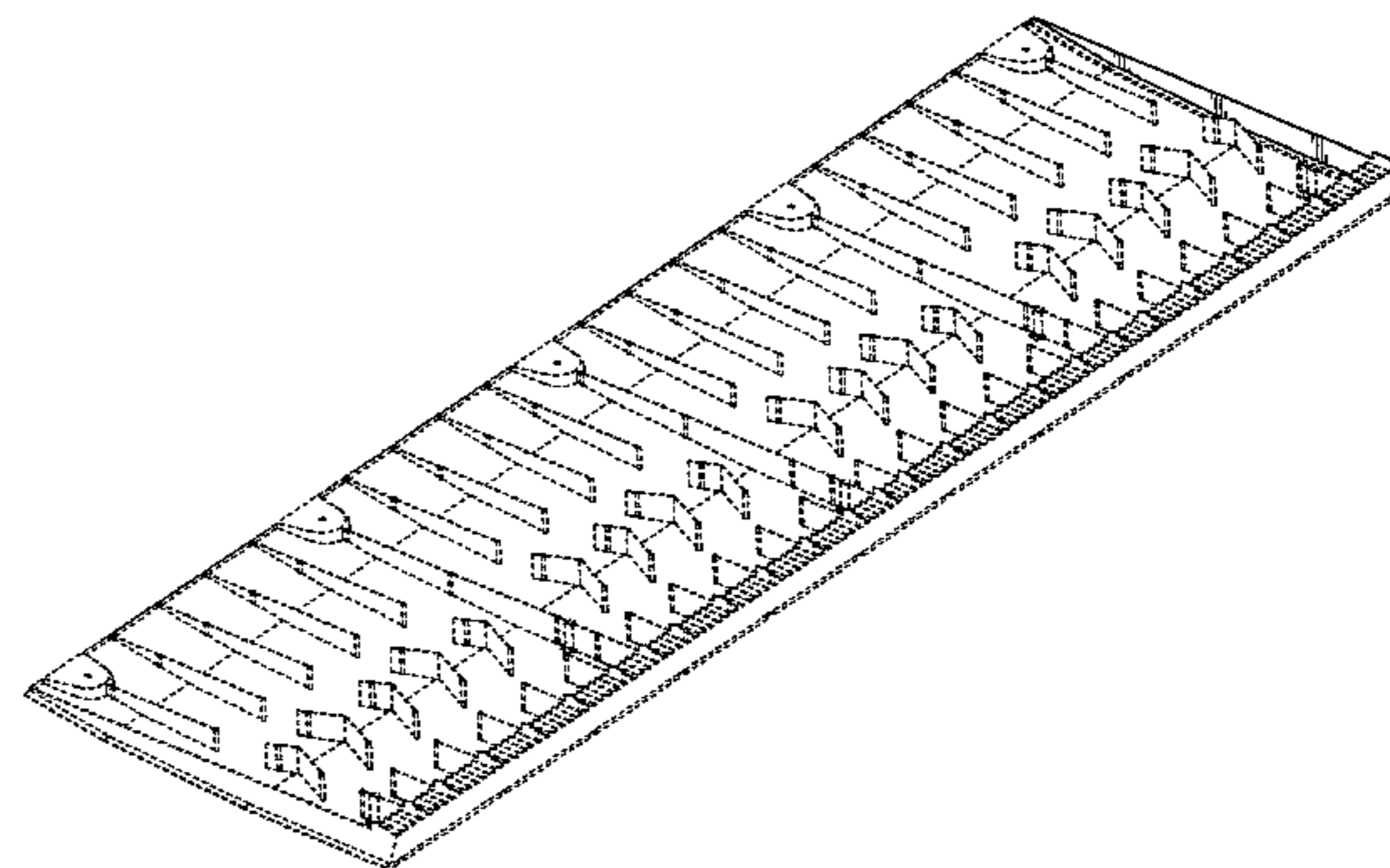
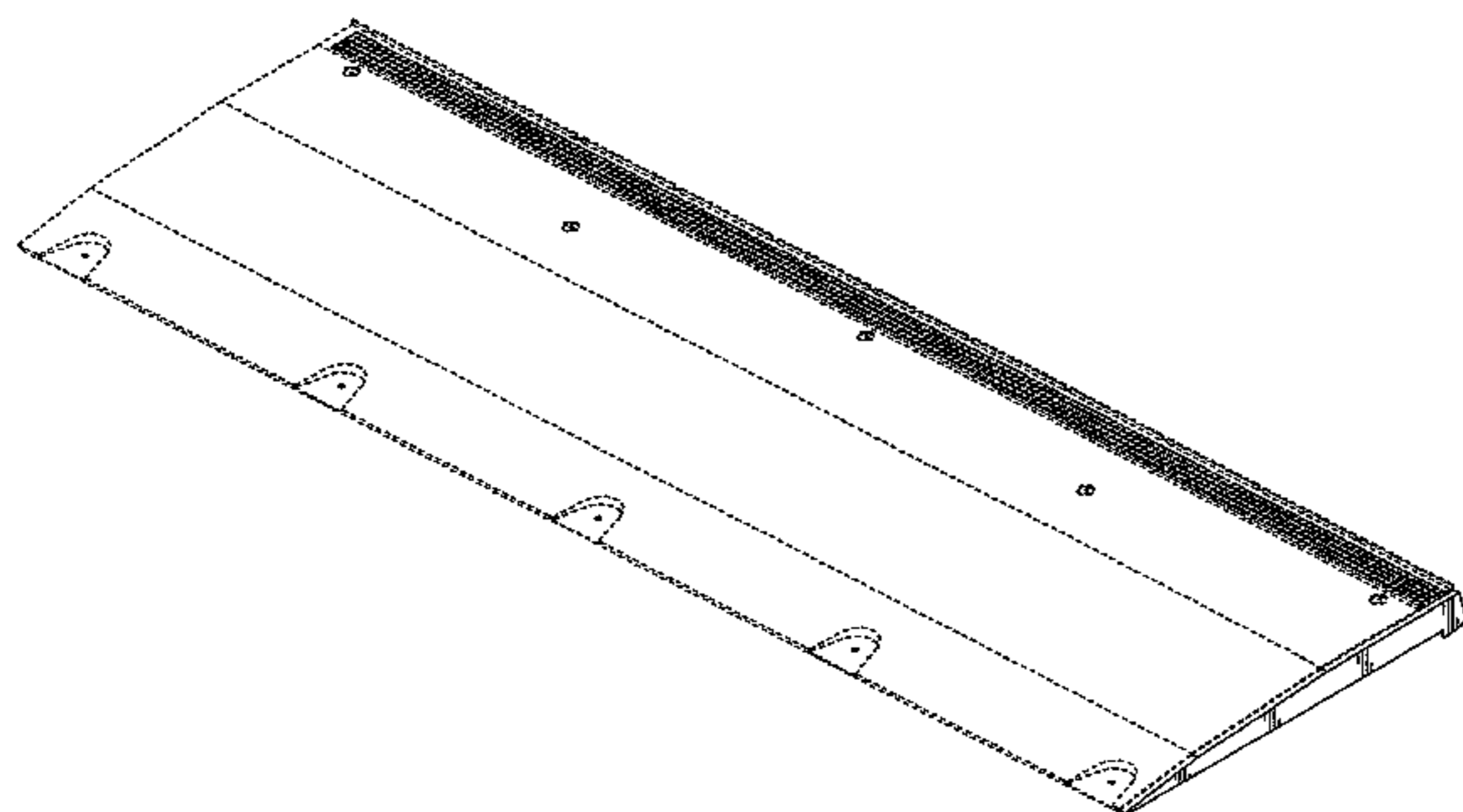
(57) **CLAIM**

The ornamental design for a roof vent, as shown and described.

DESCRIPTION

FIG. 1 is a top isometric view of an exemplary embodiment of a roof vent, showing my new design;
FIG. 2 is a bottom isometric view of the roof vent of FIG. 1;
FIG. 3 is a top plan view of the roof vent of FIG. 1;
FIG. 4 is a bottom plan view of the roof vent of FIG. 1;
FIG. 5 is a front view of the roof vent of FIG. 1;
FIG. 6 is a rear view of the roof vent of FIG. 1;
FIG. 7 is a right side view of the roof vent of FIG. 1; and,
FIG. 8 is a left side view of the roof vent of FIG. 1.
The broken lines in the drawings depict environmental subject matter only and form no part of the claimed design.

1 Claim, 5 Drawing Sheets



(56)

References Cited

U.S. PATENT DOCUMENTS

3,625,134 A	12/1971	Smith	6,399,527 B1	6/2002	Kishimoto et al.
3,694,982 A	10/1972	Gerhafer	D462,790 S	9/2002	Bullinger et al.
3,804,646 A	4/1974	Dumbaugh, Jr.	6,457,943 B1	10/2002	Olsen et al.
3,861,926 A	1/1975	Irlam et al.	6,482,084 B2	11/2002	Hansen
3,887,386 A	6/1975	Majumdar	6,491,581 B1	12/2002	Mankowski
3,892,581 A	7/1975	Burgman et al.	6,540,508 B1	4/2003	Simpson et al.
3,904,423 A	9/1975	Guthrie	6,565,431 B1	5/2003	Villela
4,063,001 A	12/1977	Zlochower	6,579,599 B1	6/2003	Blum et al.
4,199,364 A	4/1980	Neely	6,684,581 B2	2/2004	Robinson et al.
4,325,724 A	4/1982	Froberg	6,686,304 B1	2/2004	Wallenberger
4,366,251 A	12/1982	Rapp	6,793,574 B1	9/2004	Robinson
4,375,527 A	3/1983	Zahner	6,809,050 B1	10/2004	McGinnis
4,491,951 A	1/1985	Dunn	D503,790 S	4/2005	Dodge et al.
4,582,748 A	4/1986	Eastes	6,881,144 B2	4/2005	Hansen et al.
4,643,080 A	2/1987	Trostle et al.	6,933,045 B2	8/2005	Tamura
4,676,147 A	6/1987	Mankowski	6,933,252 B2	8/2005	Pierce
4,764,487 A	8/1988	Lewis	D511,847 S *	11/2005	Ciepliski D25/141
4,817,506 A	4/1989	Cashman	D511,848 S *	11/2005	Ciepliski D25/141
4,857,485 A	8/1989	Brennan et al.	6,981,916 B2	1/2006	Coulton
4,892,846 A	1/1990	Rogers et al.	6,998,361 B2	2/2006	Lewis
4,903,445 A	2/1990	Mankowski	D527,813 S	9/2006	Dodge et al.
4,924,761 A	5/1990	MacLeod et al.	7,219,473 B2 *	5/2007	Mantyla et al. 52/198
4,935,291 A	6/1990	Gunnink	7,259,118 B2	8/2007	Jubb et al.
4,957,037 A	9/1990	Tubbesing et al.	D555,237 S	11/2007	O'Hagin
4,976,587 A	12/1990	Johnston et al.	7,384,331 B2	6/2008	Coulton
5,009,149 A	4/1991	MacLeod et al.	7,449,419 B2	11/2008	Li
5,022,203 A	6/1991	Boyd	D602,579 S *	10/2009	Stone D23/373
5,052,286 A	10/1991	Tubbesing et al.	7,662,037 B2	2/2010	Polston
5,092,225 A	3/1992	Sells	D615,218 S	5/2010	Grubka et al.
5,095,810 A	3/1992	Robinson	7,765,754 B2	8/2010	Johnson et al.
5,122,095 A	6/1992	Wolfert	7,766,735 B2 *	8/2010	Ciepliski et al. 454/365
5,134,827 A	8/1992	Hartman	D628,718 S	12/2010	Grubka et al.
5,149,301 A	9/1992	Gates	D654,161 S *	2/2012	Holland et al. D23/373
5,302,444 A	4/1994	Jackson et al.	8,292,707 B2 *	10/2012	Grisham et al. 454/260
5,332,699 A	7/1994	Olds et al.	8,322,089 B2 *	12/2012	Railkar et al. 52/198
5,457,920 A	10/1995	Waltz	D694,394 S *	11/2013	Polston D23/393
5,458,538 A	10/1995	MacLeod et al.	2002/0000101 A1	1/2002	Chenoweth
5,474,425 A	12/1995	Lawlor	2002/0045528 A1	4/2002	Kusuno et al.
5,542,224 A	8/1996	Olsen	2003/0077178 A1	4/2003	Stearns
5,569,629 A	10/1996	TenEyck et al.	2003/0166446 A1	9/2003	Lewis
5,576,252 A	11/1996	Rapp et al.	2003/0188554 A1	10/2003	Baker et al.
5,585,312 A	12/1996	TenEyck et al.	2003/0207748 A1	11/2003	Wallenberger
5,636,481 A	6/1997	DeZen	2003/0224922 A1	12/2003	Wallenberger
5,772,502 A	6/1998	Smith	2004/0092379 A1	5/2004	Lewis
5,789,329 A	8/1998	Eastes et al.	2004/0237428 A1	12/2004	Headrick et al.
5,797,222 A	8/1998	Martin	2005/0014624 A1	1/2005	Jubb et al.
5,826,390 A	10/1998	Sacks	2005/0031703 A1	2/2005	Beier et al.
5,851,932 A	12/1998	Dickson et al.	2005/0084440 A1	4/2005	Chacon et al.
5,935,886 A	8/1999	Jensen et al.	2005/0085369 A1	4/2005	Jensen
5,948,535 A	9/1999	Chiurlo et al.	2005/0090377 A1	4/2005	Shelestak et al.
5,962,354 A	10/1999	Fyles et al.	2005/0130581 A1	6/2005	Dodge
5,971,848 A	10/1999	Nair et al.	2005/0130825 A1	6/2005	Kravchenko et al.
5,997,977 A	12/1999	Zou et al.	2005/0232828 A1	10/2005	Merry
6,063,470 A	5/2000	Zou et al.	2005/0234216 A1	10/2005	Klein et al.
6,101,847 A	8/2000	Shamp et al.	2006/0003884 A1	1/2006	Nishizawa et al.
6,128,869 A	10/2000	Brotherton et al.	2006/0040608 A1	2/2006	Coulton
6,136,735 A	10/2000	Gallo et al.	2006/0079173 A1	4/2006	Coulton et al.
6,149,517 A	11/2000	Hansen	2006/0154597 A1	7/2006	Coulton et al.
6,165,066 A	12/2000	Sharp et al.	2006/0211366 A1	9/2006	Villela et al.
6,174,119 B1	1/2001	Orr	2006/0229010 A1	10/2006	Villela et al.
6,212,833 B1	4/2001	Henderson	2006/0257240 A1	11/2006	Naskali et al.
6,214,429 B1	4/2001	Zou et al.	2007/0000192 A1	1/2007	Mantyla et al.
6,227,963 B1	5/2001	Headrick	2007/0049190 A1	3/2007	Sing
6,233,887 B1	5/2001	Smith	2007/0054612 A1	3/2007	Ehrman et al.
6,237,369 B1	5/2001	LeBlanc et al.	2007/0072539 A1	3/2007	Sells
6,248,678 B1	6/2001	Pinckney	2007/0072540 A1	3/2007	Ciepliski et al.
6,260,315 B1	7/2001	Smith	2007/0094953 A1	5/2007	Galeazzo et al.
6,277,024 B1	8/2001	Coulton	2007/0105701 A1	5/2007	Hoffmann et al.
6,298,613 B1	10/2001	Coulton et al.	2007/0107220 A1	5/2007	Bakhuis et al.
6,299,528 B1	10/2001	Hansen	2007/0117505 A1	5/2007	Wey et al.
6,306,786 B1	10/2001	Koyama et al.	2007/0213003 A1	9/2007	Railkar et al.
6,314,760 B1	11/2001	Chenoweth	2008/0009403 A1	1/2008	Hofmann et al.
6,329,310 B1	12/2001	Peuchert et al.	2008/0064320 A1	3/2008	Polston
6,361,434 B1	3/2002	Brandon	2010/0112932 A1	5/2010	Grubka
6,371,847 B2	4/2002	Headrick	2010/0144266 A1 *	6/2010	Lowe et al. 454/365
			2011/0195655 A1 *	8/2011	Holland et al. 454/365
			2013/0023197 A1 *	1/2013	Grisham et al. 454/260

(56)

References Cited

U.S. PATENT DOCUMENTS

FOREIGN PATENT DOCUMENTS

JP	58-064243	4/1983
WO	2007/055964	5/2007
WO	2007/055968	5/2007

OTHER PUBLICATIONS

Part 2—Request for Inter Partes Reexamination of US Patent No. 6,793,574, Control No. 95/001,952 dated Mar. 29, 2012 (pp. 101-149 and exhibits).

Office Action granting Inter Partes Reexamination of US Patent No. 6,793,574, Control No. 95/001,952 dated May 9, 2012.

Office Action regarding Inter Partes Reexamination of US Patent No. 6,793,574, Control No. 95/001,952 dated May 9, 2012.

Patent Owner's Response Pursuant to 37 CFR Section 1.945 regarding Inter Partes Reexamination of US Patent No. 6,793,574, Control No. 95/001,952 dated Jul. 5, 2012.

Requester Comments After Patent Owner's Response regarding Inter Partes Reexamination of US Patent No. 6,793,574, Control No. 95/001,952 dated Aug. 6, 2012.

Submission of signed Declaration of Denise Laytart in support of Requester Comments After Patent Owner's Response regarding Inter Partes Reexamination of US Patent No. 6,793,574, Control No. 95/001,952 dated Aug. 13, 2012.

Patent Owner's Amendment and Response regarding Inter Partes Reexamination of US Patent No. 6,793,574, Control No. 95/001,952 dated Sep. 26, 2012.

Office Action closing prosecution regarding Inter Partes Reexamination of US Patent No. 6,793,574, Control No. 95/001,952 dated Aug. 28, 2012.

Patent Owner's Petition Under 37 CFR Section 1.182—Request for Continued Reexamination regarding Inter Partes Reexamination of US Patent No. 6,793,574, Control No. 95/001,952 dated Sep. 27, 2012.

Patent Owner's Amendment and Response regarding Inter Partes Reexamination of US Patent No. 6,793,574, Control No. 95/001,952 dated Oct. 23, 2012.

Requester Comments after Patent Owner's Response regarding Inter Partes Reexamination of US Patent No. 6,793,574, Control No. 95/001,952 dated Oct. 26, 2012.

Office Action denying Request for Inter Partes Reexamination of US Patent No. 6,482,084, Control No. 95/001,953 dated May 11, 2012.

Requester's Petition Under 37 CFR Sections 1.927 and 1.181 for Supervisory Review of Refusal to Order Reexamination of Claims 1-8 of US Patent No. 6,482,084 regarding Request for Inter Partes Reexamination of US Patent No. 6,482,084, Control No. 95/001,953 dated Jun. 8, 2012.

Decision on Petition Under 37 CFR 1.181 and 1.927 regarding Request for Inter Partes Reexamination of US Patent No. 6,482,084, Control No. 95/001,953 dated Jul. 25, 2012.

Office Action denying Request for Inter Partes Reexamination of US Patent No. 6,299,528, Control No. 95/001,954 dated May 11, 2012.

Requester's Petition Under 37 CFR Sections 1.927 and 1.181 for Supervisory Review of Refusal to Order Reexamination of Claims 1-3 of US Patent No. 6,299,5284 regarding Request for Inter Partes Reexamination of US Patent No. 6,299,528, Control No. 95/001,954 dated Jun. 8, 2012.

Decision on Petition Under 37 CFR 1.181 and 1.927 regarding Request for Inter Partes Reexamination of US Patent No. 6,299,528, Control No. 95/001,954 dated Jul. 25, 2012.

Office Action granting Request for Inter Partes Reexamination of US Patent No. 6,299,528, Control No. 95/002,080 dated Sep. 13, 2012.

Office Action regarding Request for Inter Partes Reexamination of US Patent No. 6,299,528, Control No. 95/002,080 dated Sep. 13, 2012.

Patent Owner Air Vent, Inc.'s Response to Office Action of Sep. 13, 2012 regarding Request for Inter Partes Reexamination of US Patent No. 6,299,528, Control No. 95/002,080 dated Nov. 12, 2012.

Requestor Comments after Patent Owner's Response regarding Request for Inter Partes Reexamination of US Patent No. 6,299,528, Control No. 95/002,080 dated Dec. 12, 2012.

Office Action granting Request for Inter Partes Reexamination of US Patent No. 6,482,084, Control No. 95/002,081 dated Sep. 13, 2012.

Office Action regarding Request for Inter Partes Reexamination of US Patent No. 6,482,084, Control No. 95/002,081 dated Sep. 13, 2012.

Patent Owner Air Vent, Inc.'s Response to Office Action of Sep. 13, 2012 regarding Request for Inter Partes Reexamination of US Patent No. 6,482,084, Control No. 95/002,081 dated Nov. 12, 2012.

Requestor Comments after Patent Owner's Response regarding Request for Inter Partes Reexamination of US Patent No. 6,482,084, Control No. 95/002,081 dated Dec. 12, 2012.

Part 1—Request for Inter Partes Reexamination of US Patent No. 6,482,084, Control No. 95/001,953 dated Mar. 30, 2012 (pp. 1-135).

Part 2—Request for Inter Partes Reexamination of US Patent No. 6,482,084, Control No. 95/001,953 dated Mar. 30, 2012 (pp. 136-221 and exhibits).

Part 1—Request for Inter Partes Reexamination of US Patent No. 6,299,528, Control No. 95/001,954 dated Mar. 30, 2012 (pp. 1-100).

Part 2—Request for Inter Partes Reexamination of US Patent No. 6,299,528, Control No. 95/001,954 dated Mar. 30, 2012 (pp. 101-142 and exhibits).

Request for Inter Partes Reexamination of US Patent No. 6,299,528, Control No. 95/002,080 dated Aug. 16, 2012.

Request for Inter Partes Reexamination of US Patent No. 6,482,084, Control No. 95/002,081 dated Aug. 16, 2012.

Defendant Owens Corning Corporation's Non-Infringement and Invalidity Contentions Pursuant to LPR 3.4 dated Feb. 20, 2012 in Civil Action No. 10-1699, *Air Vent, Inc. v. Owens Corning Corporation*, United States District Court for the Western District of Pennsylvania.

Complaint for Patent Infringement [Doc. 1] dated Dec. 17, 2010 in Civil Action No. 10-1699, *Air Vent, Inc. v. Owens Corning Corporation*, United States District Court for the Western District of Pennsylvania.

Plaintiff's Motion for Preliminary Injunction [Doc. 10] dated Feb. 14, 2011 in Civil Action No. 10-1699, *Air Vent, Inc. v. Owens Corning Corporation*, United States District Court for the Western District of Pennsylvania.

Plaintiff's Memorandum in Support of Motion for a Preliminary Injunction [Doc. 11] dated Feb. 14, 2011 in Civil Action No. 10-1699, *Air Vent, Inc. v. Owens Corning Corporation*, United States District Court for the Western District of Pennsylvania.

Declaration of Robert Bradley Holland and Exhibits 7-10 in Support of Plaintiff's Memorandum in Support of Motion for a Preliminary Injunction [Doc. 15] dated Feb. 15, 2011 in Civil Action No. 10-1699, *Air Vent, Inc. v. Owens Corning Corporation*, United States District Court for the Western District of Pennsylvania.

Defendant's Memorandum in Opposition to Air Vent, Inc.'s Motion for Preliminary Injunction [Doc. 25] dated Mar. 7, 2011 in Civil Action No. 10-1699, *Air Vent, Inc. v. Owens Corning Corporation*, United States District Court for the Western District of Pennsylvania.

Air Vent's Reply to Owens Corning's Opposition to Motion for a Preliminary Injunction [Doc. 32] dated Mar. 14, 2011 in Civil Action No. 10-1699, *Air Vent, Inc. v. Owens Corning Corporation*, United States District Court for the Western District of Pennsylvania.

Amended Complaint for Patent Infringement [Doc. 41] dated Jul. 14, 2011 in Civil Action No. 10-1699, *Air Vent, Inc. v. Owens Corning Corporation*, United States District Court for the Western District of Pennsylvania.

Memorandum in Support of Plaintiff's Motion for a Preliminary Injunction [Doc. 44] dated Jul. 26, 2011 in Civil Action No. 10-1699, *Air Vent, Inc. v. Owens Corning Corporation*, United States District Court for the Western District of Pennsylvania.

Defendant's Motion to Dismiss Count Three of Plaintiff's Amended Complaint Pursuant to Federal Rule of Civil Procedure 12(b)(6) [Doc. 45] in Civil Action No. 10-1699, *Air Vent, Inc. v. Owens Corning Corporation*, United States District Court for the Western District of Pennsylvania.

Defendant's Memorandum in Support of its Motion to Dismiss Count Three of Plaintiff's Amended Complaint Pursuant to Federal

(56)

References Cited

OTHER PUBLICATIONS

Rule of Civil Procedure 12(b)(6) [Doc. 46] dated Aug. 1, 2011 in Civil Action No. 10-1699, *Air Vent, Inc. v. Owens Corning Corporation*, United States District Court for the Western District of Pennsylvania.

Defendant's Memorandum in Opposition to Air Vent, Inc.'s Renewed Motion for Preliminary Injunction [Doc. 49] dated Aug. 10, 2011 in Civil Action No. 10-1699, *Air Vent, Inc. v. Owens Corning Corporation*, United States District Court for the Western District of Pennsylvania.

Plaintiff's Memorandum in Opposition to Defendant's Motion to Dismiss [Doc. 52] dated Aug. 22, 2011 in Civil Action No. 10-1699, *Air Vent, Inc. v. Owens Corning Corporation*, United States District Court for the Western District of Pennsylvania.

Plaintiff's Reply to Defendant's Opposition to Motion for a Preliminary Injunction [Doc. 54] dated Aug. 26, 2011 in Civil Action No. 10-1699, *Air Vent, Inc. v. Owens Corning Corporation*, United States District Court for the Western District of Pennsylvania.

Defendant's Reply in Support its Motion to Dismiss Count Three of the Amended Complaint [Doc. 57] dated Sep. 8, 2011 in Civil Action No. 10-1699, *Air Vent, Inc. v. Owens Corning Corporation*, United States District Court for the Western District of Pennsylvania.

Plaintiff's Surreply in Opposition to Defendant's Motion to Dismiss [Doc. 60] dated Sep. 12, 2011 in Civil Action No. 10-1699, *Air Vent, Inc. v. Owens Corning Corporation*, United States District Court for the Western District of Pennsylvania.

Reply to Plaintiff's Surreply in Opposition to Defendant's Motion to Dismiss Count Three of the Amended Complaint [Doc. 63] dated Sep. 16, 2011 in Civil Action No. 10-1699, *Air Vent, Inc. v. Owens Corning Corporation*, United States District Court for the Western District of Pennsylvania.

Defendant's Motion for Summary Judgment of Non-Infringement of US Patent Nos. 6,299,528 and 6,482,084 [Doc. 64] dated Oct. 25, 2011 in Civil Action No. 10-1699, *Air Vent, Inc. v. Owens Corning Corporation*, United States District Court for the Western District of Pennsylvania.

Defendant's Memorandum in Support of its Motion for Summary Judgment of US Patent Nos. 6,299,528 and 6,482,084 [Doc. 65] dated Oct. 25, 2011 in Civil Action No. 10-1699, *Air Vent, Inc. v. Owens Corning Corporation*, United States District Court for the Western District of Pennsylvania.

Concise Statement of Undisputed Facts in Support of Defendant's Motion for Summary Judgment of Non-Infringement of US Patent Nos. 6,299,528 and 6,482,084 [Doc. 66] dated Oct. 25, 2011 in Civil Action No. 10-1699, *Air Vent, Inc. v. Owens Corning Corporation*, United States District Court for the Western District of Pennsylvania.

Appendix of Exhibits in Support of Defendant's Concise Statement of Undisputed Facts in Support of Defendant's Motion for Summary Judgment of Non-Infringement of US Patent Nos. 6,299,528 and 6,482,084 [Doc. 67] dated Oct. 25, 2011 in Civil Action No. 10-1699, *Air Vent, Inc. v. Owens Corning Corporation*, United States District Court for the Western District of Pennsylvania.

Defendant Owens Corning Corporation's Answer, Affirmative Defenses and Counterclaims to Plaintiff's Amended Complaint for Patent Infringement [Doc. 69] dated Nov. 14, 2011 in Civil Action No. 10-1699, *Air Vent, Inc. v. Owens Corning Corporation*, United States District Court for the Western District of Pennsylvania.

Plaintiff Air Vent, Inc.'s Answer to Defendant Owens Corning Corporation's Counterclaims [Doc. 71] dated Nov. 22, 2011 in Civil Action No. 10-1699, *Air Vent, Inc. v. Owens Corning Corporation*, United States District Court for the Western District of Pennsylvania.

Plaintiff's Memorandum in Opposition to Defendant's Motion for Summary Judgment of Non-Infringement of United States Patent Nos. 6,299,528 and 6,482,04 [Doc. 72] dated Nov. 22, 2011 in Civil

Action No. 10-1699, *Air Vent, Inc. v. Owens Corning Corporation*, United States District Court for the Western District of Pennsylvania. Declaration of David L. Roodvoets in Support of Plaintiff's Memorandum in Opposition to Defendant's Motion for Summary Judgment of Non-Infringement of United States Patent Nos. 6,299,528 and 6,482,04 [Doc. 73] dated Nov. 22, 2011 in Civil Action No. 10-1699, *Air Vent, Inc. v. Owens Corning Corporation*, United States District Court for the Western District of Pennsylvania.

Plaintiff's Response to Defendant's Concise Statement of Facts in Opposition to Defendant's Motion for Summary Judgment [Doc. 75] dated Nov. 22, 2011 in Civil Action No. 10-1699, *Air Vent, Inc. v. Owens Corning Corporation*, United States District Court for the Western District of Pennsylvania.

Defendant's Reply in Support of its Motion for Summary Judgment of Non-Infringement of US Patent Nos. 6,299,528 and 6,482,084 [Doc. 80] dated Dec. 6, 2011 in Civil Action No. 10-1699, *Air Vent, Inc. v. Owens Corning Corporation*, United States District Court for the Western District of Pennsylvania.

Plaintiff's Surreply in Opposition to Defendant's Motion for Summary Judgment of Non-Infringement [Doc. 83] dated Dec. 14, 2011 in Civil Action No. 10-1699, *Air Vent, Inc. v. Owens Corning Corporation*, United States District Court for the Western District of Pennsylvania.

Defendant's Reply to Plaintiff's Surreply [Doc. 87] dated Dec. 23, 2011 in Civil Action No. 10-1699, *Air Vent, Inc. v. Owens Corning Corporation*, United States District Court for the Western District of Pennsylvania.

Plaintiff's Reply to Defendant's Reply [Doc. 92] dated Dec. 28, 2011 in Civil Action No. 10-1699, *Air Vent, Inc. v. Owens Corning Corporation*, United States District Court for the Western District of Pennsylvania.

Plaintiff's Second Amended Complaint for Patent Infringement [Doc. 130] dated Aug. 29, 2012 in Civil Action No. 10-1699, *Air Vent, Inc. v. Owens Corning Corporation*, United States District Court for the Western District of Pennsylvania.

Defendant Owens Corning Corporation's Answer, Affirmative Defenses and Counterclaims to Plaintiff's Second Amended Complaint for Patent Infringement [Doc. 134] dated Sep. 19, 2012 in Civil Action No. 10-1699, *Air Vent, Inc. v. Owens Corning Corporation*, United States District Court for the Western District of Pennsylvania.

Declaration of David L. Roodvoets in Support of Plaintiff's Opposition to Defendant's Motion to Stay [Doc. 136] dated Sep. 24, 2012 in Civil Action No. 10-1699, *Air Vent, Inc. v. Owens Corning Corporation*, United States District Court for the Western District of Pennsylvania.

Installation Instructions for Owens Corning VentSure Rigid Strip Ridge Vent dated Mar. 2000 (4 pages).

Owens Corning Press Release—Great Exterior Makeover—dated Oct. 13, 1999.

Installation Instructions for Owens Corning VentSure Rigid Strip Ridge Vent dated Oct. 1999 (6 pages).

Office Action from U.S. Appl. No. 12/393,261 dated Aug. 16, 2013. Notice of Allowance from U.S. Appl. No. 29/332,162 dated Jul. 15, 2009.

Notice of Allowance from U.S. Appl. No. 29/327,214 dated Sep. 13, 2010.

Office action from U.S. Appl. No. 11/267,739 dated Sep. 24, 2008.

Office action from U.S. Appl. No. 11/267,739 dated Dec. 18, 2008.

Office action from U.S. Appl. No. 11/267,702 dated Sep. 24, 2008.

Office action from U.S. Appl. No. 11/267,702 dated Dec. 23, 2008.

Office action from U.S. Appl. No. 12/393,261 dated Aug. 16, 2012.

Office action from U.S. Appl. No. 12/393,261 dated Feb. 15, 2013.

Advisory action from U.S. Appl. No. 12/393,261 dated May 1, 2013.

Installation Instructions for Owens Corning VentSure Rigid Strip Ridge Vent dated Mar. 2000.

* cited by examiner

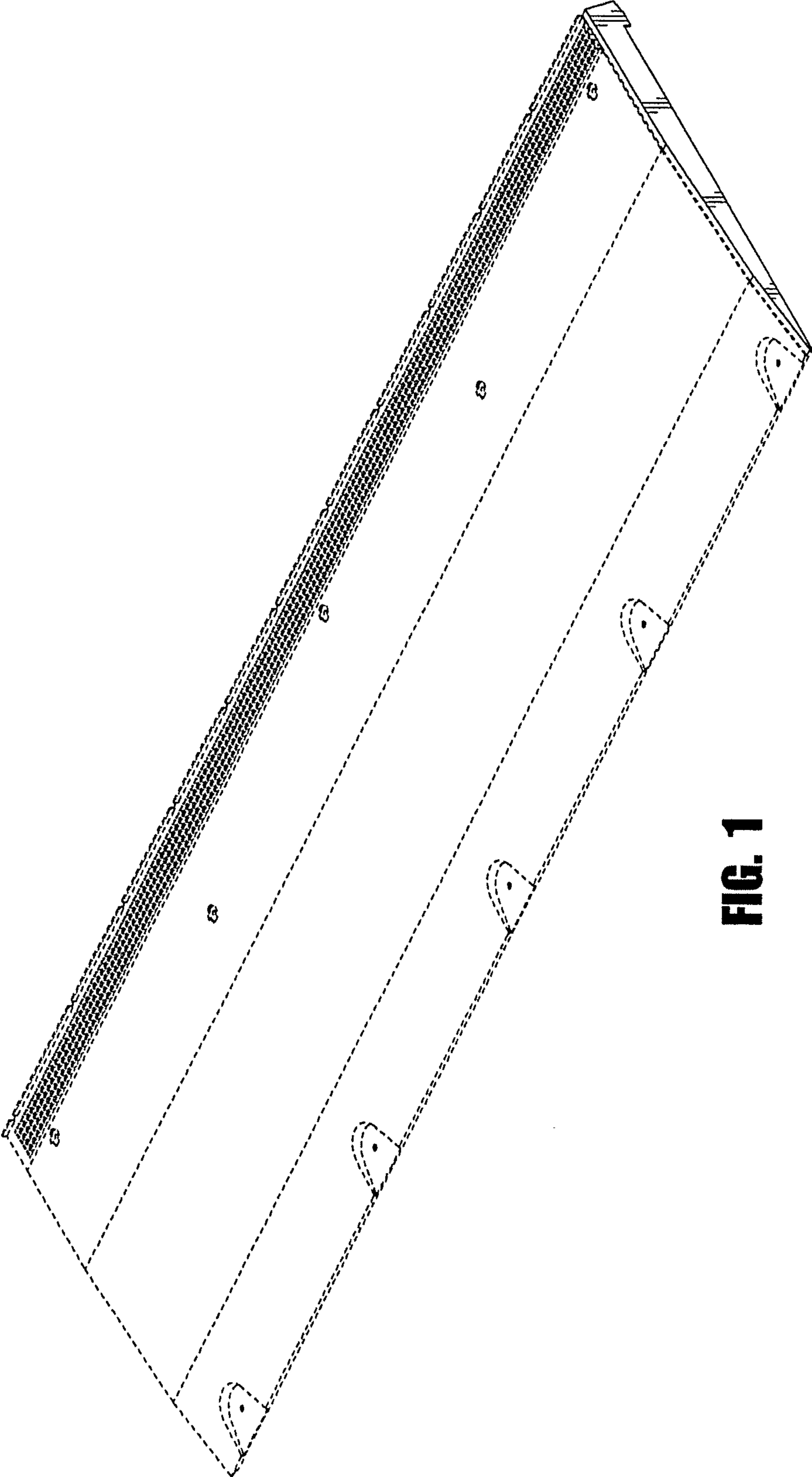


FIG. 1

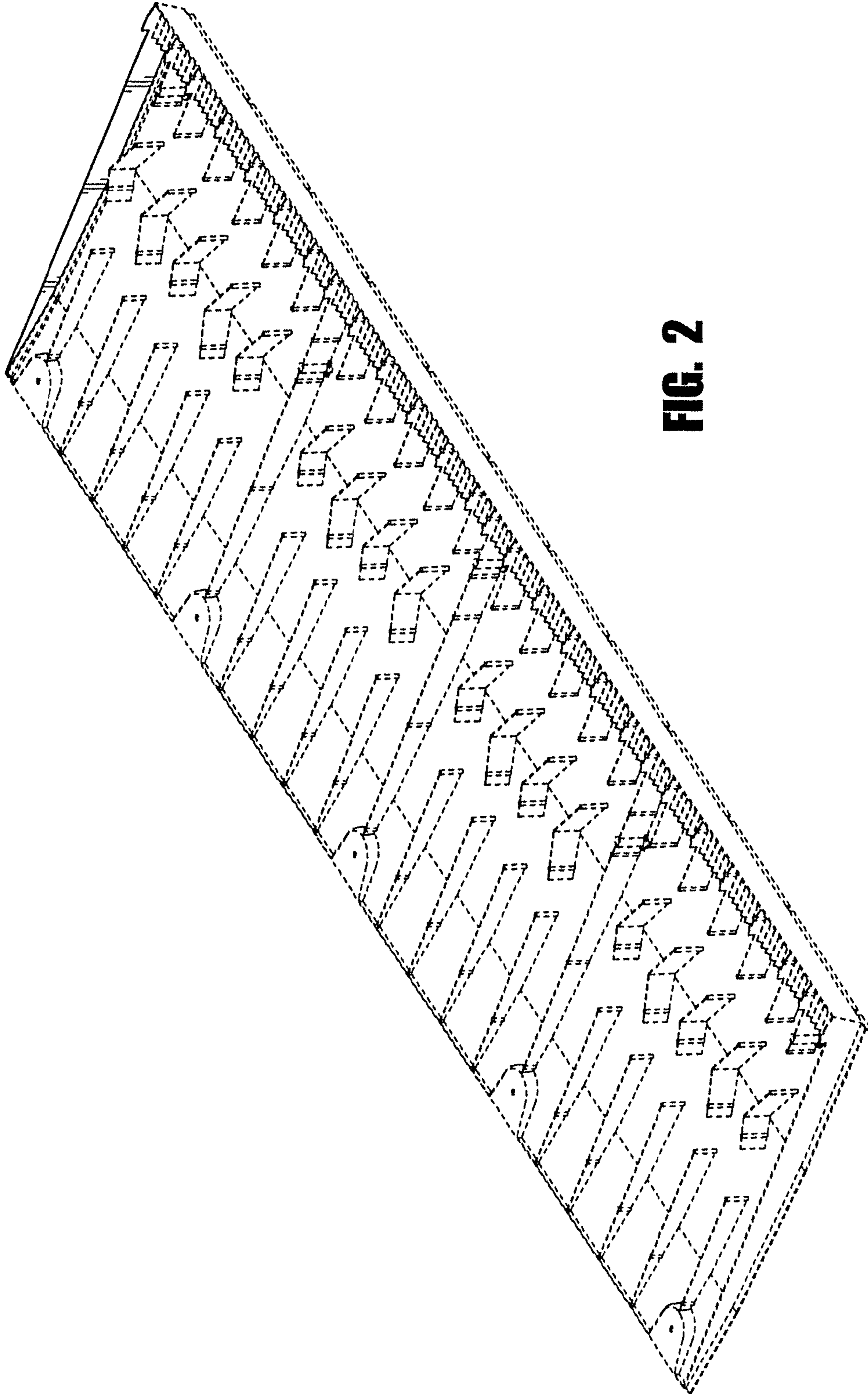


FIG. 2

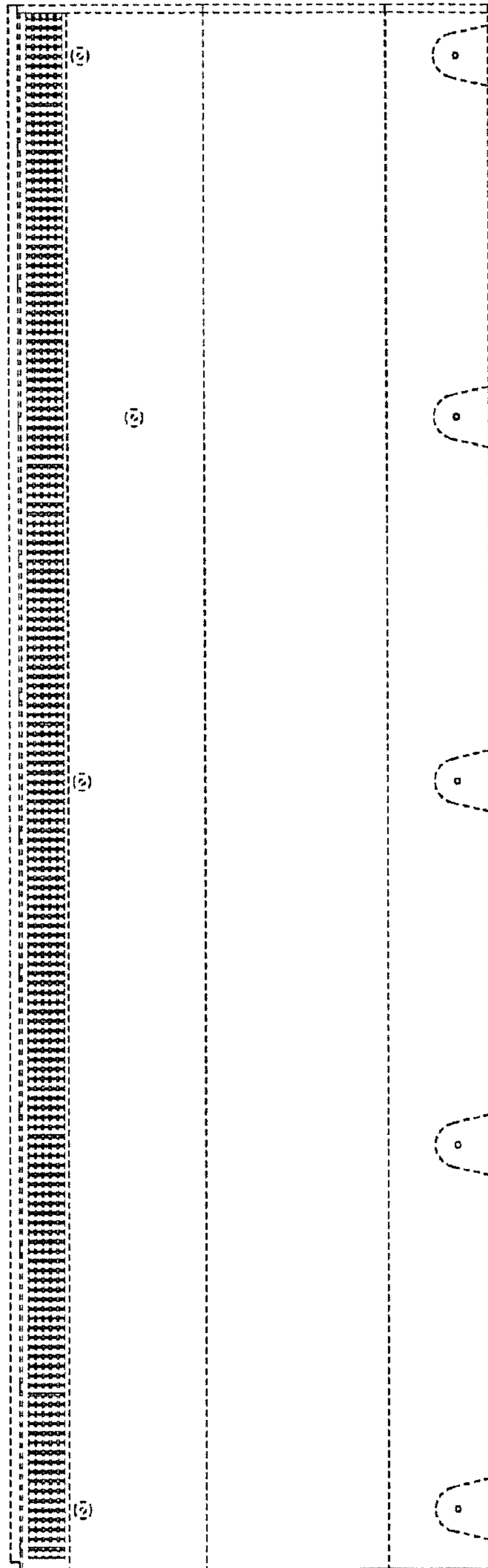


FIG. 3

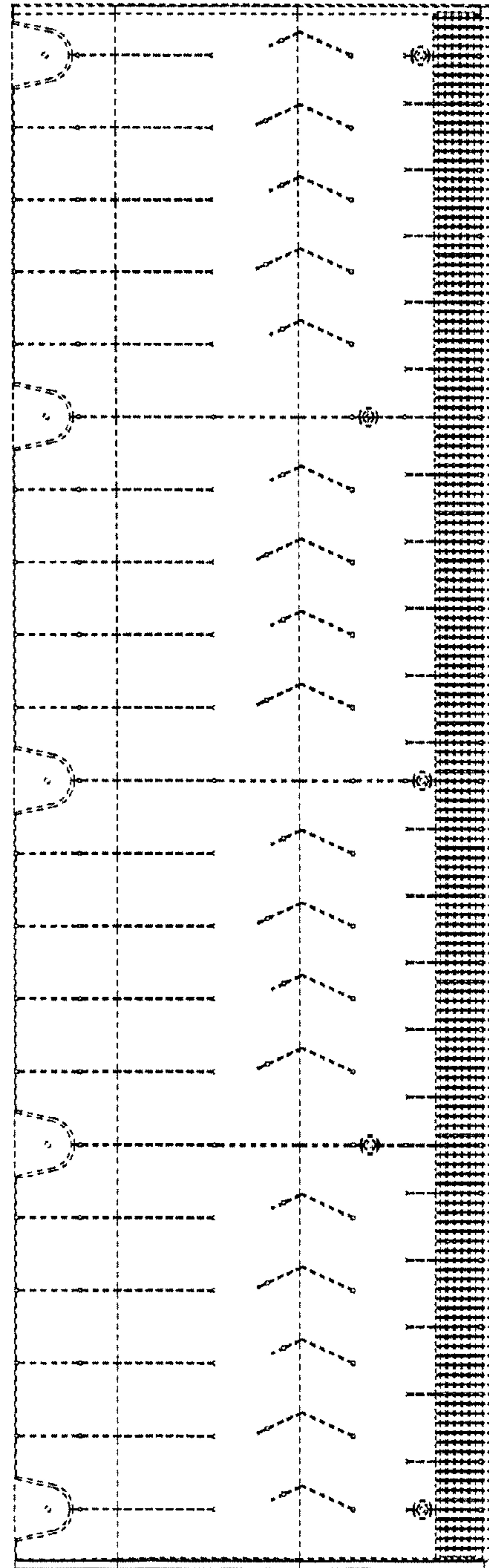


FIG. 4

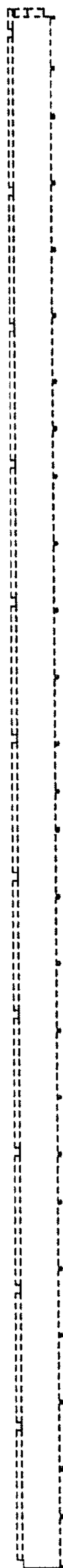


FIG. 5

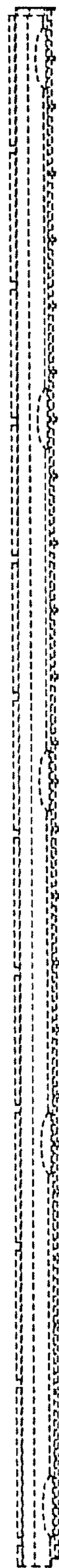


FIG. 6

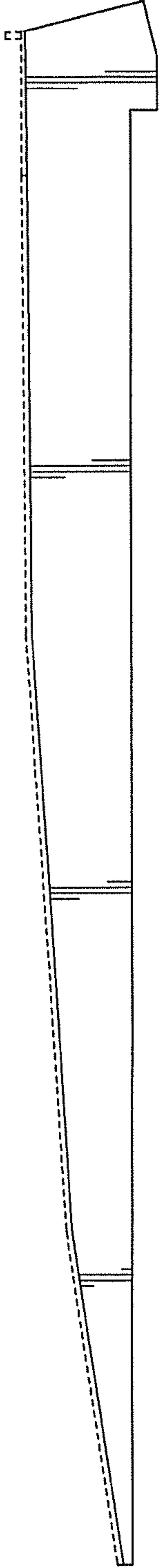


FIG. 7

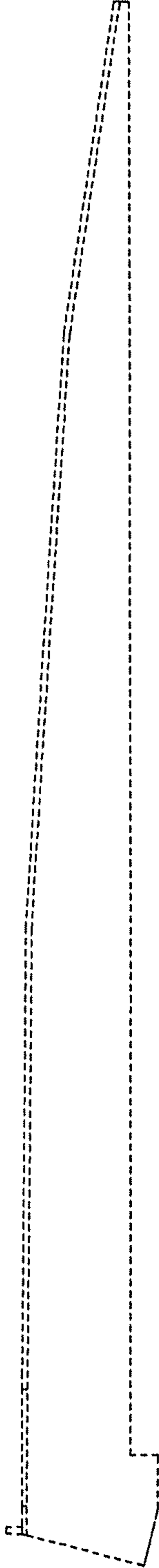


FIG. 8