



US00D710983S

(12) **United States Design Patent**  
**Miller et al.**

(10) **Patent No.:** **US D710,983 S**

(45) **Date of Patent:** **\*\* Aug. 12, 2014**

(54) **CARTRIDGE OF DEHUMIDIFICATION ASSEMBLY**

(71) Applicants: **Andrew Miller**, Wokingham (GB);  
**Christopher Edgerley Booth**,  
Wokingham (GB)

(72) Inventors: **Andrew Miller**, Wokingham (GB);  
**Christopher Edgerley Booth**,  
Wokingham (GB)

(73) Assignee: **Intersurgical AG**, Vaduz (LI)

(\*\*) Term: **14 Years**

(21) Appl. No.: **29/451,550**

(22) Filed: **Apr. 4, 2013**

(30) **Foreign Application Priority Data**

Oct. 4, 2012 (EM) ..... 002113696-0001

Oct. 4, 2012 (EM) ..... 002113696-0003

(51) **LOC (10) Cl.** ..... **23-04**

(52) **U.S. Cl.**  
USPC ..... **D23/359**

(58) **Field of Classification Search**

USPC ..... D23/355-366, 352, 369, 332, 333, 335,  
D23/336, 342, 351; 422/120, 122; 55/356,  
55/473, 504; 96/97; D14/188, 170, 172;  
261/DIG. 17, DIG. 65, DIG. 88, DIG. 31;  
D18/34.6

See application file for complete search history.

(56) **References Cited**

**U.S. PATENT DOCUMENTS**

D247,573 S \* 3/1978 Schimanski ..... D23/366  
D325,627 S \* 4/1992 Claypool ..... D23/335

D349,335 S \* 8/1994 Wang ..... D23/366  
D374,713 S \* 10/1996 Ford et al. .... D23/364  
D426,627 S \* 6/2000 Cho ..... D23/355  
D431,644 S \* 10/2000 Huang ..... D23/364  
D431,816 S \* 10/2000 Beaumont et al. .... D14/188  
D437,038 S \* 1/2001 Chuan ..... D23/364  
D492,278 S \* 6/2004 Tsuchiya ..... D14/188  
D492,759 S \* 7/2004 Yoshida ..... D23/364  
D495,409 S \* 8/2004 Ke ..... D23/355  
D530,413 S \* 10/2006 Normark ..... D23/355  
D630,310 S \* 1/2011 Beland et al. .... D23/356

**FOREIGN PATENT DOCUMENTS**

GB 2486301 A 6/2012

\* cited by examiner

*Primary Examiner* — David Muller

(74) *Attorney, Agent, or Firm* — LeClairRyan, a  
Professional Corporation

(57) **CLAIM**

The ornamental design for a cartridge of a dehumidification assembly, as shown and described.

**DESCRIPTION**

FIG. 1 is a front elevation view of a cartridge of a dehumidification assembly.

FIG. 2 is a front and right side perspective view thereof;

FIG. 3 is a front and left side perspective view thereof;

FIG. 4 is a right side elevation view thereof;

FIG. 5 is a left side elevation view thereof;

FIG. 6 is a top plan view thereof;

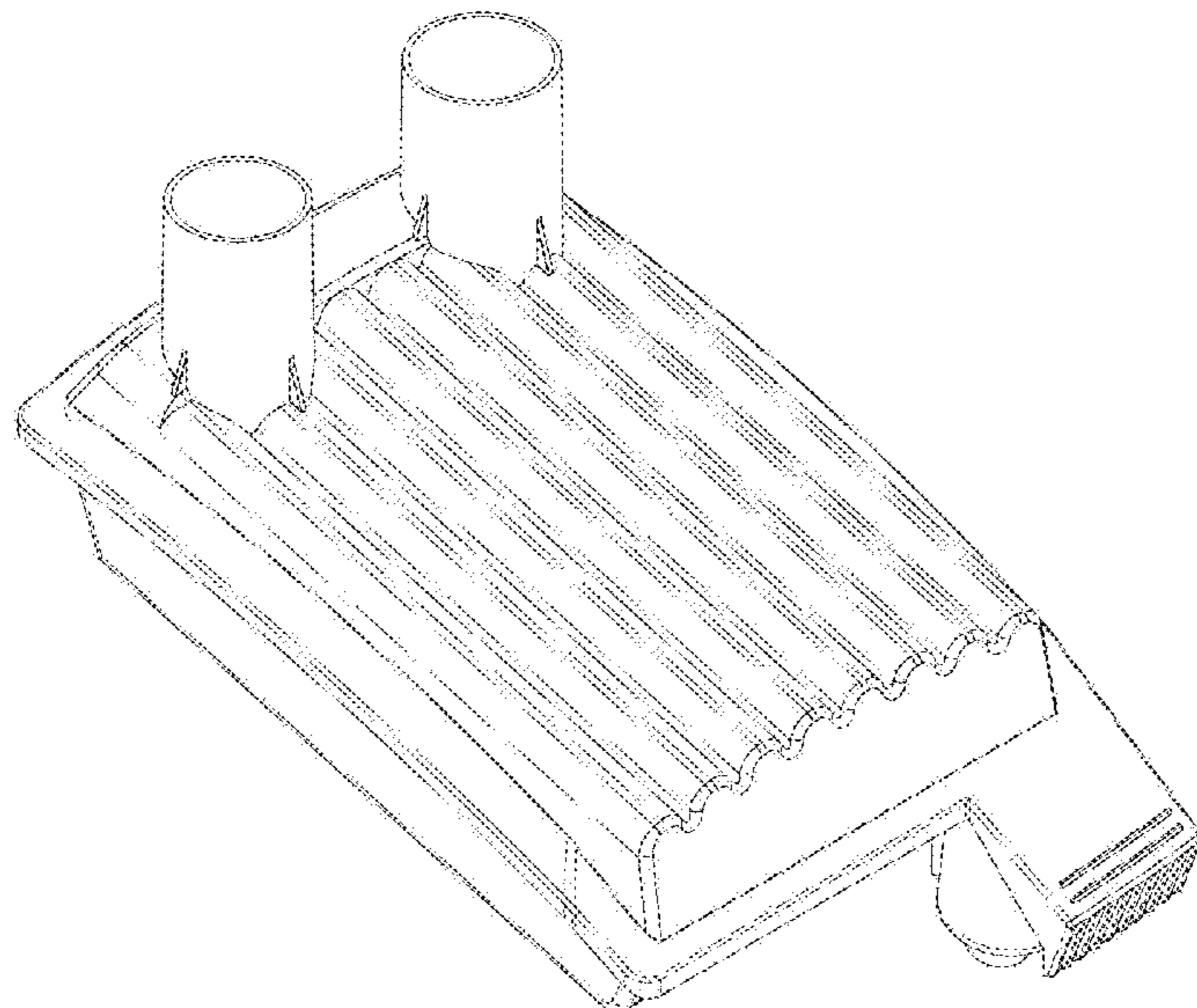
FIG. 7 is a rear elevation view thereof;

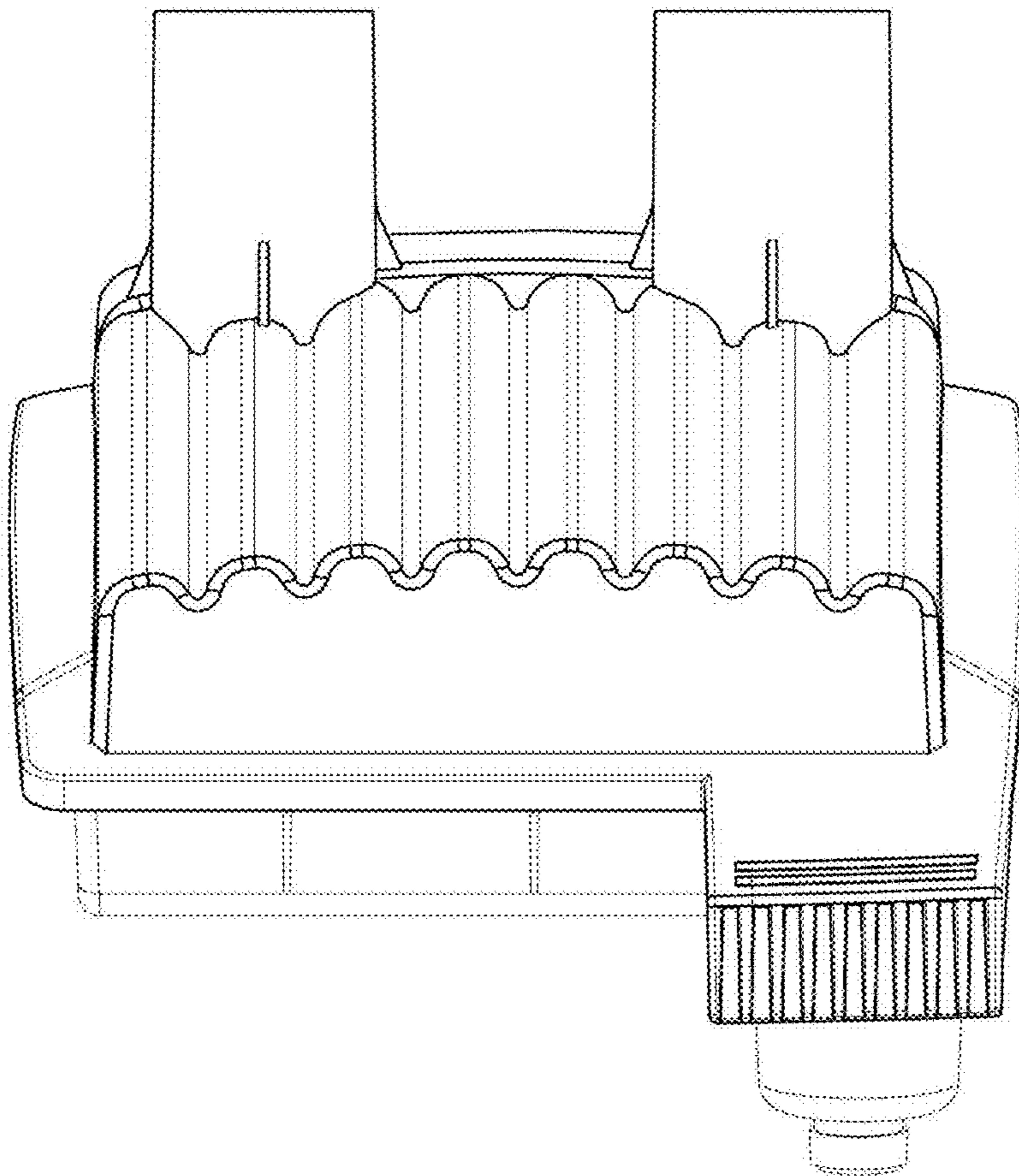
FIG. 8 is a rear and right side perspective view thereof;

FIG. 9 is a rear and left side perspective view thereof; and,

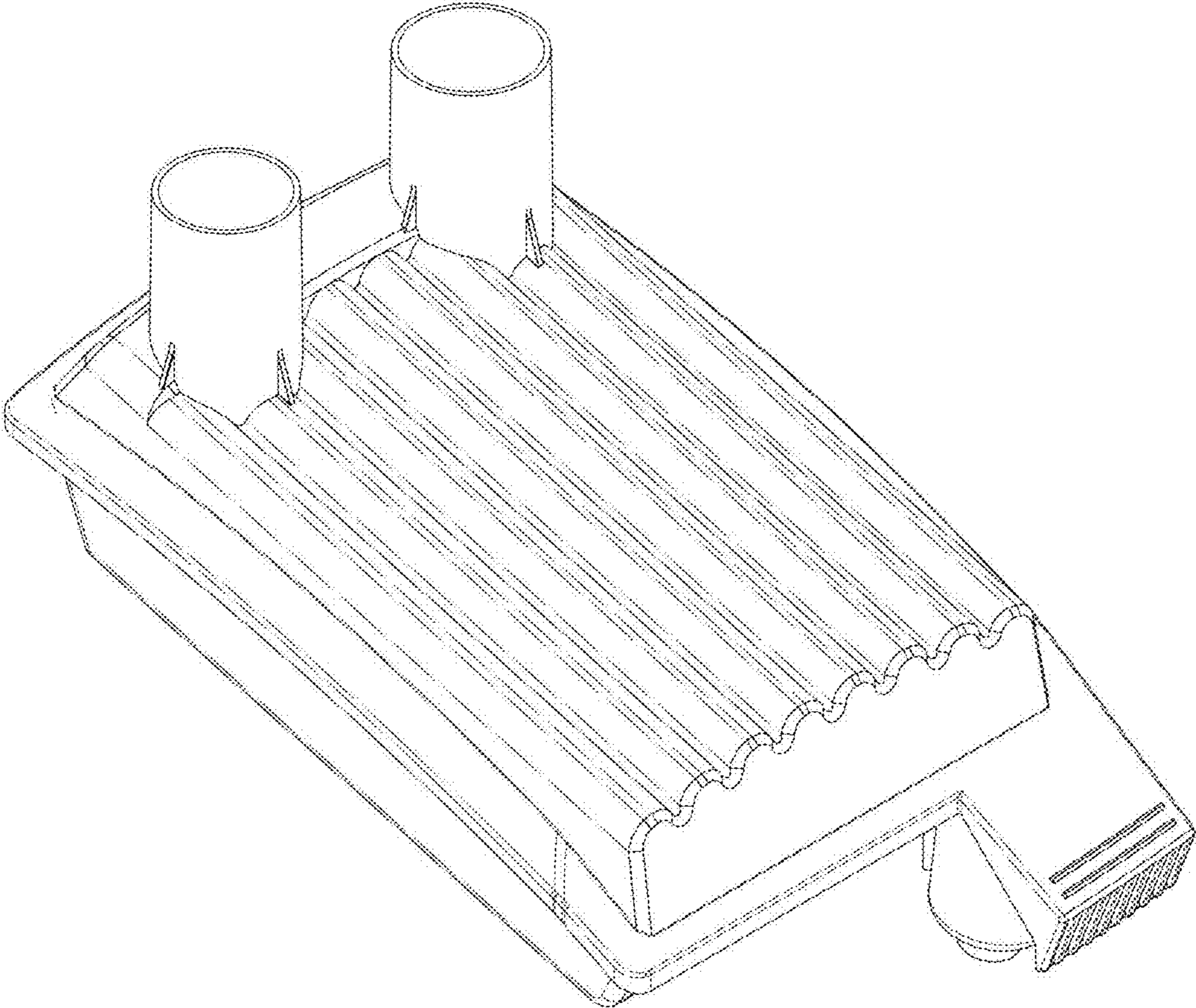
FIG. 10 is a bottom plan view thereof.

**1 Claim, 10 Drawing Sheets**

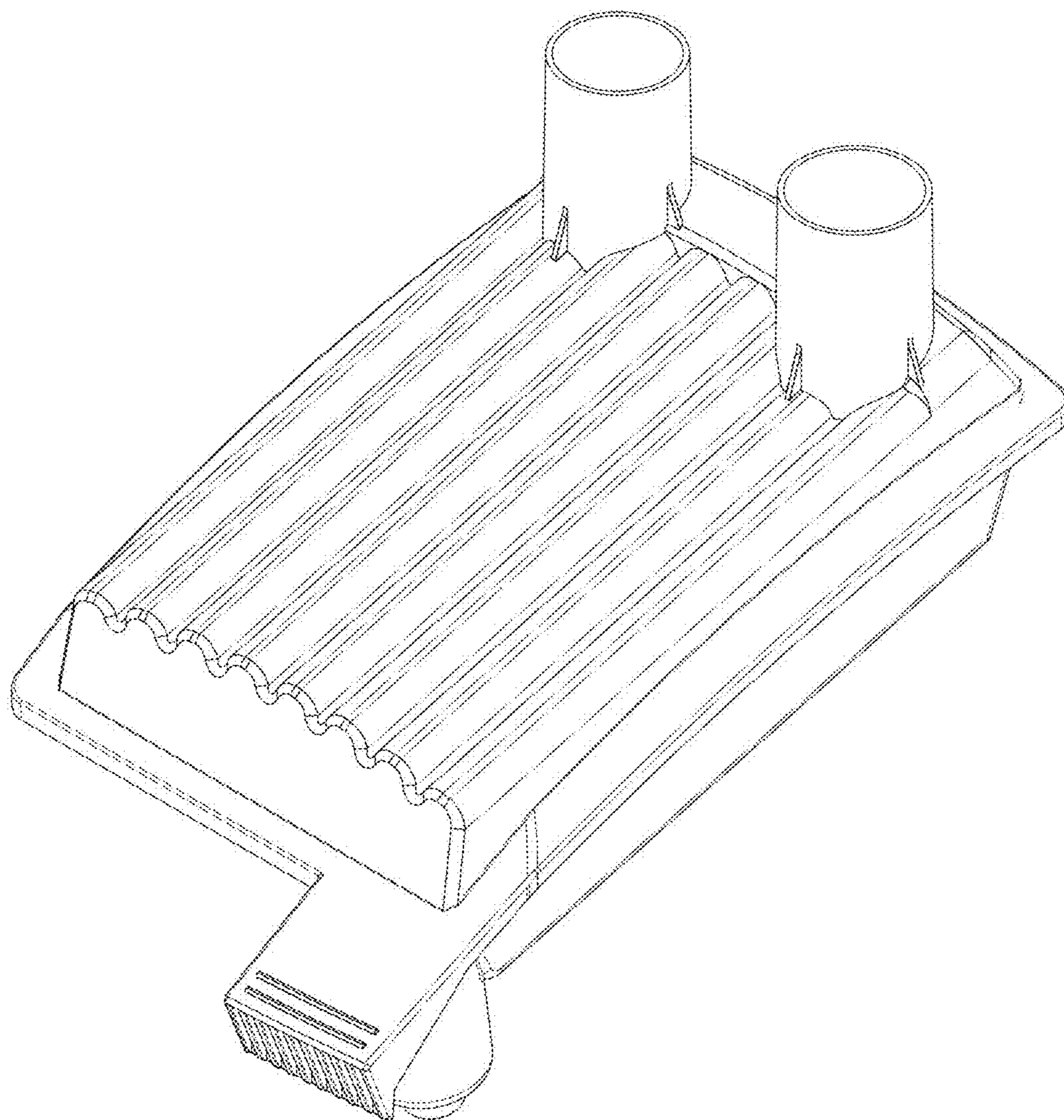




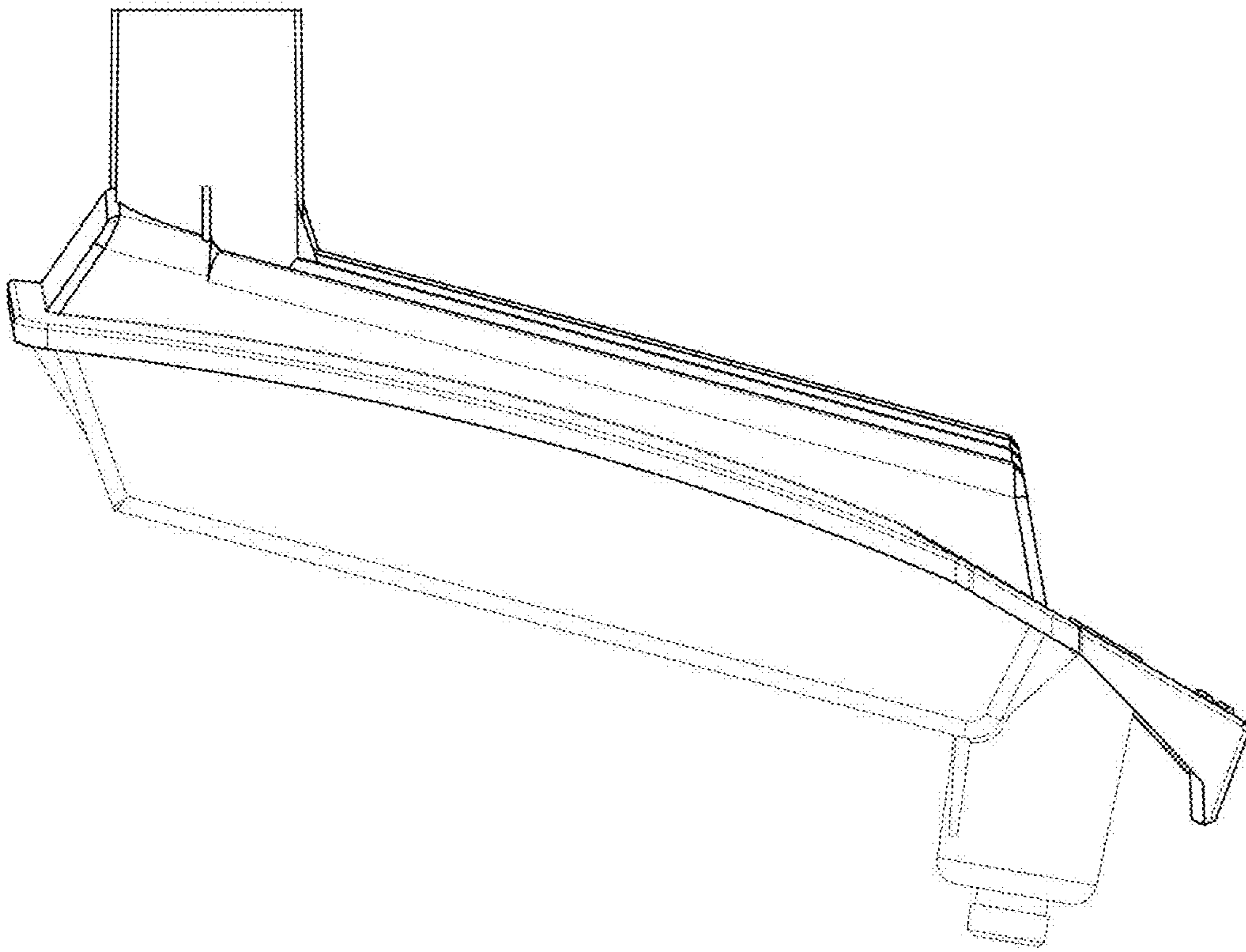
**FIG. 1**



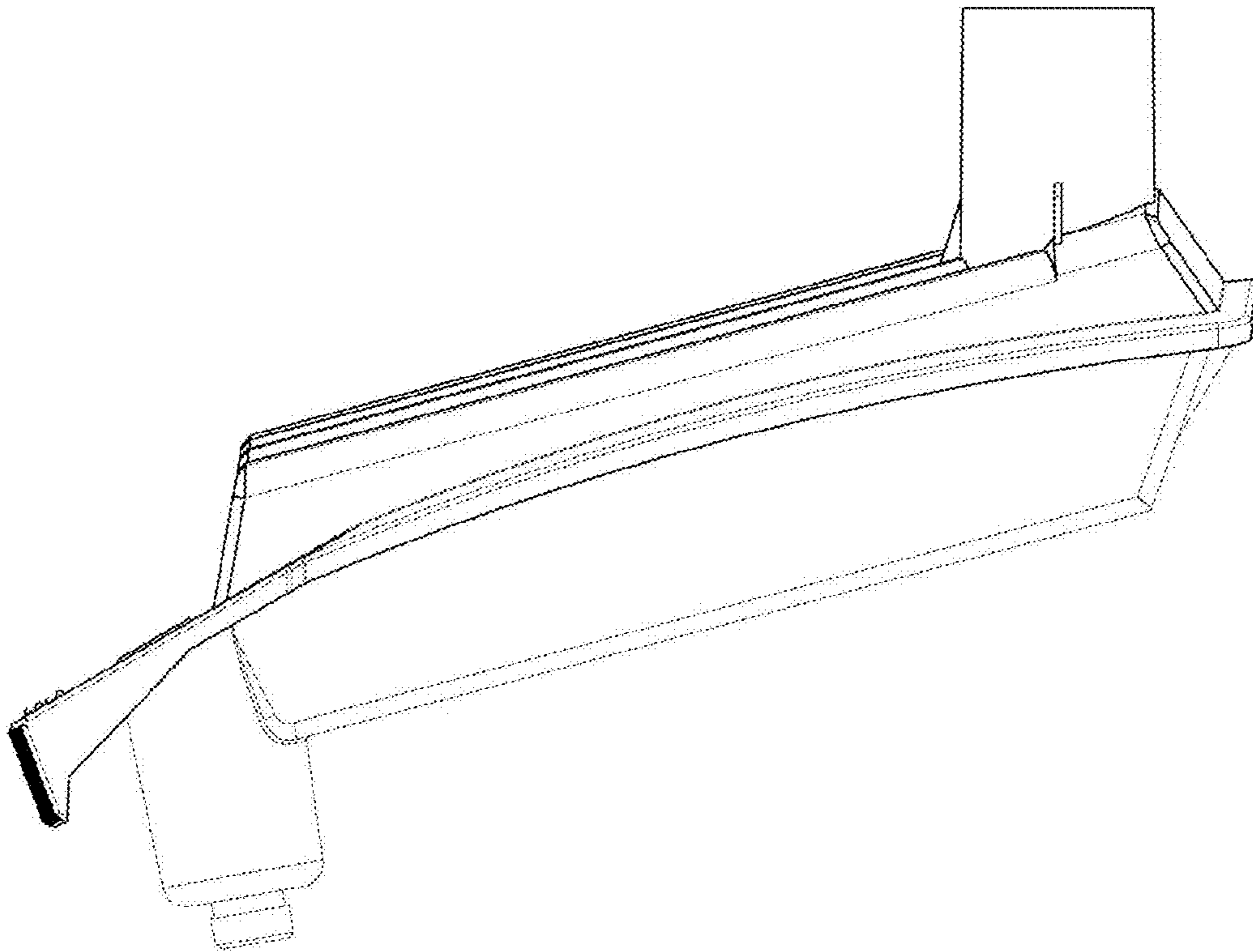
**FIG. 2**



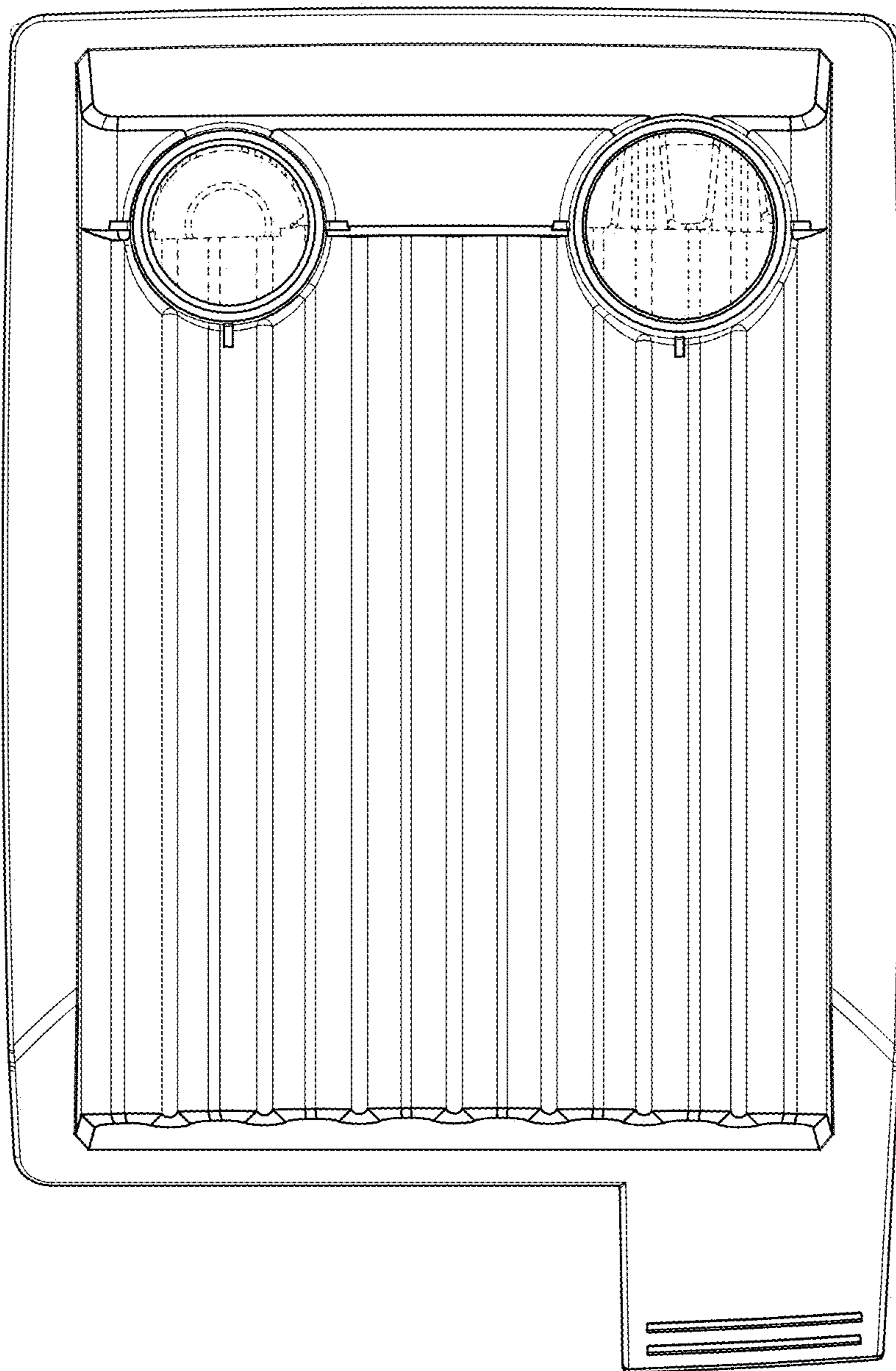
**FIG. 3**



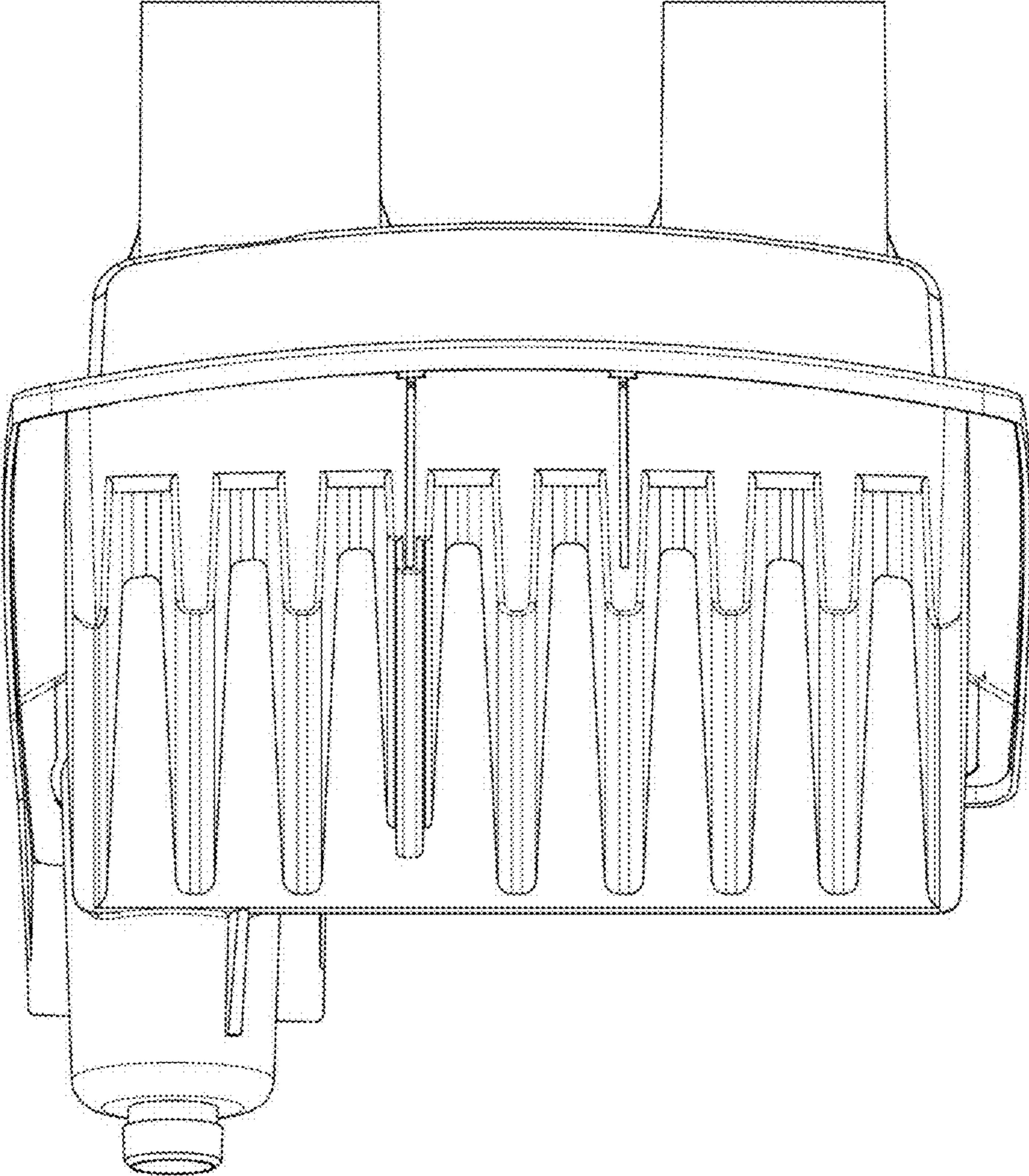
**FIG. 4**



**FIG. 5**

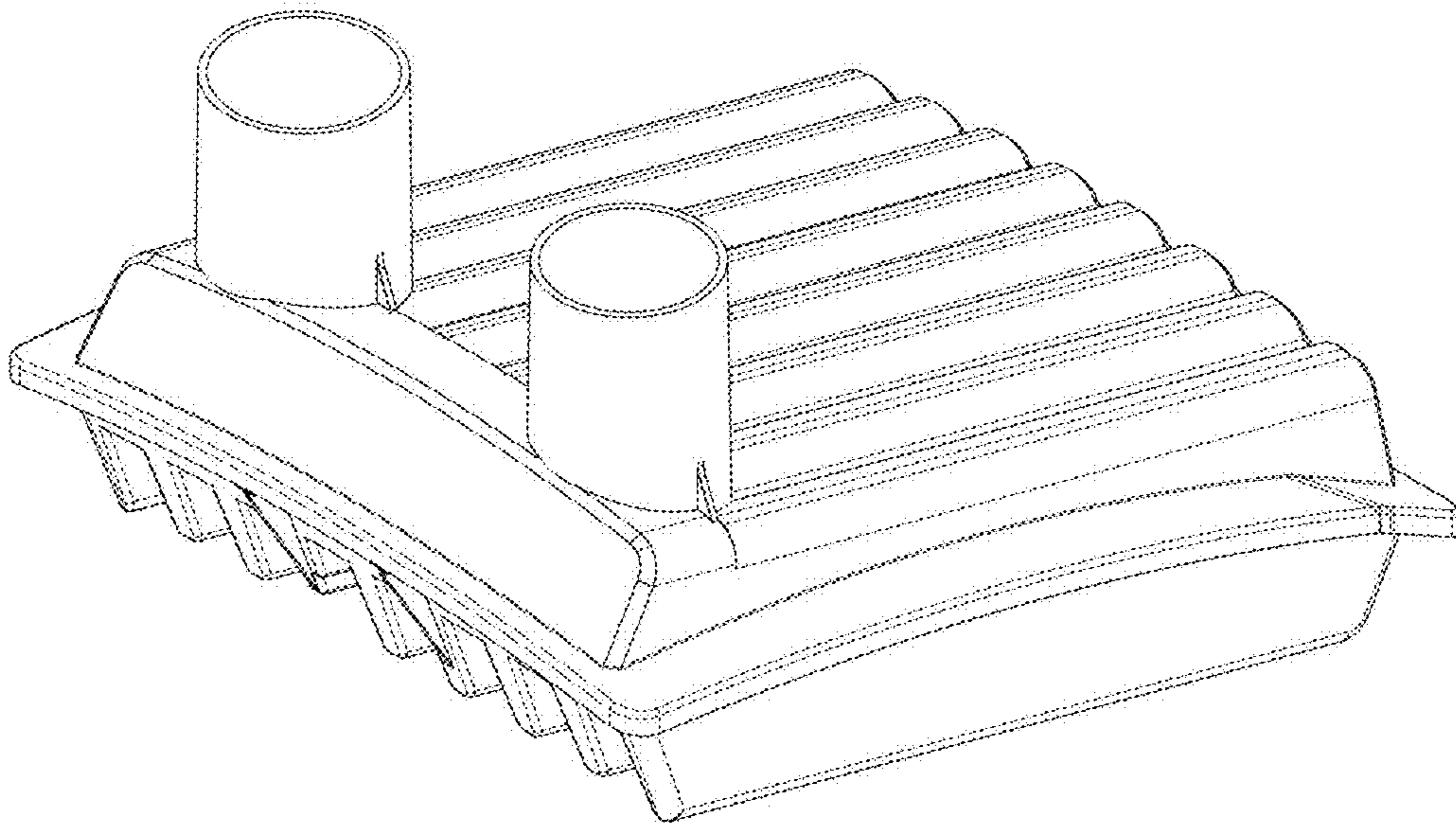


**FIG. 6**

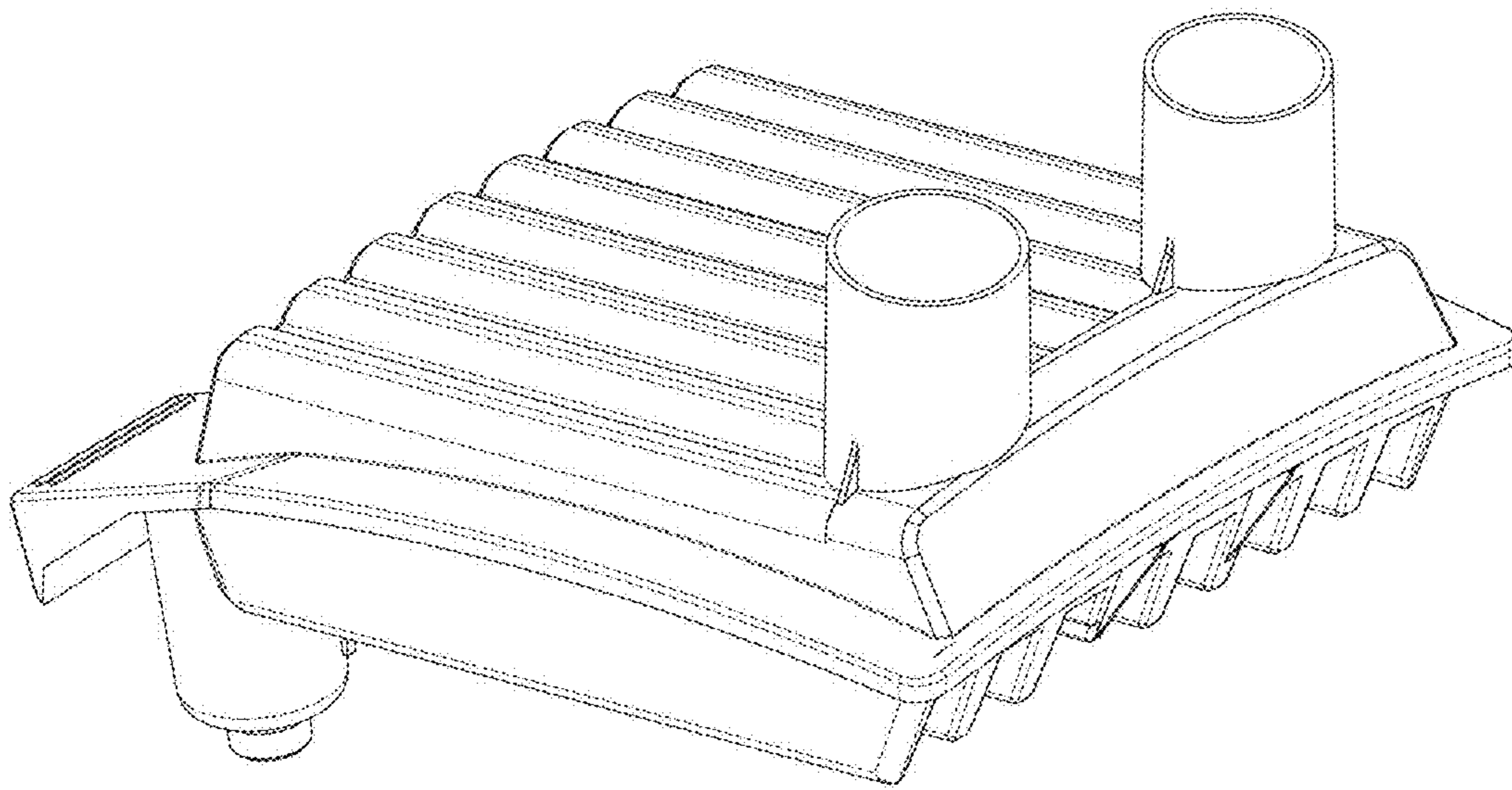


**FIG. 7**

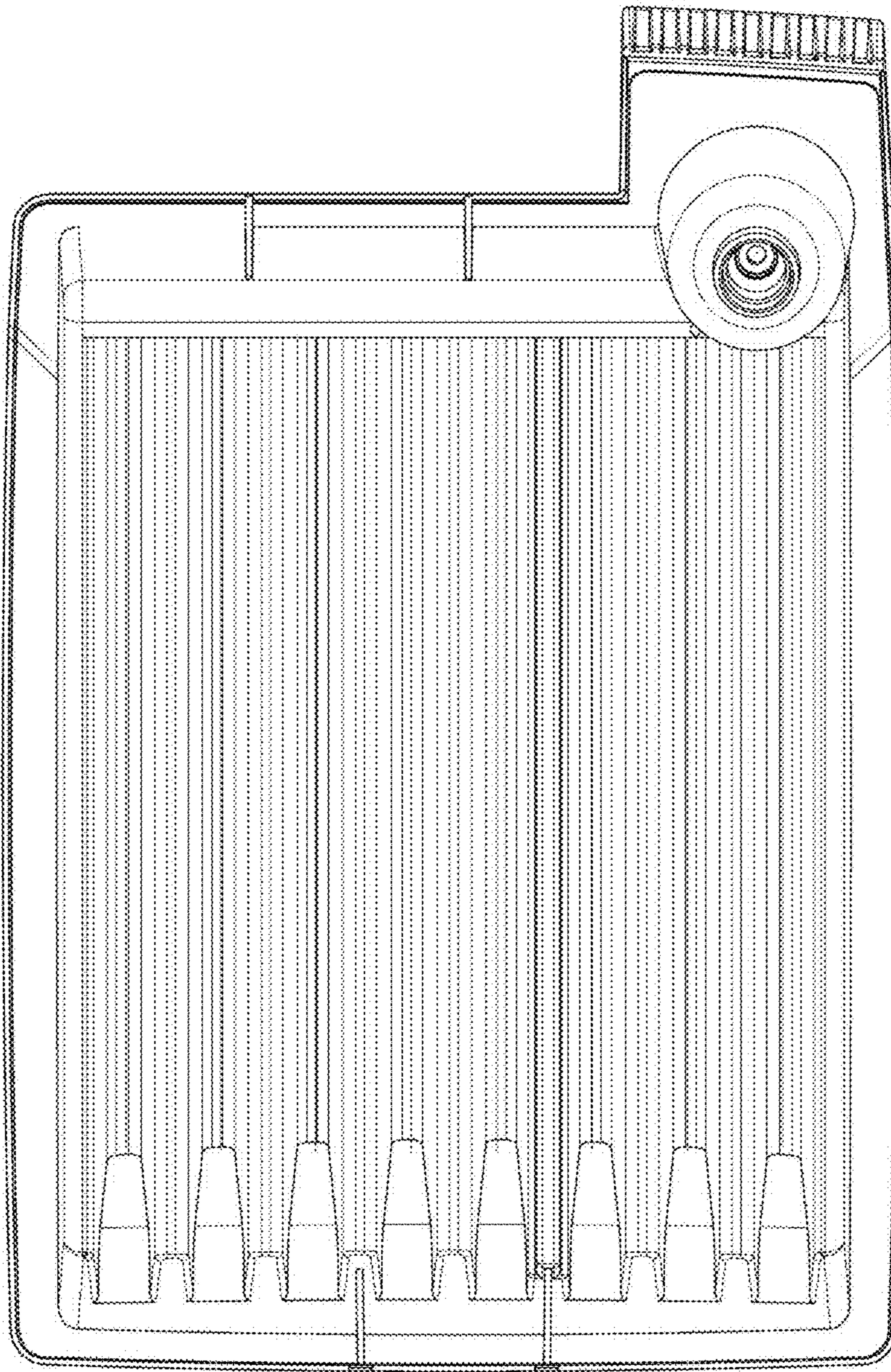




**FIG. 8**



**FIG. 9**



**FIG. 10**