



US00D710982S

(12) **United States Design Patent**  
**Baril et al.**

(10) **Patent No.:** **US D710,982 S**

(45) **Date of Patent:** **\*\* Aug. 12, 2014**

(54) **POOL WATER HEATER**

(56) **References Cited**

(71) Applicant: **4112954 Canada Inc.**,  
Notre-Dame-de-la-Salette (CA)

U.S. PATENT DOCUMENTS

(72) Inventors: **Patrick Baril**, Notre-Dame-de-la-Salette  
(CA); **France Martineau**,  
Notre-Dame-de-la-Salette (CA)

616,185	A *	12/1898	Duis .....	126/368.1
1,919,576	A	7/1933	Schroeder	
4,050,626	A	9/1977	Awalt, Jr.	
4,088,113	A	5/1978	McIntire et al.	
4,126,118	A	11/1978	Haynes	
4,461,242	A *	7/1984	Black .....	122/16.1
D301,609	S *	6/1989	Senf .....	D23/343
6,880,547	B2	4/2005	Bilodeau	
2004/0226554	A1 *	11/2004	Bilodeau .....	126/350.1
2007/0193576	A1	8/2007	Hughes	

(\*\*) Term: **14 Years**

\* cited by examiner

(21) Appl. No.: **29/434,946**

*Primary Examiner* — T. Chase Nelson

*Assistant Examiner* — Ania Aman

(22) Filed: **Oct. 18, 2012**

(74) *Attorney, Agent, or Firm* — Norton Rose Fulbright  
Canada LLP

(30) **Foreign Application Priority Data**

(57) **CLAIM**

Apr. 19, 2012 (CA) ..... 145354

We claim the ornamental design for a pool water heater, as  
shown and described.

**DESCRIPTION**

(51) **LOC (10) Cl.** ..... **23-03**

FIG. 1 is a perspective view of the pool water heater in  
accordance with the present design.

(52) **U.S. Cl.**  
USPC ..... **D23/314**

FIG. 2 is a front view of the design of FIG. 1.

(58) **Field of Classification Search**  
USPC ..... D23/314, 317, 332, 342, 333, 334, 335,  
D23/337, 351, 355, 378, 370, 387, 364, 336,  
D23/341, 383; 126/101, 350, 350.1, 362.1;  
122/16.1, 18.3, 363.3

FIG. 3 is a right side view of the design of FIG. 1.

FIG. 4 is a left side view of the design of FIG. 1.

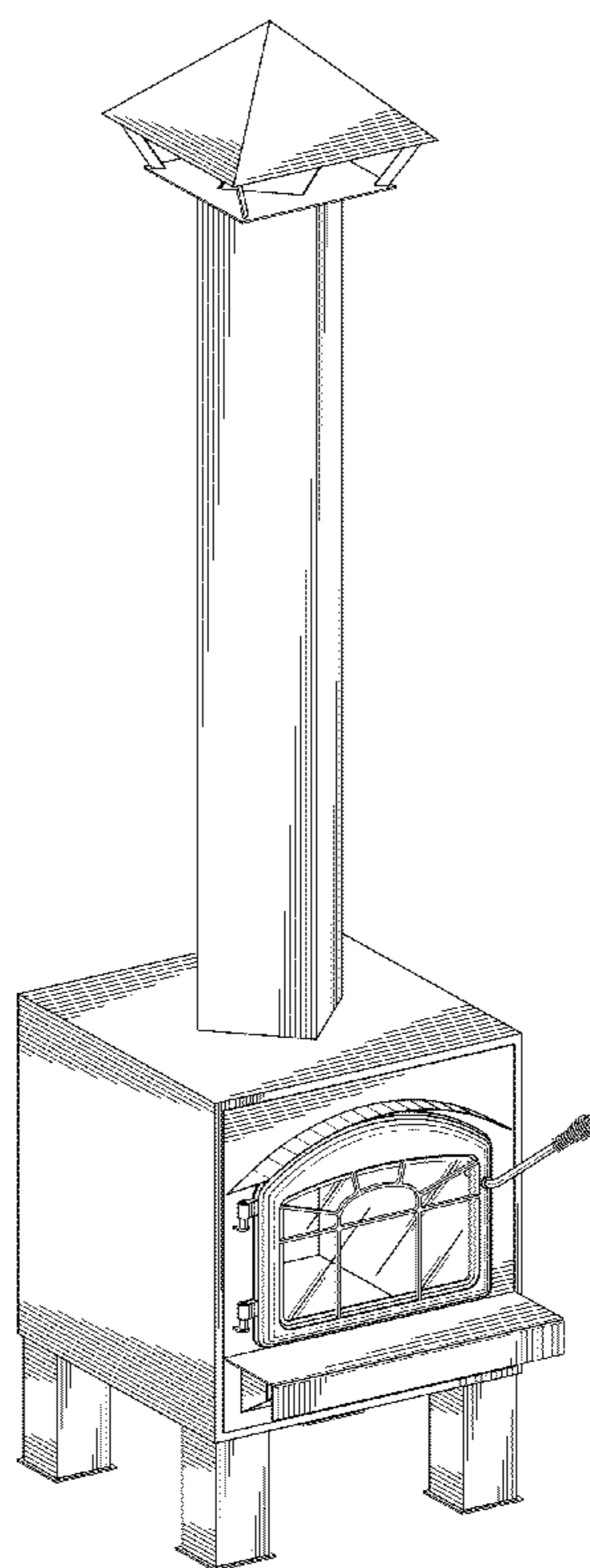
FIG. 5 is a top view of the design of FIG. 1.

FIG. 6 is a bottom view of the design of FIG. 1; and,

FIG. 7 is a rear view of the design of FIG. 1.

See application file for complete search history.

**1 Claim, 6 Drawing Sheets**



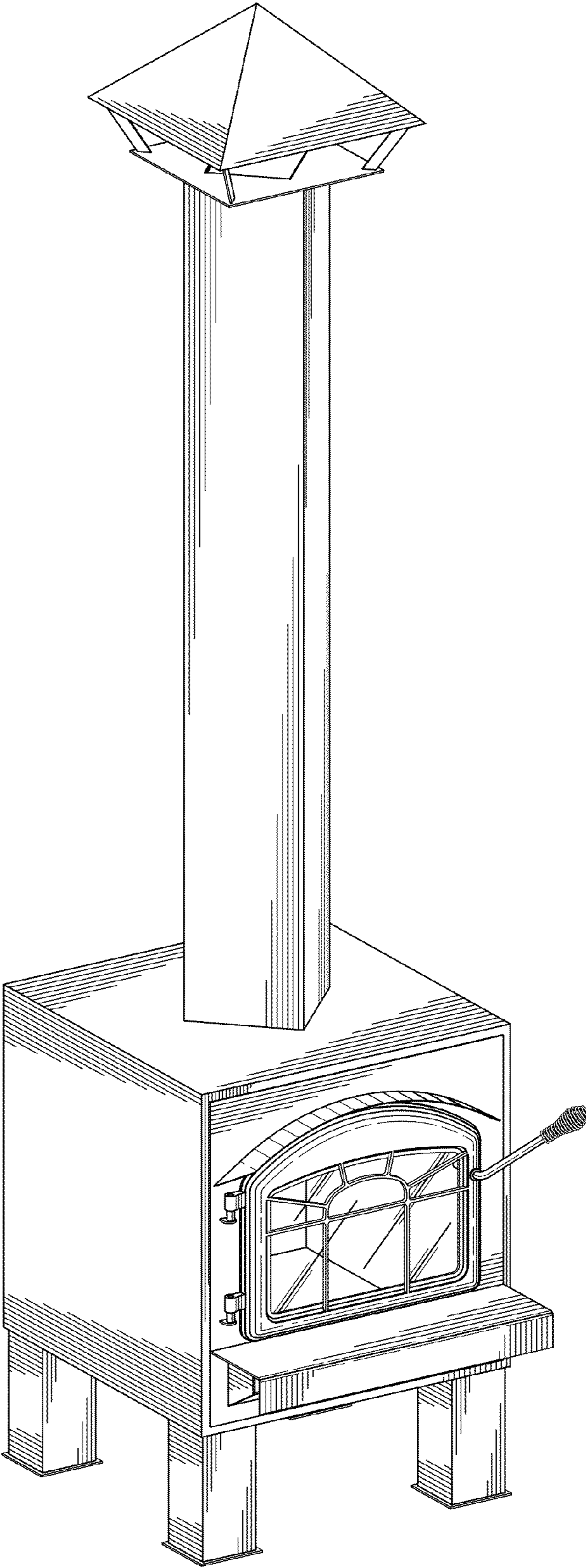


FIG. 1

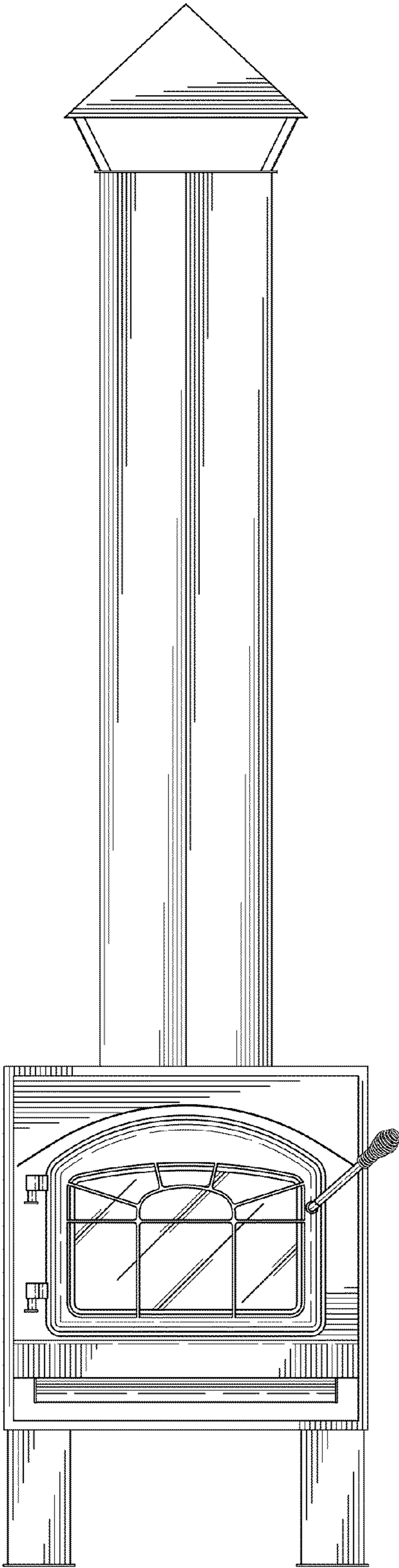


FIG. 2

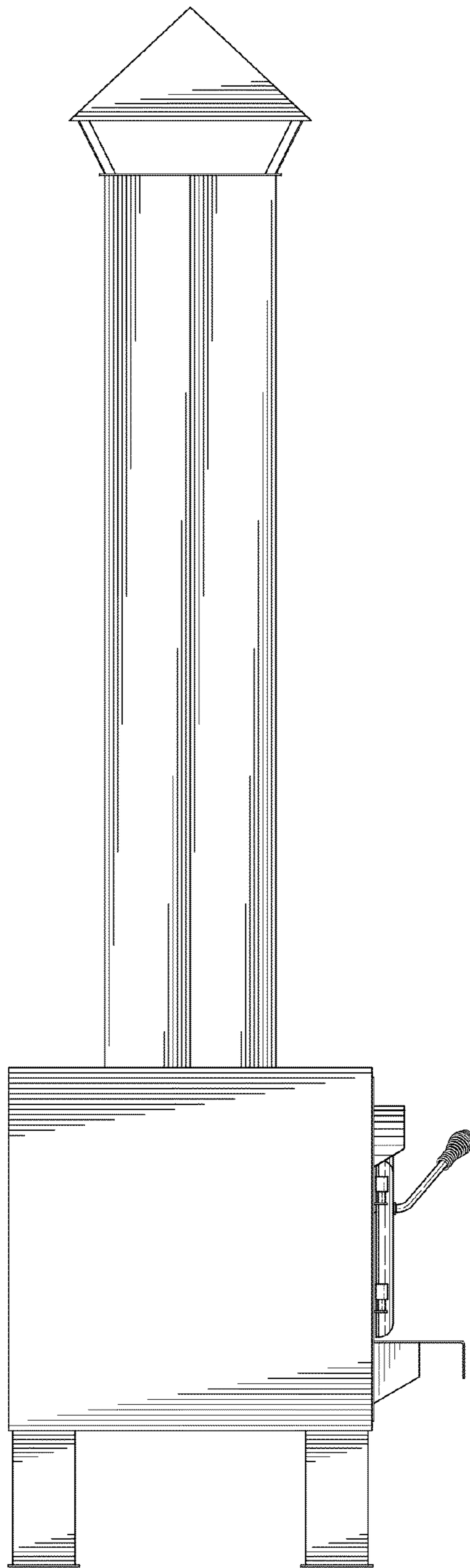


FIG. 3

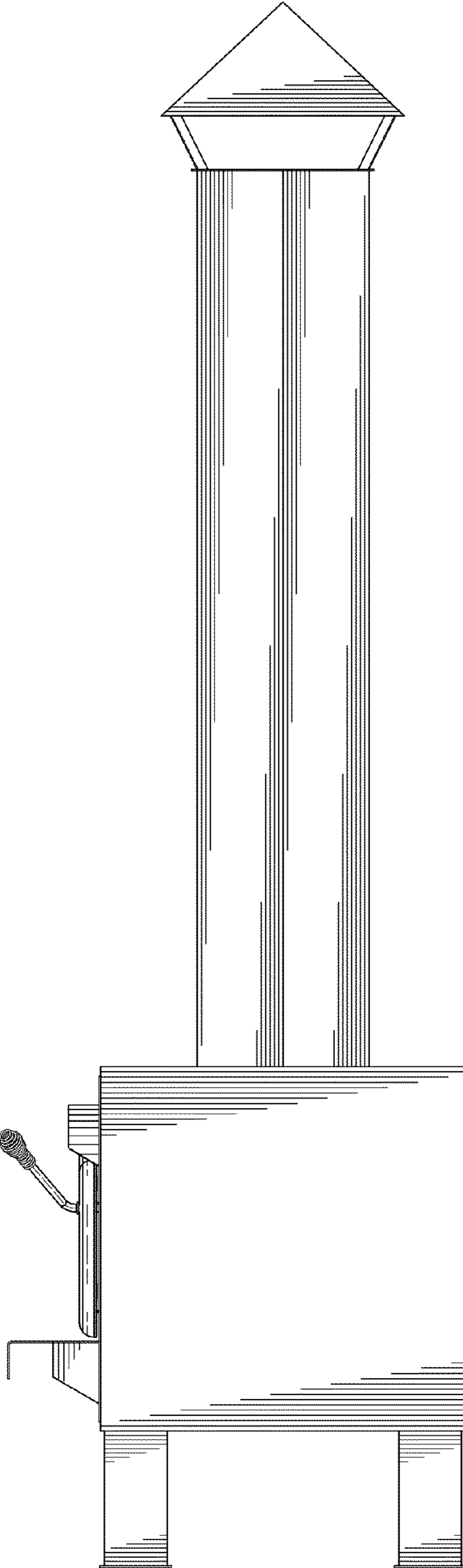
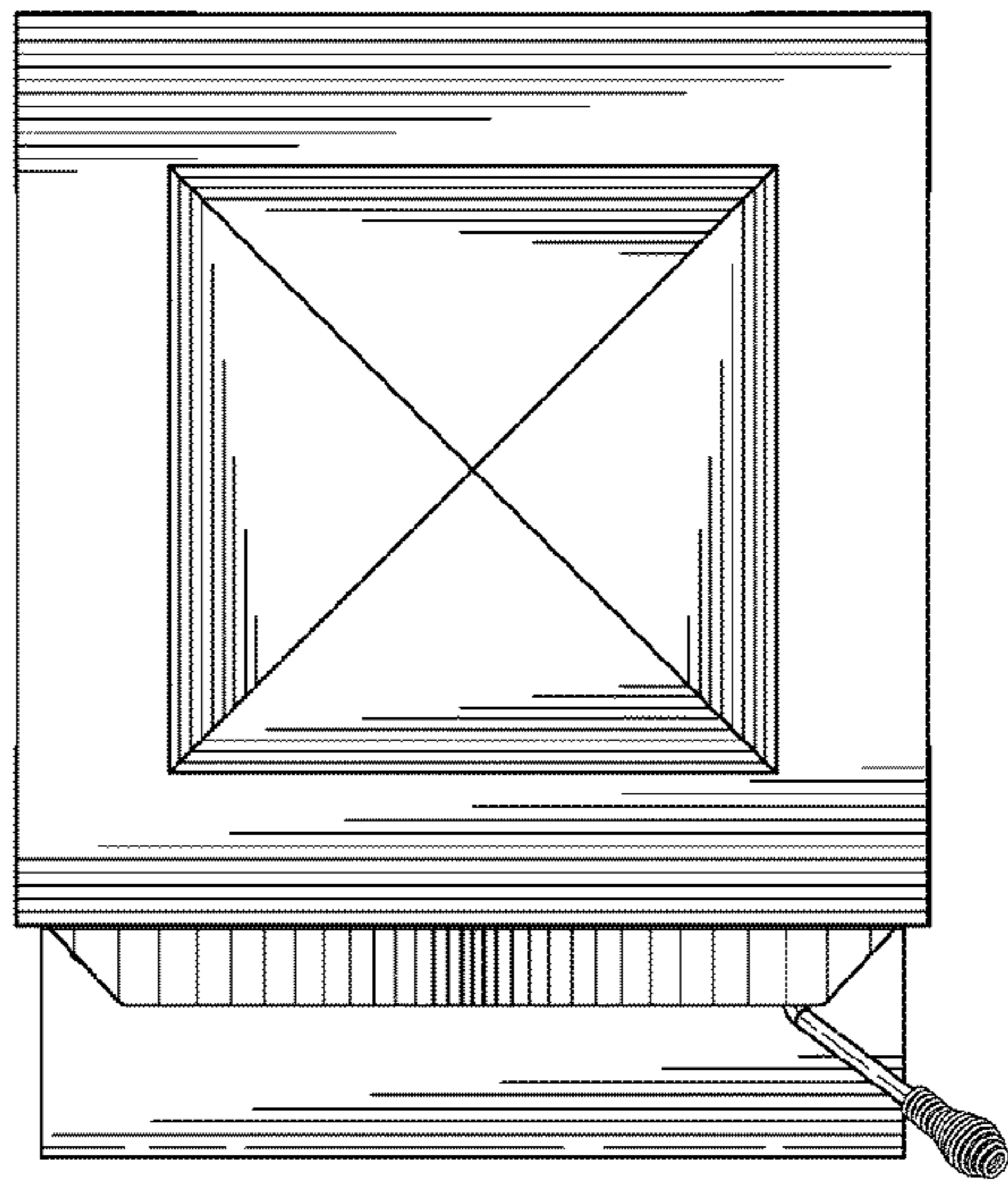
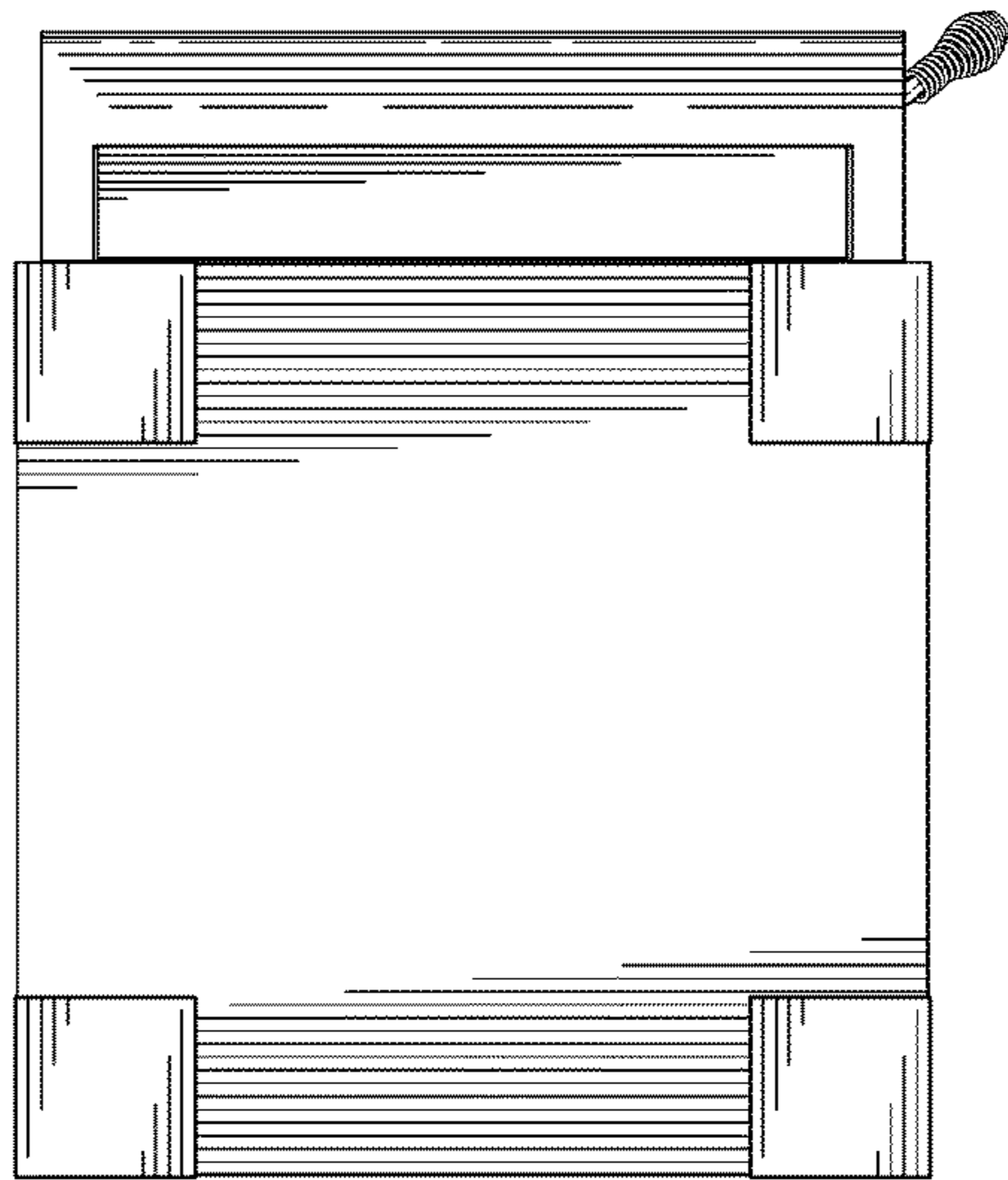


FIG. 4



*FIG. 5*



*FIG. 6*

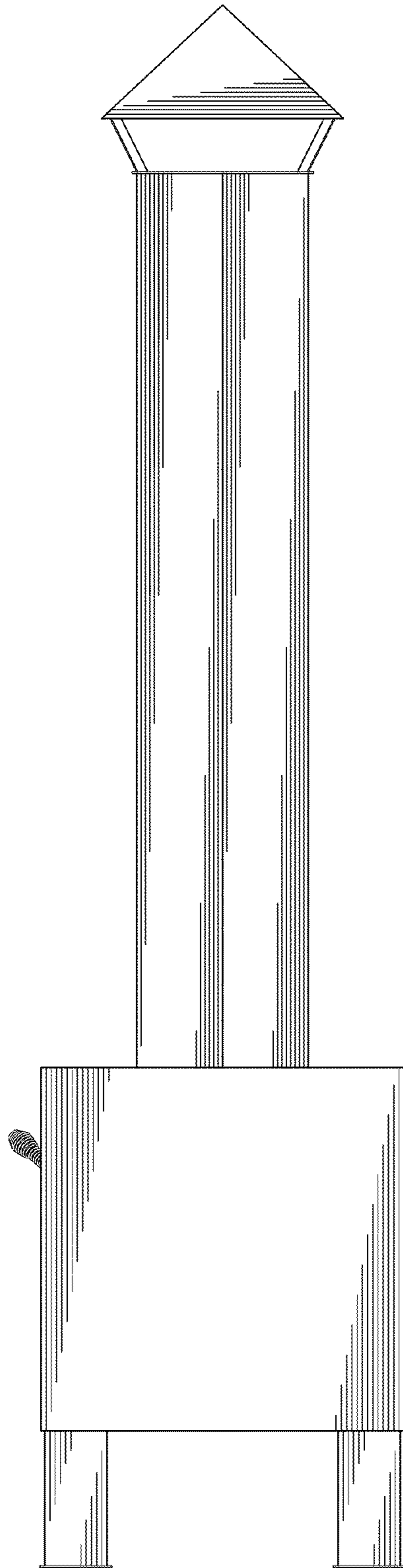


FIG. 7