



US00D710981S

(12) **United States Design Patent**  
**Eilmus et al.**

(10) **Patent No.:** **US D710,981 S**

(45) **Date of Patent:** **\*\* Aug. 12, 2014**

(54) **SINK**

(71) Applicant: **Kohler Co.**, Kohler, WI (US)

(72) Inventors: **Niels J. Eilmus**, Sheboygan, WI (US);  
**Jason R. Miller**, Sheboygan Falls, WI (US)

(73) Assignee: **Kohler Co.**, Kohler, WI (US)

(\*\*) Term: **14 Years**

(21) Appl. No.: **29/482,721**

(22) Filed: **Feb. 21, 2014**

**Related U.S. Application Data**

(62) Division of application No. 29/445,781, filed on Feb. 15, 2013, now Pat. No. Des. 702,332.

(51) **LOC (10) Cl.** ..... **23-02**

(52) **U.S. Cl.**  
USPC ..... **D23/308**

(58) **Field of Classification Search**  
USPC ..... D23/272-274, 284, 286, 292-293.1,  
D23/303, 308; 4/619, 639  
See application file for complete search history.

(56) **References Cited**

**U.S. PATENT DOCUMENTS**

D259,439 S	6/1981	Doman	
D318,104 S *	7/1991	Blanc et al.	D23/290
D353,652 S	12/1994	Dannenberg	
D498,291 S	11/2004	Bayer	
D504,496 S	4/2005	Bayer	
D505,188 S	5/2005	Bayer	

D544,947 S *	6/2007	Taylor	D23/290
D570,459 S	6/2008	Kitzmilller	
D570,969 S *	6/2008	Kitzmilller	D23/290
D647,605 S	10/2011	Booth	

\* cited by examiner

*Primary Examiner* — Robert Delehanty

(74) *Attorney, Agent, or Firm* — Foley & Lardner LLP

(57) **CLAIM**

We claim the ornamental design for a sink, as shown and described.

**DESCRIPTION**

FIG. 1 is a perspective view of an embodiment of the claimed design;

FIG. 2 is another perspective view of the claimed design of FIG. 1;

FIG. 3 is a top view of the claimed design of FIG. 1;

FIG. 4 is a bottom view of the claimed design of FIG. 1;

FIG. 5 is a rear view of the claimed design of FIG. 1;

FIG. 6 is a front view of the claimed design of FIG. 1;

FIG. 7 is a left-side view of the claimed design of FIG. 1;

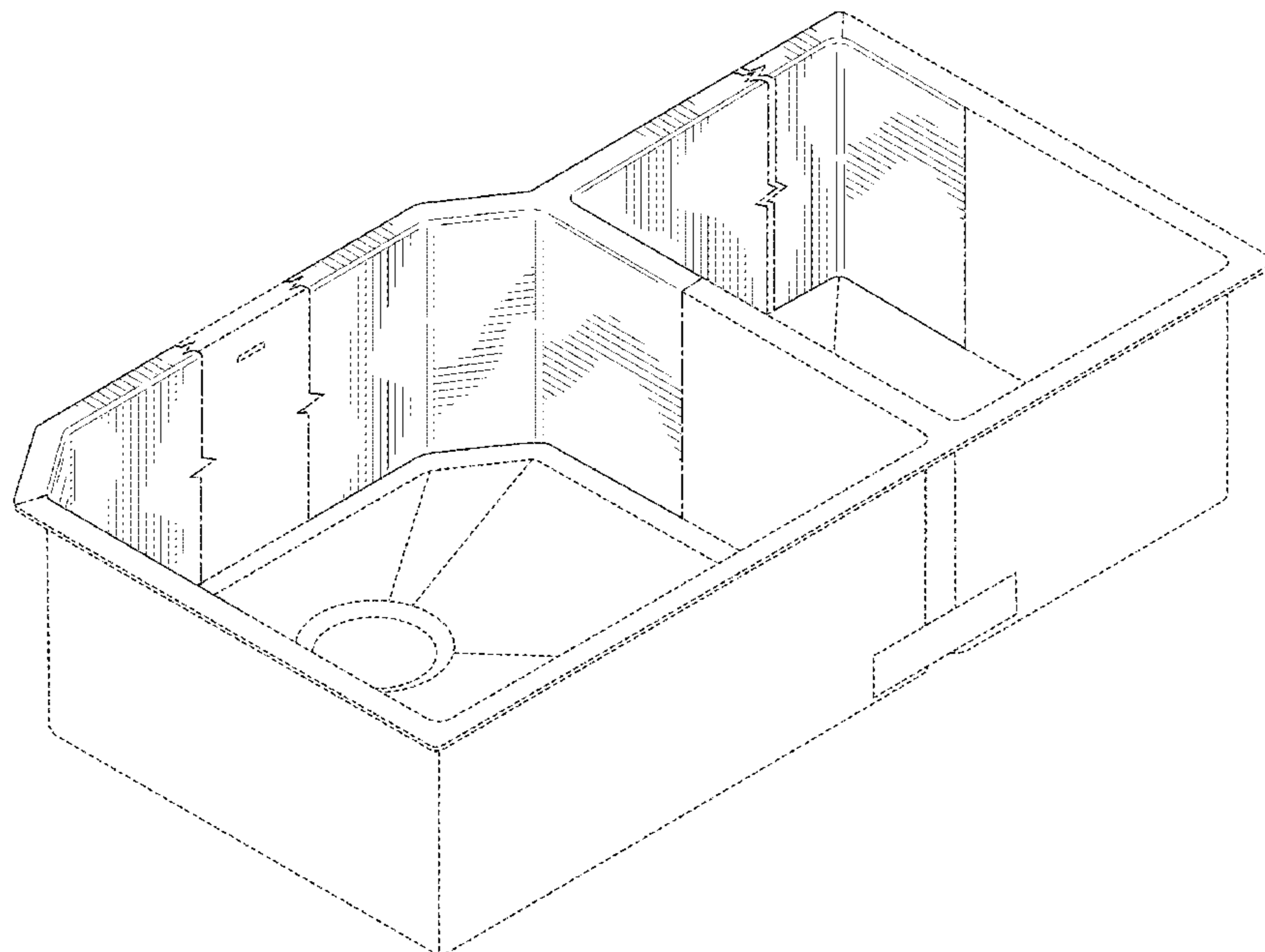
FIG. 8 is a right-side view of the claimed design of FIG. 1;

FIG. 9 is a cross-sectional view of the claimed design of FIG. 1 taken along line 9-9 in FIG. 3; and,

FIG. 10 is a cross-sectional view of the claimed design of FIG. 1 taken along line 10-10 in FIG. 3.

The ornamental design which is claimed is shown in solid lines in the drawings. The broken lines in the drawings are for illustrative purposes only and form no part of the claimed design. The dash-dot lines in the drawings define boundaries of the claimed design and form no part thereof.

**1 Claim, 10 Drawing Sheets**



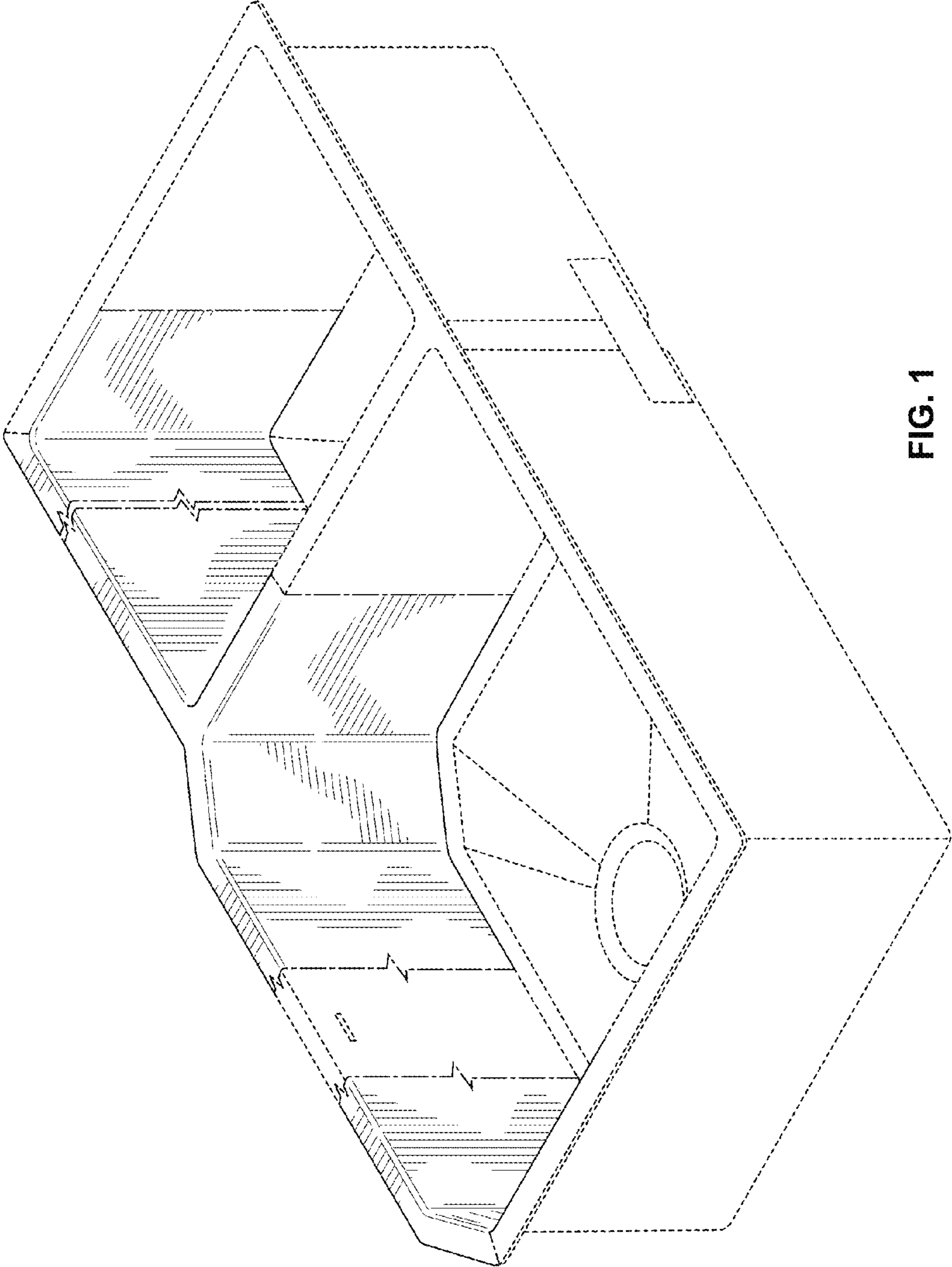


FIG. 1

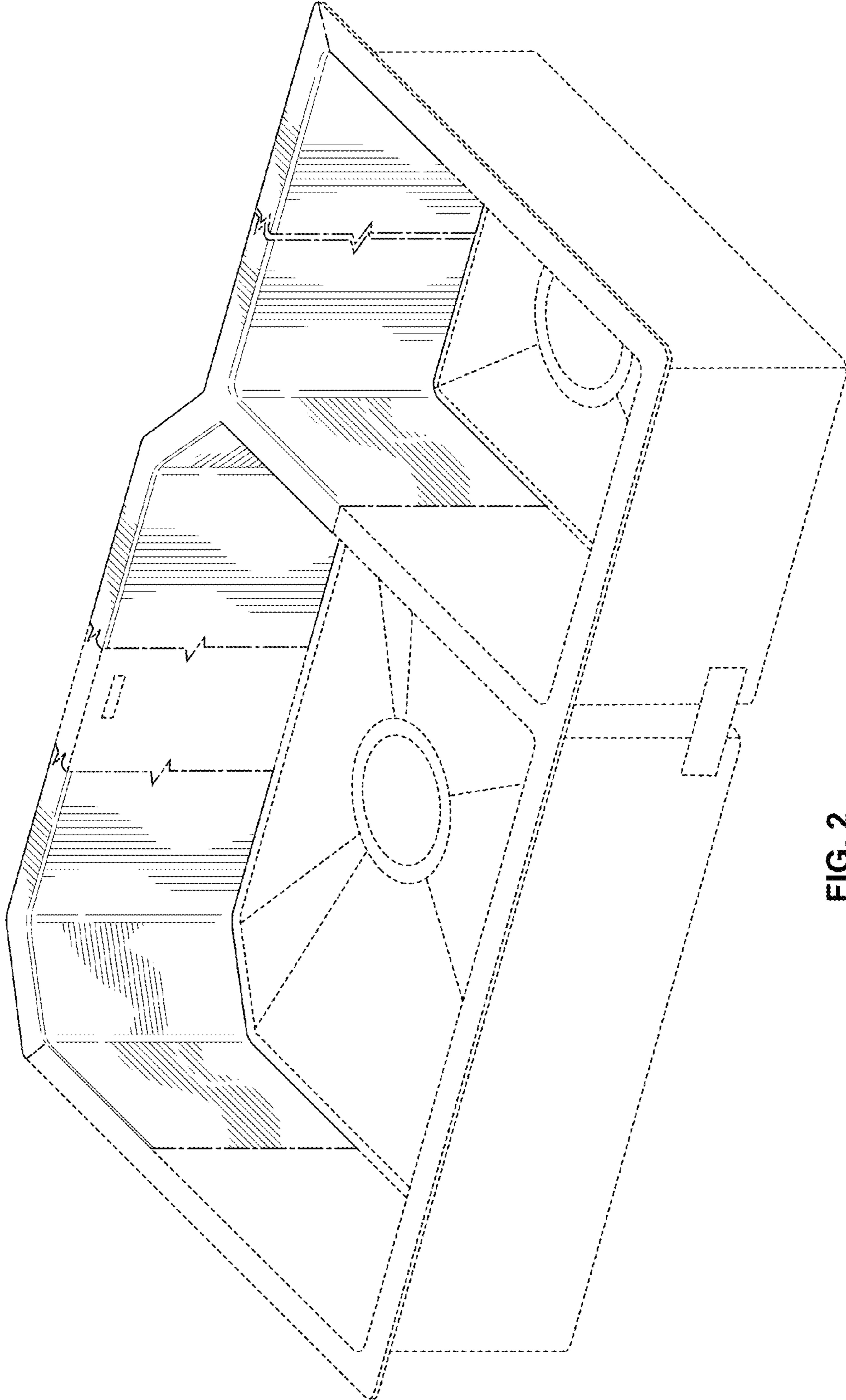
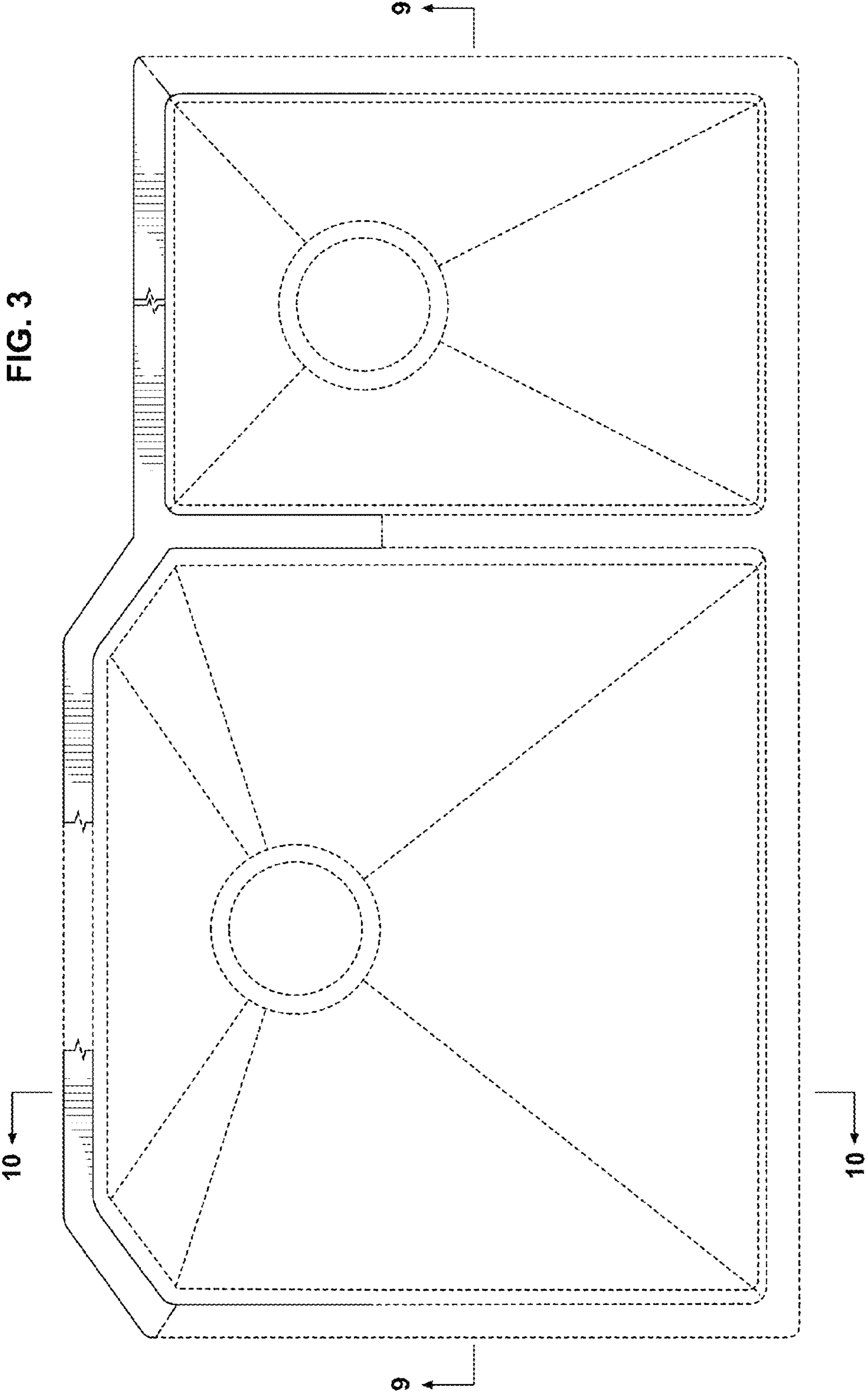


FIG. 2





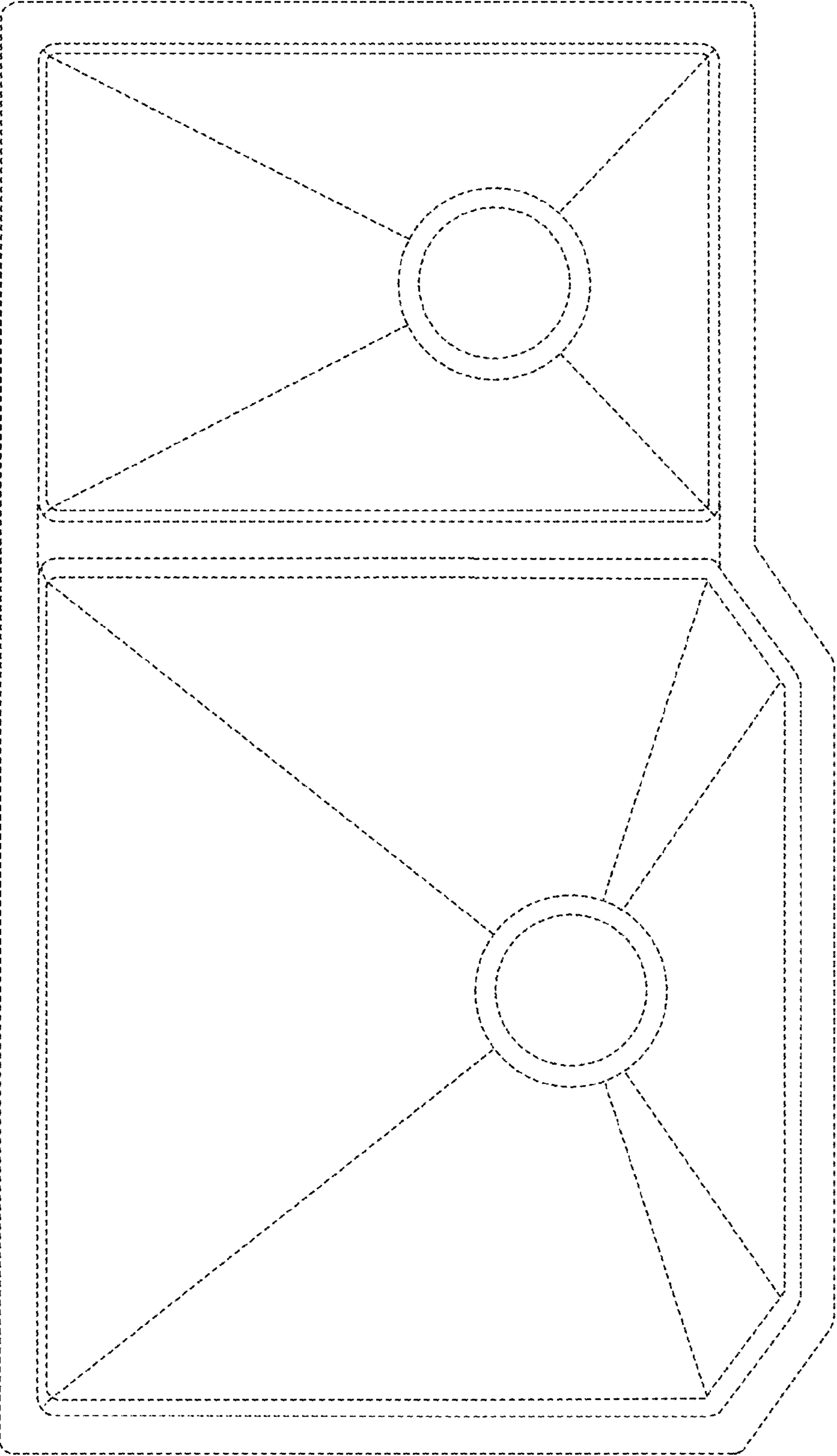


FIG. 4

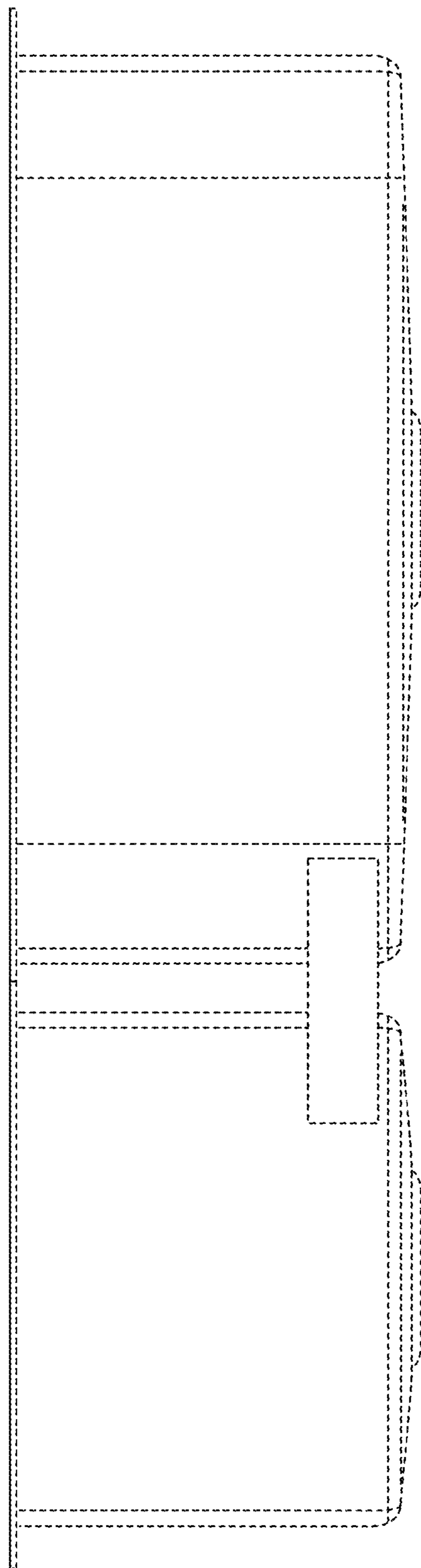


FIG. 5

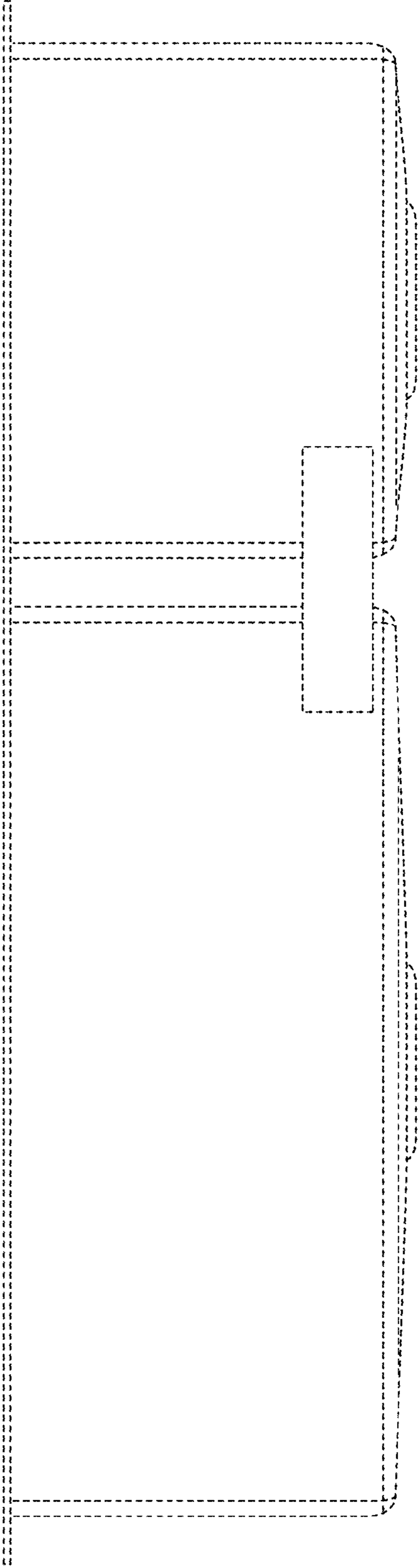


FIG. 6

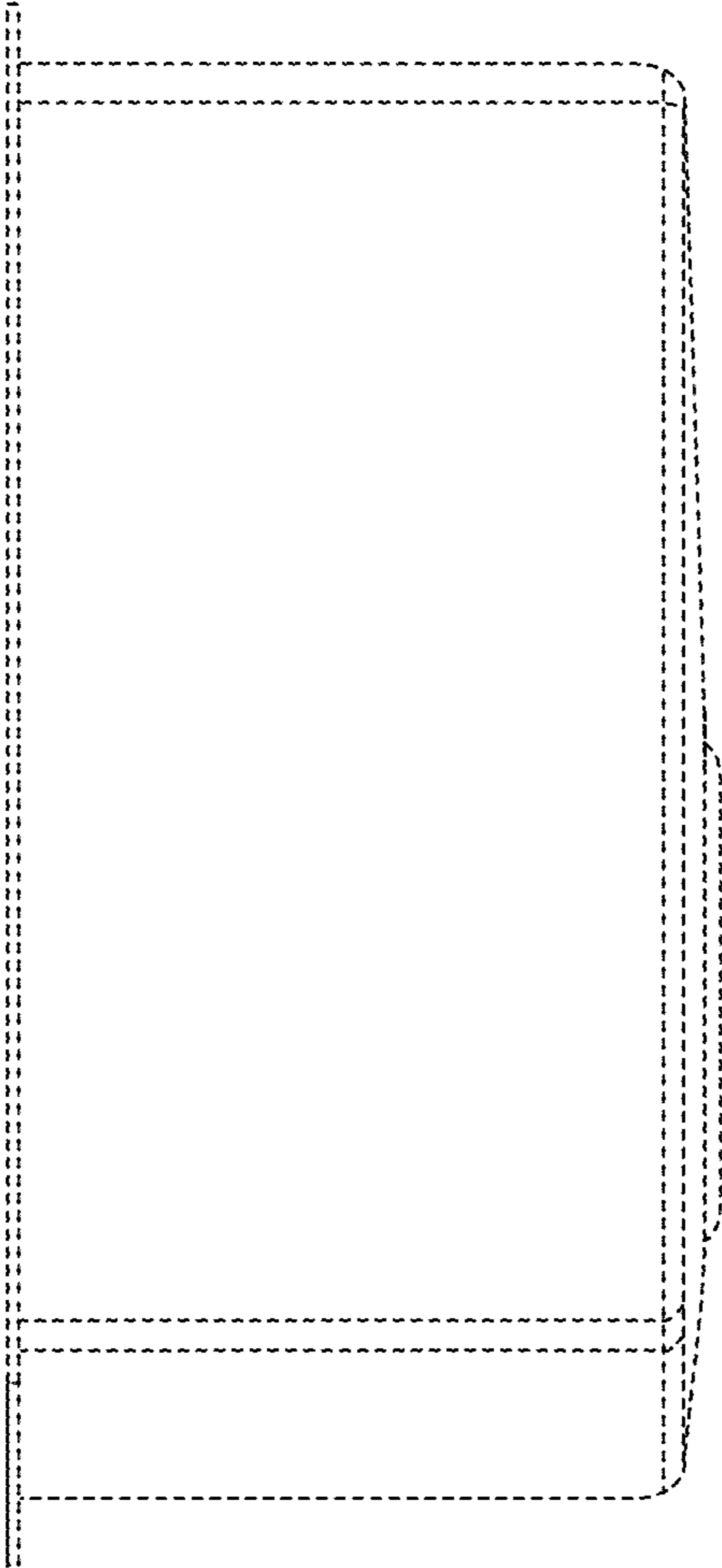


FIG. 7



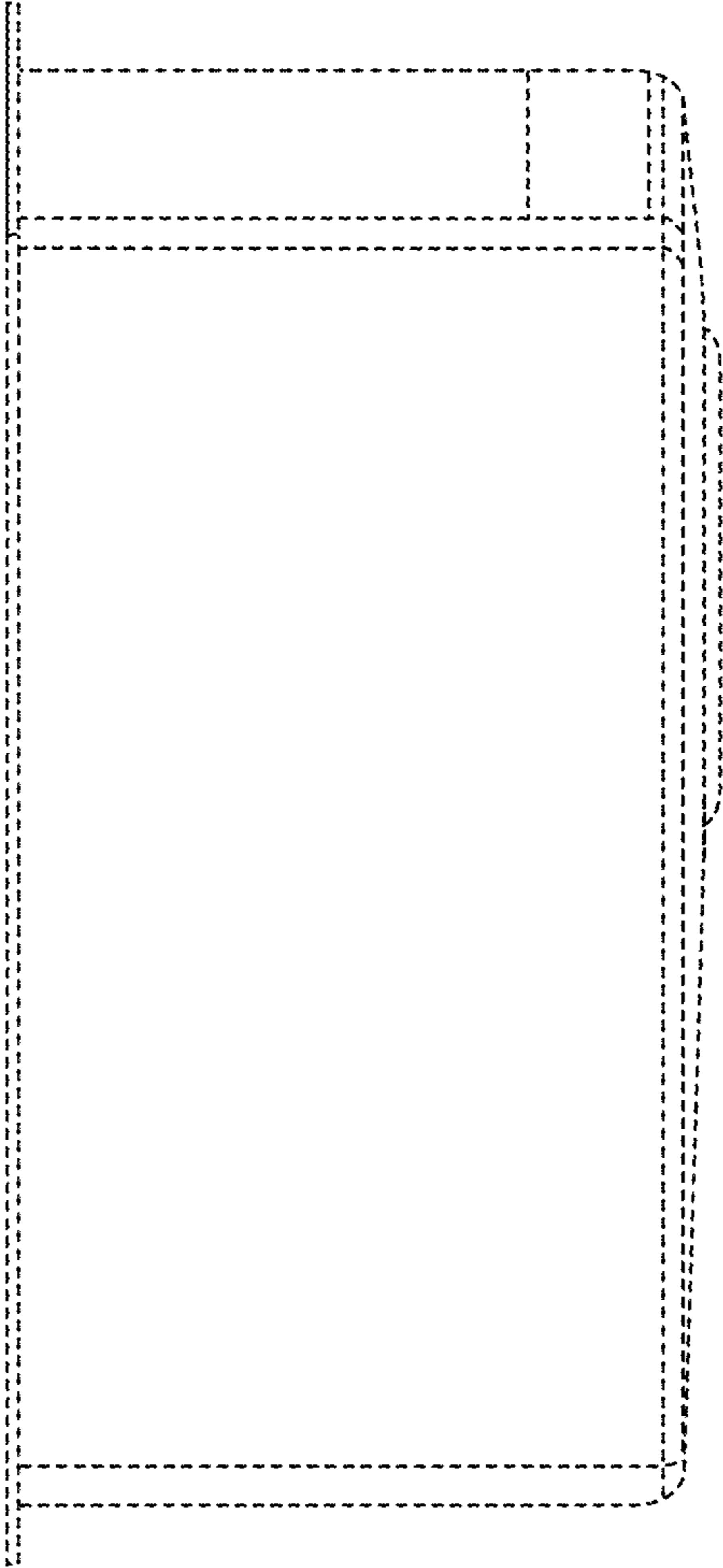


FIG. 8

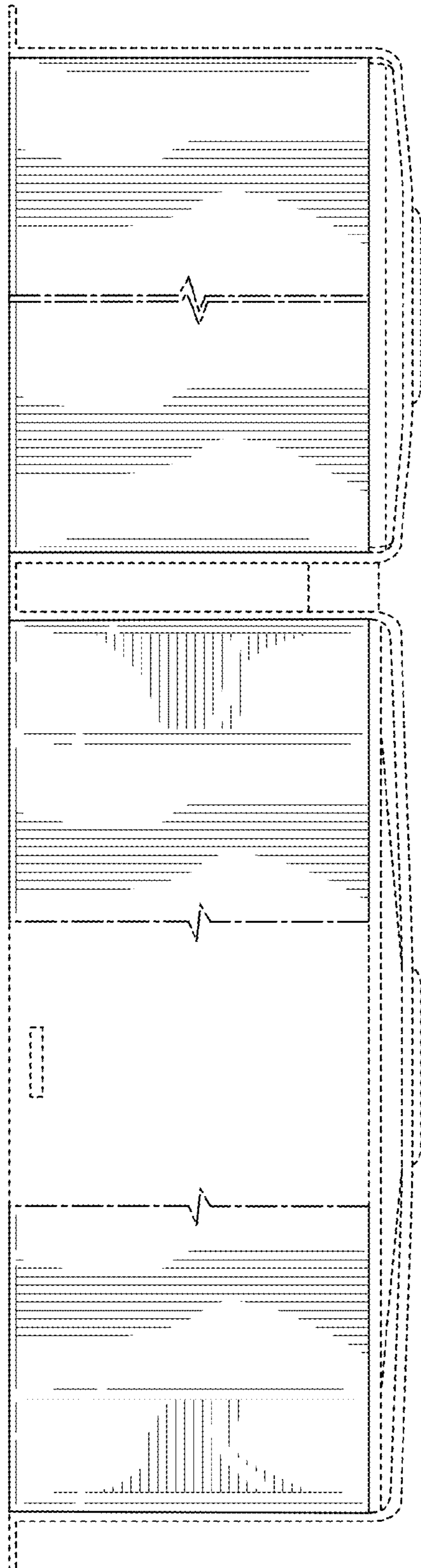


FIG. 9

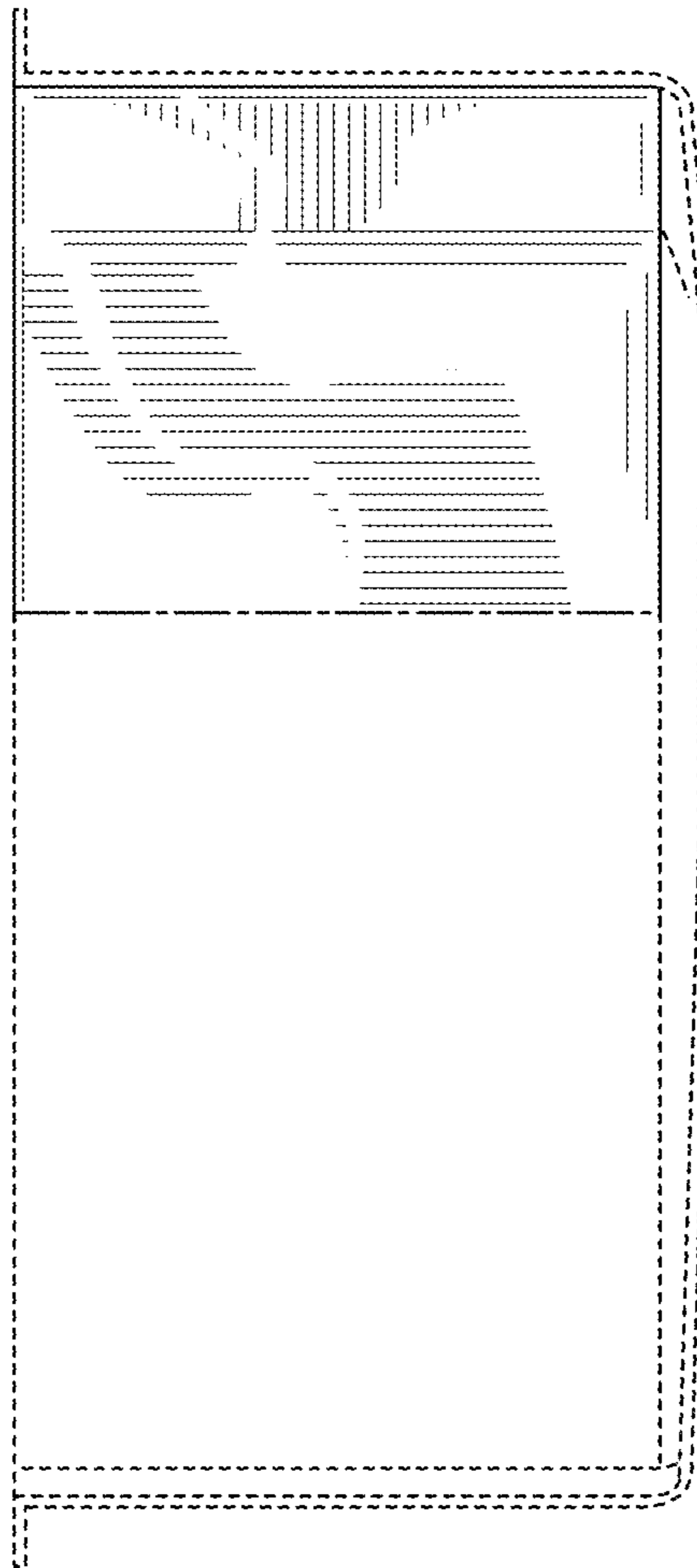


FIG. 10