



US00D710980S

(12) **United States Design Patent**  
**Pollard, Jr.**

(10) **Patent No.:** **US D710,980 S**

(45) **Date of Patent:** **\*\* Aug. 12, 2014**

(54) **PORTABLE STORAGE SHELF**

(71) Applicant: **Bernard Pollard, Jr.**, Overland Park, KS  
(US)

(72) Inventor: **Bernard Pollard, Jr.**, Overland Park, KS  
(US)

(73) Assignee: **BJMP, LLC.**, Nashville, TN (US)

(\*\*) Term: **14 Years**

(21) Appl. No.: **29/447,517**

(22) Filed: **Mar. 4, 2013**

(51) **LOC (10) Cl.** ..... **23-02**

(52) **U.S. Cl.**  
USPC ..... **D23/308**

(58) **Field of Classification Search**  
USPC ..... D23/272-273, 284-293.1, 303, 308;  
4/628; D6/406.1-406.3; D7/552.1,  
D7/553.6-553.7, 550.1, 406.3; 269/289 R;  
211/73, 131.1, 163, 132.1  
See application file for complete search history.

(56) **References Cited**

**U.S. PATENT DOCUMENTS**

D135,524 S *	4/1943	Johnstone	.....	D7/550.1
3,301,406 A *	1/1967	Scott	.....	D6/406.2
3,498,471 A *	3/1970	Dirkx	.....	211/131.1
3,591,871 A *	7/1971	Segal	.....	D23/293.1
D261,440 S *	10/1981	Pasquarello	.....	D23/289
D342,806 S *	12/1993	Jones et al.	.....	D24/227
D413,209 S *	8/1999	Jarke	.....	D7/550.1
D449,875 S *	10/2001	Fludd-Robinson et al.	.....	D23/308
6,994,336 B2 *	2/2006	Loo	.....	269/289 R

D631,952 S *	2/2011	Marcoff	.....	D23/308
D672,163 S *	12/2012	Wells et al.	.....	D6/406.3
2005/0110203 A1 *	5/2005	Loo	.....	269/289 R

\* cited by examiner

*Primary Examiner* — Robert A. Delehanty

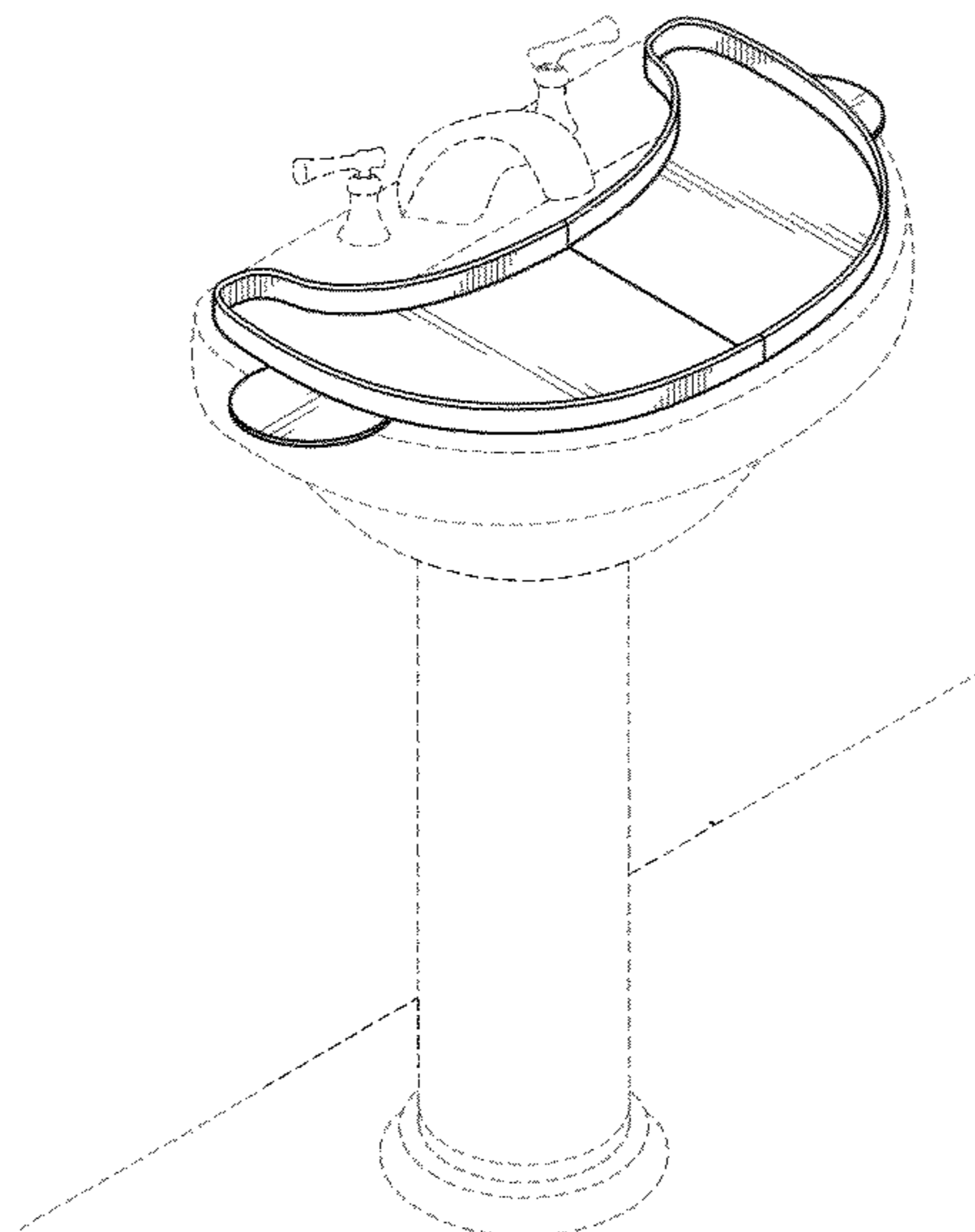
(57) **CLAIM**

I claim the ornamental design for a portable storage shelf, substantially as shown and described.

**DESCRIPTION**

FIG. 1 is a perspective view of the fully extended portable storage shelf of the present invention;  
 FIG. 2 is a top elevational view of the partially retracted portable storage shelf of the present invention;  
 FIG. 3 is a bottom view of the partially retracted portable storage shelf of the present invention;  
 FIG. 4 is a right side view of the partially retracted portable storage shelf of the present invention;  
 FIG. 5 is a front view of the partially retracted portable storage shelf of the present invention;  
 FIG. 6 is a rear view of the partially retracted portable storage shelf of the present invention;  
 FIG. 7 is a top elevational view of the fully extended portable storage shelf of the present invention;  
 FIG. 8 is a bottom view of the fully extended portable storage shelf of the present invention;  
 FIG. 9 is a front view of the partially retracted portable storage shelf of the present invention; and,  
 FIG. 10 is a right side view of the partially retracted portable storage shelf of present invention.  
 The broken lines in FIGS. 1, 4, and 10 are for illustrative purposes only and form no part of the claimed design.

**1 Claim, 5 Drawing Sheets**



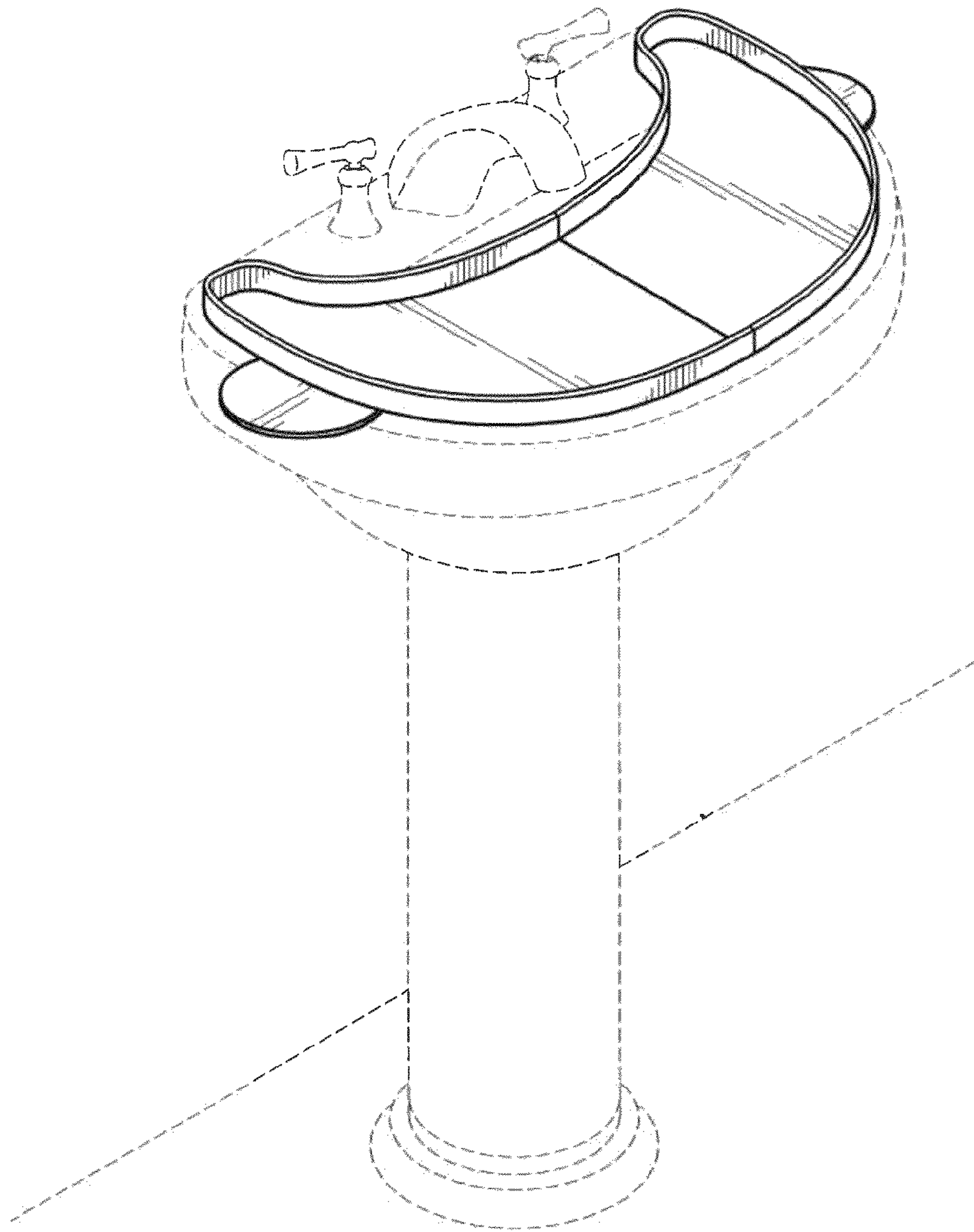


FIG. 1

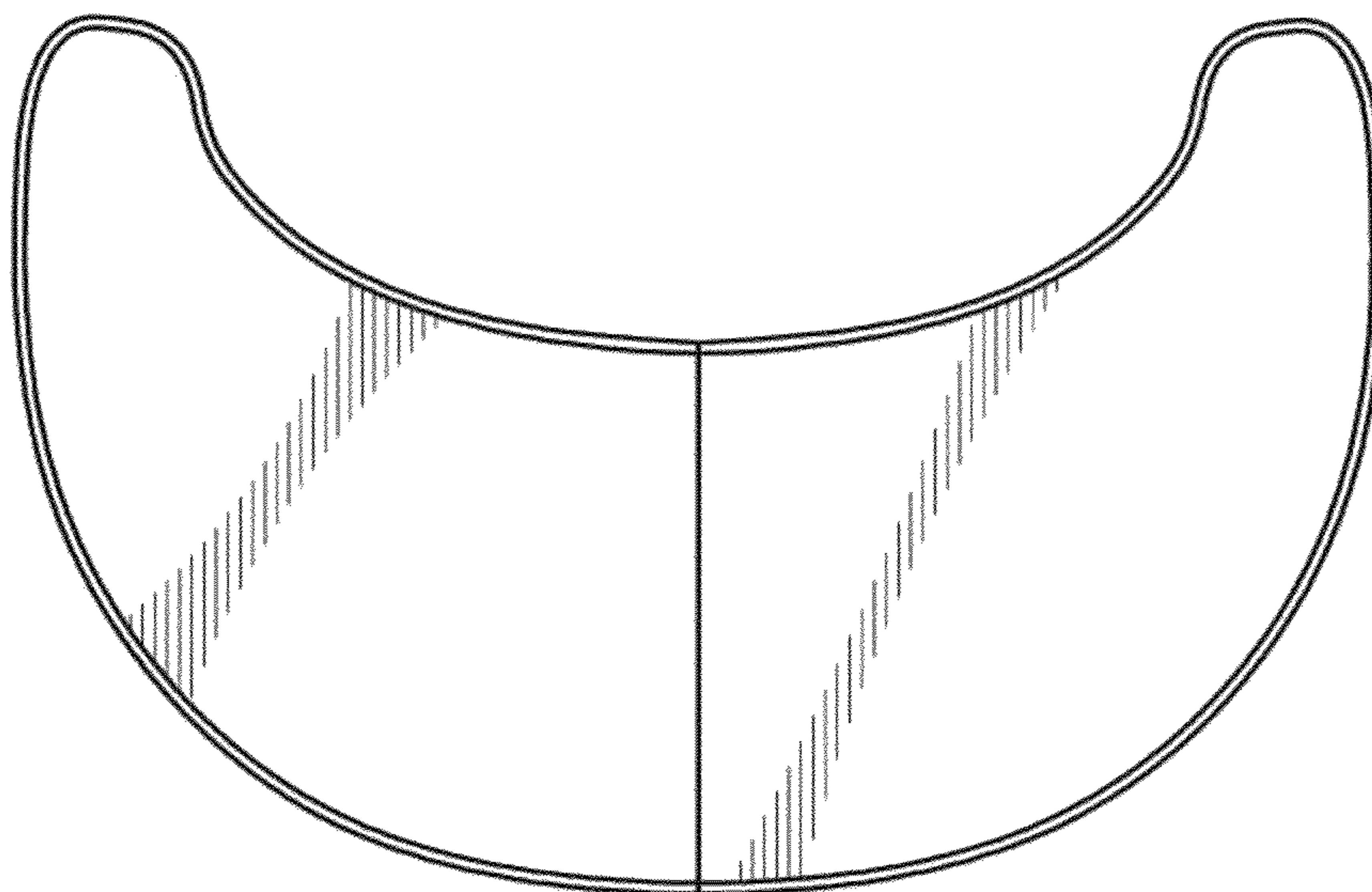


FIG. 2

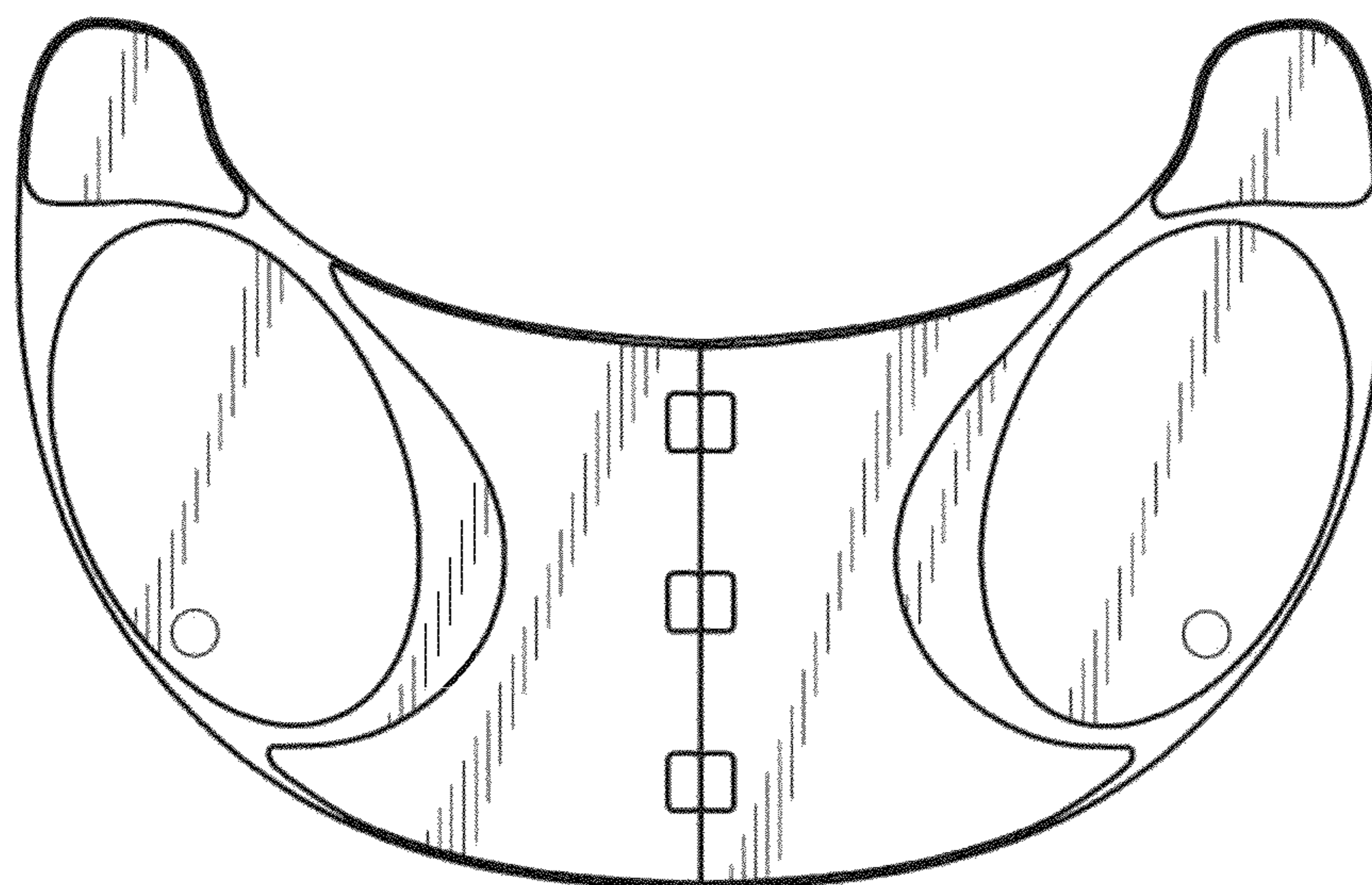


FIG. 3



FIG. 4



FIG. 5



FIG. 6



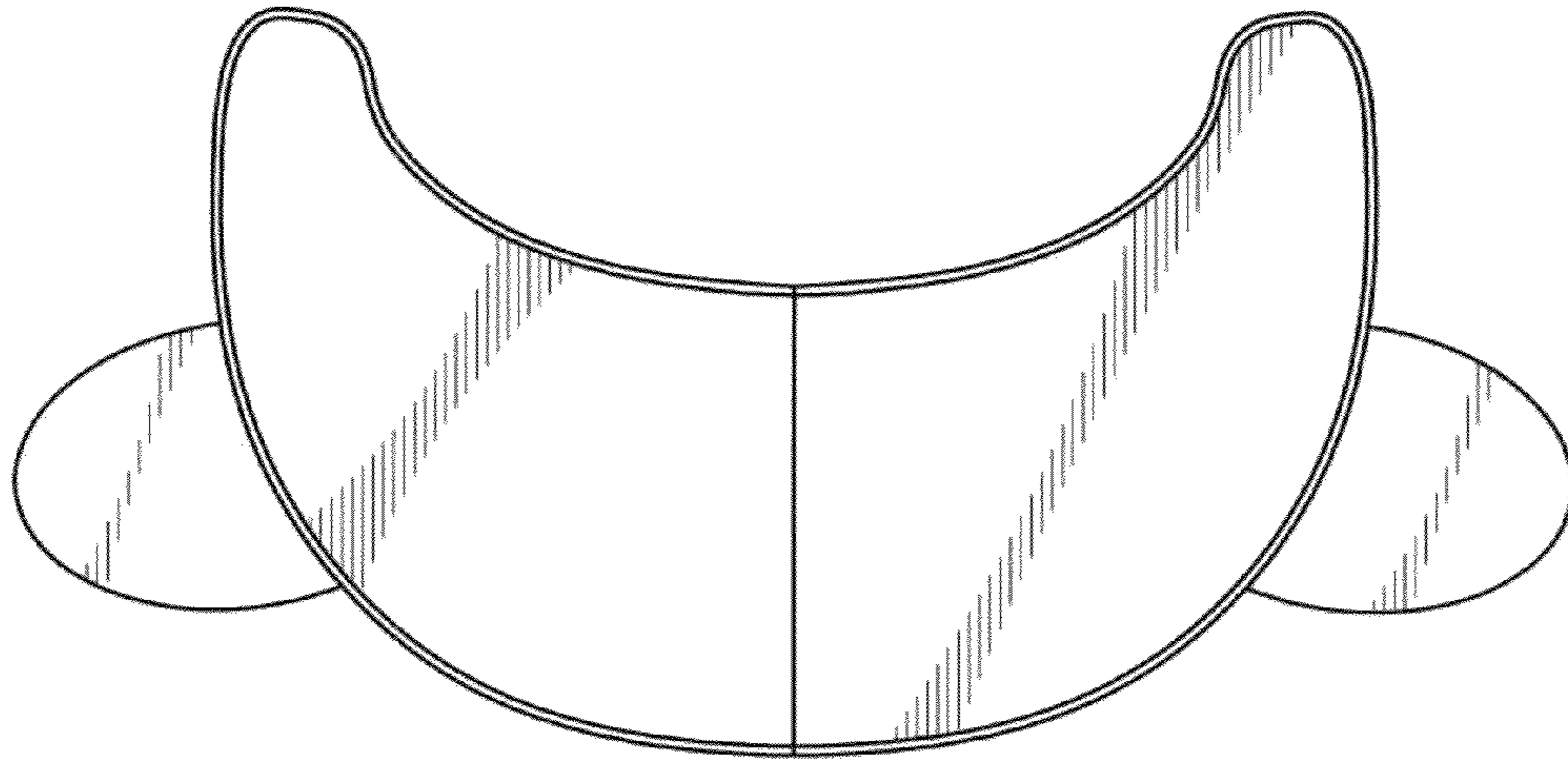


FIG. 7

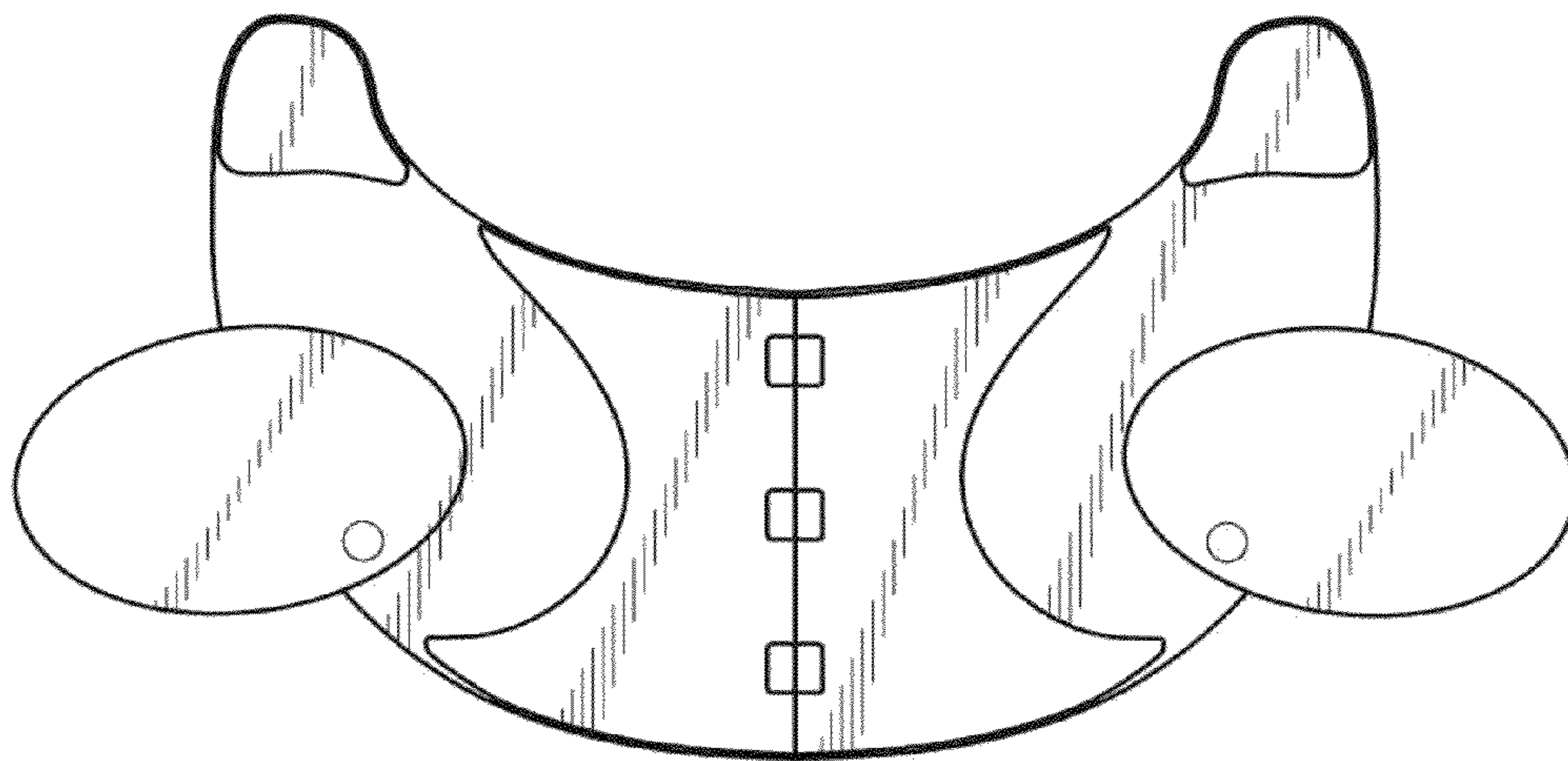


FIG. 8

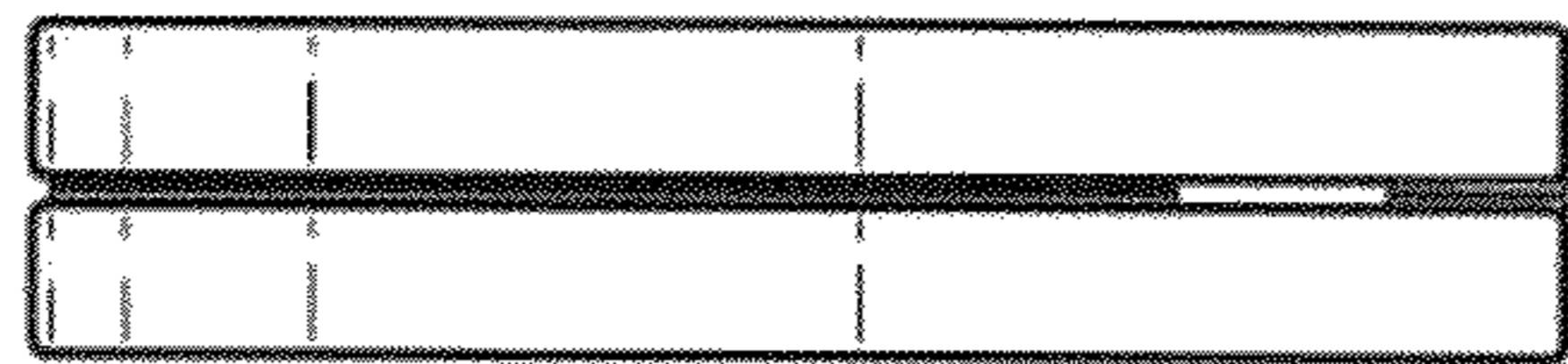


FIG. 9

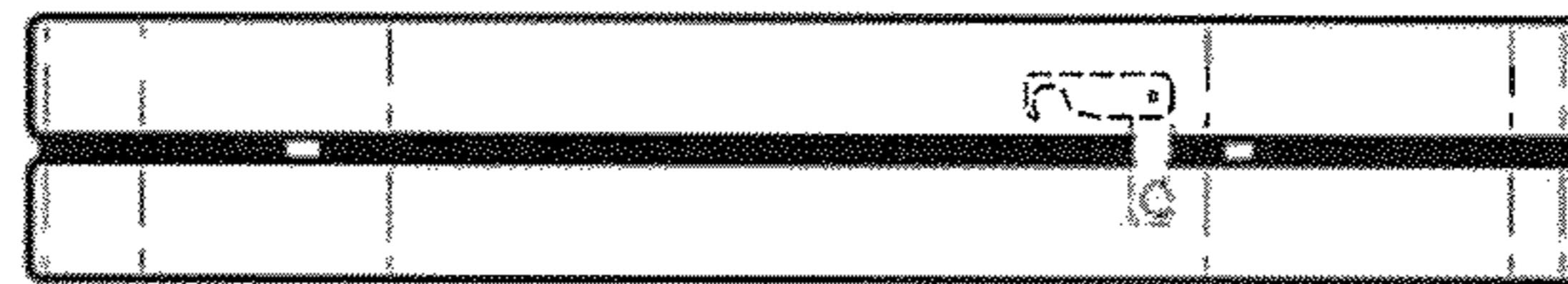
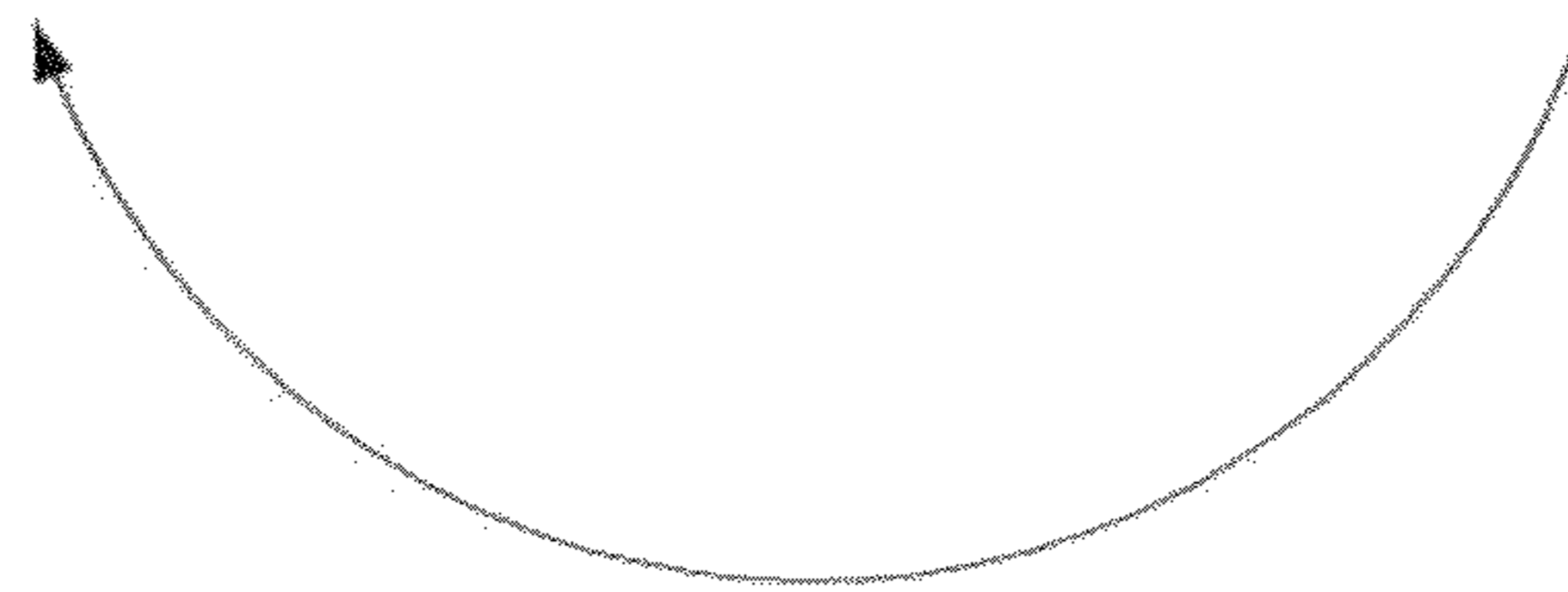


FIG. 10