



US00D710978S

(12) **United States Design Patent**
Spangler

(10) **Patent No.:** **US D710,978 S**

(45) **Date of Patent:** **** Aug. 12, 2014**

(54) **SINK**

(71) Applicant: **Masco Corporation of Indiana,**
Indianapolis, IN (US)

(72) Inventor: **Anthony Spangler,** Indianapolis, IN
(US)

(73) Assignee: **Masco Corporation of Indiana,**
Indianapolis, IN (US)

(**) Term: **14 Years**

(21) Appl. No.: **29/479,461**

(22) Filed: **Jan. 16, 2014**

Related U.S. Application Data

(62) Division of application No. 29/456,707, filed on Jun. 3,
2013, now Pat. No. Des. 700,686.

(51) **LOC (10) Cl.** **23-02**

(52) **U.S. Cl.**
USPC **D23/293.1**

(58) **Field of Classification Search**
USPC D23/284, 286, 291-293.1, 303, 308;
4/619, 643, 650, 652, 689

See application file for complete search history.

(56) **References Cited**

U.S. PATENT DOCUMENTS

D415,261 S *	10/1999	Thomas	D23/284
D499,797 S *	12/2004	Bates	D23/284
D500,843 S *	1/2005	Takou	D23/292
D538,905 S *	3/2007	Wano	D23/293.1

* cited by examiner

Primary Examiner — Robert Delehanty

(74) *Attorney, Agent, or Firm* — Edgar A. Zarins; Nirav D. Parikh

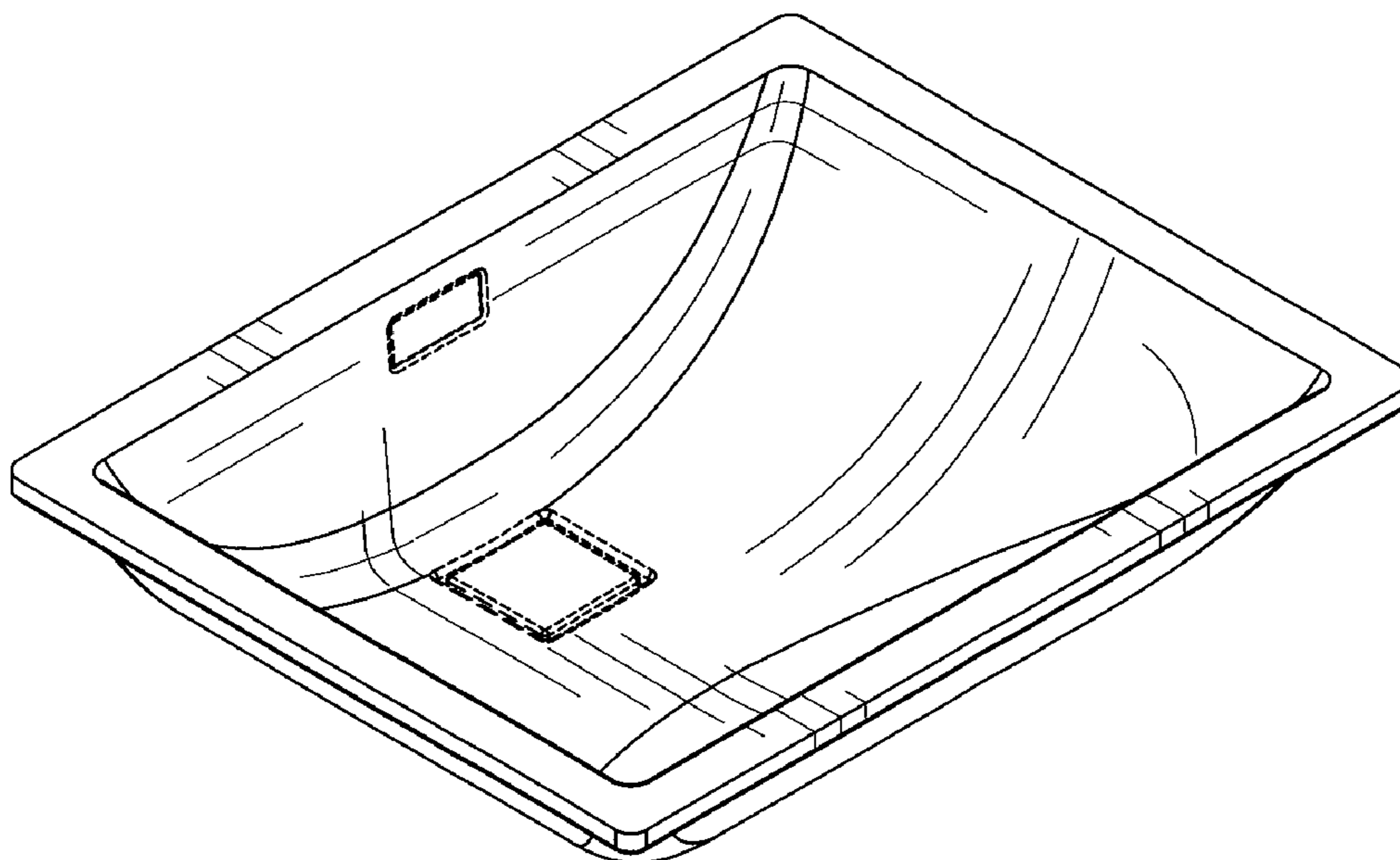
(57) **CLAIM**

The ornamental design for a sink, as shown and described.

DESCRIPTION

FIG. 1 is a perspective view of a sink showing my new design;
FIG. 2 is a rear perspective thereof;
FIG. 3 is a top plan view thereof;
FIG. 4 is a right side view thereof;
FIG. 5 is a left side view thereof;
FIG. 6 is a front elevational view thereof; and,
FIG. 7 is a bottom view thereof.

1 Claim, 3 Drawing Sheets



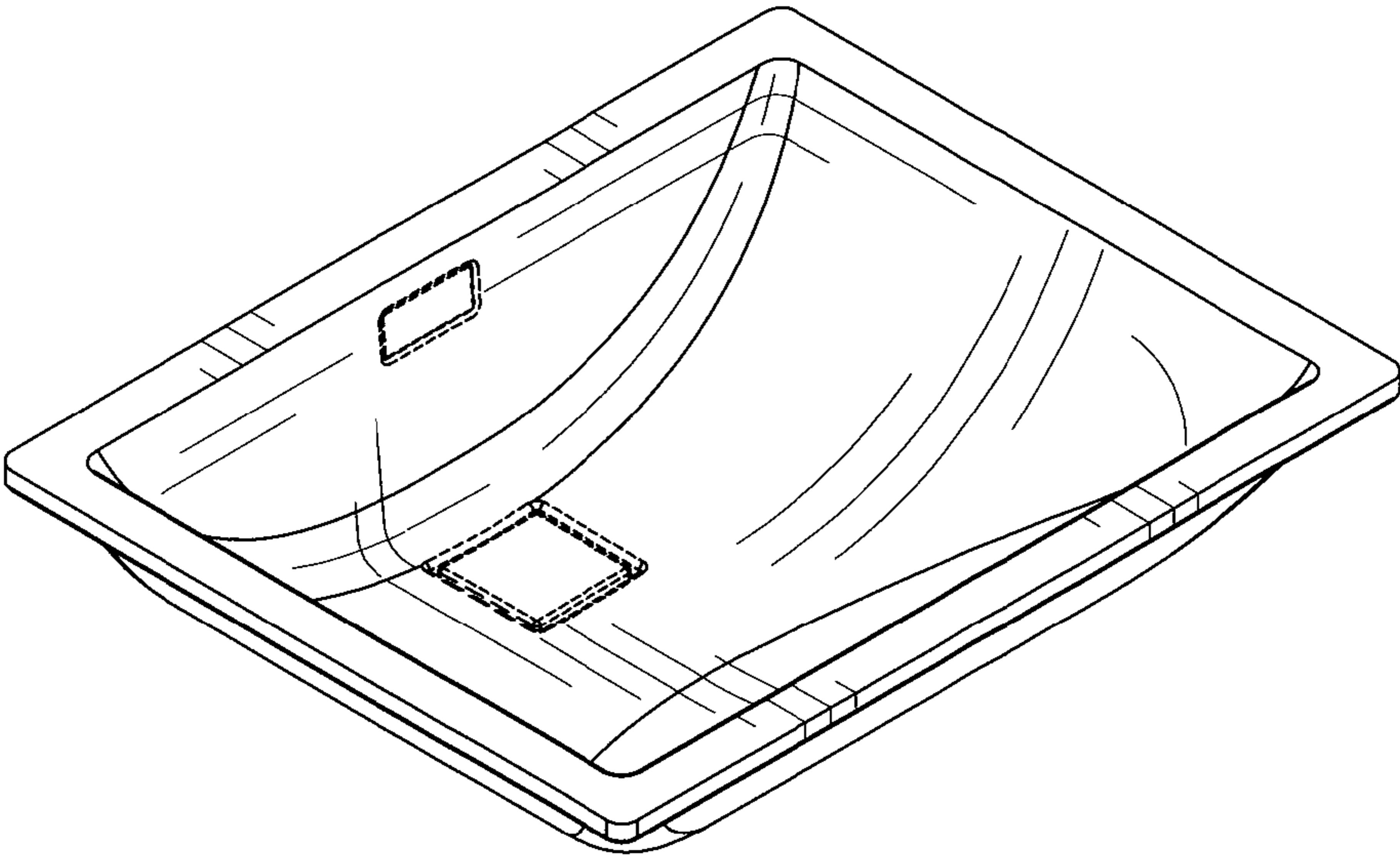


Fig-1

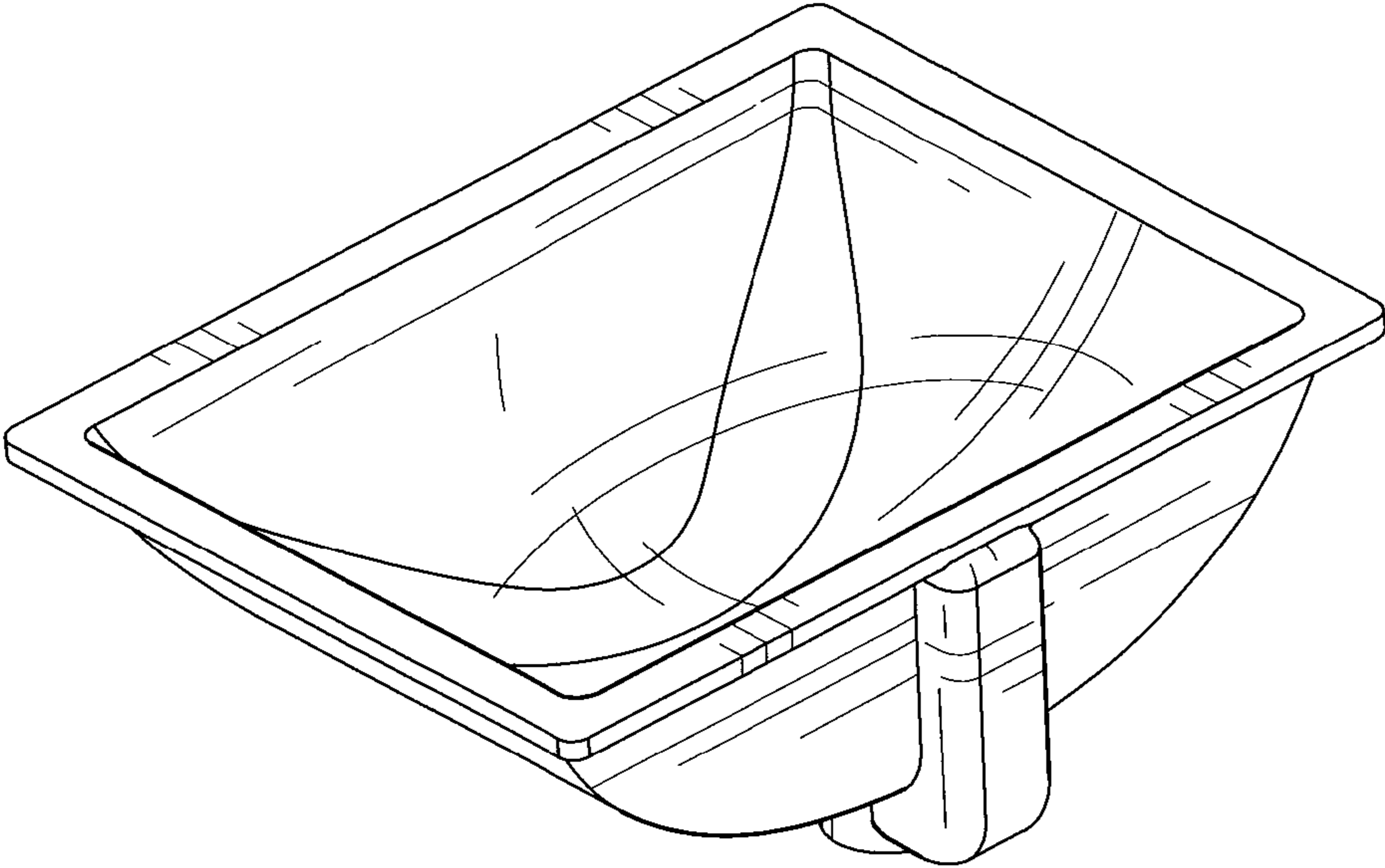


Fig-2

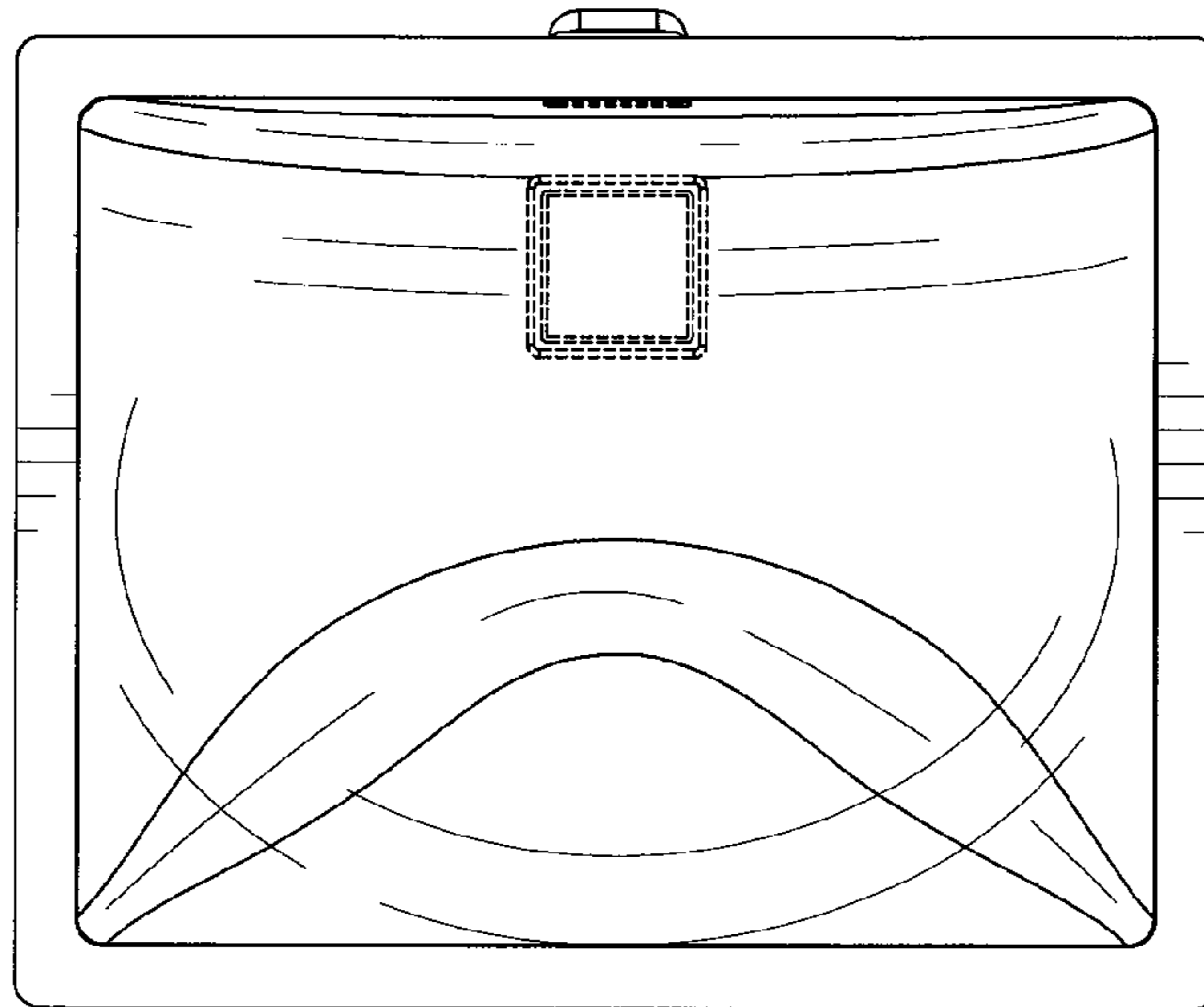


Fig-3

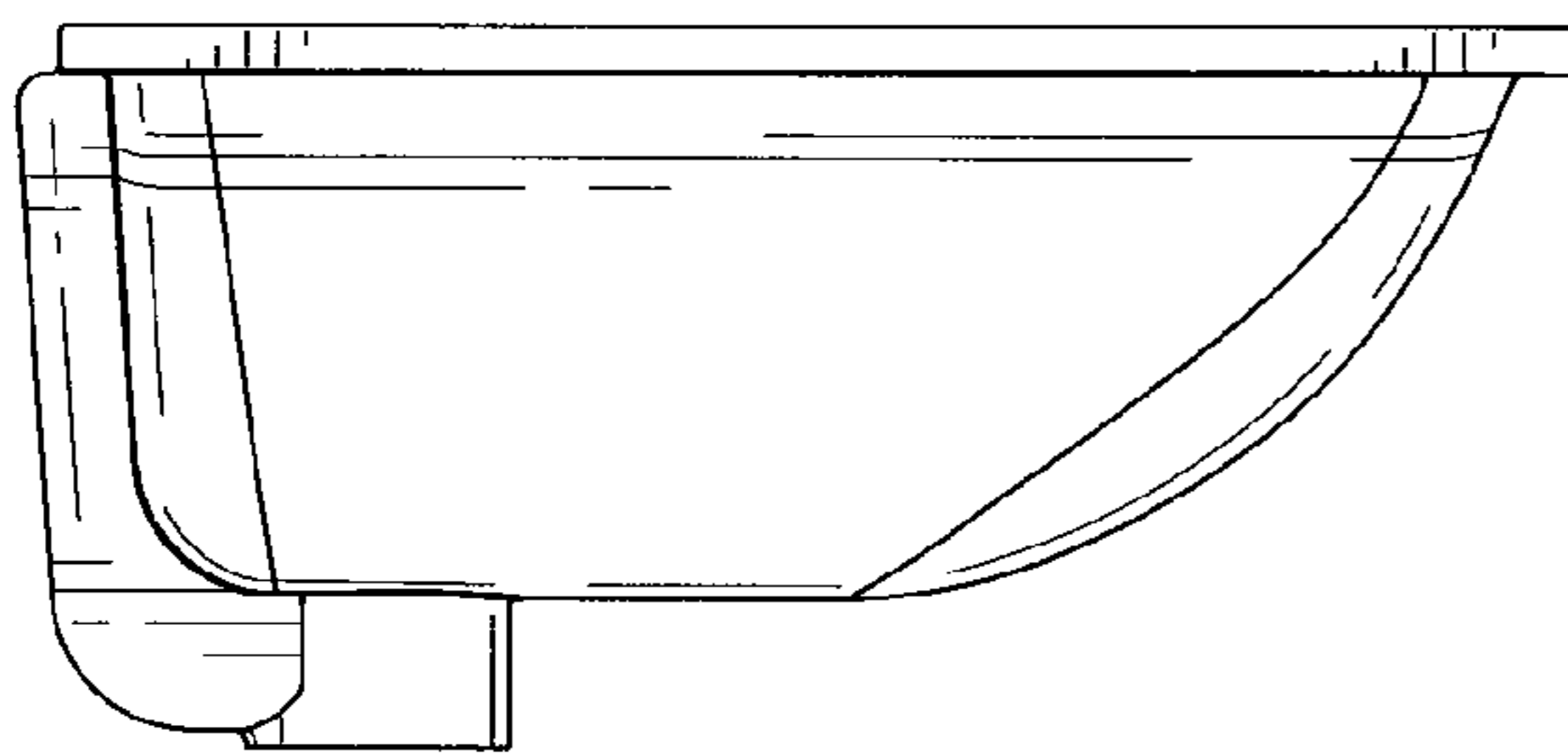


Fig-4

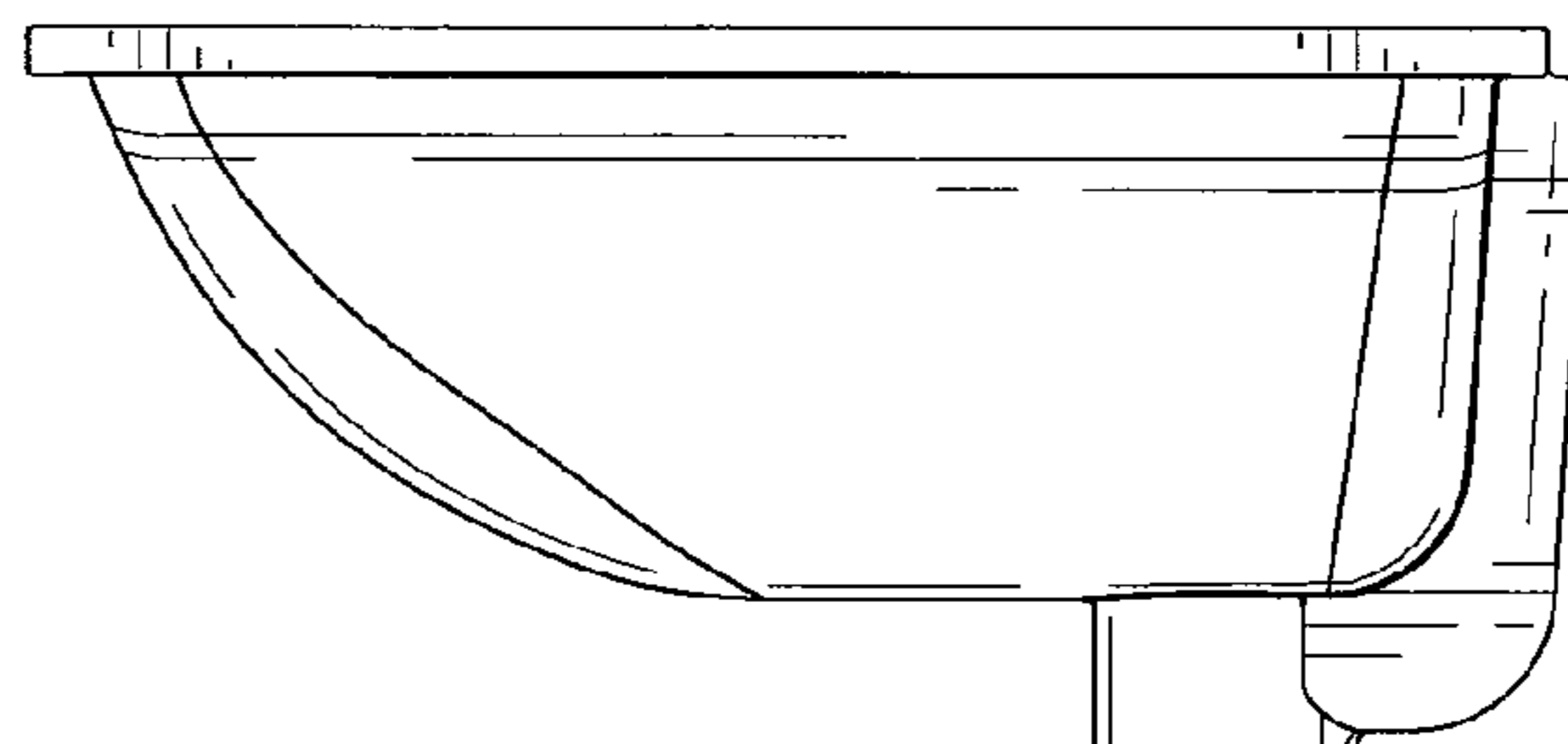


Fig-5

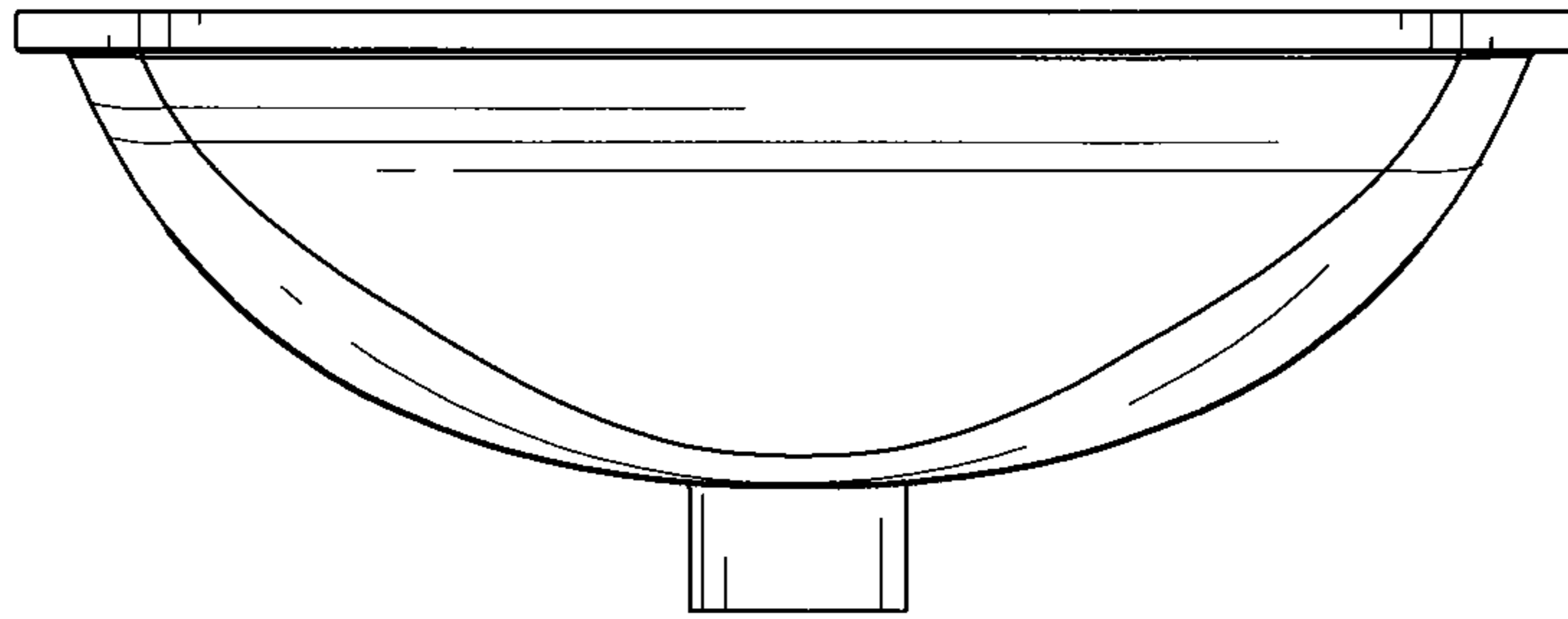


Fig-6

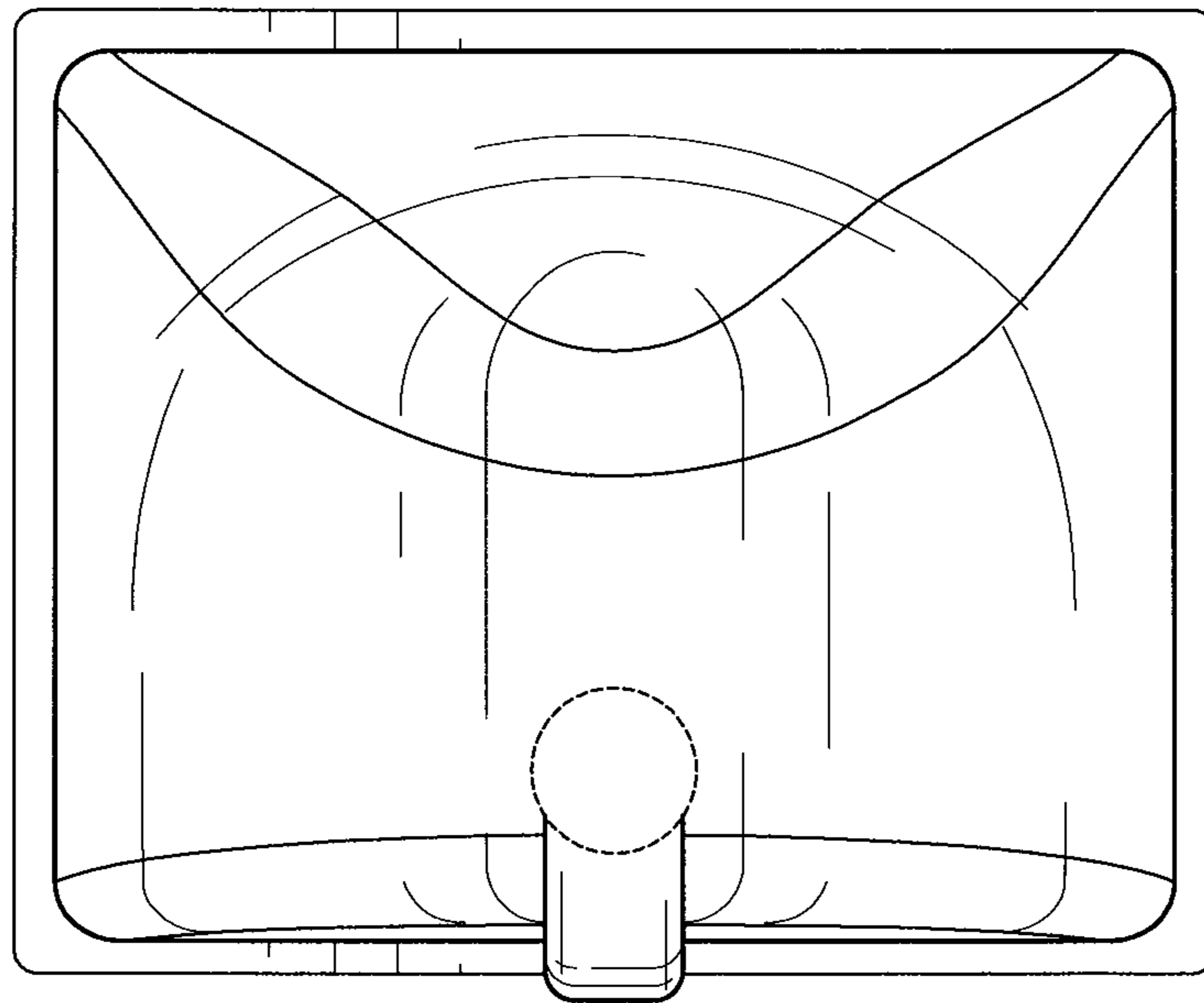


Fig-7