



US00D710977S

(12) **United States Design Patent**  
**Chen**

(10) **Patent No.:** **US D710,977 S**

(45) **Date of Patent:** **\*\* Aug. 12, 2014**

(54) **CONNECTING RING FOR WATER SPRAYING HEAD**

D681,176 S \* 4/2013 Chacko ..... D23/269  
D696,751 S \* 12/2013 Beagen, Jr. .... D23/269  
D699,822 S \* 2/2014 Beaudoin ..... D23/267

(75) Inventor: **Kun-Chih Chen**, Changhua (TW)

\* cited by examiner

(73) Assignee: **Sunrise Shower Products Co. Ltd.**,  
Changhua (TW)

*Primary Examiner* — Eric Goodman

*Assistant Examiner* — John Reickel

(\*\*) Term: **14 Years**

(74) *Attorney, Agent, or Firm* — Che-Yang Chen; Law Office of Michael Chen

(21) Appl. No.: **29/432,139**

(57) **CLAIM**

The ornamental design for a connecting ring for water spraying head, as shown and described.

(22) Filed: **Sep. 13, 2012**

(51) **LOC (10) Cl.** ..... **23-01**

(52) **U.S. Cl.**

USPC ..... **D23/259**

(58) **Field of Classification Search**

CPC ..... F16L 23/00; F16L 27/00

USPC ..... D23/259-269; D8/382, 387; D13/155;  
D24/129; 285/58, 83, 341

See application file for complete search history.

**DESCRIPTION**

FIG. 1 is a perspective view of a connecting ring for water spraying head showing my new design;  
FIG. 2 is a front elevational view thereof;  
FIG. 3 is a rear elevational view thereof;  
FIG. 4 is a left side elevational view thereof;  
FIG. 5 is a right side elevational view thereof;  
FIG. 6 is a top plan view thereof;  
FIG. 7 is a bottom plan view thereof;  
FIG. 8 is a perspective schematic view illustrating an application of a connecting ring for water spraying head showing my design;

FIG. 9 is another perspective schematic view illustrating another application of a connecting ring for water spraying head showing my design; and,

FIG. 10 is another perspective schematic view illustrating a different application of a connecting ring for water spraying head showing my design.

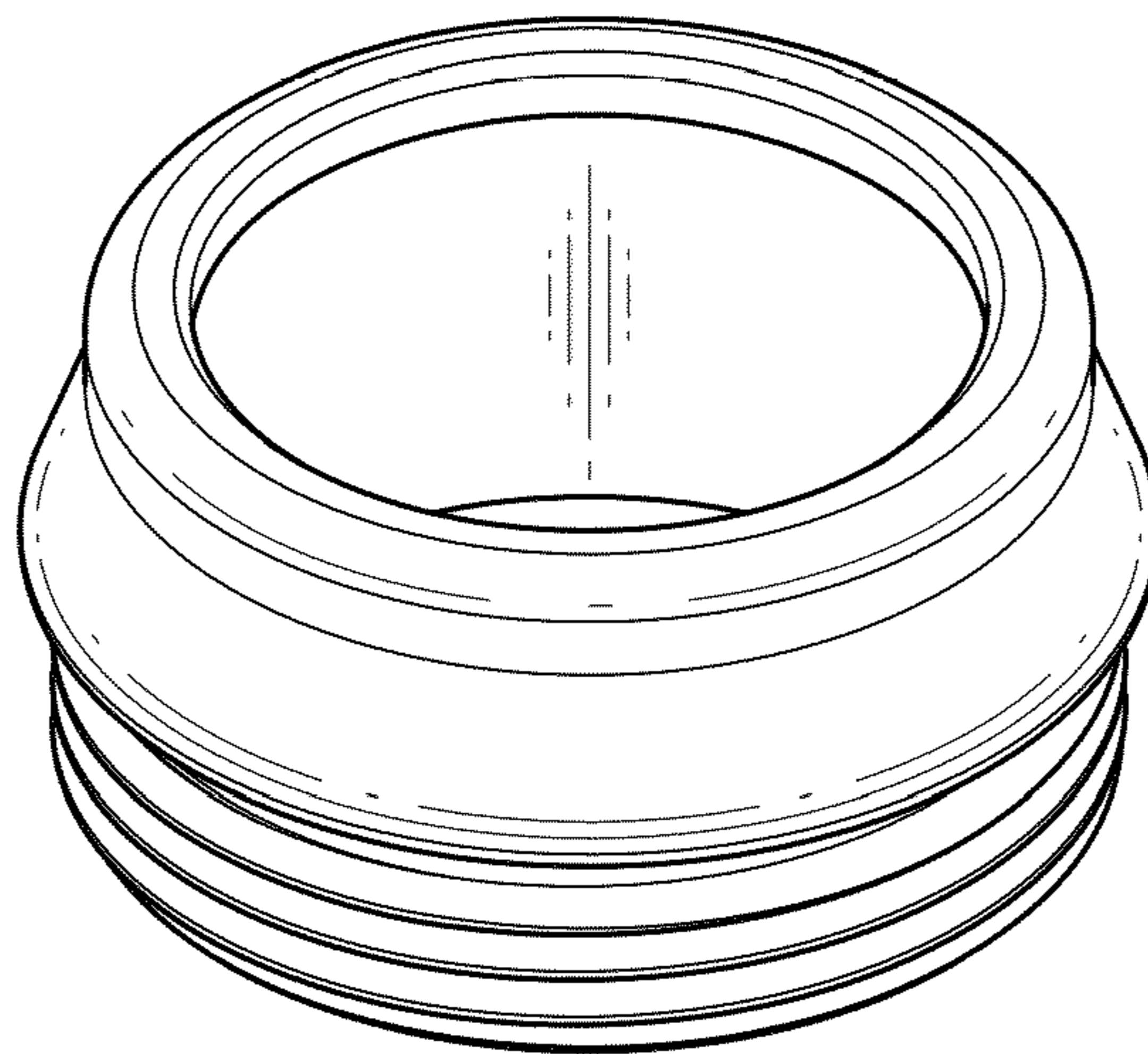
The broken line is included for the purpose of illustrating environmental structure and forms no part of the claimed design.

(56) **References Cited**

**U.S. PATENT DOCUMENTS**

D194,015	S	*	11/1962	Stringham	.....	D23/262
3,107,108	A	*	10/1963	Greene	.....	285/341
3,215,457	A	*	11/1965	Teeters	.....	285/341
D446,298	S	*	8/2001	Thurman	.....	D23/393
D557,387	S	*	12/2007	Darce	.....	D23/269
D557,771	S	*	12/2007	Darce	.....	D23/269
D599,894	S	*	9/2009	Price et al.	.....	D23/262
D648,427	S	*	11/2011	Bowman et al.	.....	D23/269
D648,836	S	*	11/2011	Drenth	.....	D23/269
D650,053	S	*	12/2011	Douglass, III	.....	D23/269
D651,291	S	*	12/2011	Liebson et al.	.....	D23/262
D658,268	S	*	4/2012	Bonzer	.....	D23/213
D660,960	S	*	5/2012	Gronberg	.....	D24/129
D677,766	S	*	3/2013	Chen	.....	D23/262

**1 Claim, 7 Drawing Sheets**



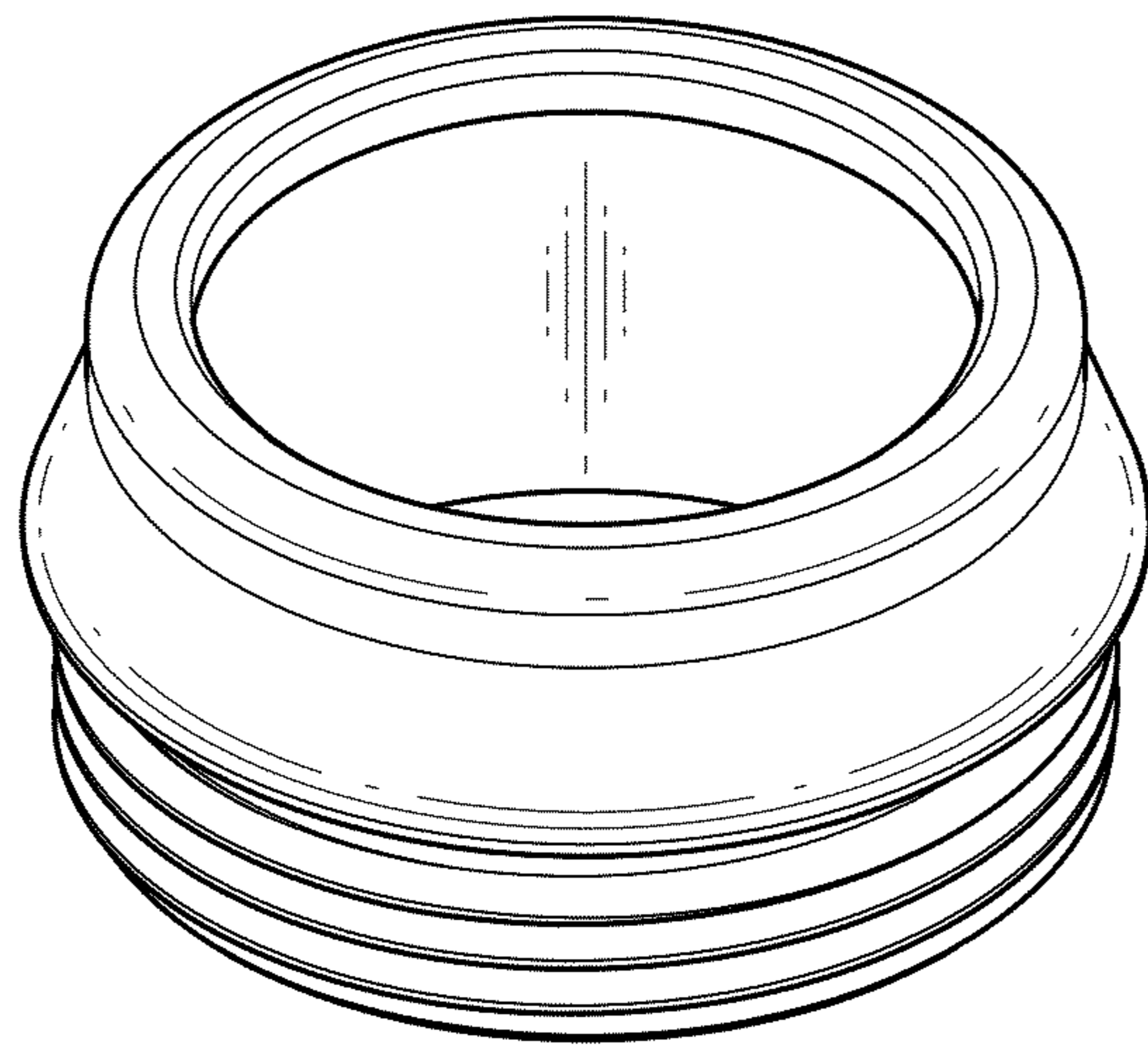


FIG. 1

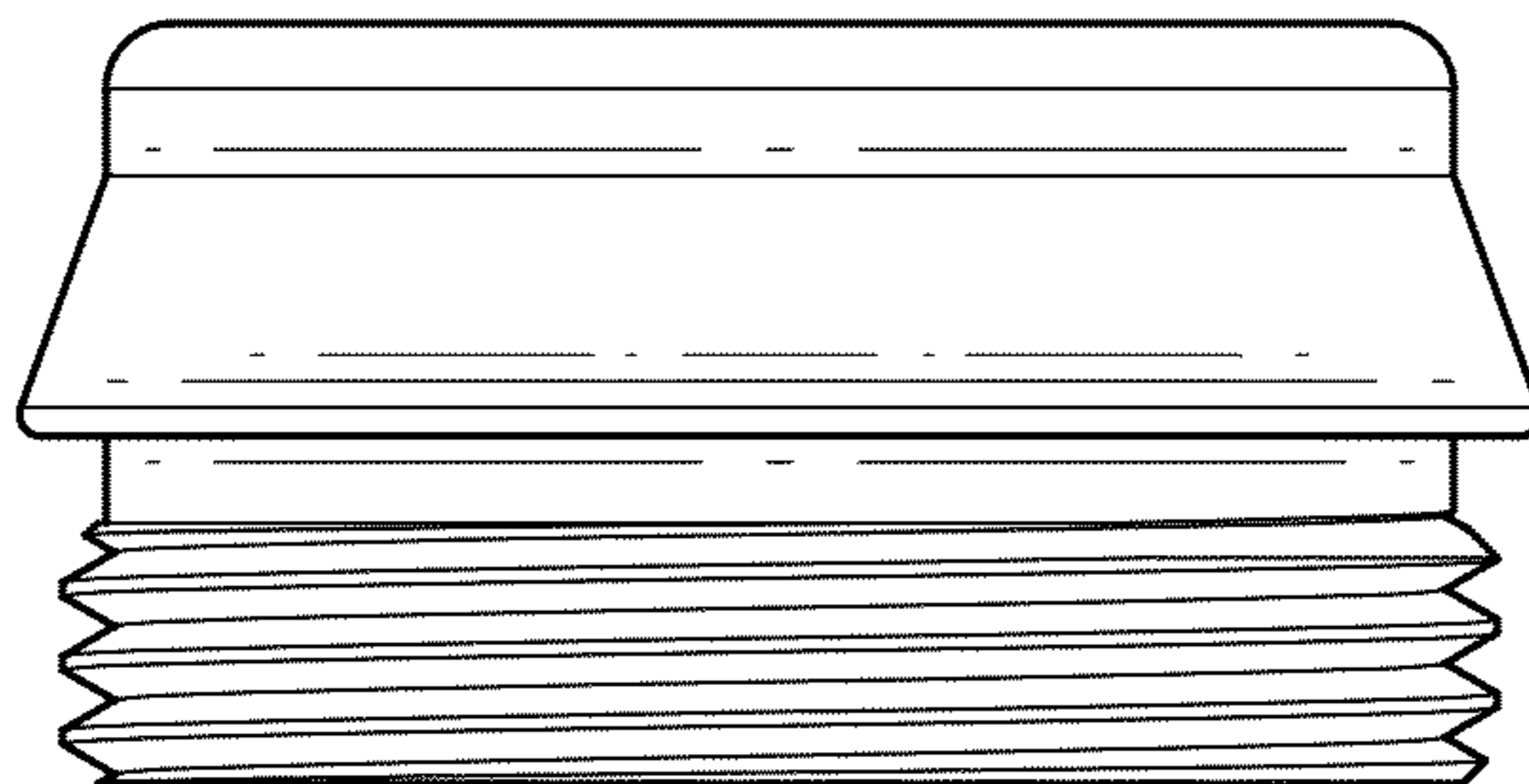


FIG. 2

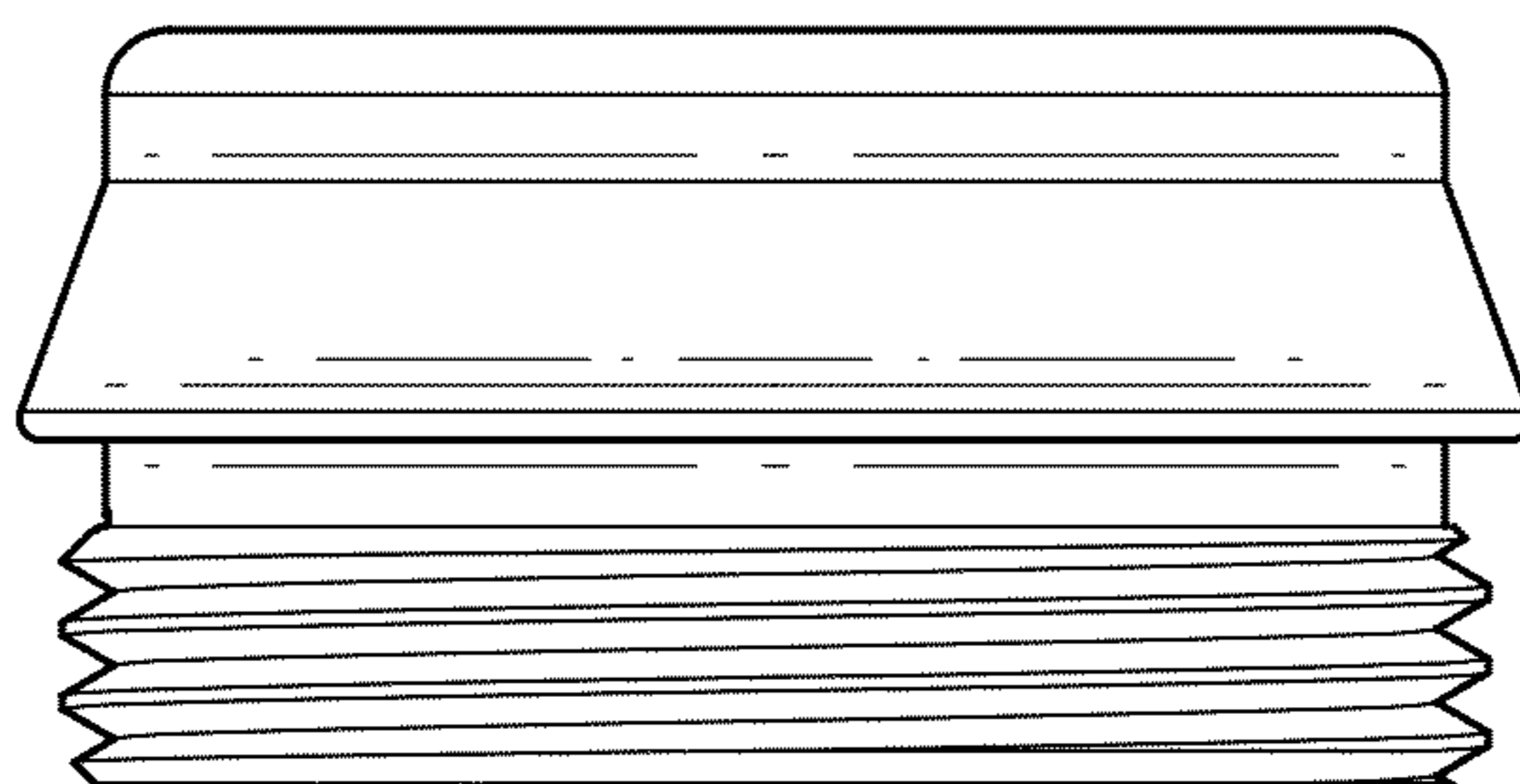


FIG. 3

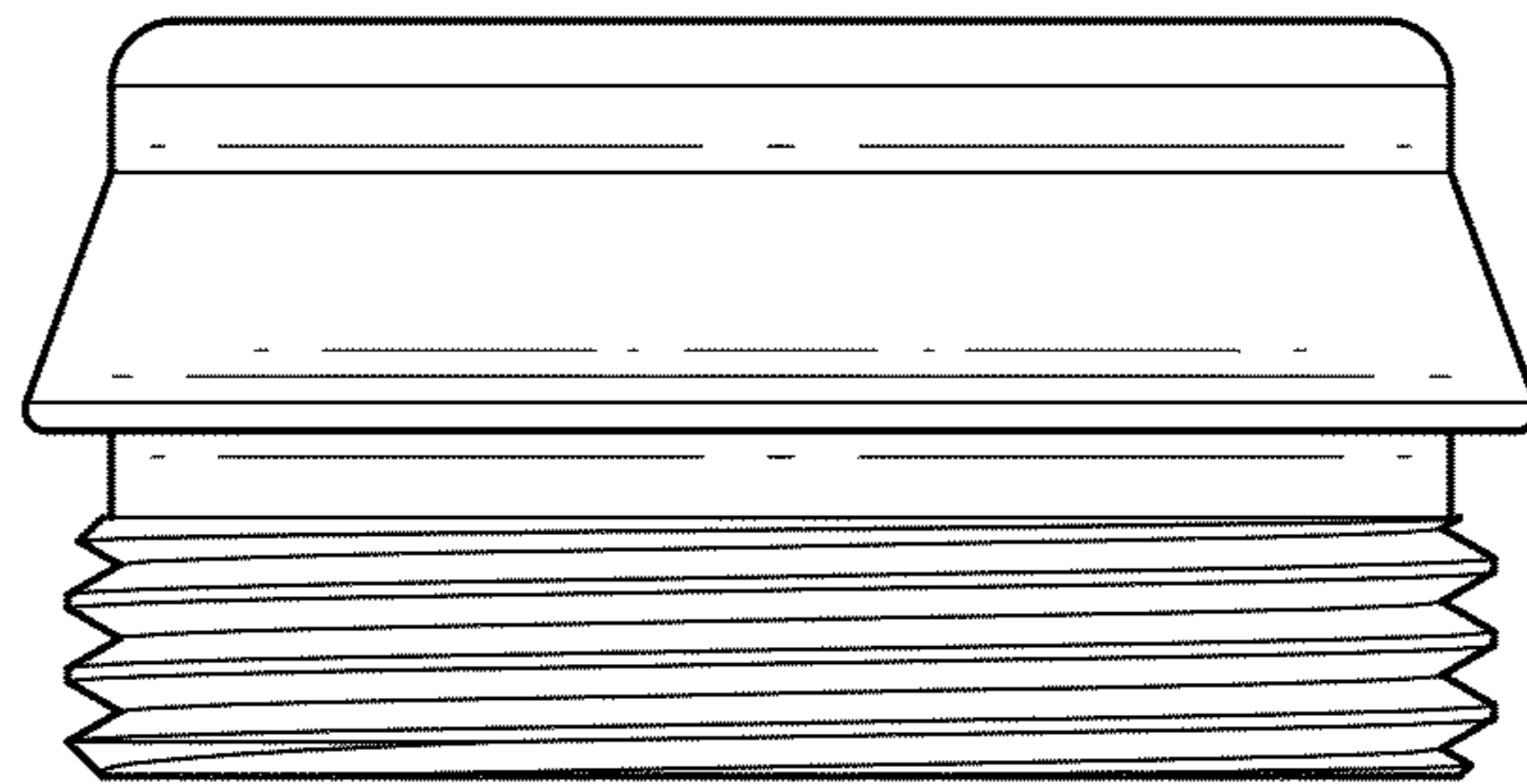


FIG. 4

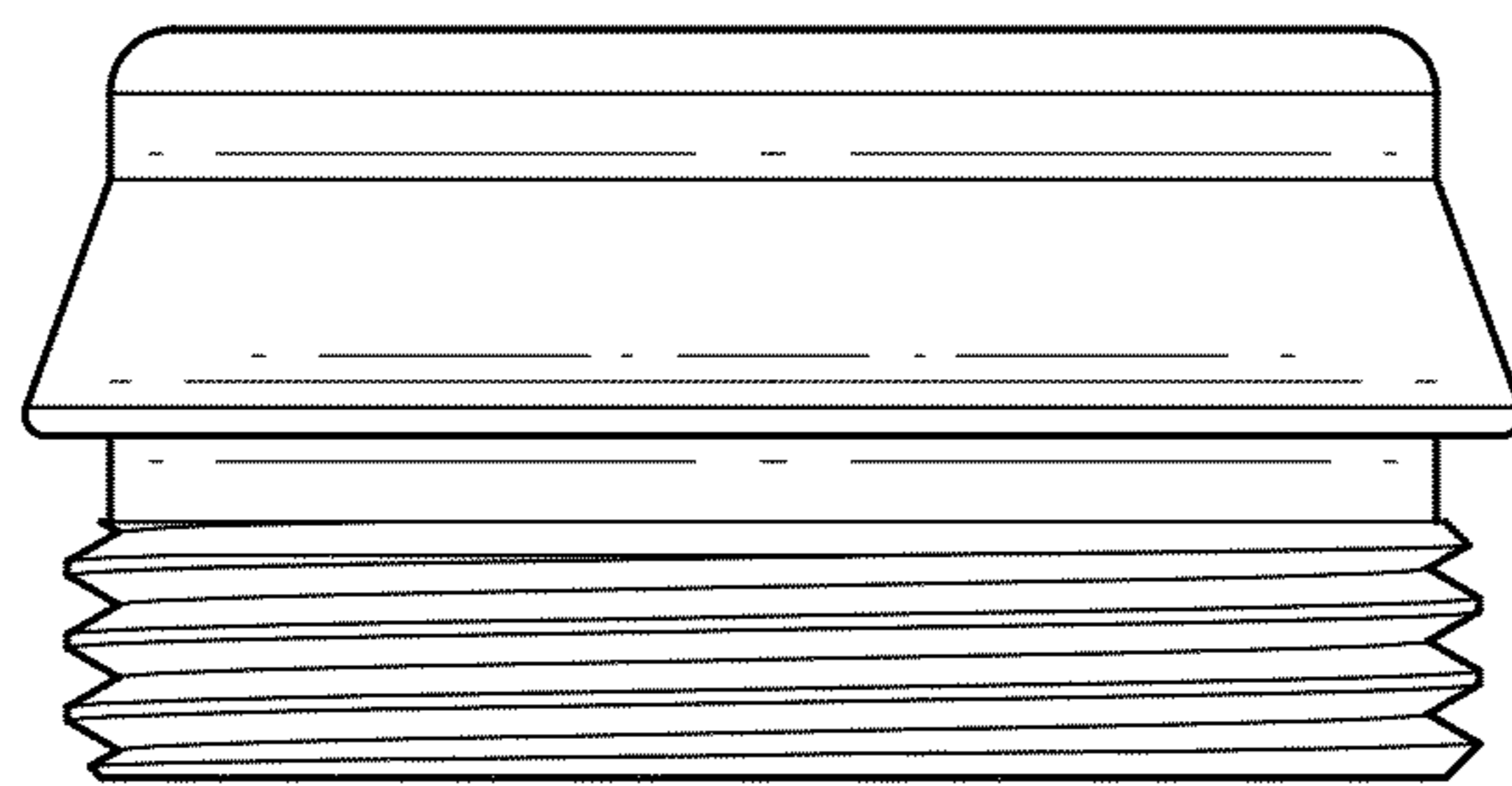


FIG. 5

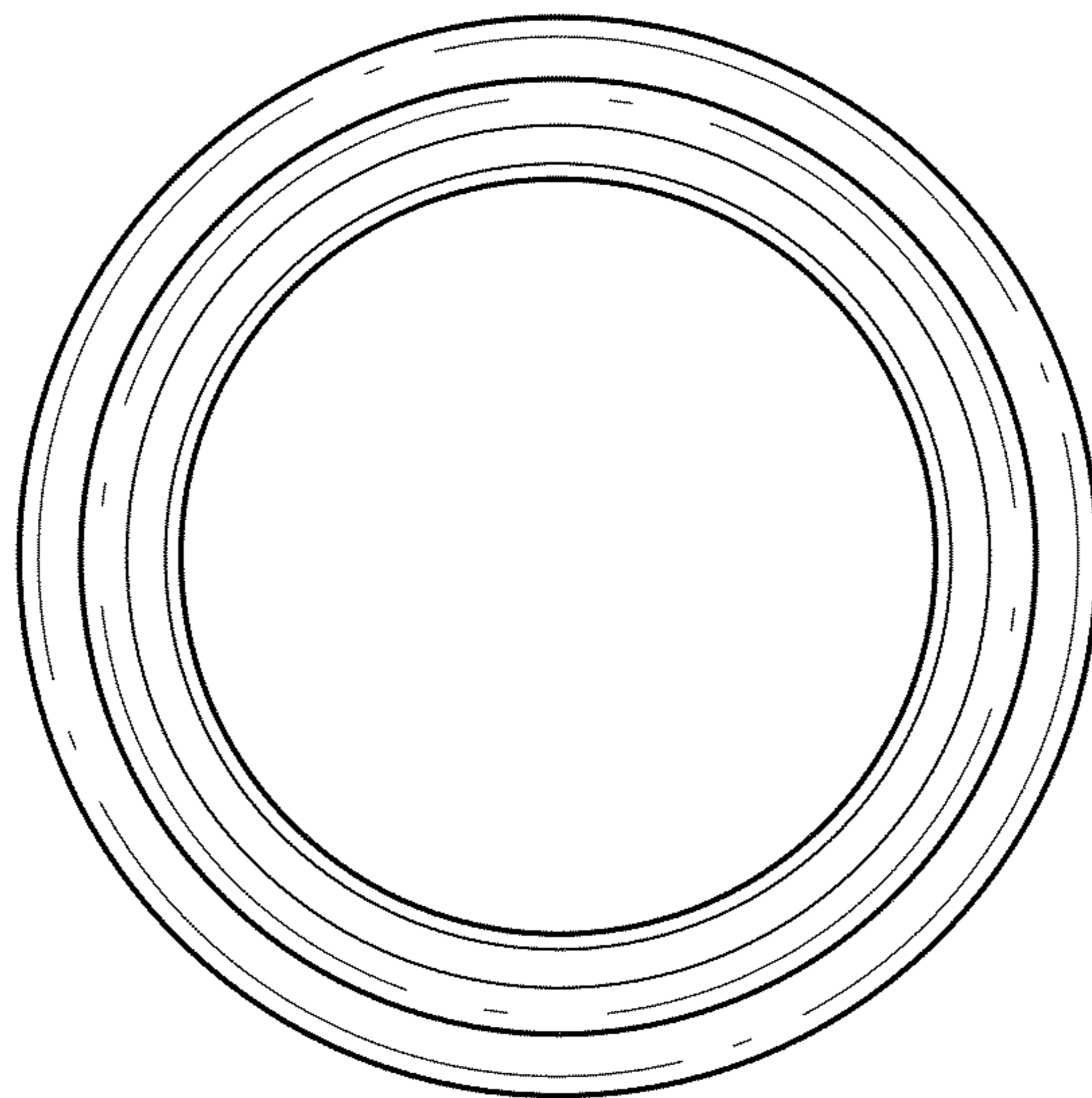


FIG. 6

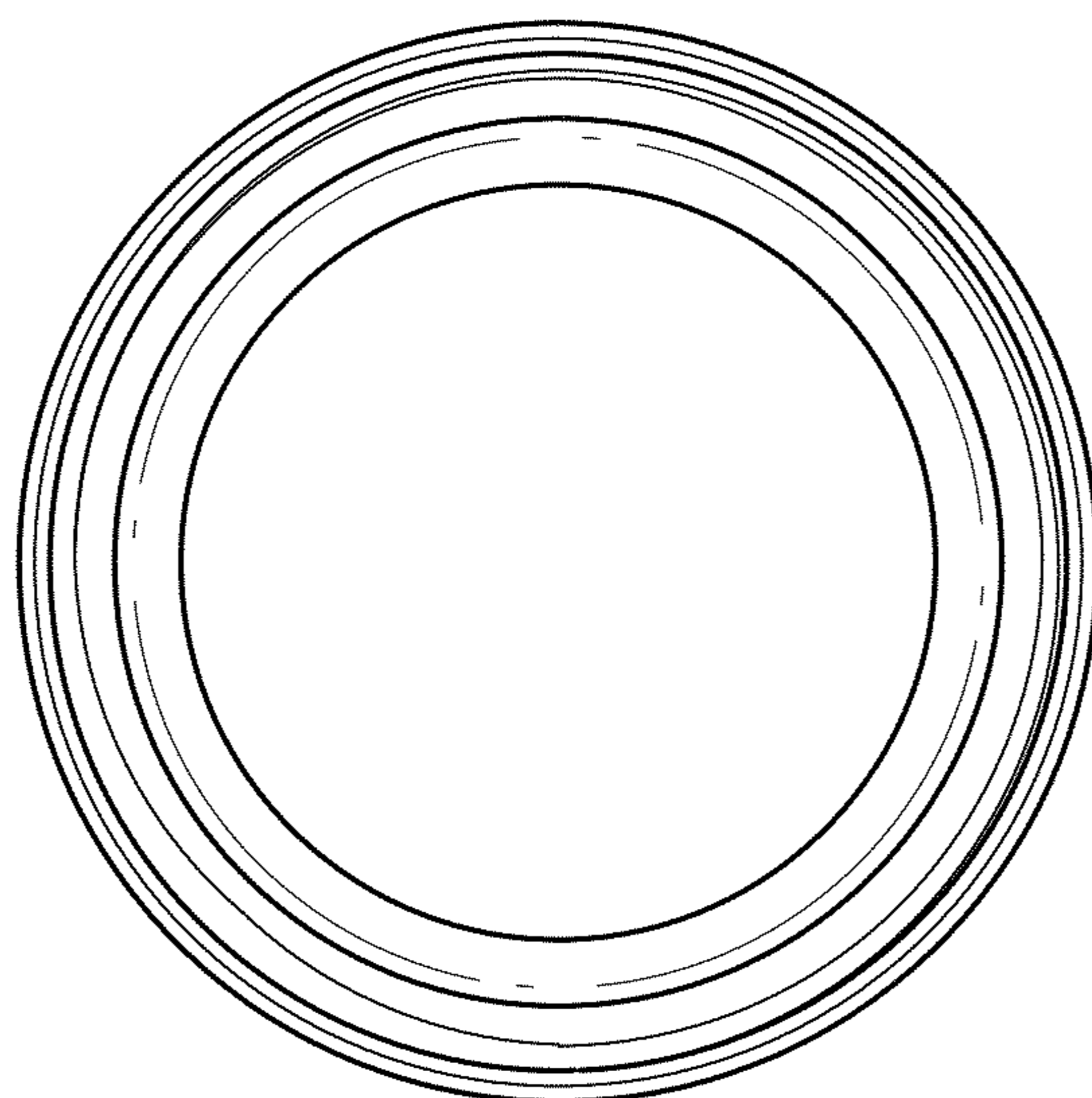


FIG. 7

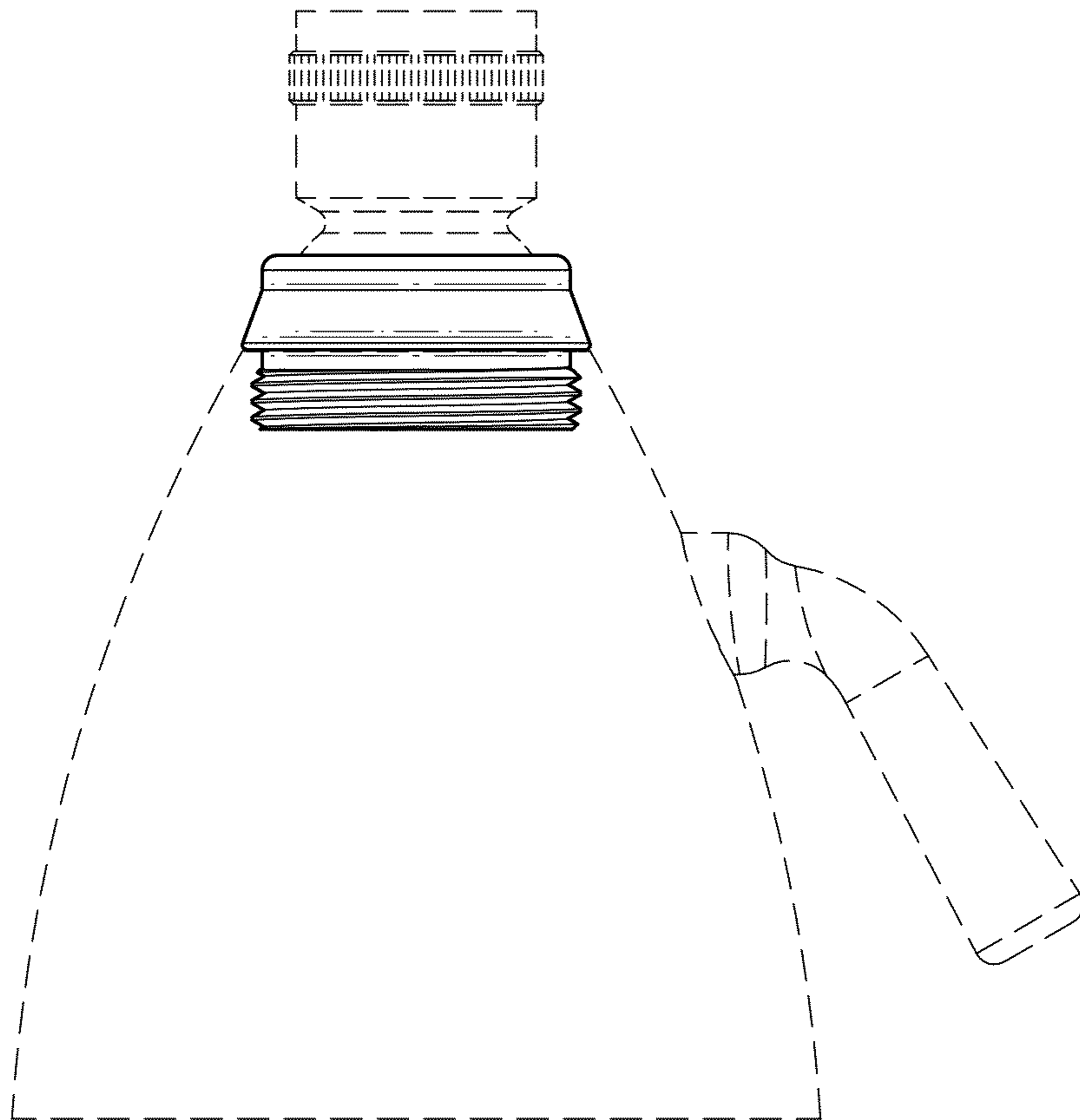


FIG. 8



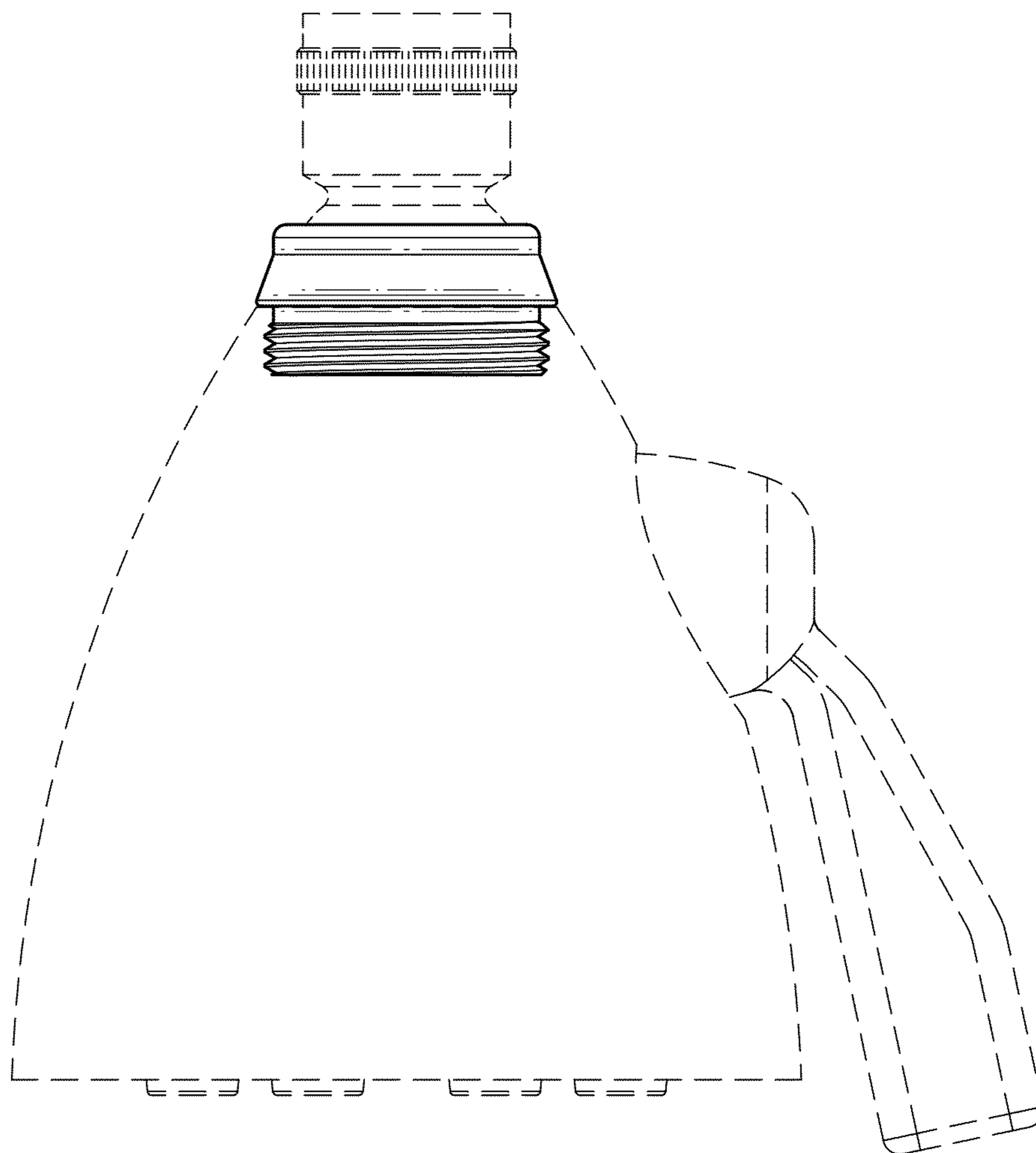


FIG. 9

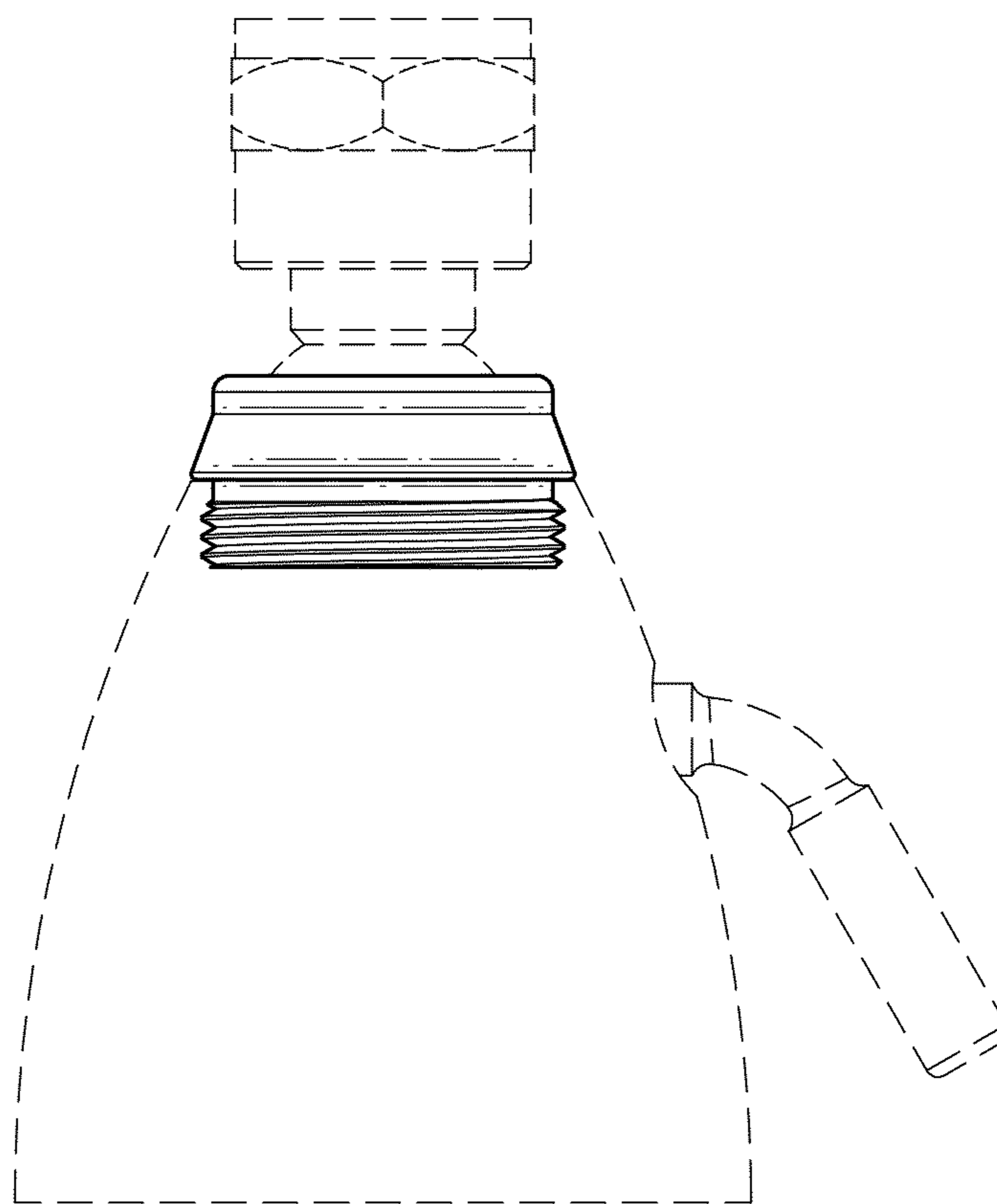


FIG. 10