



US00D710974S

(12) **United States Design Patent**
Birke et al.

(10) **Patent No.:** **US D710,974 S**

(45) **Date of Patent:** **** Aug. 12, 2014**

(54) **VALVE SYSTEM**

(71) Applicant: **Bosch Rexroth AG**, Lohr am Main (DE)

(72) Inventors: **Benno Birke**, Chemnitz (DE);
Wolf-Dietrich Gerecke,
Markgroeningen (DE); **Heinz Theo**
Paulus, Xanten (DE); **Ludovic Marais**,
Ayze (FR)

(73) Assignee: **Rexroth Pneumatics GmbH**, Laatzen
(DE)

(**) Term: **14 Years**

(21) Appl. No.: **29/435,164**

(22) Filed: **Oct. 19, 2012**

(30) **Foreign Application Priority Data**

Apr. 20, 2012 (EM) 002030254

(51) **LOC (10) Cl.** **23-01**

(52) **U.S. Cl.**
USPC **D23/233**

(58) **Field of Classification Search**
USPC D23/233-237, 244-249; D15/5, 7, 199;
137/554, 557, 560, 882, 884, 269, 271,
137/343, 625.64; 251/12, 129.04, 130, 219,
251/331, 596.16, 597.13, 30.01; 4/304

See application file for complete search history.

(56) **References Cited**

U.S. PATENT DOCUMENTS

D410,521	S	*	6/1999	Hayashi et al.	D23/233
D415,256	S	*	10/1999	Hayashi et al.	D23/233
D416,309	S	*	11/1999	Hayashi et al.	D23/233
D417,717	S	*	12/1999	Hayashi et al.	D23/233
D420,100	S	*	2/2000	Sato et al.	D23/233
D597,174	S	*	7/2009	Miyazoe	D23/233
D616,964	S	*	6/2010	Miyazoe et al.	D23/233
D623,269	S	*	9/2010	Fukano et al.	D23/233
8,127,783	B2	*	3/2012	Balarabe et al.	137/12
D665,874	S	*	8/2012	Senba	D23/233
8,528,581	B2	*	9/2013	Smith et al.	137/1
D693,903	S	*	11/2013	Tamura et al.	D23/233
2007/0278436	A1	*	12/2007	Phillips et al.	251/129.03
2009/0212247	A1	*	8/2009	Inaba et al.	251/129.15
2010/0148101	A1	*	6/2010	Narita et al.	251/129.01
2012/0025116	A1	*	2/2012	Murakami et al.	251/129.01

* cited by examiner

Primary Examiner — Cynthia Ramirez

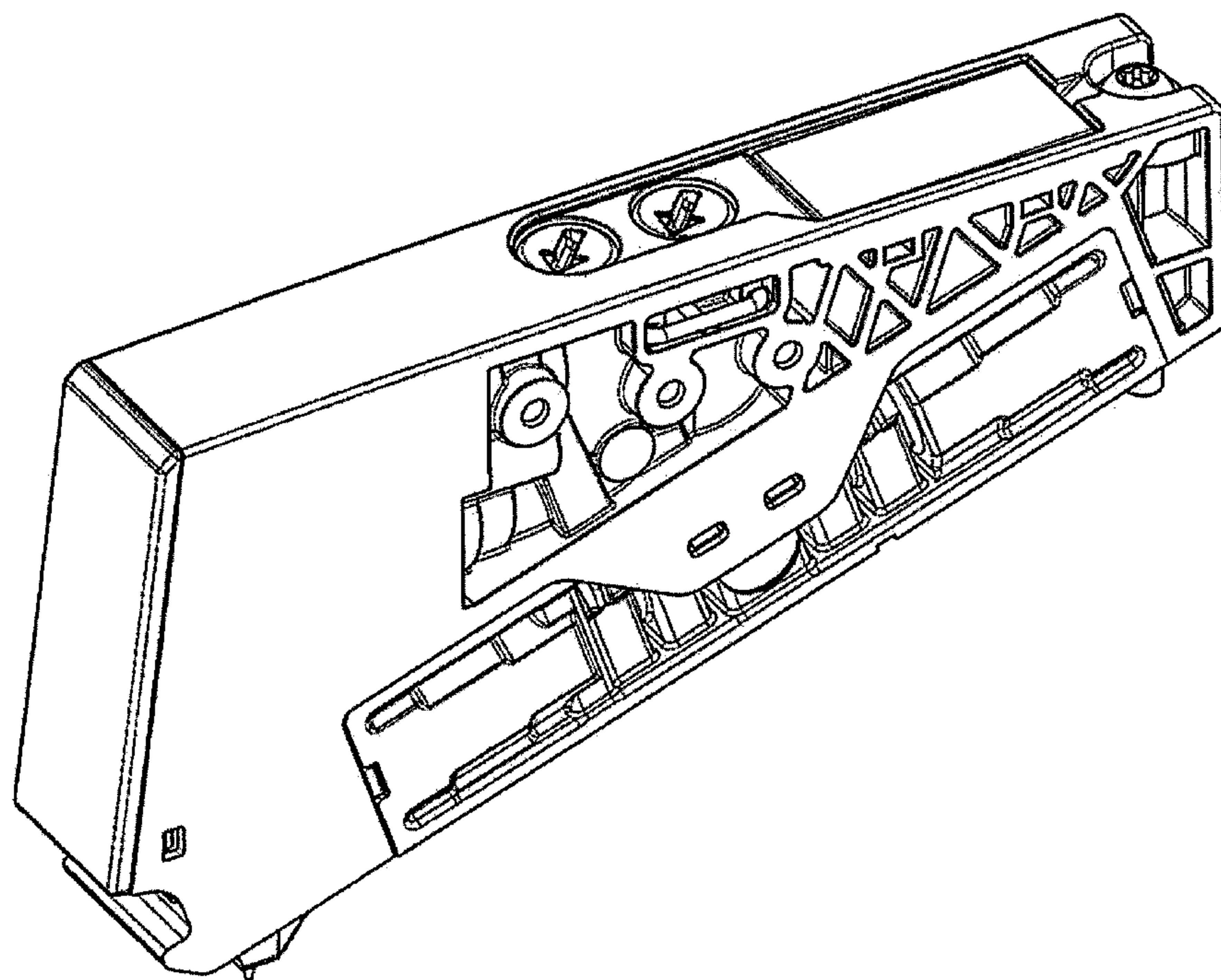
(57) **CLAIM**

The ornamental design for a valve system, as shown and described.

DESCRIPTION

FIG. 1 is a perspective view of a valve system as showing our new design;
FIG. 2 is a right side elevational view thereof;
FIG. 3 is a left side elevational view thereof;
FIG. 4 is a front elevational view thereof;
FIG. 5 is a bottom plan view thereof; and,
FIG. 6 is a perspective view in an alternate configuration.

1 Claim, 6 Drawing Sheets



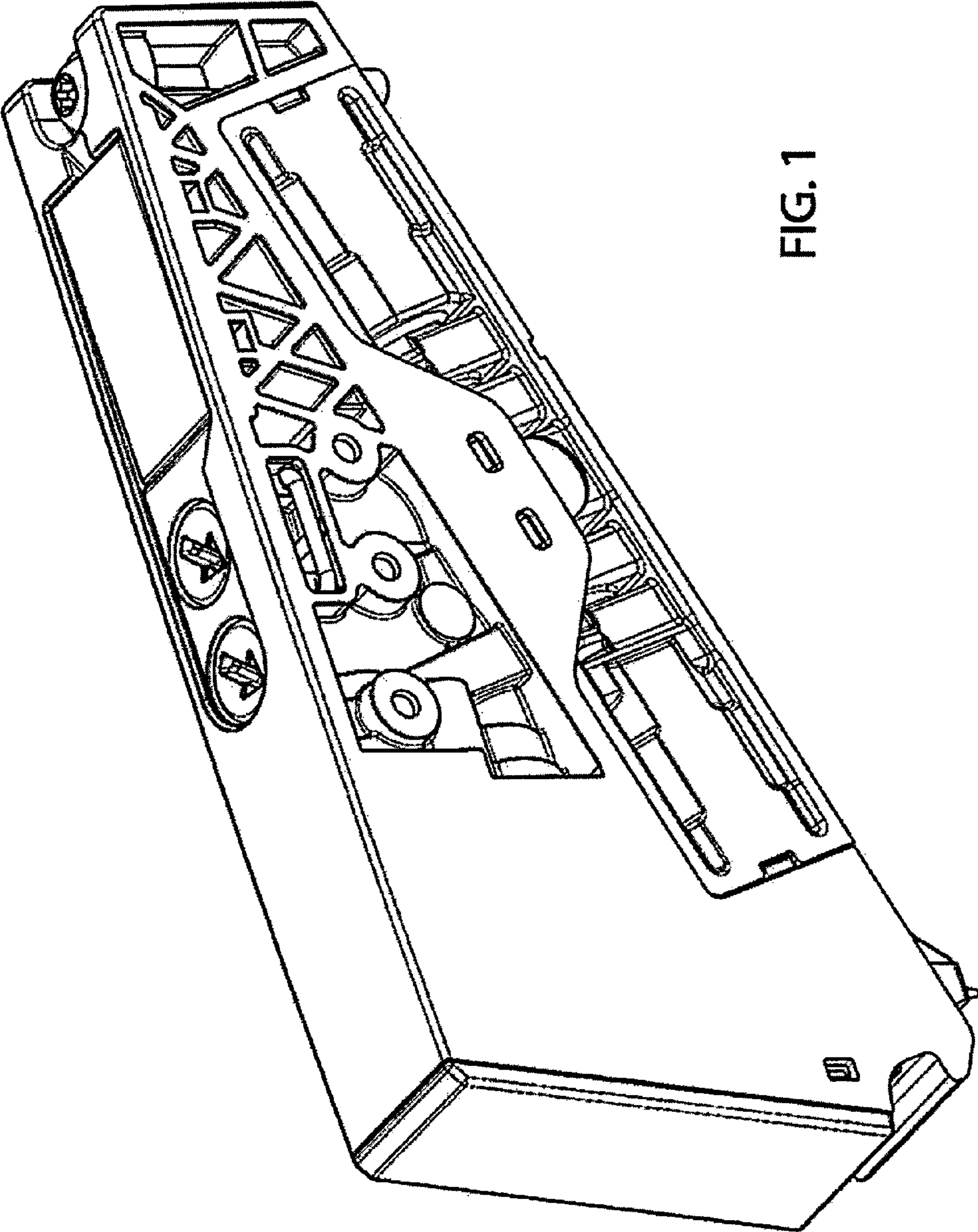


FIG. 1

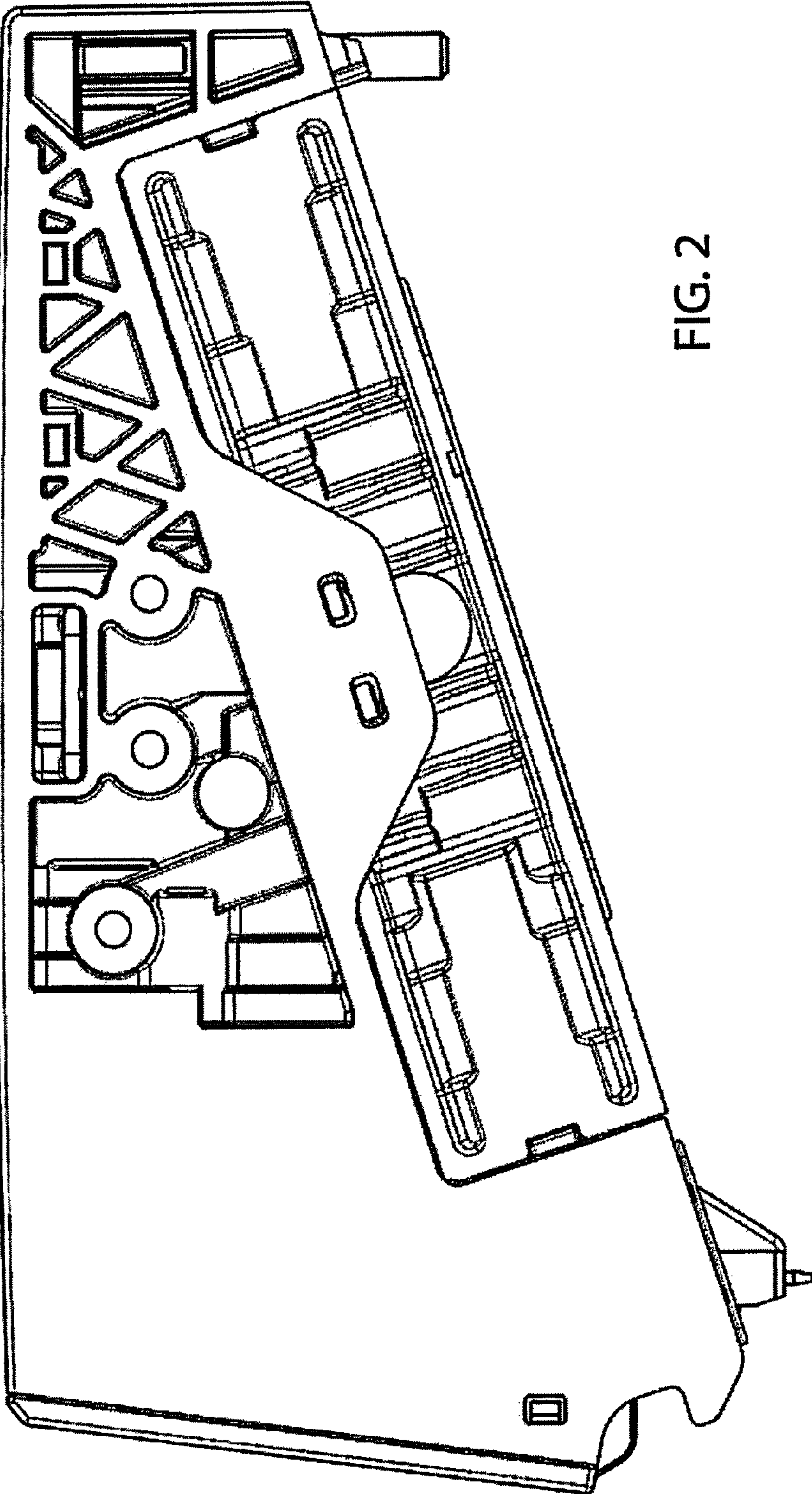


FIG. 2

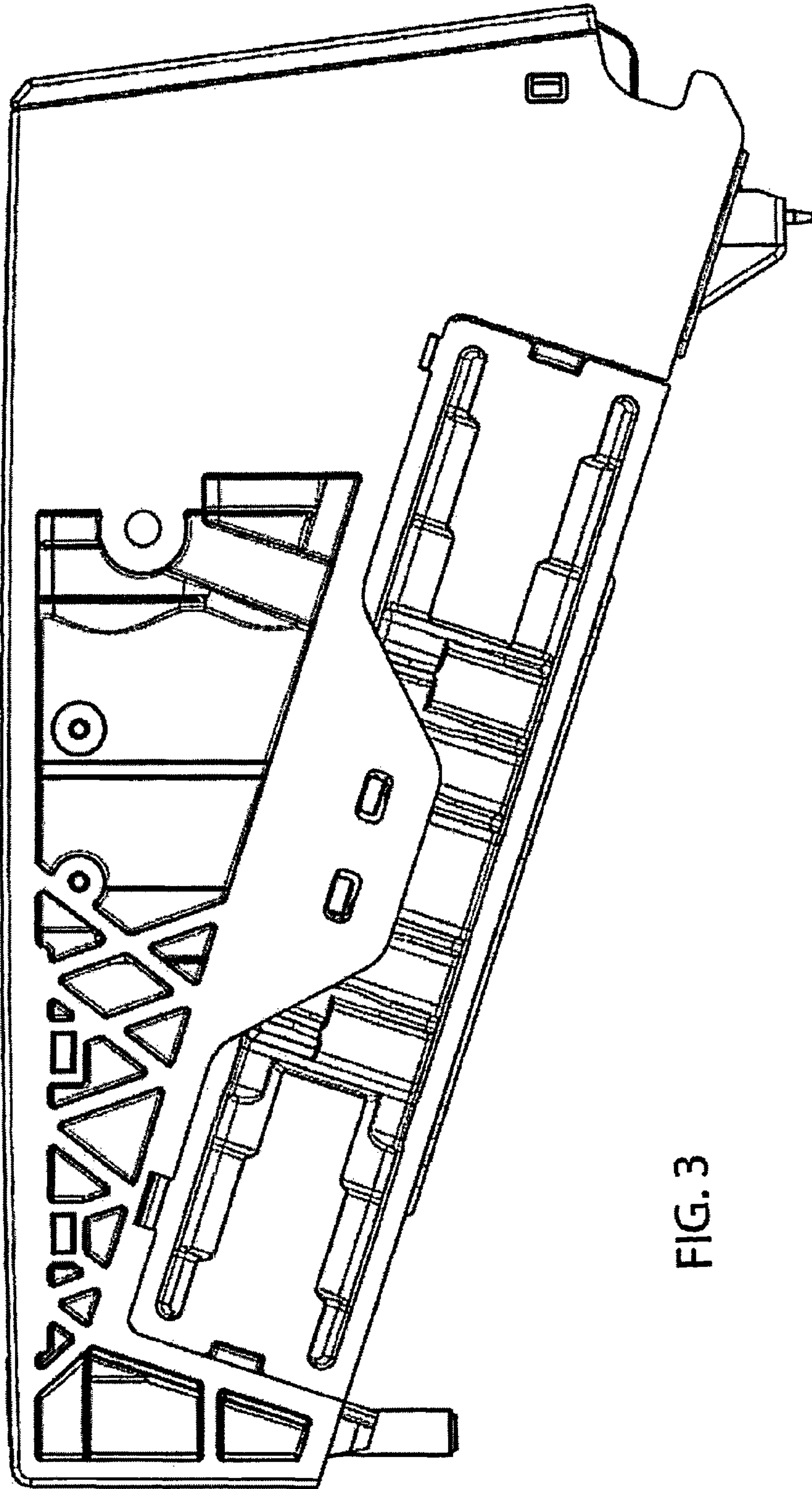


FIG. 3

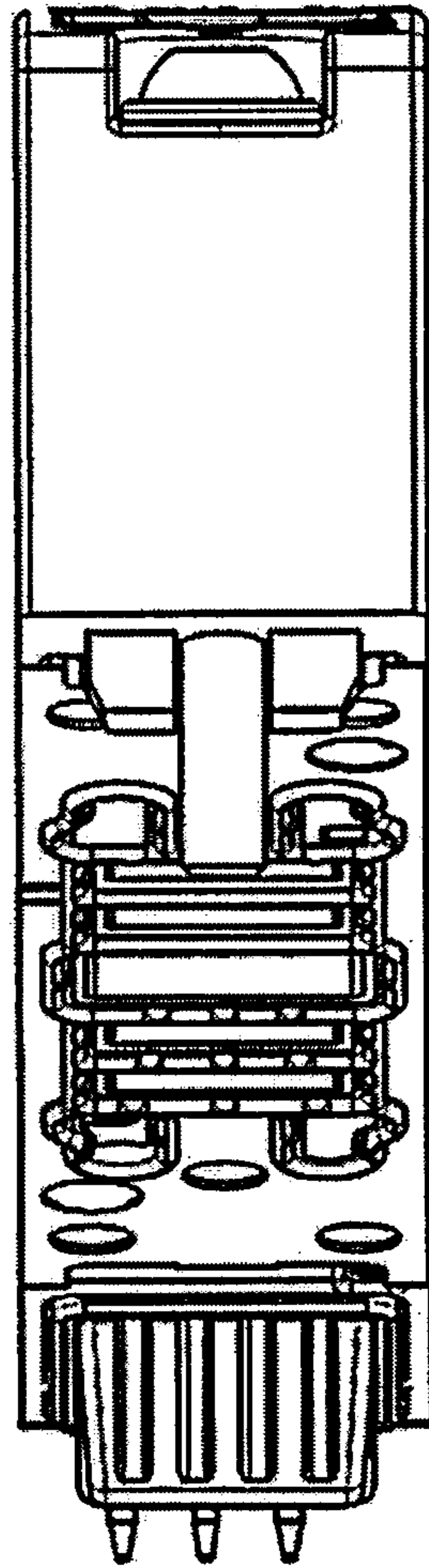


FIG. 4

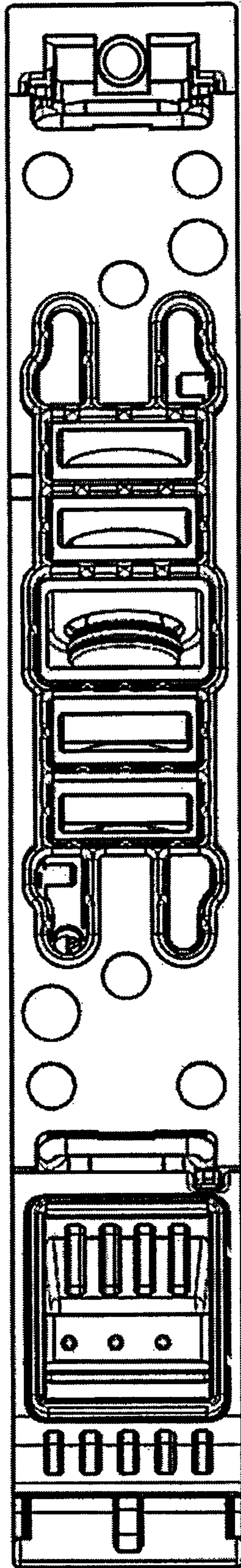


FIG. 5

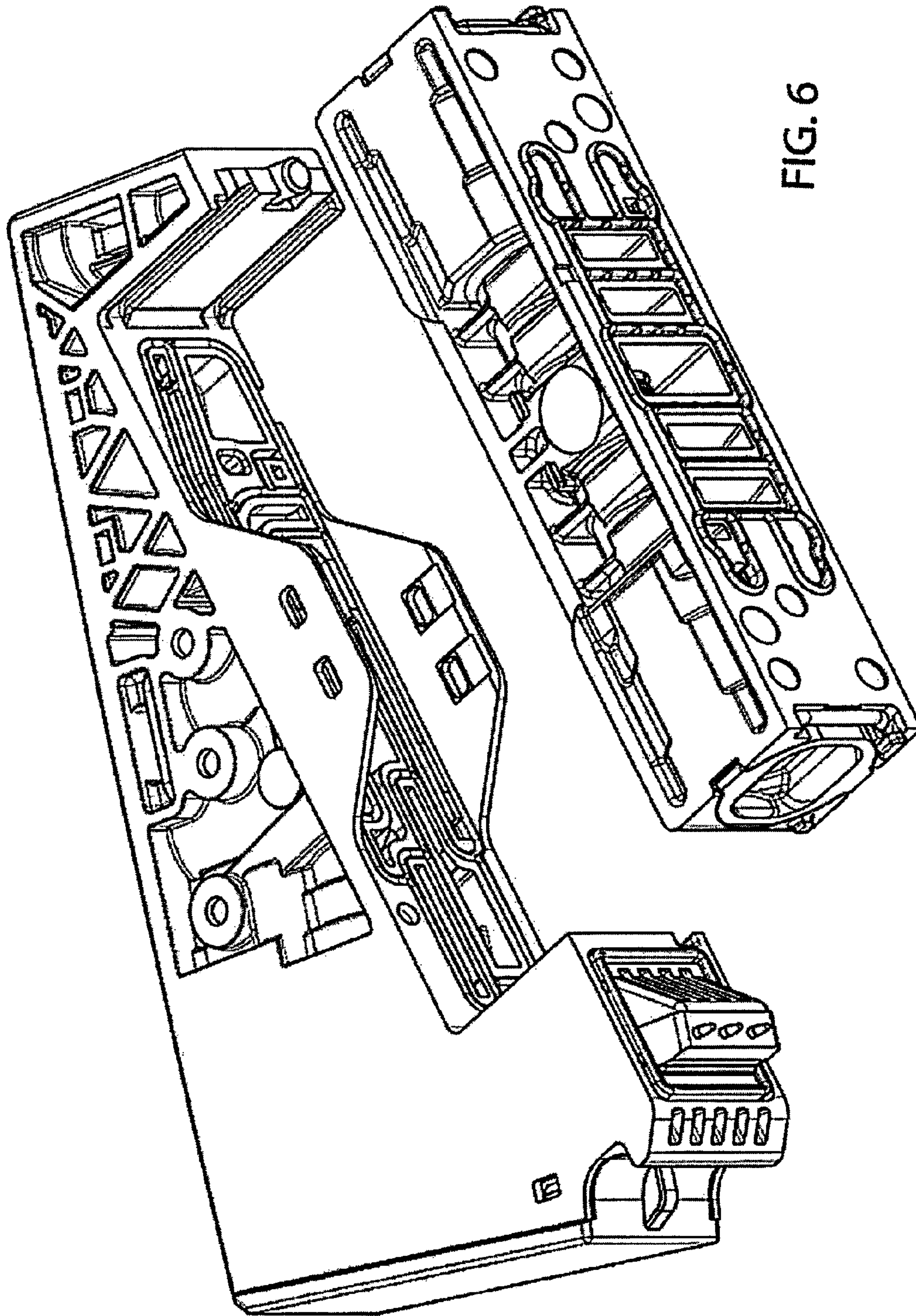


FIG. 6