



US00D710972S

(12) **United States Design Patent**
Quinn

(10) **Patent No.:** **US D710,972 S**
(45) **Date of Patent:** **** Aug. 12, 2014**

(54) **SHOWER ARM**

- (71) Applicant: **Water Pik, Inc.**, Fort Collins, CO (US)
- (72) Inventor: **Michael J. Quinn**, Windsor, CO (US)
- (73) Assignee: **Water Pik, Inc.**, Fort Collins, CO (US)
- (**) Term: **14 Years**

- (21) Appl. No.: **29/455,416**
- (22) Filed: **May 20, 2013**
- (51) **LOC (10) Cl.** **23-01**
- (52) **U.S. Cl.**
USPC **D23/213; D23/303**
- (58) **Field of Classification Search**
USPC D23/213, 223, 228, 3; 4/567, 601, 605,
4/615, 612, 661; 239/444, 282, 283,
239/587.1, 587.5, 588; D6/549
See application file for complete search history.

(56) **References Cited**

U.S. PATENT DOCUMENTS

D431,072	S	*	9/2000	Milrud et al.	D23/255
6,276,004	B1	*	8/2001	Bertrand et al.	4/615
6,464,265	B1	*	10/2002	Mikol	285/333
7,097,122	B1	*	8/2006	Farley	239/553
D618,766	S	*	6/2010	Whitaker et al.	D23/255
D627,866	S	*	11/2010	Hanna	D23/303
D647,603	S	*	10/2011	Andrew	D23/255

OTHER PUBLICATIONS

U.S. Appl. No. 29/455,417, filed May 20, 2013, Water Pik, Inc.
U.S. Appl. No. 29/455,418, filed May 20, 2013, Water Pik, Inc.

* cited by examiner

Primary Examiner — Robin V Webster

(74) *Attorney, Agent, or Firm* — Dorsey & Whitney LLP

(57) **CLAIM**

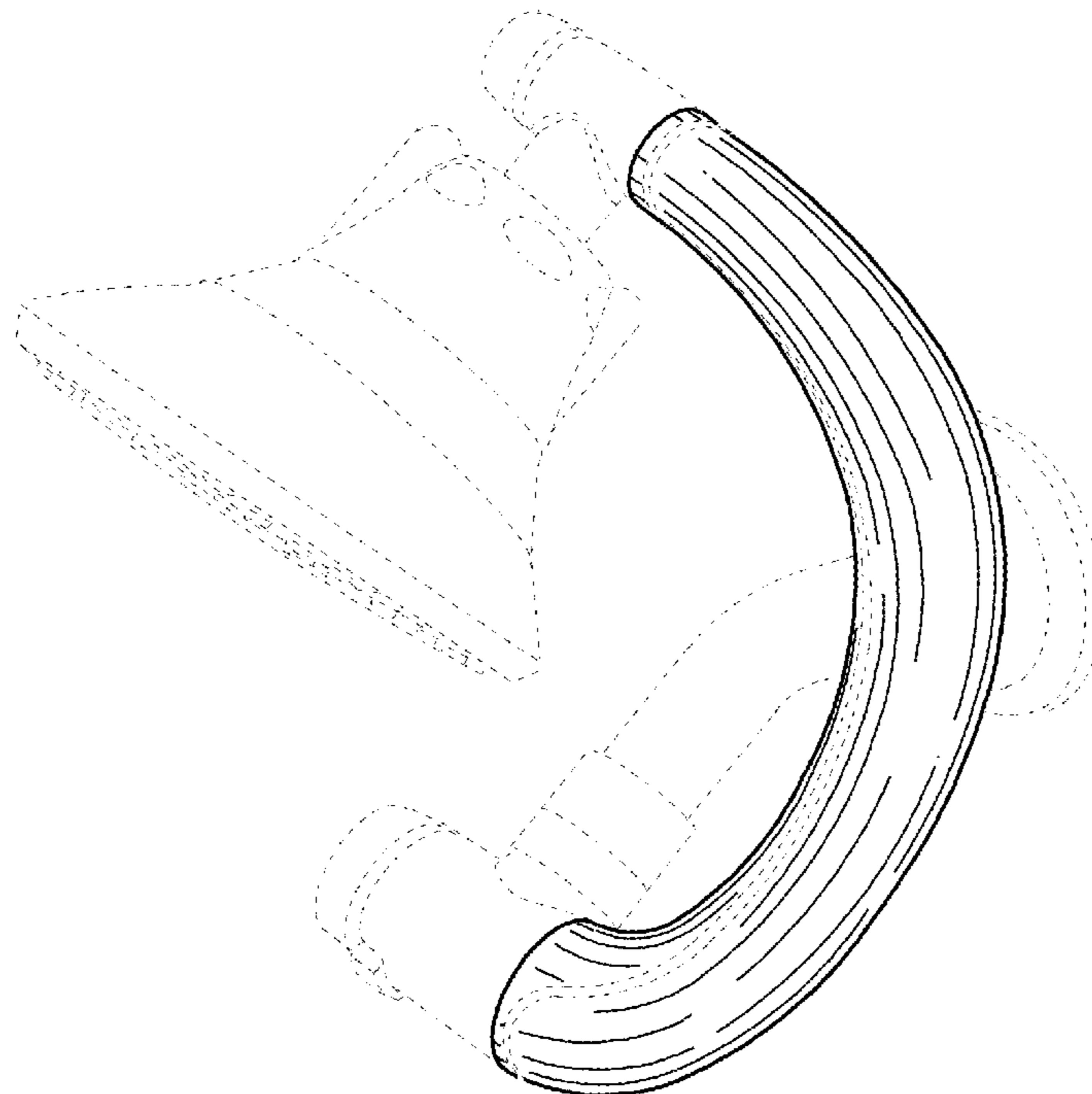
I claim the ornamental design for a shower arm, as shown and described.

DESCRIPTION

FIG. 1 is a front isometric view of a shower arm;
FIG. 2 is a rear isometric view of the shower arm of FIG. 1;
FIG. 3 is a front elevation view of the shower arm of FIG. 1;
FIG. 4 is a rear elevation view of the shower arm of FIG. 1;
FIG. 5 is a top plan view of the shower arm of FIG. 1;
FIG. 6 is a bottom plan view of the shower arm of FIG. 1;
FIG. 7 is a front view of the shower arm of FIG. 1; and,
FIG. 8 is a rear view of the shower arm of FIG. 1.

The broken lines shown in the drawings are only for purposes both of illustrating use and environment and to define the bounds of the claimed design and form no part of the claimed design.

1 Claim, 8 Drawing Sheets



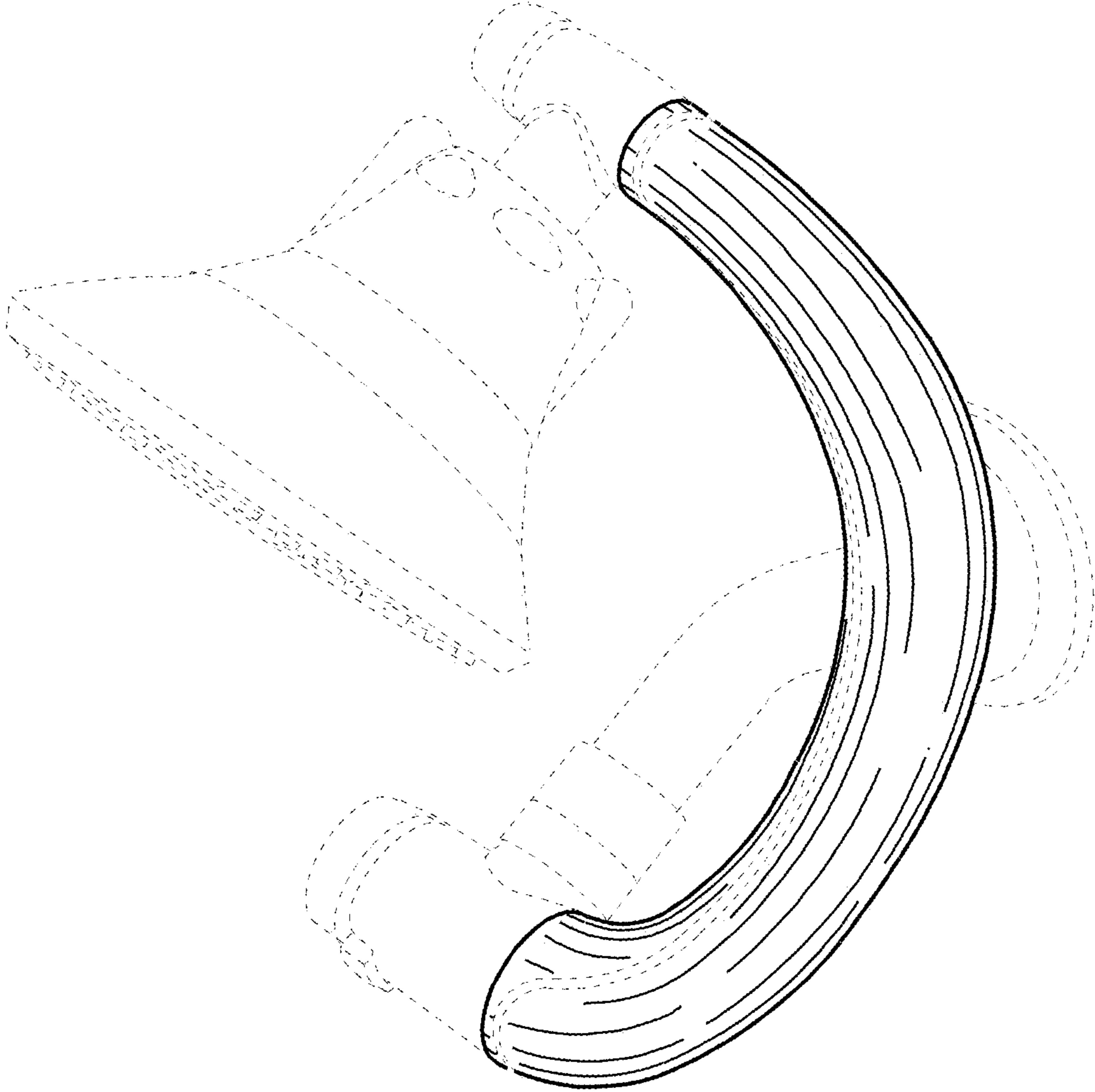


FIG. 1

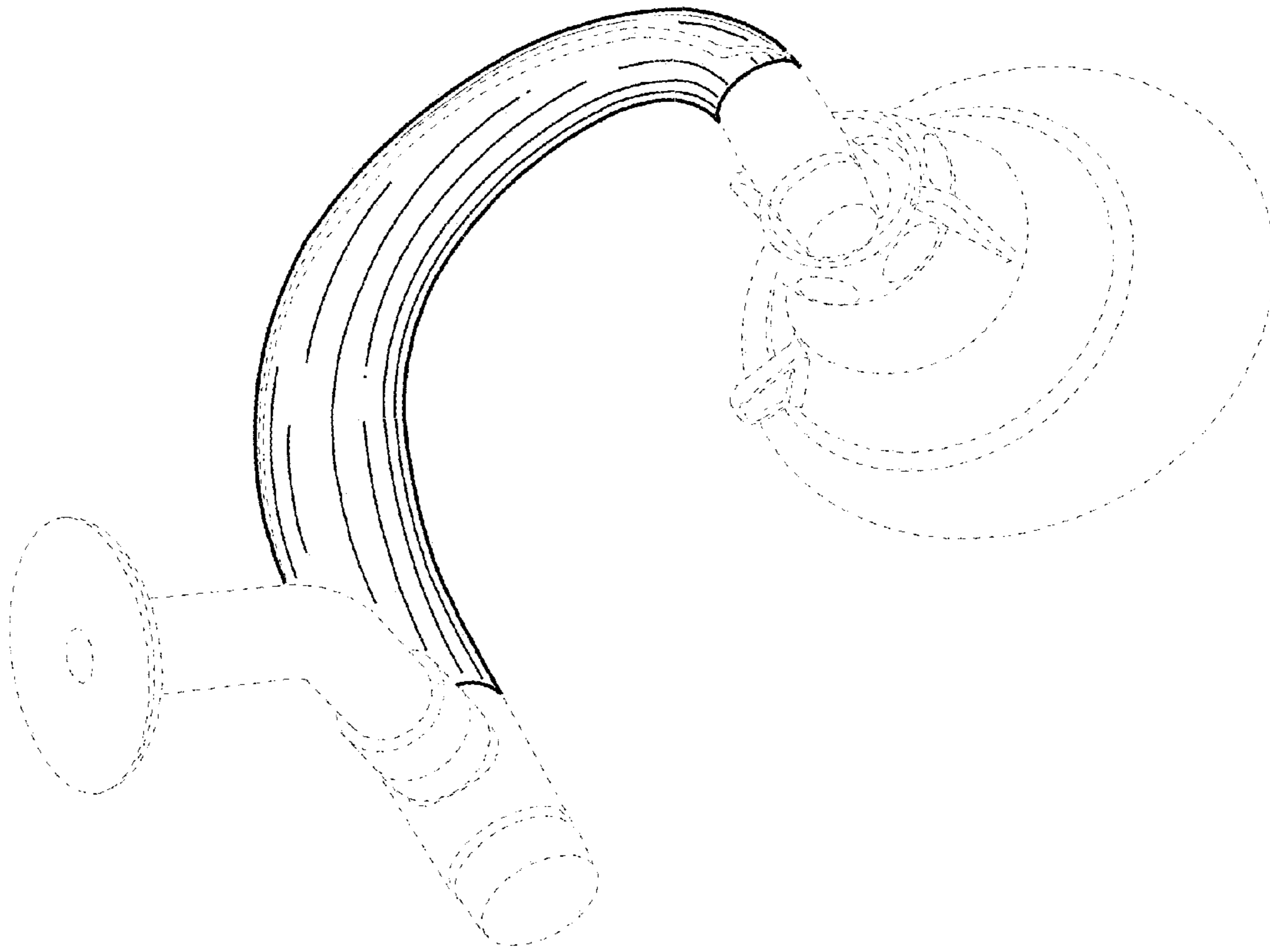


FIG. 2

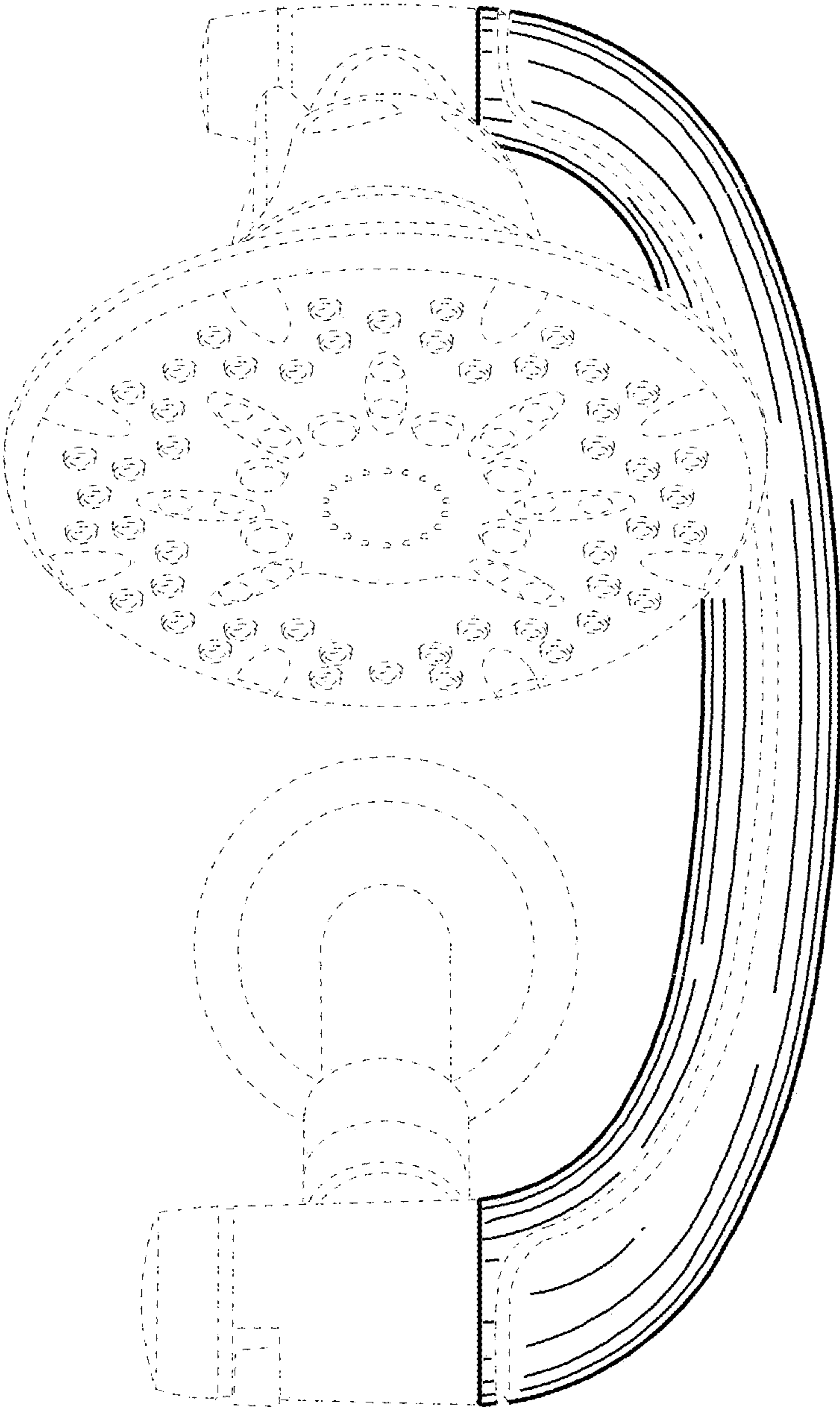


FIG. 3

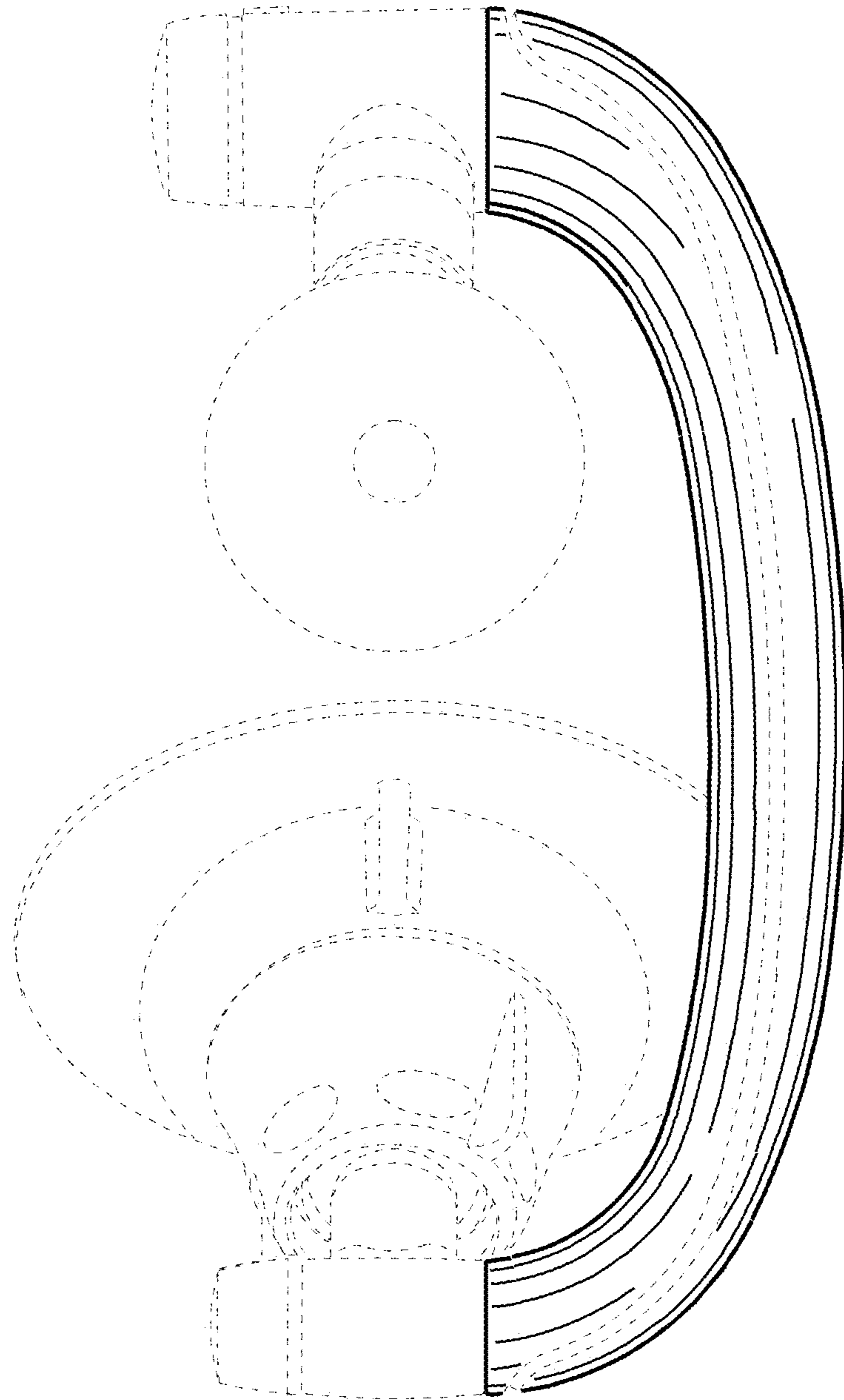


FIG. 4

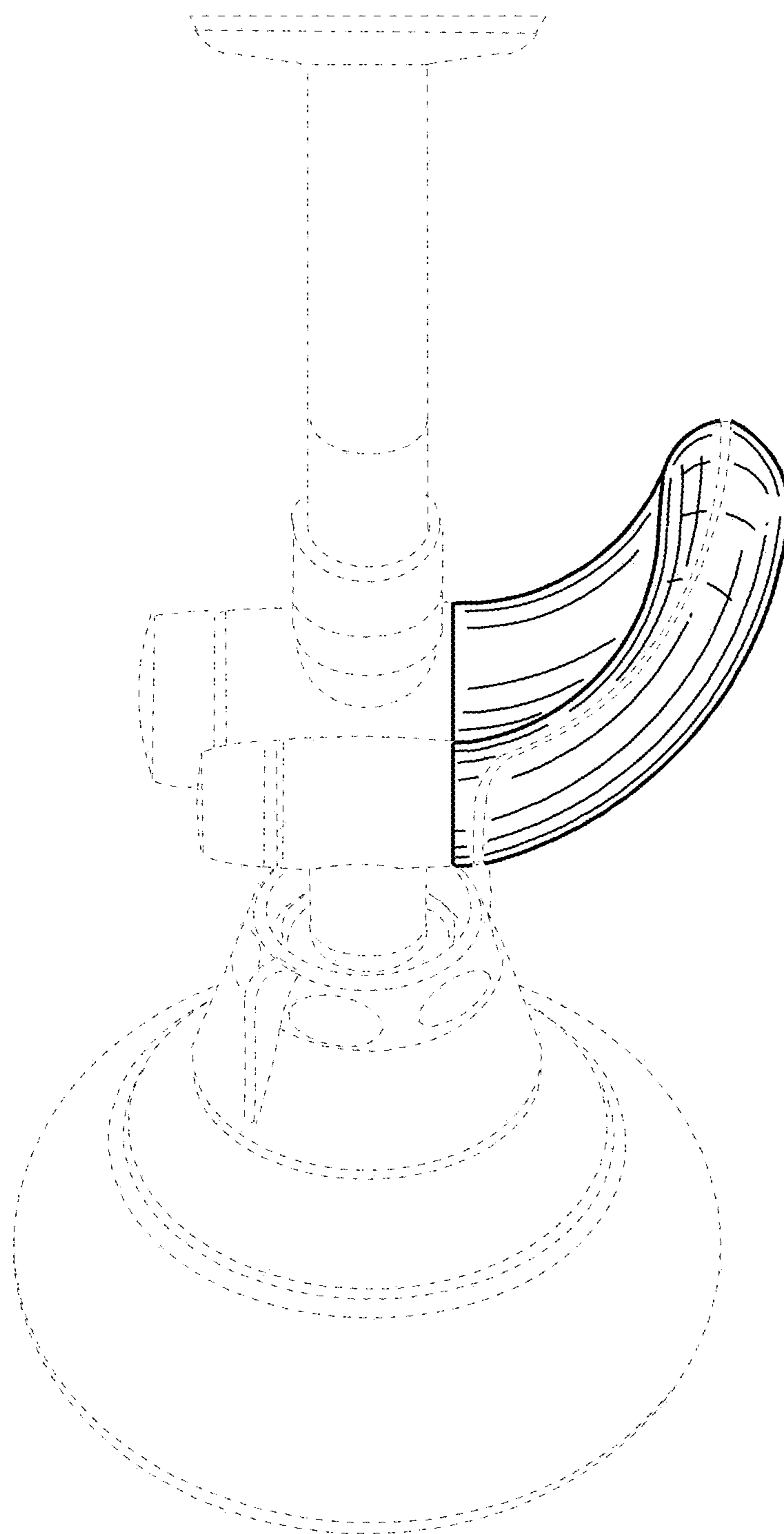


FIG. 5

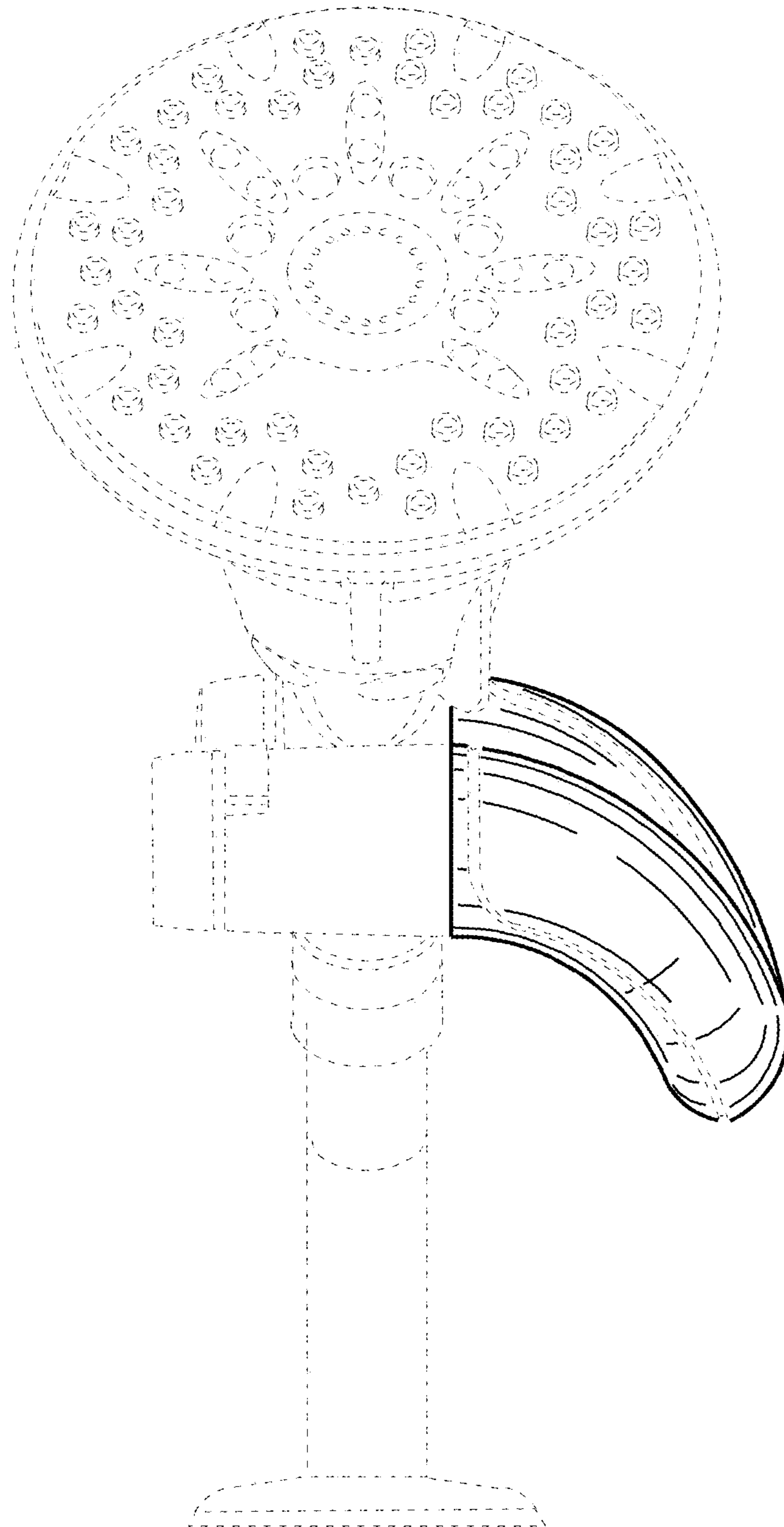


FIG. 6

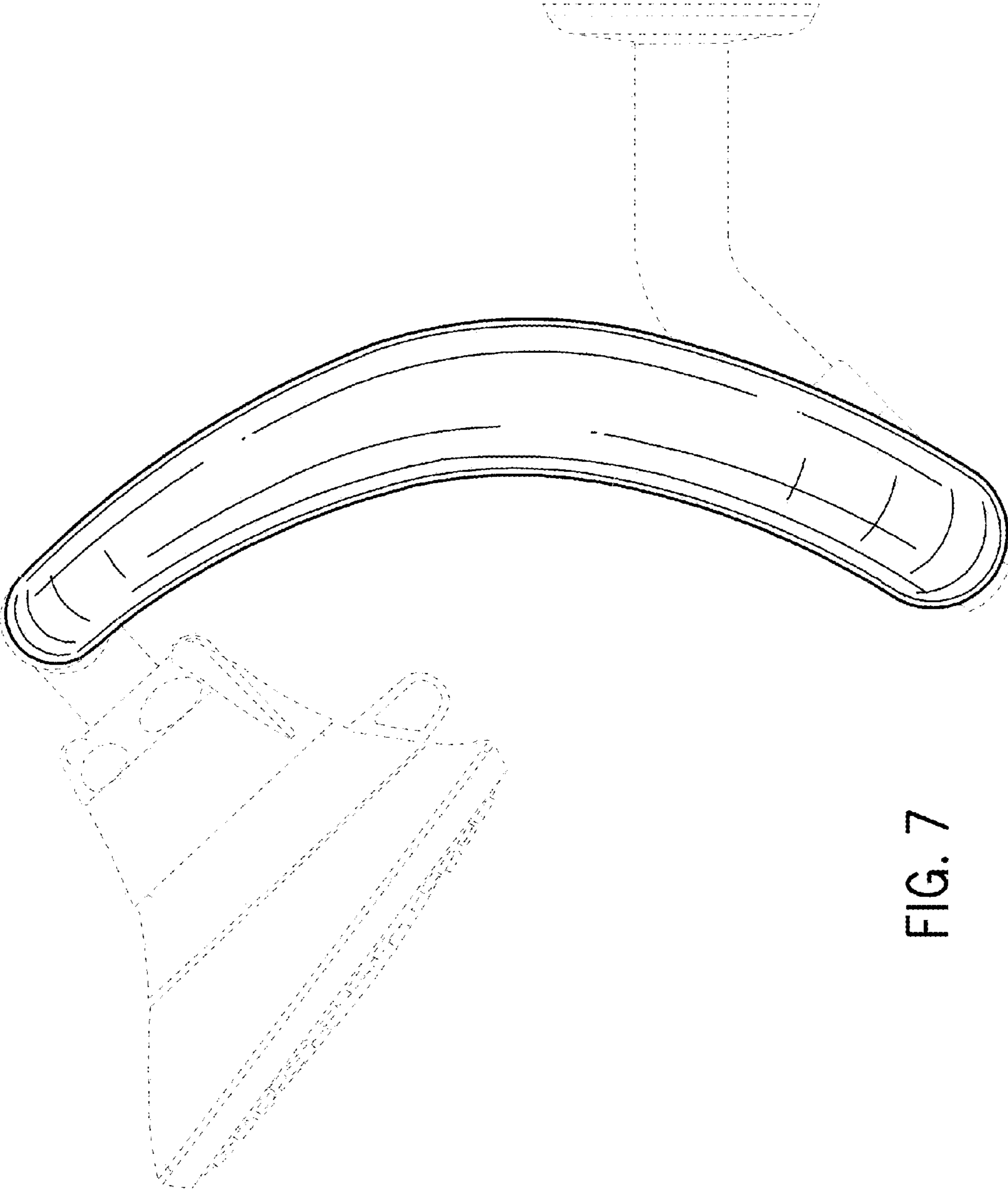


FIG. 7

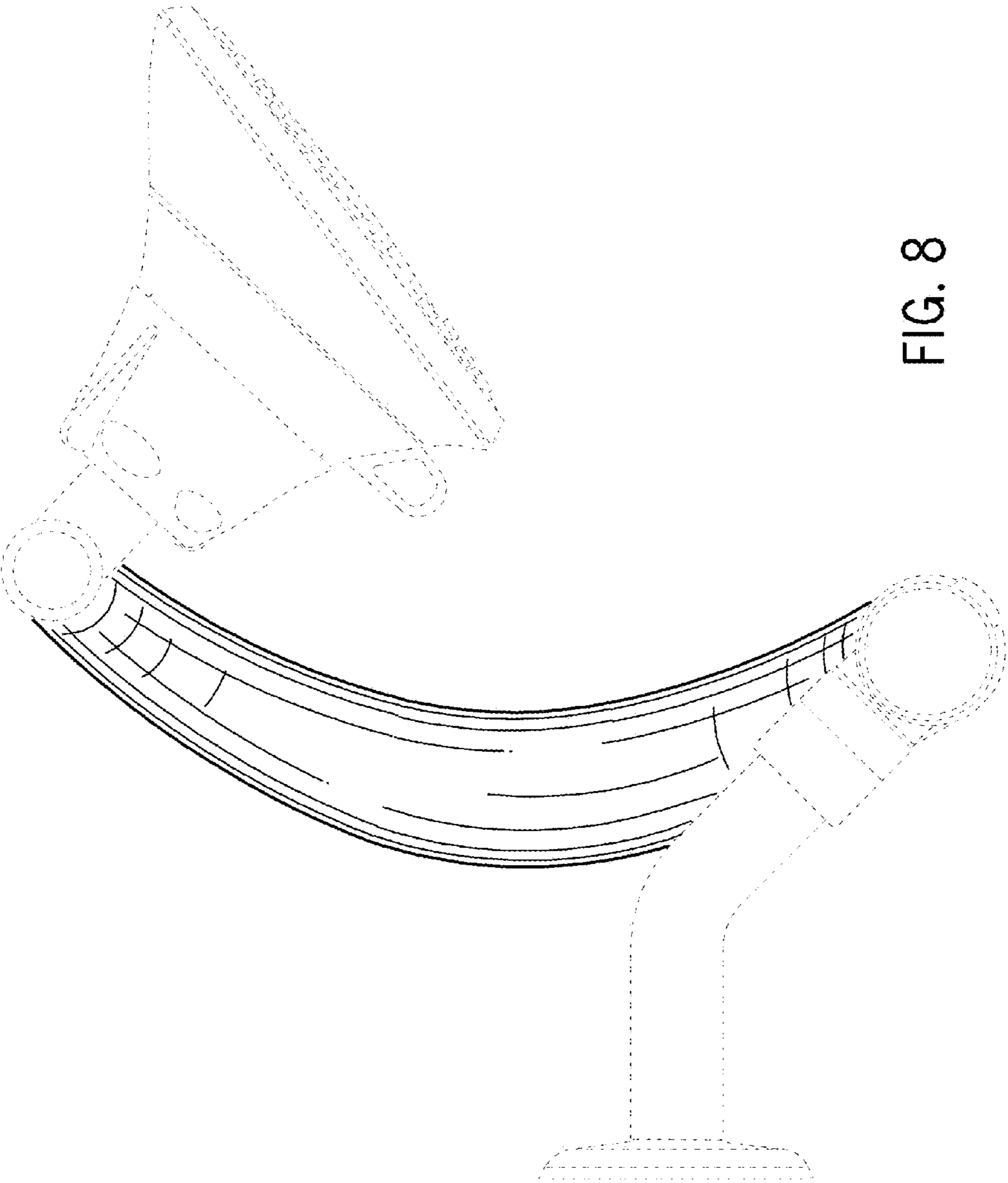


FIG. 8