



US00D710970S

(12) **United States Design Patent**
Cooper et al.

(10) **Patent No.:** **US D710,970 S**

(45) **Date of Patent:** **** Aug. 12, 2014**

(54) **DROP FILTER STAND**

(71) Applicant: **Whirlpool Corporation**, Benton Harbor, MI (US)

(72) Inventors: **Beth Cooper**, St. Joseph, MI (US);
David Cooper, Kalamazoo, MI (US);
Scott Bradford, Cassinetta (IT)

(73) Assignee: **Whirlpool Corporation**, Benton Harbor, MI (US)

(**) Term: **14 Years**

(21) Appl. No.: **29/448,778**

(22) Filed: **Mar. 13, 2013**

(51) **LOC (10) Cl.** **23-01**

(52) **U.S. Cl.**
USPC **D23/209**

(58) **Field of Classification Search**
USPC D23/207-209; 210/435, 446, 451, 455,
210/464, 466, 469, 473, 474, 477, 482
See application file for complete search history.

(56) **References Cited**

U.S. PATENT DOCUMENTS

651,948 A	6/1900	Lawson	
1,536,890 A	5/1925	Lagemann	
1,674,203 A	6/1928	Thomas	
3,823,824 A	7/1974	Close	
4,283,283 A	8/1981	Zimmerman	
4,419,235 A	12/1983	Sway	
4,528,095 A	7/1985	Byrne	
4,764,274 A	8/1988	Miller	
4,828,692 A	5/1989	Peranio	
4,867,875 A	9/1989	Peranio	
4,948,499 A	8/1990	Peranio	
4,999,109 A	3/1991	Sabre	
5,219,525 A *	6/1993	Harrison	210/359
5,318,703 A	6/1994	Heiligman	

5,328,597 A	7/1994	Boldt
5,393,548 A	2/1995	Heiligman
5,411,661 A	5/1995	Heiligman
5,652,008 A	7/1997	Heiligman
5,656,160 A	8/1997	Parise
5,826,493 A	10/1998	Tien Lin
5,846,418 A	12/1998	Thompson

(Continued)

OTHER PUBLICATIONS

Drop Speaker, Zumreed, "Music with Style", Copyright 2010 Dreams, Inc.

(Continued)

Primary Examiner — Robin V Webster

(57) **CLAIM**

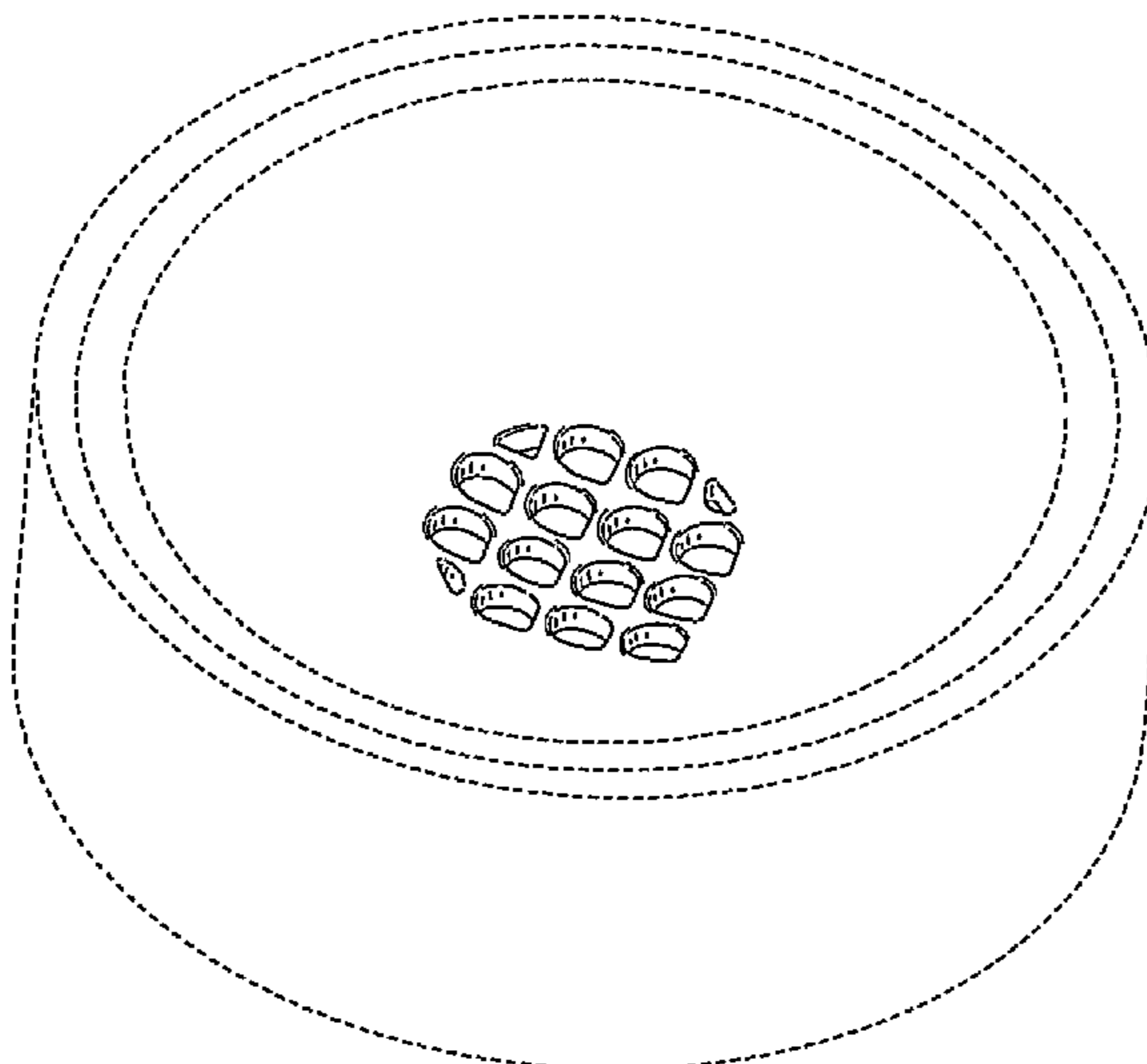
We claim the ornamental design for drop filter stand, as shown.

DESCRIPTION

FIG. 1 is a perspective view of the drop filter stand according to an embodiment of the present invention;
FIG. 2 is another perspective view of the drop filter stand shown in FIG. 1;
FIG. 3 is a top view of the drop filter stand shown in FIG. 1;
FIG. 4 is a bottom view of the drop filter stand shown in FIG. 1;
FIG. 5 is a front view of the drop filter stand shown in FIG. 1;
FIG. 6 is a back view of the drop filter stand shown in FIG. 1; and
FIG. 7 is a right side view of the drop filter stand shown in FIG. 1; and,
FIG. 8 is a left side view of the drop filter stand shown in FIG. 1.

The broken lines in the Figures are for contextual purposes and form no part of the claimed design.

1 Claim, 6 Drawing Sheets



(56)

References Cited

U.S. PATENT DOCUMENTS

5,902,481 A * 5/1999 Schwietert 210/464
5,914,045 A 6/1999 Palmer
6,024,867 A 2/2000 Parise
6,074,550 A 6/2000 Hofmann et al.
6,290,847 B1 9/2001 Cutler
6,428,687 B1 8/2002 Moretto
D496,429 S 9/2004 Donnelly
7,094,334 B1 8/2006 Guzman
7,163,625 B1 1/2007 Williamson
7,294,277 B2 11/2007 Moretto
7,309,418 B2 12/2007 Joyce
7,585,409 B2 9/2009 Bommi et al.
D602,558 S 10/2009 Beams
7,678,282 B2 3/2010 Moretto
D617,868 S 6/2010 Leavitt
7,836,708 B2 11/2010 Krause
7,862,720 B2 1/2011 Brown

D657,844 S 4/2012 Smiedt
D674,463 S * 1/2013 Wilder et al. D23/209
D674,464 S * 1/2013 Wilder et al. D23/209
D675,708 S * 2/2013 Smiedt et al. D23/209
8,381,640 B1 * 2/2013 Wilson 99/444
D697,172 S * 1/2014 Bradford et al. D23/209
2010/0044284 A1 2/2010 Scholz
2010/0084347 A1 4/2010 Wilder
2012/0148707 A1 6/2012 Lackey

OTHER PUBLICATIONS

Zumreed Rain Drop LED Bathroom Light, online article by
Liszewski, Andrew on May 14, 2007, website www.ohgizmo.com.
Zumreed Drop—Showering With Your Ipod., Copyright One Piece
Discoveries Science and Tech Blog 2009-2010.
<http://www.somawater.co/> (web page Dec. 2012).
[http://www.kickstarter.com/projects/zachallia/soma-beautifully-in-](http://www.kickstarter.com/projects/zachallia/soma-beautifully-innovative-all-natural-water-filt)
[novative-all-natural-water-filt](http://www.kickstarter.com/projects/zachallia/soma-beautifully-innovative-all-natural-water-filt) (web page Dec. 2012).

* cited by examiner

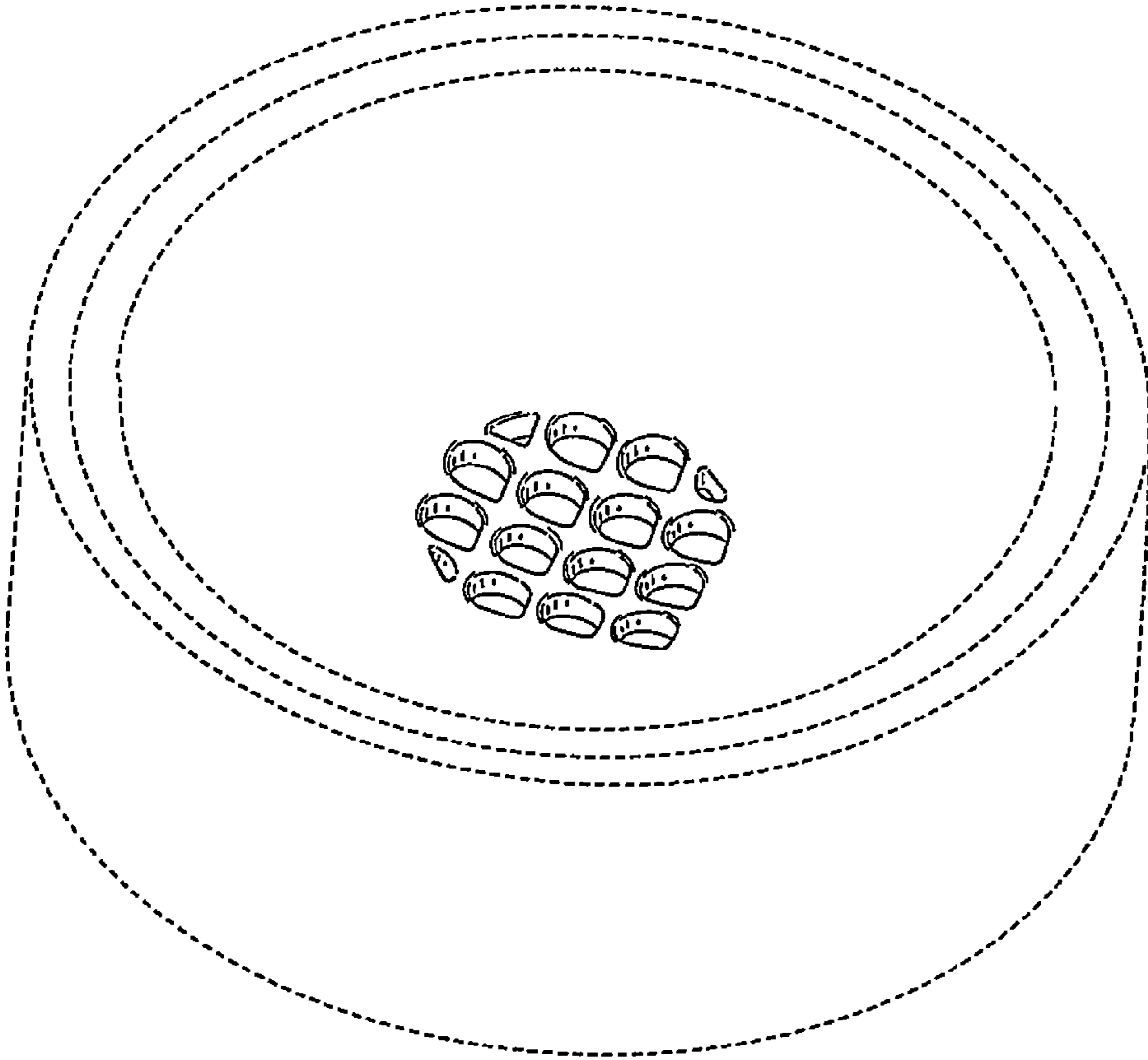


FIG. 1

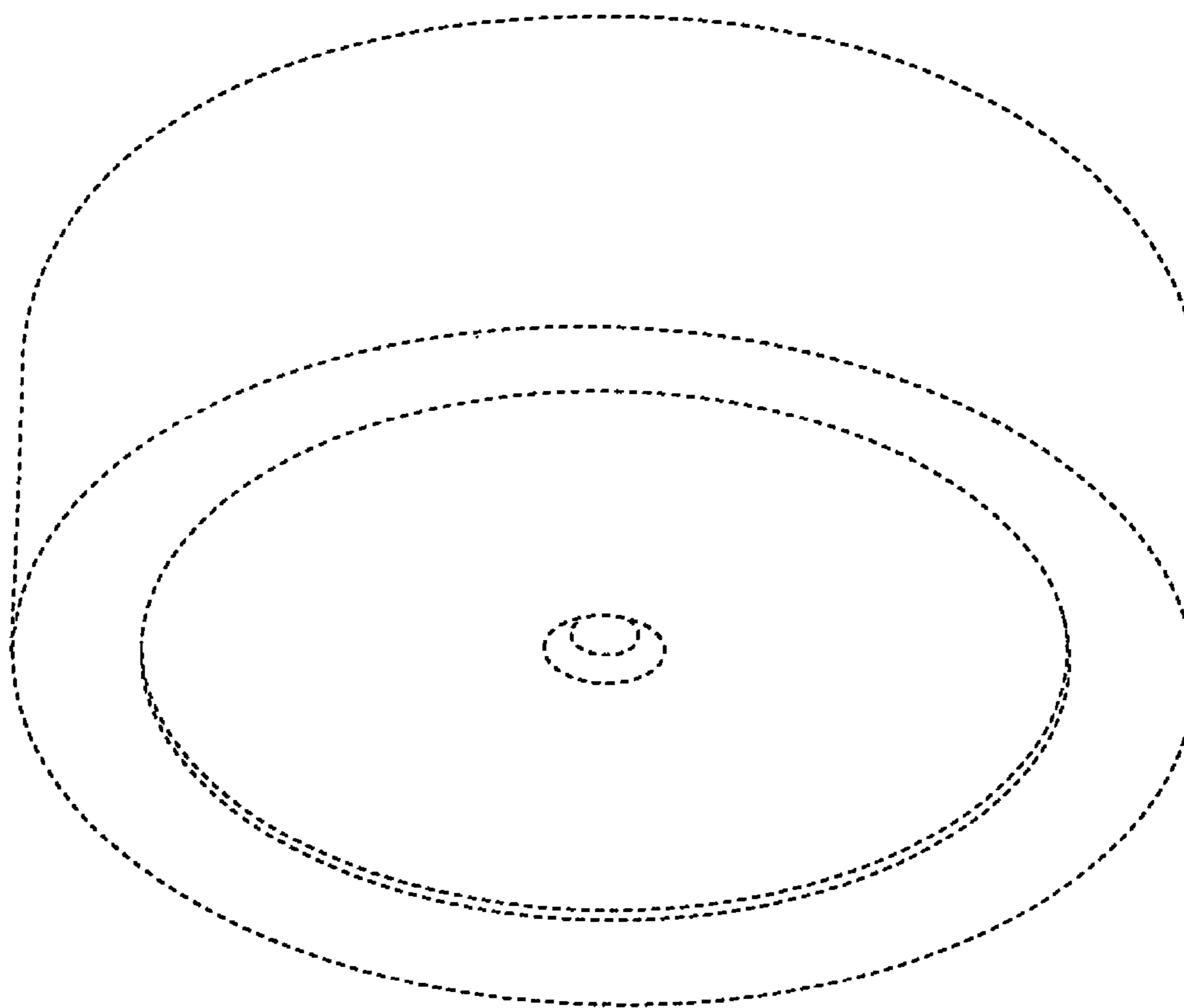


FIG. 2

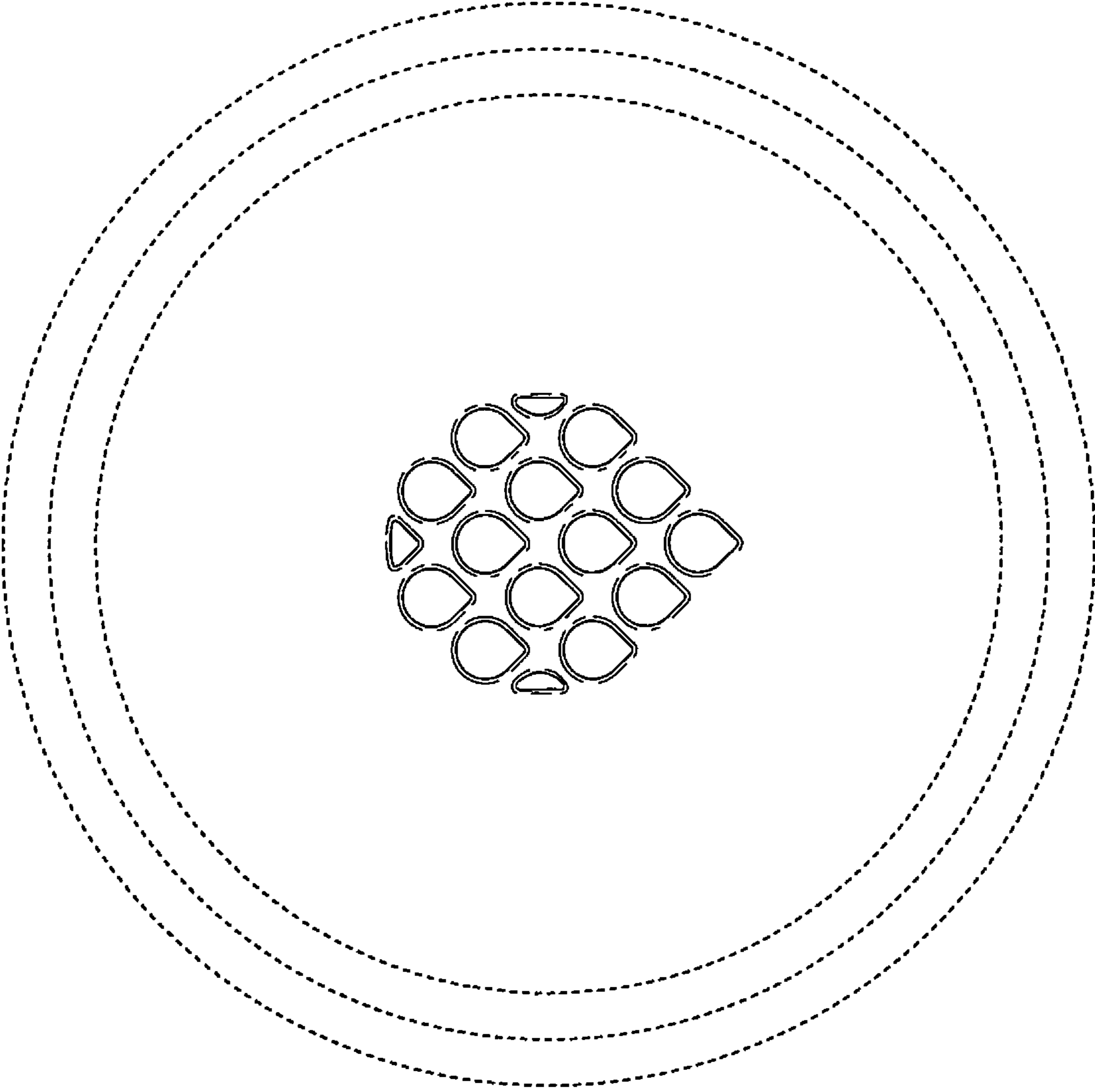


FIG. 3

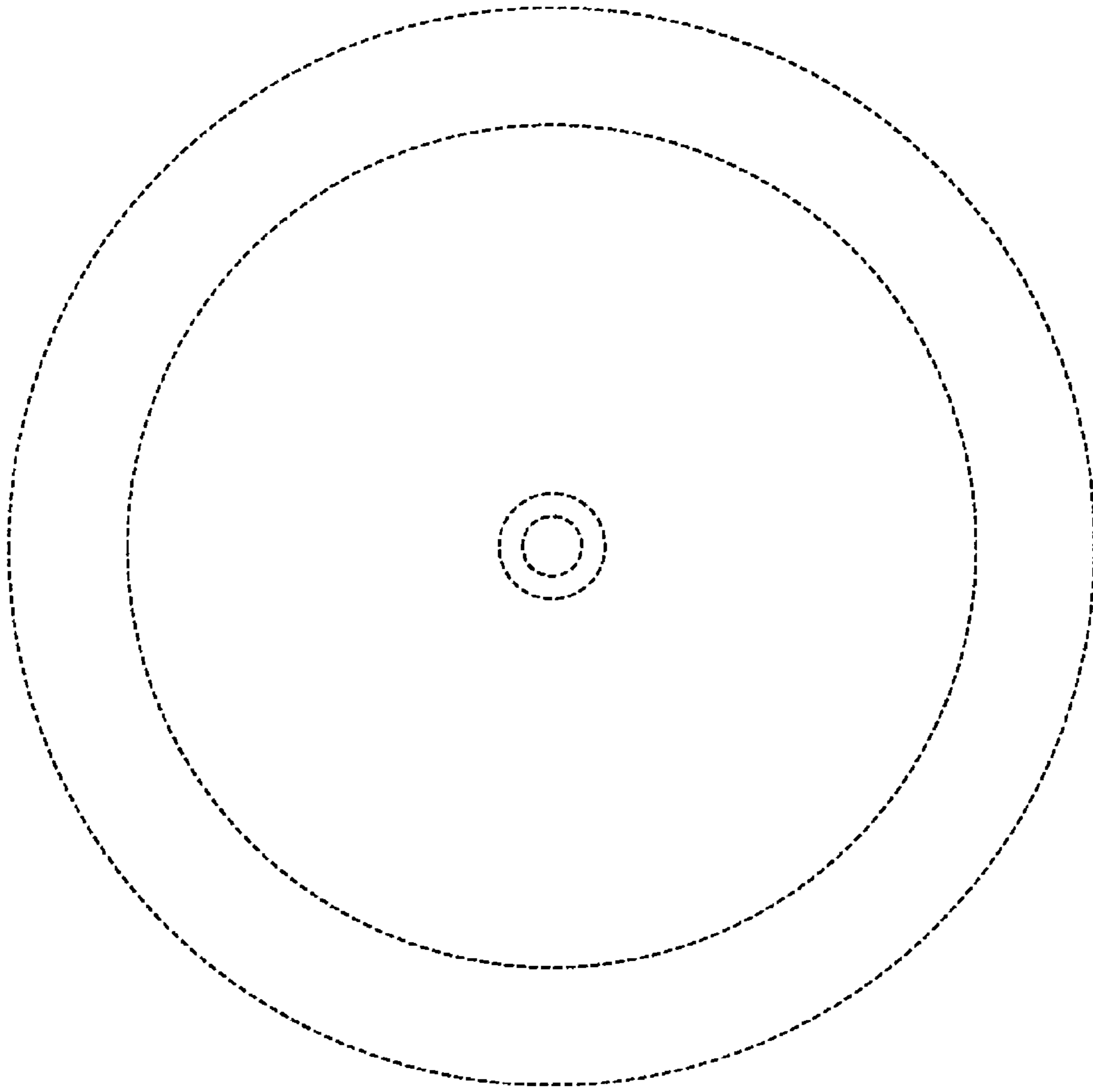


FIG. 4



FIG. 5

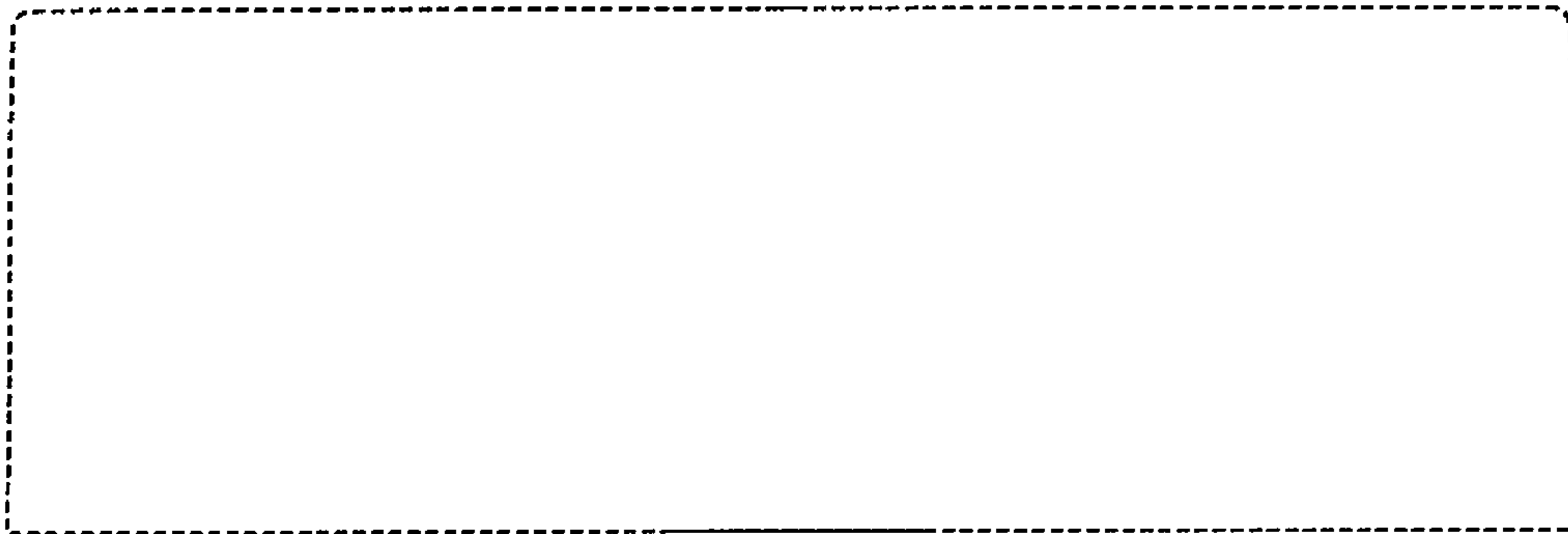


FIG. 6



FIG. 7



FIG. 8