

US00D710969S

(12) **United States Design Patent**
Bradford et al.

(10) **Patent No.:** **US D710,969 S**
(45) **Date of Patent:** **** Aug. 12, 2014**

(54) **WATER FILTER SUSPENSION APPARATUS**

FOREIGN PATENT DOCUMENTS

(71) Applicant: **Whirlpool Corporation**, Benton Harbor, MI (US)

FR 2884729 A1 10/2006
GB 2441981 A 3/2008

(Continued)

(72) Inventors: **Scott Hugh Bradford**, Gavirate (IT);
Joel Graham Van Faasen, Holland, MI (US)

OTHER PUBLICATIONS

<http://www.somawater.co/> (web page Dec. 2012).

(Continued)

(73) Assignee: **Whirlpool Corporation**, Benton Harbor, MI (US)

Primary Examiner — Robin V Webster

(**) Term: **14 Years**

(57) **CLAIM**

We claim the ornamental design for water filter suspension apparatus, as shown.

(21) Appl. No.: **29/438,808**

DESCRIPTION

(22) Filed: **Dec. 4, 2012**

FIG. 1 is a perspective view of the water filter suspension apparatus according to an embodiment of the present invention.

(51) **LOC (10) Cl.** **23-01**

FIG. 2 is the top view of the water filter suspension apparatus shown in FIG. 1;

(52) **U.S. Cl.**
USPC **D23/209; D8/354**

FIG. 3 is the bottom view of the water filter suspension apparatus shown in FIG. 1;

(58) **Field of Classification Search**
USPC D23/207-209; 210/435, 446, 451, 455,
210/464, 466, 469, 473, 474, 477, 482;
D8/349, 354, 380

FIG. 4 is the front view of the water filter suspension apparatus shown in FIG. 1;

See application file for complete search history.

FIG. 5 is the back view of the water filter suspension apparatus shown in FIG. 1;

(56) **References Cited**

FIG. 6 is the right side view of the water filter suspension apparatus shown in FIG. 1;

U.S. PATENT DOCUMENTS

FIG. 7 is the left side view of the water filter suspension apparatus shown in FIG. 1;

651,948 A	6/1900	Lawson
1,536,890 A	5/1925	Lagemann
1,674,203 A	6/1928	Holz
3,823,824 A	7/1974	Close
4,283,283 A	8/1981	Zimmerman
4,419,235 A	12/1983	Sway
4,528,095 A	7/1985	Byrne
4,764,274 A	8/1988	Miller
4,828,692 A	5/1989	Peranio
4,867,875 A	9/1989	Peranio

FIG. 8 is an environmental perspective view of the water filter suspension apparatus shown in FIG. 8;

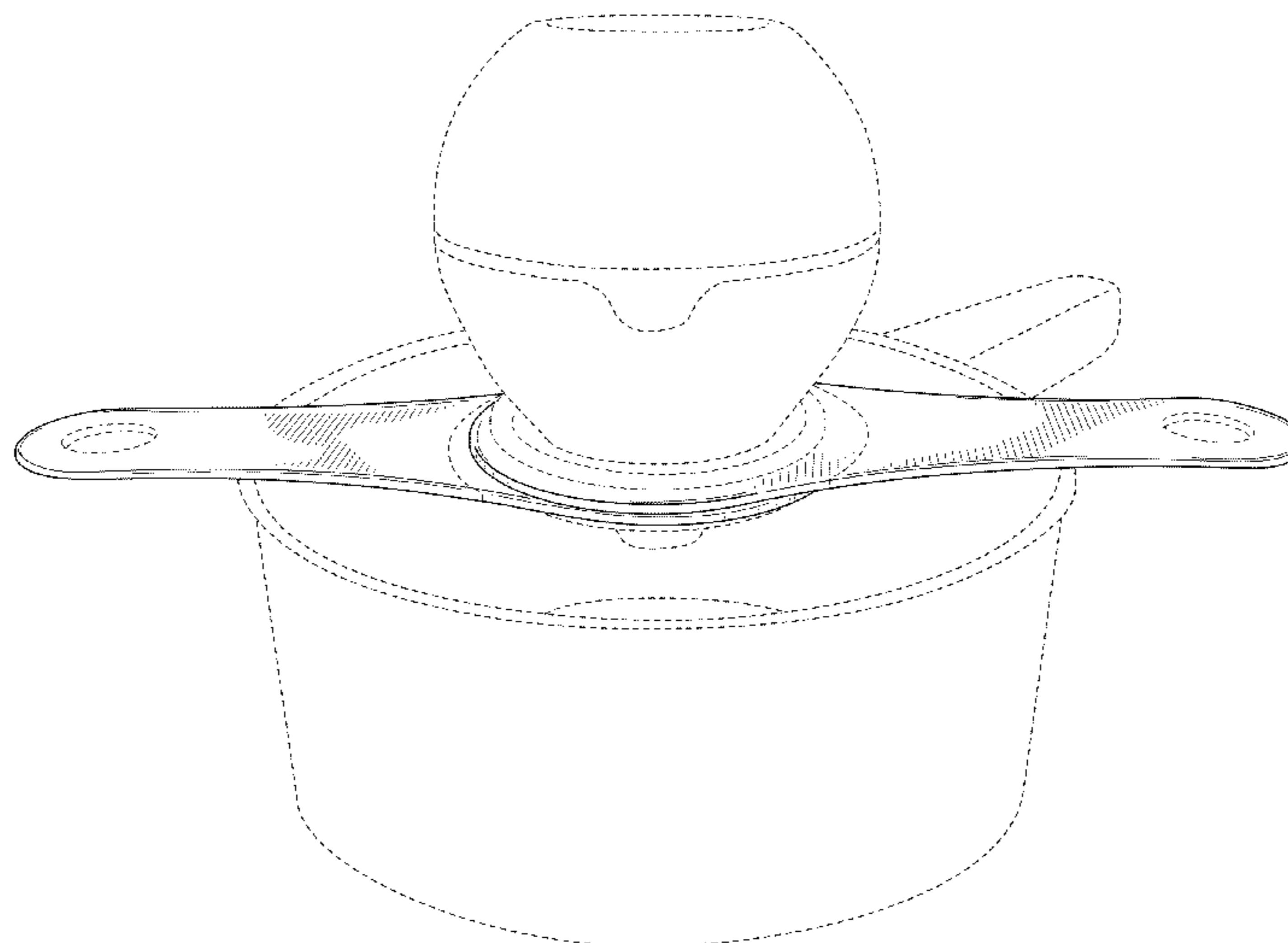
FIG. 9 is an environmental front view of the water filter suspension apparatus shown in FIG. 8; and,

FIG. 10 is an environmental top view of the water filter suspension apparatus shown in FIG. 8.

The broken lines in the Figures show the environment of the claimed water filter suspension apparatus. The broken lines in all of the Figures form no part of the claimed design.

(Continued)

1 Claim, 8 Drawing Sheets



(56)

References Cited

U.S. PATENT DOCUMENTS

4,948,499 A 8/1990 Peranio
 4,999,109 A 3/1991 Sabre
 5,318,703 A 6/1994 Heiligman
 5,328,597 A 7/1994 Boldt, Jr.
 5,393,548 A 2/1995 Heiligman
 5,411,661 A 5/1995 Heiligman
 5,652,008 A 7/1997 Heiligman
 5,656,160 A 8/1997 Parise
 5,826,493 A 10/1998 Tien Lin
 5,846,418 A 12/1998 Thompson
 5,914,045 A 6/1999 Palmer
 6,024,867 A 2/2000 Parise
 6,074,550 A 6/2000 Hofmann
 6,290,847 B1 9/2001 Cutler
 6,428,687 B1 8/2002 Moretto
 D496,429 S 9/2004 Donnelly
 7,094,334 B1 8/2006 Guzman
 7,163,625 B1 1/2007 Williamson
 D551,058 S * 9/2007 Carnevali D8/354
 7,294,277 B2 11/2007 Moretto
 7,309,418 B2 12/2007 Joyce
 D563,205 S * 3/2008 Kuzukawa D8/354
 D598,731 S * 8/2009 Dinh D8/354
 7,585,409 B2 9/2009 Bommi
 D602,558 S 10/2009 Beams
 7,678,282 B2 3/2010 Moretto

D617,868 S 6/2010 Leavitt
 7,836,708 B2 11/2010 Krause
 7,862,720 B2 1/2011 Brown
 D657,844 S 4/2012 Smiedt
 D658,039 S * 4/2012 Ghatikar et al. D8/354
 D665,651 S * 8/2012 Richter D8/354
 2010/0044284 A1 2/2010 Scholz
 2010/0084347 A1 4/2010 Wilder
 2011/0303589 A1 12/2011 Kuennen
 2012/0148707 A1 6/2012 Lackey

FOREIGN PATENT DOCUMENTS

WO WO 97/7040906 A1 11/1997
 WO WO 2010/010572 A2 1/2010
 WO WO 2011/013142 A2 2/2011

OTHER PUBLICATIONS

<http://www.kickstarter.com/projects/zachallia/soma-beautifully-innovative-all-natural-water-filt> (web page Dec. 2012).
 Drop Speaker, Zumreed, "Music with Style", Copyright 2010 Dreams, Inc.
 Zumreed Rain Drop LED Bathroom Light, online article by Liszewski, Andrew on May 14, 2007, website www.ohgizmo.com.
 Zumreed Drop—Showering With Your IPod., Copyright One Piece Discoveries Science and Tech Blog 2009-2010.

* cited by examiner

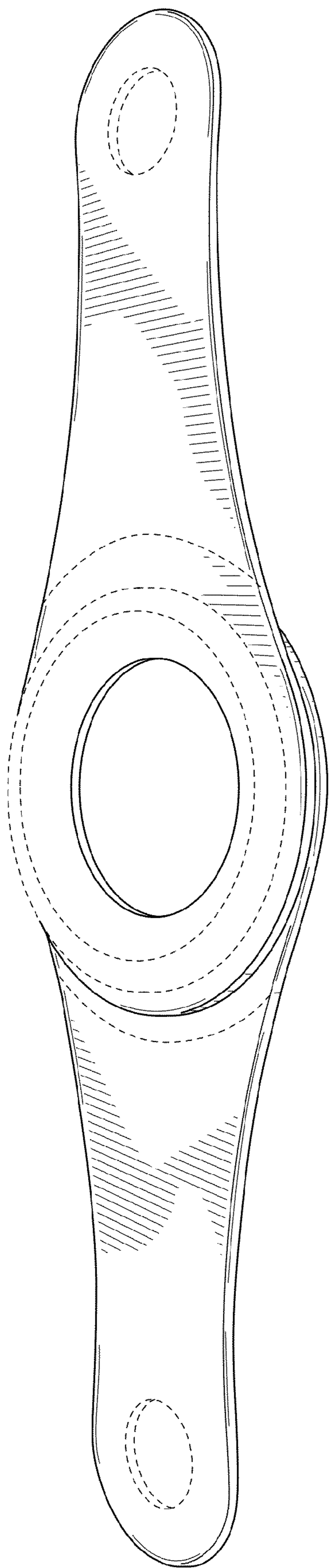


FIG. 1

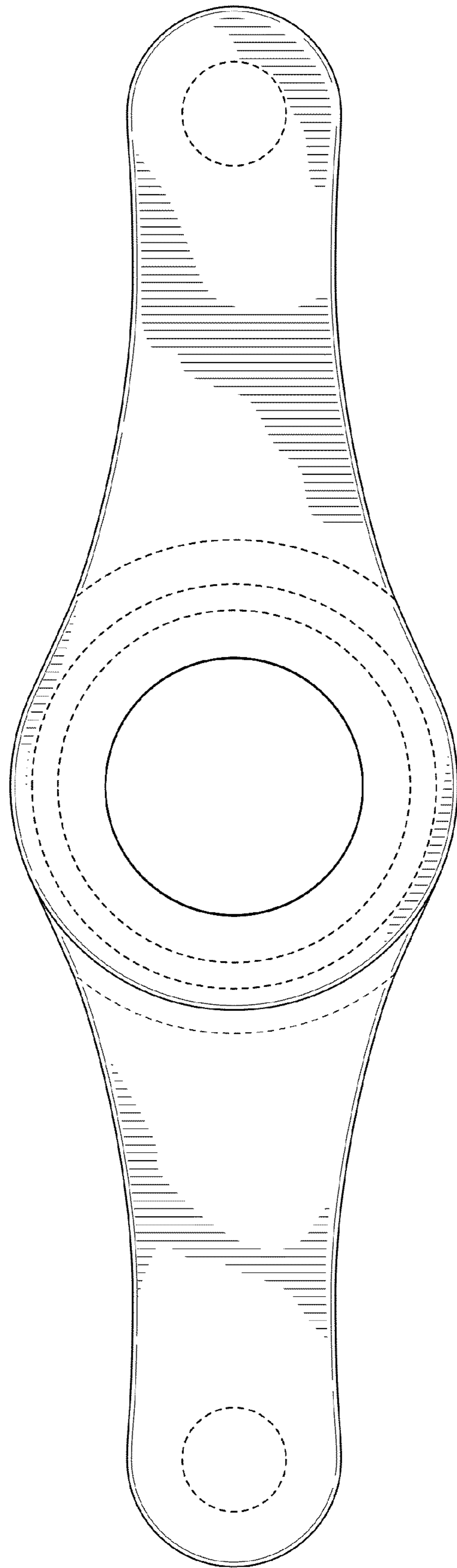


FIG. 2

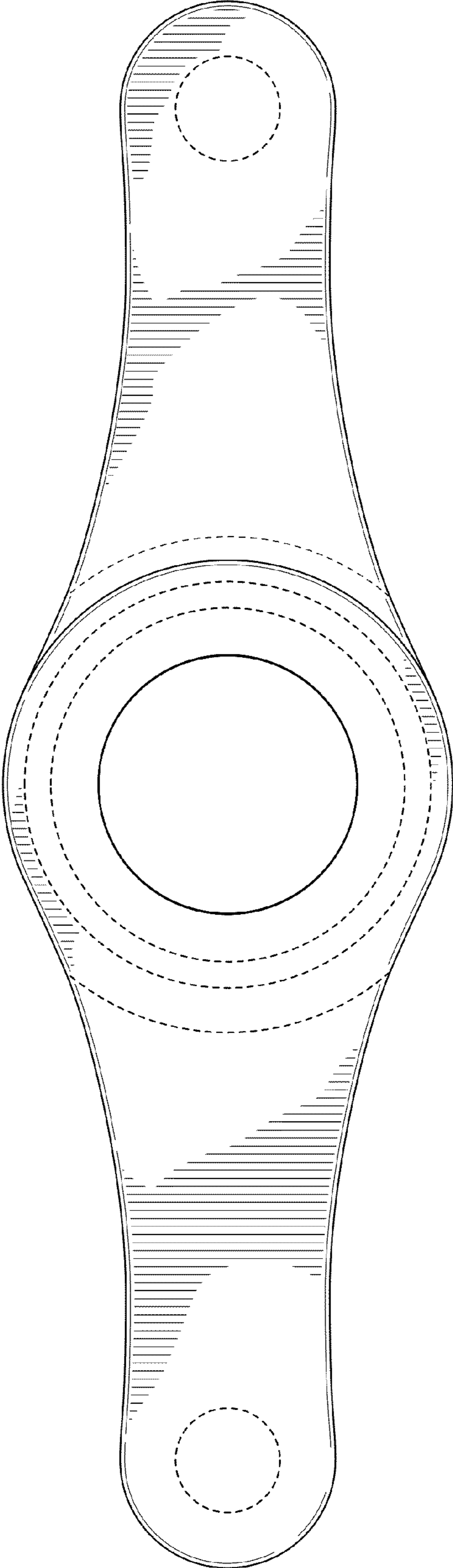


FIG. 3

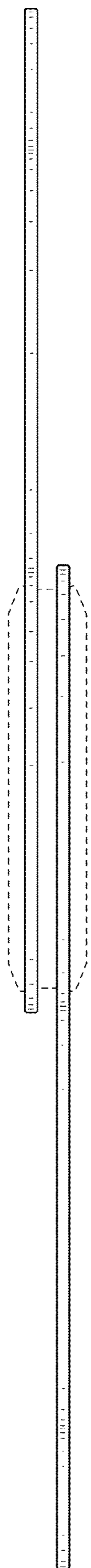


FIG. 4

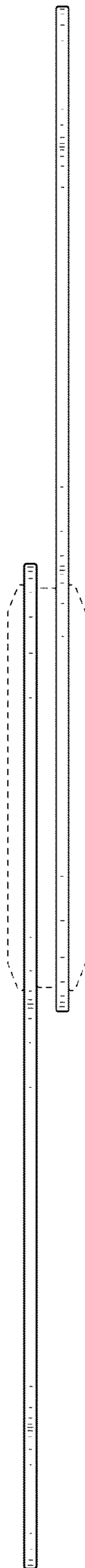


FIG. 5

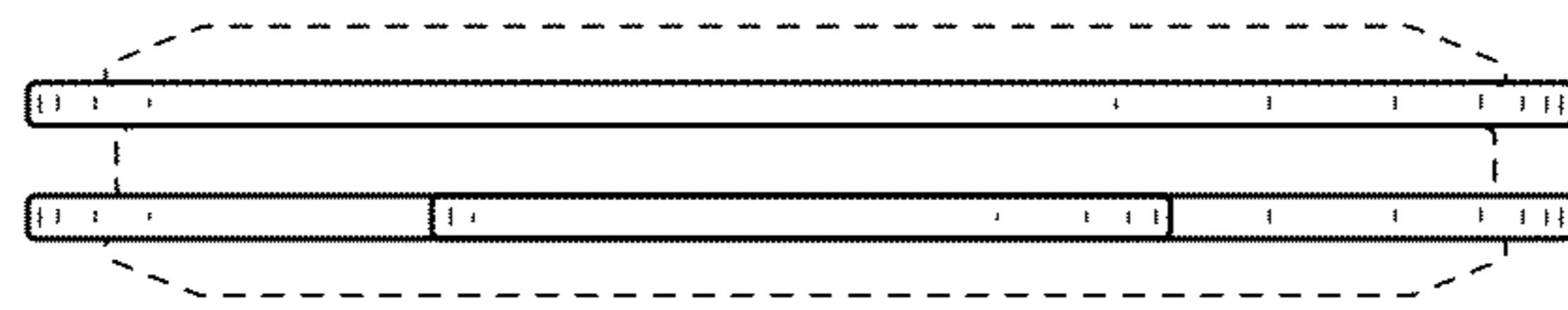


FIG. 6

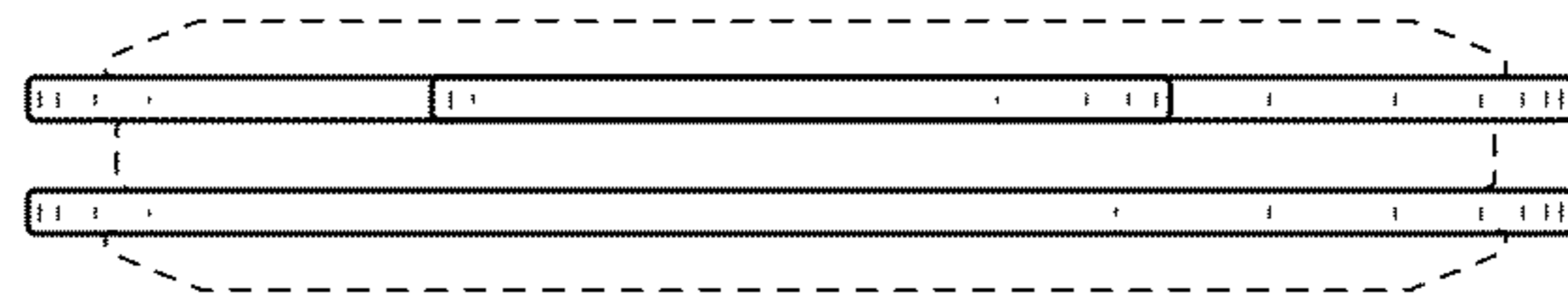


FIG. 7

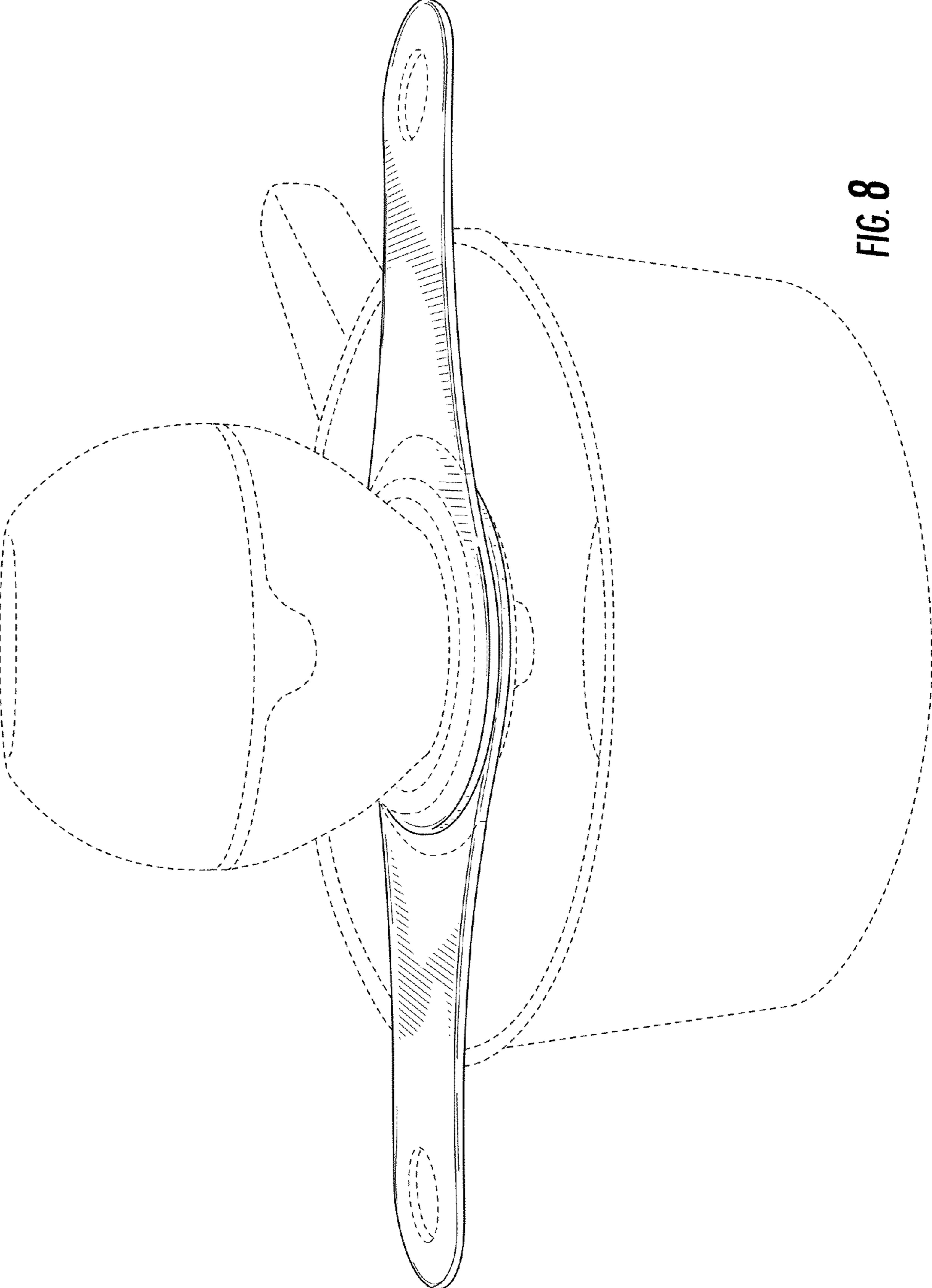


FIG. 8

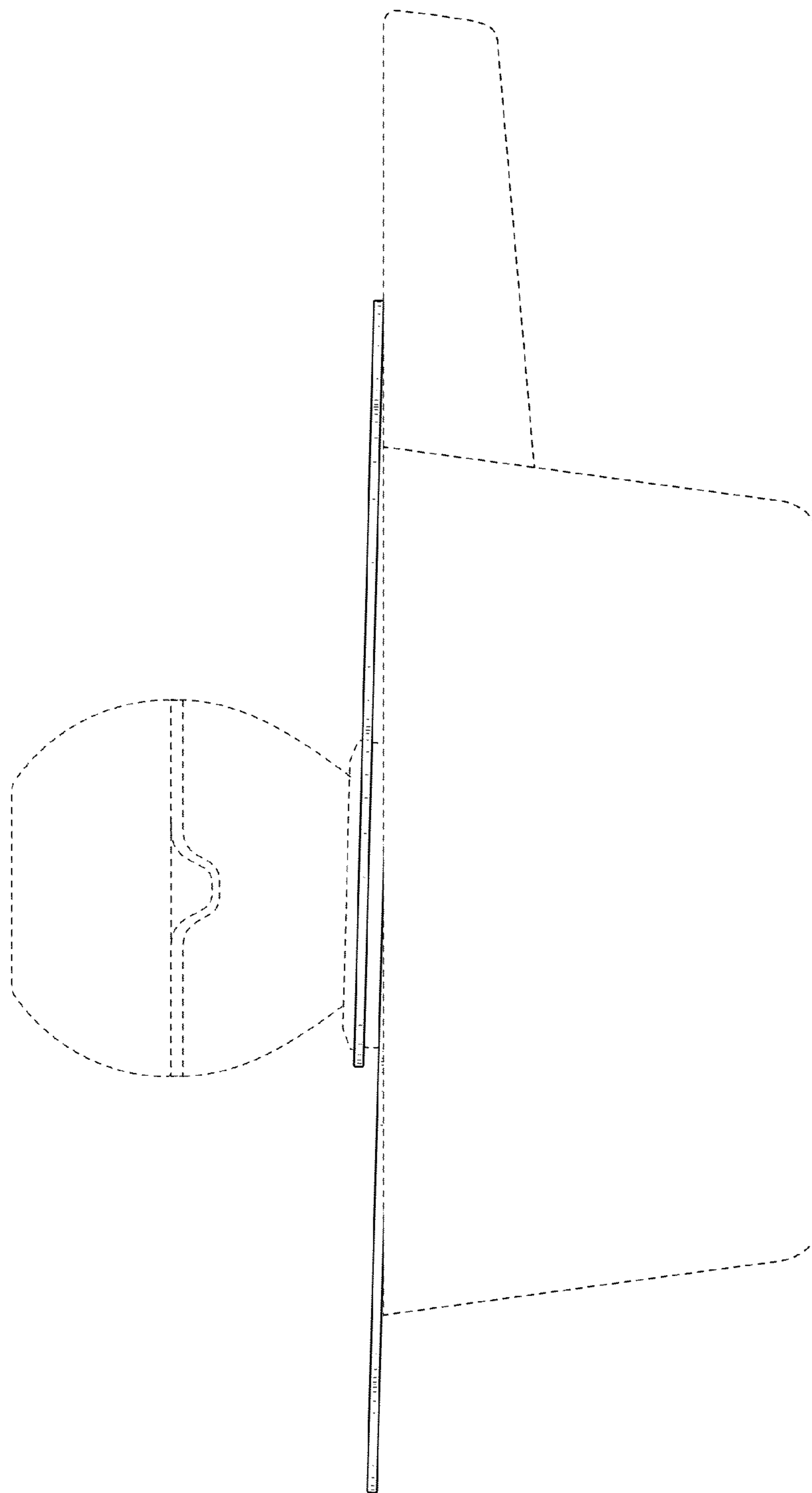


FIG. 9

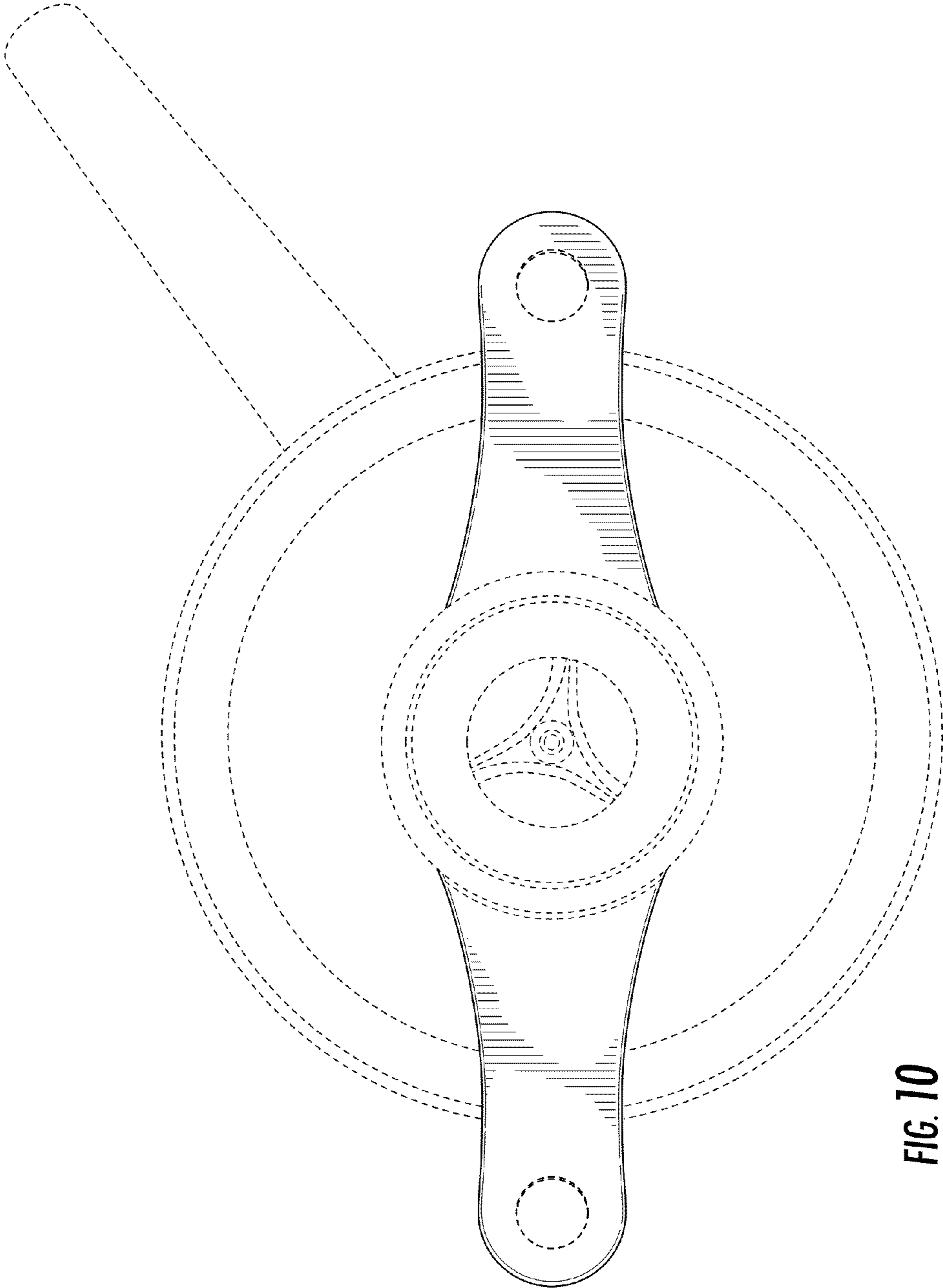


FIG. 10