



US00D710967S

(12) **United States Design Patent**
Cheng et al.

(10) **Patent No.:** **US D710,967 S**

(45) **Date of Patent:** **** Aug. 12, 2014**

(54) **SCOPE**

(71) Applicants: **Carson Cheng**, City of Industry, CA (US); **Richard Thomas**, City of Industry, CA (US)

(72) Inventors: **Carson Cheng**, City of Industry, CA (US); **Richard Thomas**, City of Industry, CA (US)

(73) Assignee: **NCSTAR Inc.**, City of Industry, CA (US)

(**) Term: **14 Years**

(21) Appl. No.: **29/442,443**

(22) Filed: **Mar. 4, 2013**

(51) **LOC (10) Cl.** **22-01**

(52) **U.S. Cl.**
USPC **D22/109**

(58) **Field of Classification Search**
USPC D22/109-110; 359/399, 823, 744;
42/111, 133, 119, 122; D16/132, 130,
D16/133, 330, 134

See application file for complete search history.

(56)

References Cited

U.S. PATENT DOCUMENTS

D365,858 S *	1/1996	Tomita	D22/109
D416,972 S *	11/1999	Otteman et al.	D22/109
D515,118 S *	2/2006	Larsson et al.	D16/132
7,437,848 B2 *	10/2008	Chang	42/119
D580,961 S *	11/2008	Ciccone et al.	D16/133
D615,141 S *	5/2010	Leighton et al.	D22/108
D679,775 S *	4/2013	Cheng	D22/109

* cited by examiner

Primary Examiner — Michael A Pratt

(74) *Attorney, Agent, or Firm* — Raymond Y. Chan; David and Raymond Patent Firm

(57)

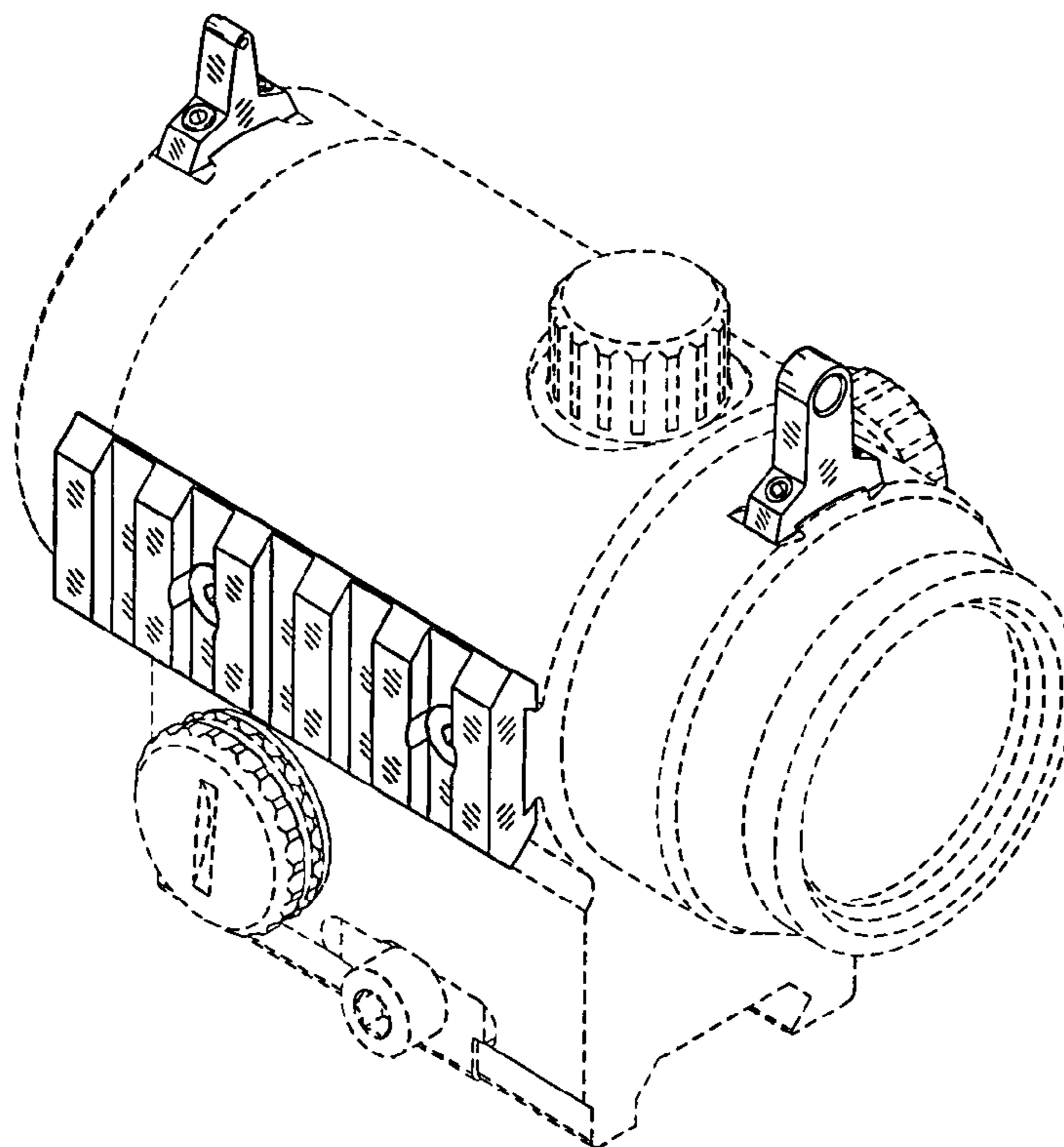
CLAIM

The ornamental design for a scope, as shown and as described.

DESCRIPTION

FIG. 1 is a perspective view showing my new design.
FIG. 2 is a front view thereof.
FIG. 3 is a rear view thereof.
FIG. 4 is a right end view thereof.
FIG. 5 is a left end view thereof.
FIG. 6 is a top view thereof.
FIG. 7 is a bottom view thereof; and,
FIG. 8 is a bottom perspective view thereof.
The broken lines are for illustrative purposes only and form no part of the claimed design.

1 Claim, 8 Drawing Sheets



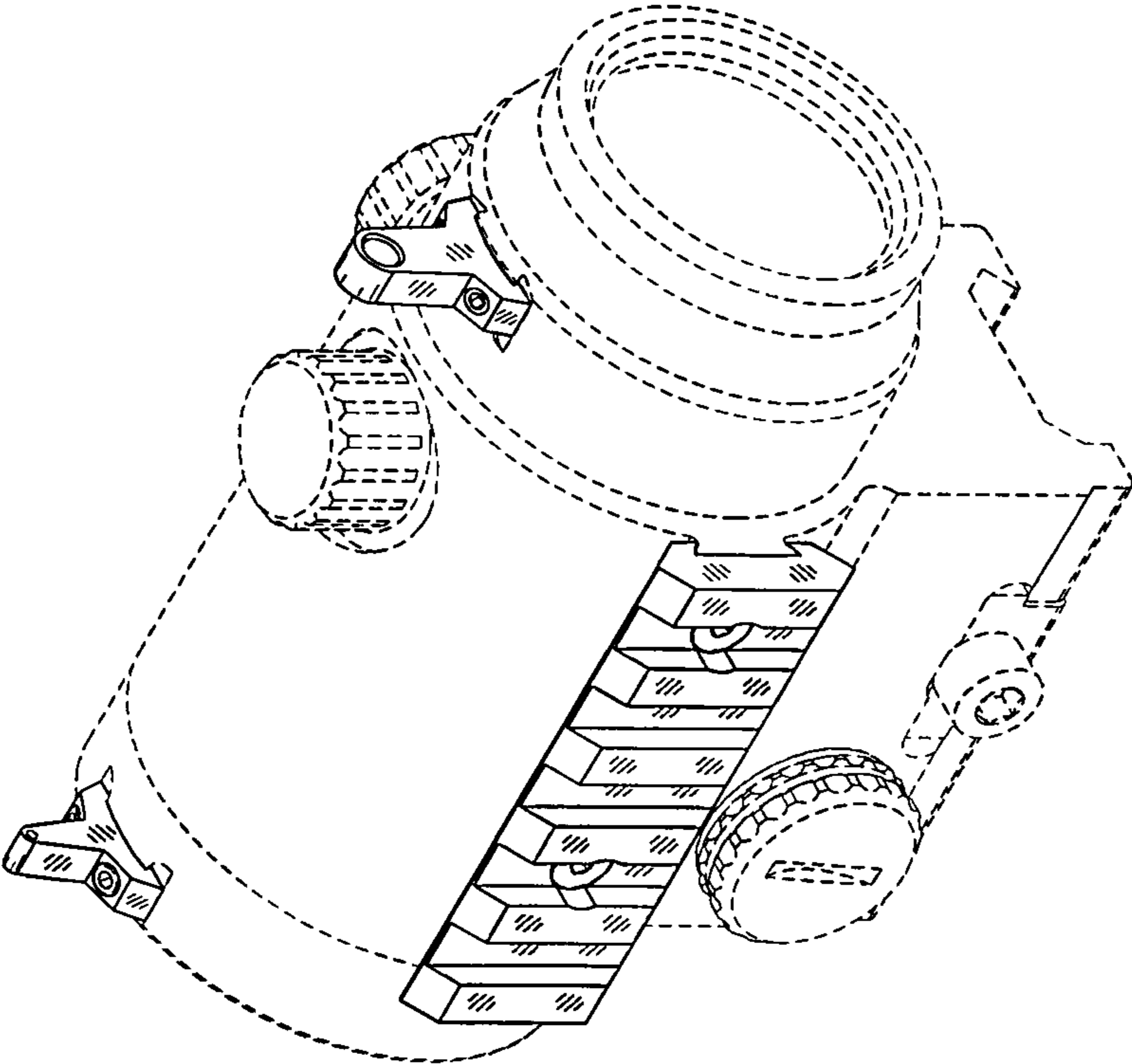


FIG.1

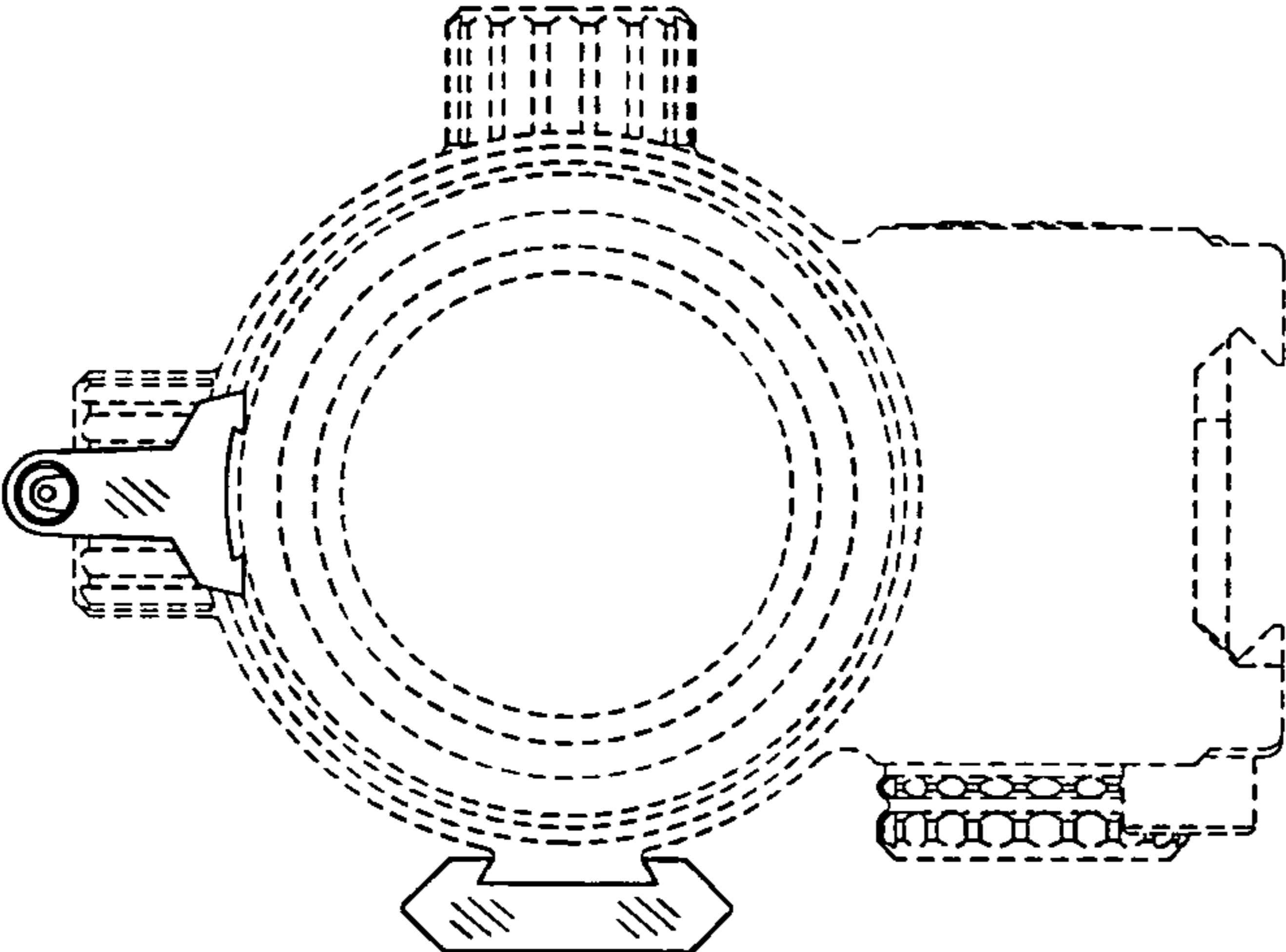


FIG.2

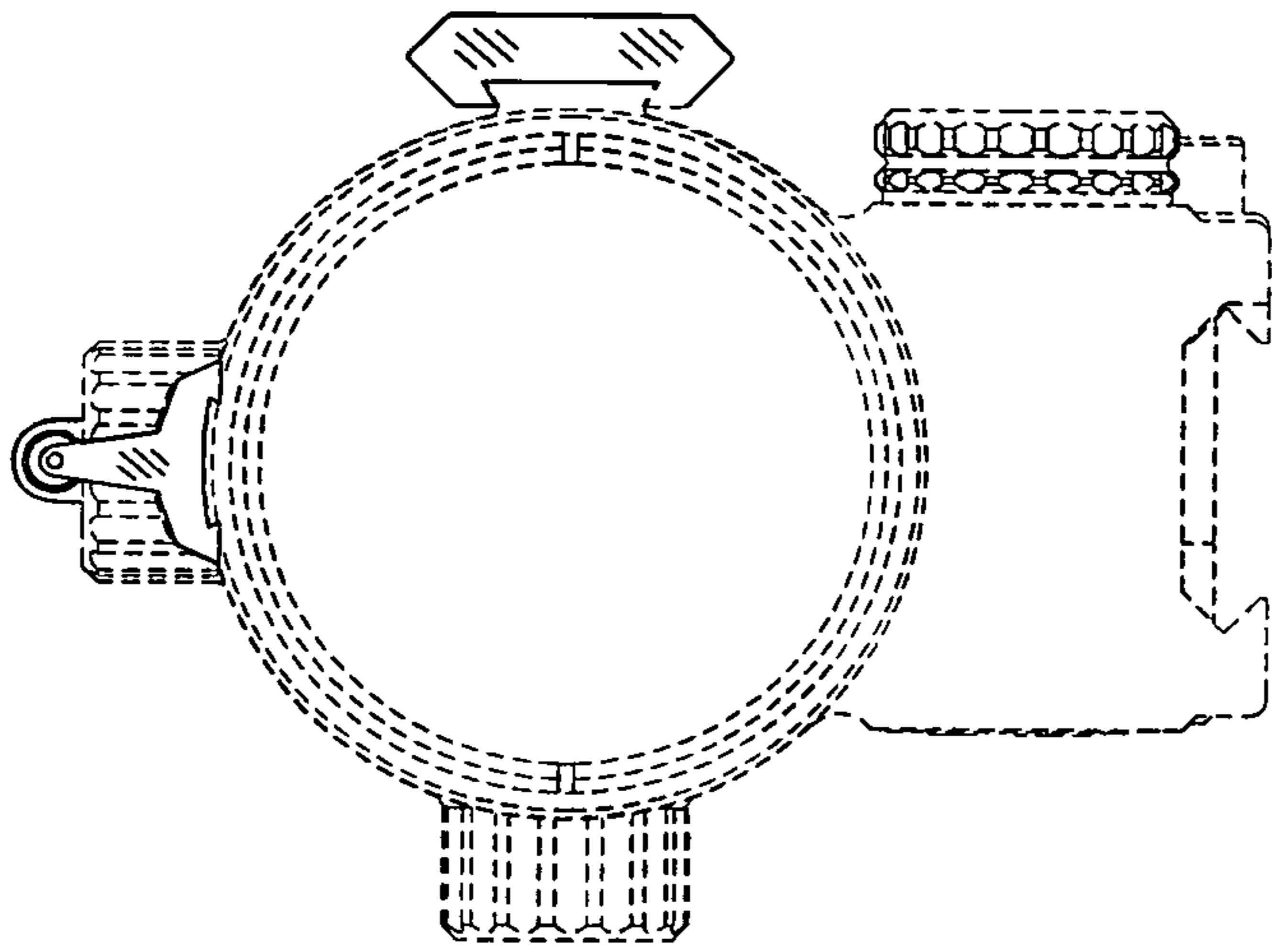


FIG. 3

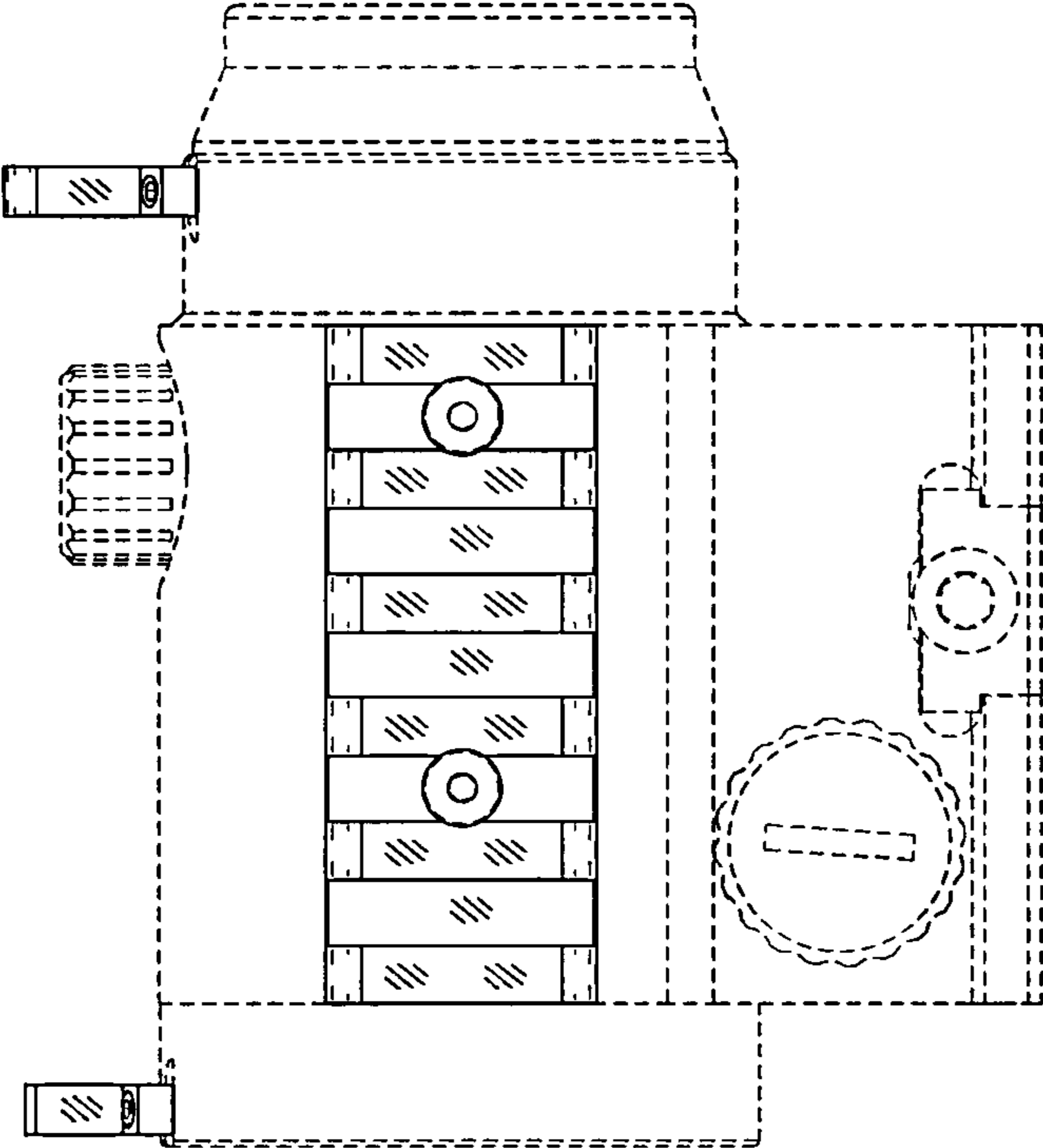


FIG.4

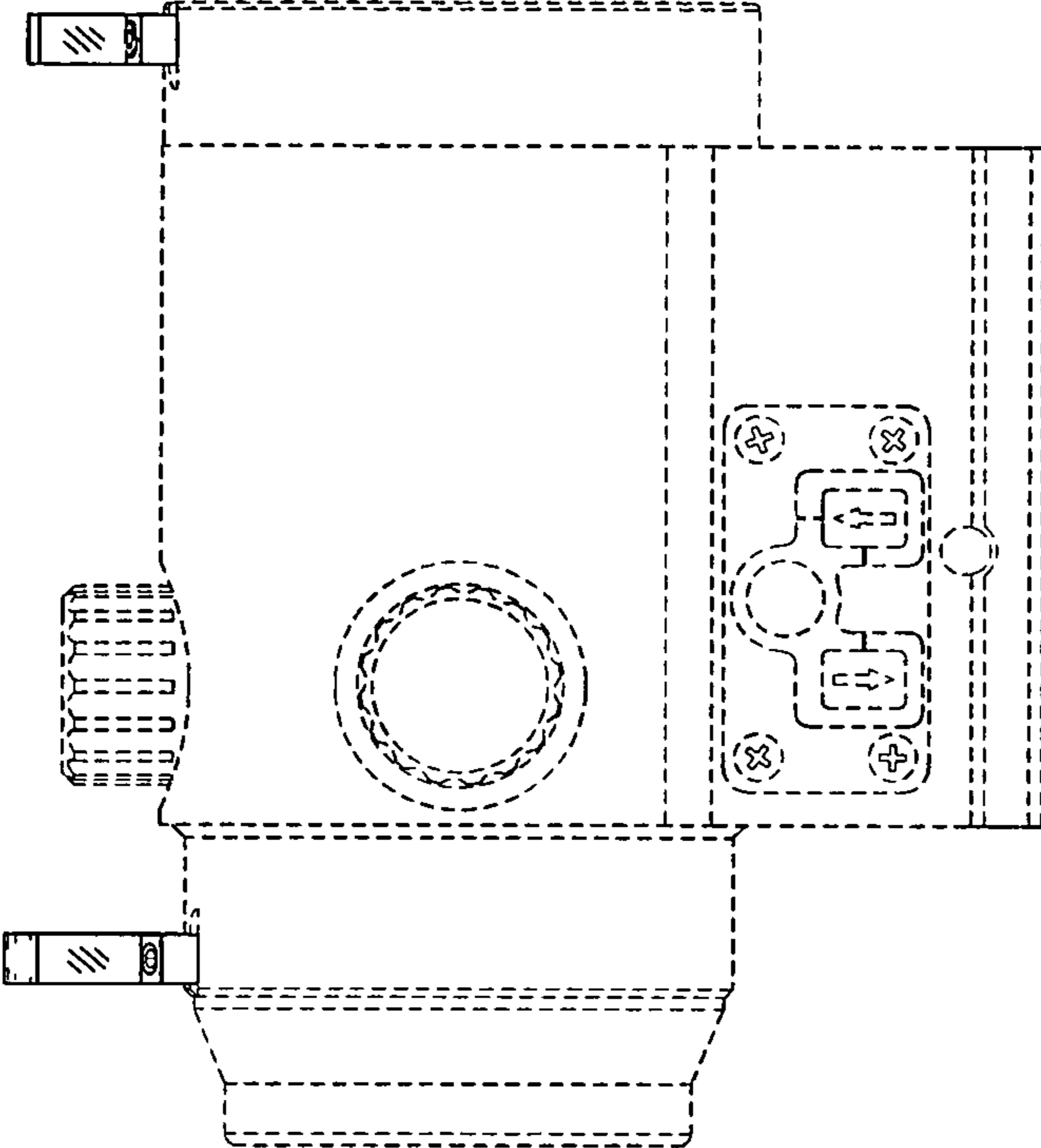


FIG. 5

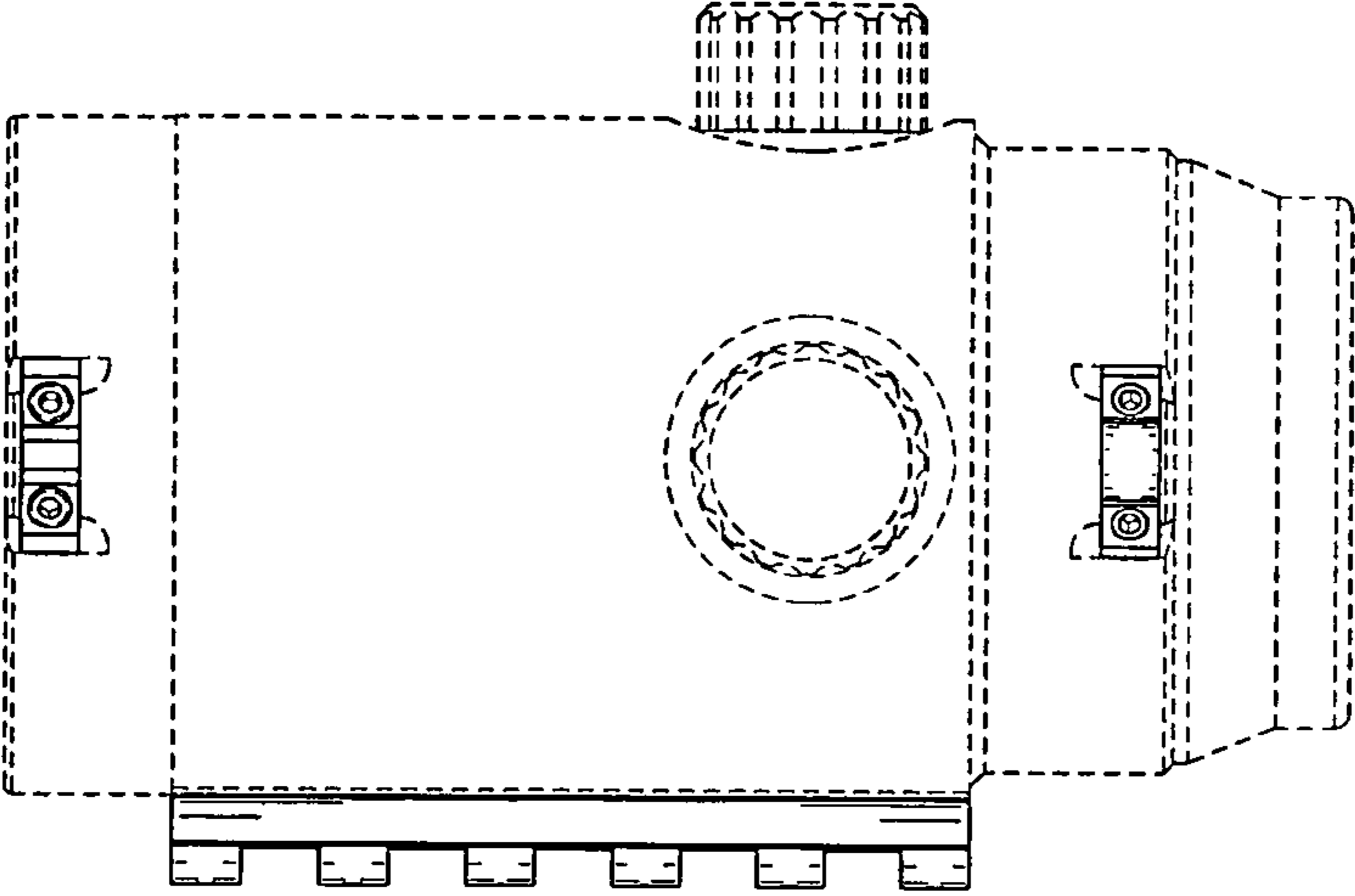


FIG.6

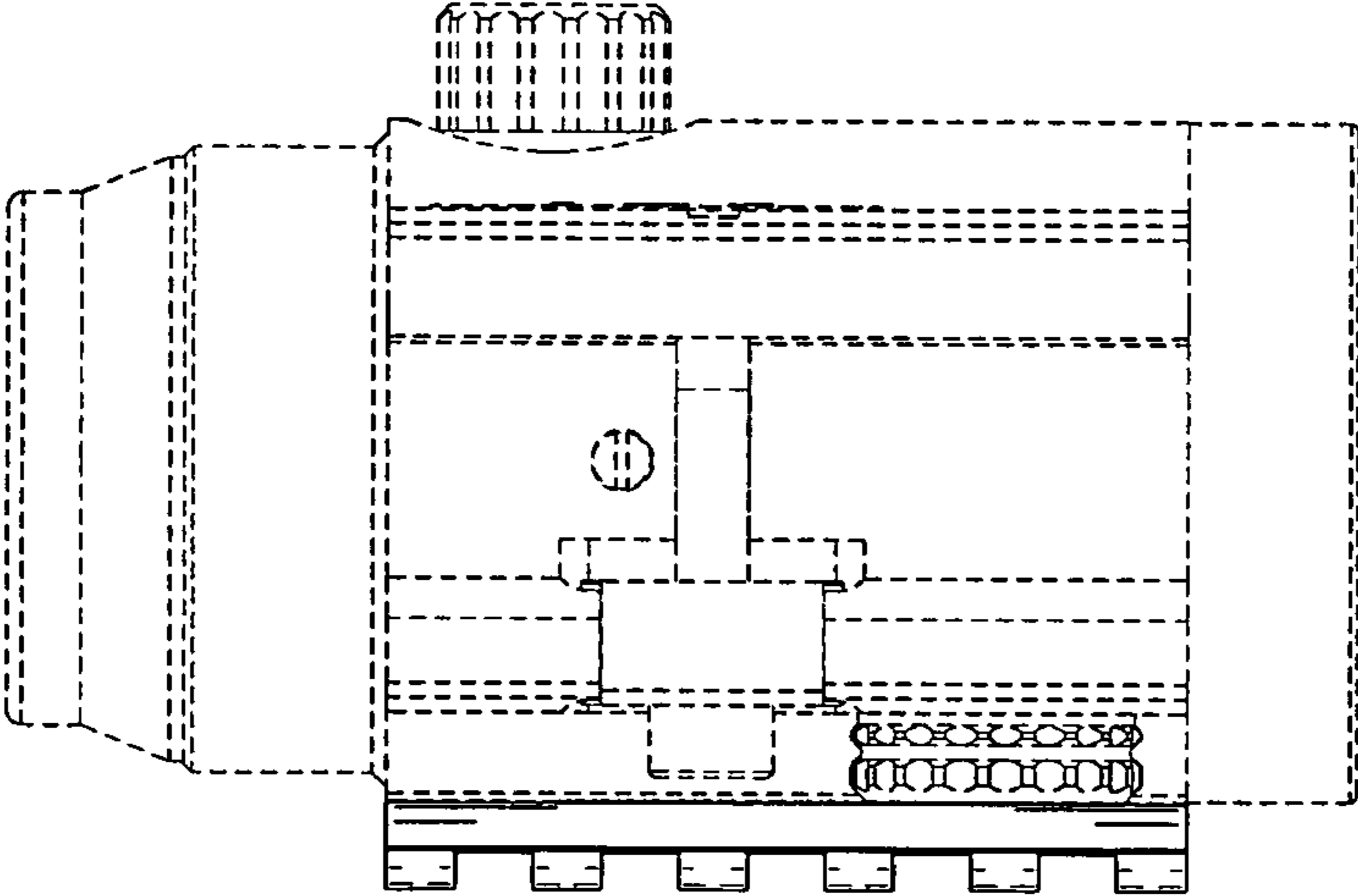


FIG. 7

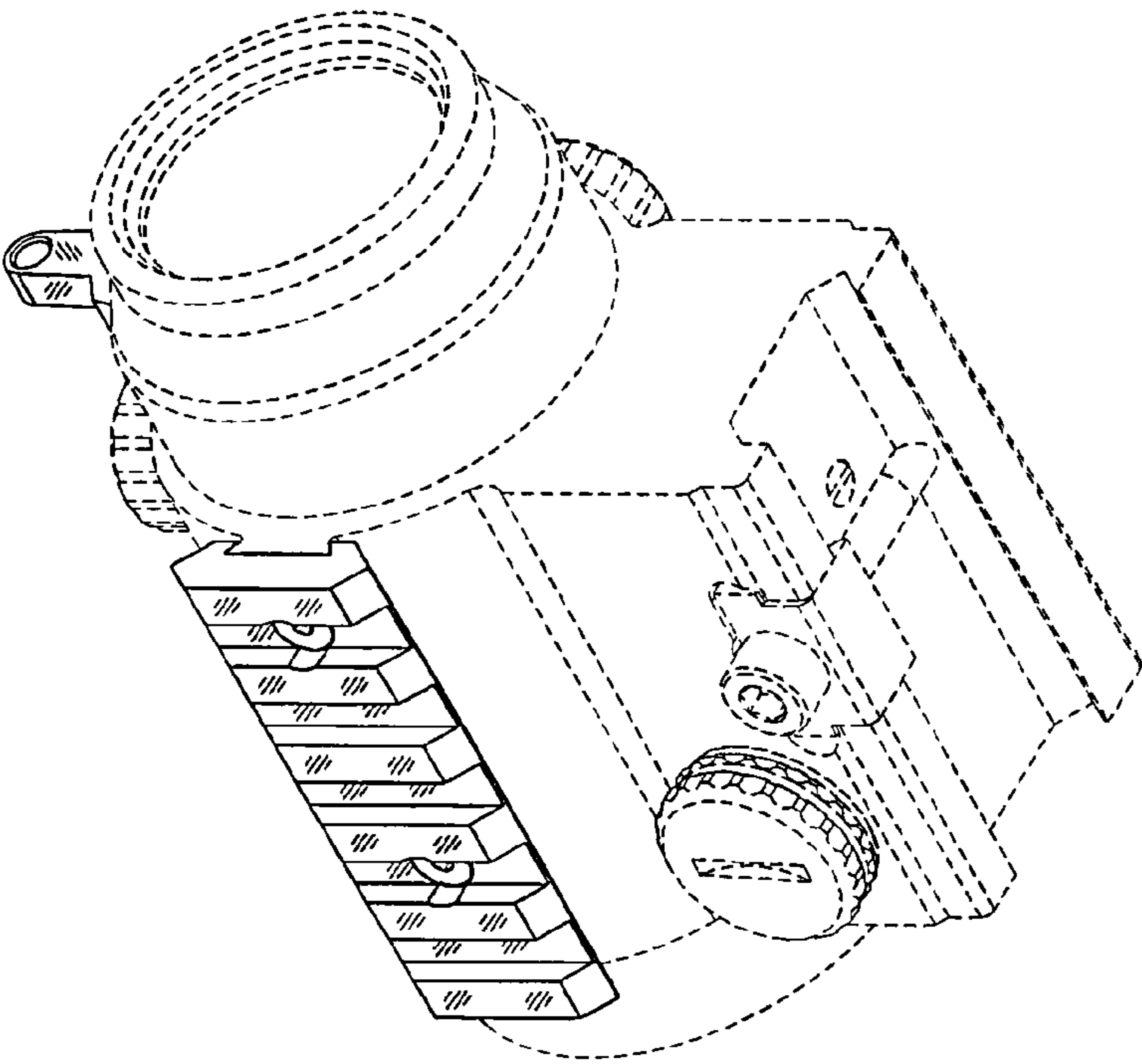


FIG. 8