



US00D710966S

(12) **United States Design Patent**  
**Barfoot et al.**

(10) **Patent No.:** **US D710,966 S**

(45) **Date of Patent:** **\*\* Aug. 12, 2014**

(54) **FIREARM GRIP PANEL PAIR**

(71) Applicant: **Magpul Industries Corporation**, Erie, CO (US)

(72) Inventors: **Grady Barfoot**, Denver, CO (US);  
**Duane Liptak**, Erie, CO (US); **Michael T. Mayberry**, Denver, CO (US);  
**Richard Fitzpatrick**, Longmont, CO (US)

(73) Assignee: **Magpul Industries Corporation**, Erie, CO (US)

(\*\*) Term: **14 Years**

(21) Appl. No.: **29/453,134**

(22) Filed: **Apr. 25, 2013**

(51) **LOC (10) Cl.** ..... **22-01**

(52) **U.S. Cl.**  
USPC ..... **D22/108**

(58) **Field of Classification Search**  
USPC ..... D22/100, 108, 199; D8/68;  
42/71.01-74; 89/1.42  
See application file for complete search history.

(56) **References Cited**

**U.S. PATENT DOCUMENTS**

D269,895 S \* 7/1983 Bianchi et al. .... D22/104  
D293,357 S \* 12/1987 Ruger et al. .... D22/108

(Continued)

**OTHER PUBLICATIONS**

Images for 1911 Grip Google Search; Images for 1911 grip; Website [Online] Available Website: <http://www.google.com/search?q=1911+grip+images&sourceid=ie7&rls=com.microsoft:en-us:IE-Address&ie=&oe=&rlz=>; Last Update: Live Internet; Accessed on May 17, 2013.

(Continued)

*Primary Examiner* — Michael A Pratt

(74) *Attorney, Agent, or Firm* — Swanson & Bratschun, L.L.C.

(57) **CLAIM**

The ornamental design for the firearm grip panel pair, as shown and described.

**DESCRIPTION**

FIG. 1 is a right, front, top perspective view of a right side firearm grip panel of a pair of right and left side firearm grip panels attached to a firearm showing my new design, the left side firearm grip panel not being visible from this view;

FIG. 2 is a left, front, top perspective view of a pair of right and left side firearm grips for a firearm of FIG. 1 with the firearm omitted;

FIG. 3 is a right side elevation view of a right side firearm grip panel of FIG. 1 with the firearm omitted;

FIG. 4 is a left side elevation view of a left side firearm grip panel FIG. 1 with the firearm omitted;

FIG. 5 is a front elevation view of the pair of right and left firearm grip panels for a firearm of FIG. 1 with the firearm omitted;

FIG. 6 is a rear elevation view of the pair of right and left firearm grip panels for a firearm of FIG. 1 with the firearm omitted;

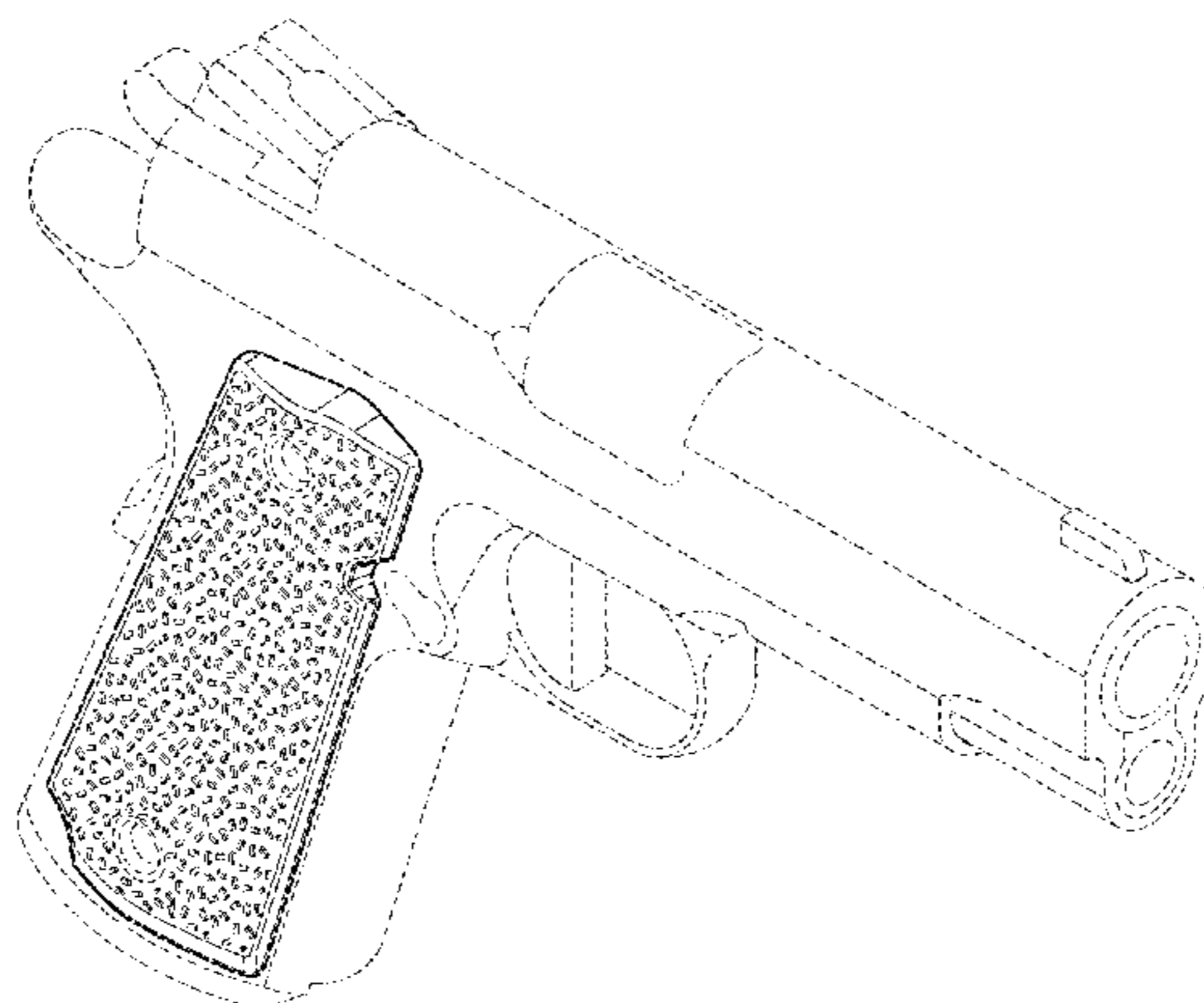
FIG. 7 is a bottom plan view of the of the pair of right and left firearm grip panels for a firearm of FIG. 1 with the firearm omitted; and

FIG. 8 is a top plan view of the pair of right and left firearm grip panels for a firearm of FIG. 1 with the firearm omitted; and,

FIG. 9 is a perspective view of the surface texture of FIG. 1 shown enlarged.

The broken lines showing portions of the design in all figures are included for the purpose of illustrating environment and unclaimed features and forms not part of the claimed design. The relative density and proportions of the surface treatment is accurately illustrated in FIGS. 3 and 4. For practicality FIGS. 1,2 and 5 through 9 shows a token representation of the surface treatment The texture pattern sample illustrated in FIG. 9 is applied uniformly within the area circumscribed for the texture; except in the areas marked out for exclusion from the claim.

**1 Claim, 6 Drawing Sheets**



(56)

**References Cited**

U.S. PATENT DOCUMENTS

D300,057 S \* 2/1989 Ruger et al. .... D22/108  
D335,520 S \* 5/1993 Capone ..... D22/108  
6,860,053 B2 \* 3/2005 Christiansen ..... 42/71.02  
D577,411 S \* 9/2008 Dehart ..... D22/108  
D692,517 S \* 10/2013 Faifer ..... D22/108  
8,584,390 B1 \* 11/2013 Fraher et al. .... 42/71.02  
2004/0064994 A1 \* 4/2004 Luke ..... 42/85  
2006/0272192 A1 \* 12/2006 Zimmermann ..... 42/7

2011/0173861 A1\* 7/2011 Roth ..... 42/71.01  
2013/0125442 A1\* 5/2013 Burress, Jr. .... 42/71.01  
2013/0205635 A1\* 8/2013 Hines et al. .... 42/71.02

OTHER PUBLICATIONS

Magazine Release Thumb Scoop 10-8 Performance Store (2013)  
1911 Grip Panels, Scoop, 5LPI; Website [Online] <http://www.10-8performance.com/1911-grip-panels-scoop-51pi/>; Last Update:  
Unknown; Accessed on May 17, 2013.

\* cited by examiner

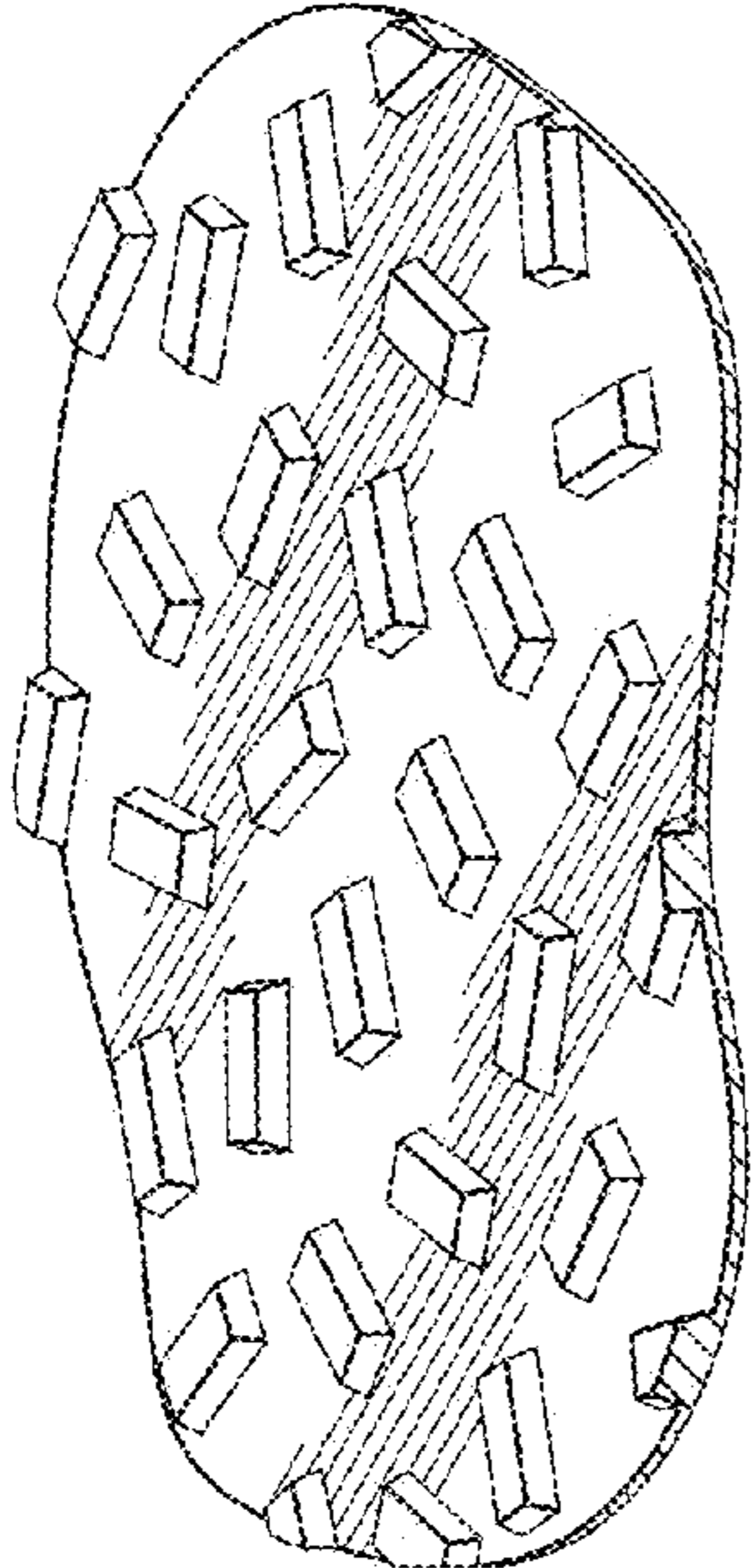


FIG. 9

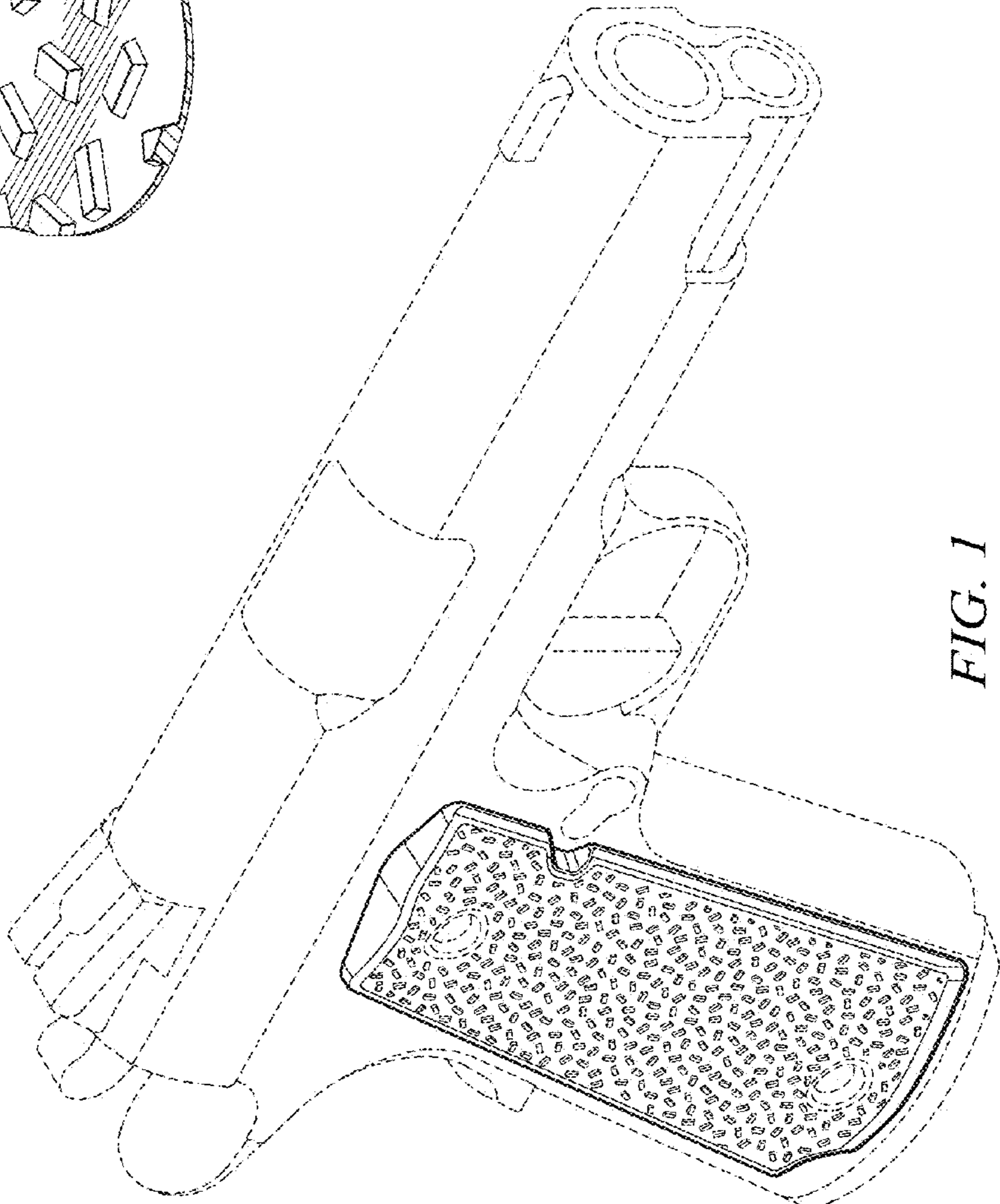


FIG. 1

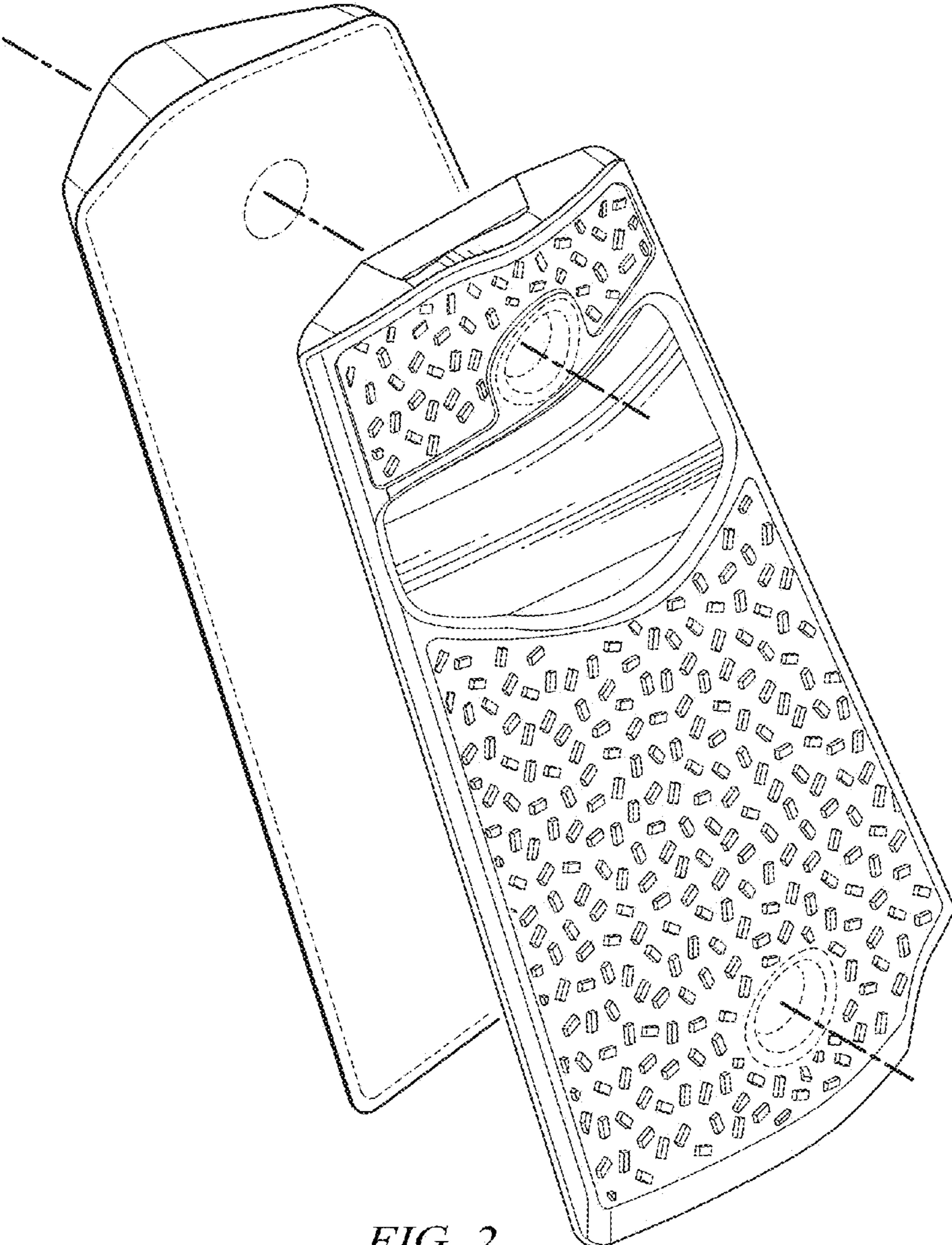


FIG. 2

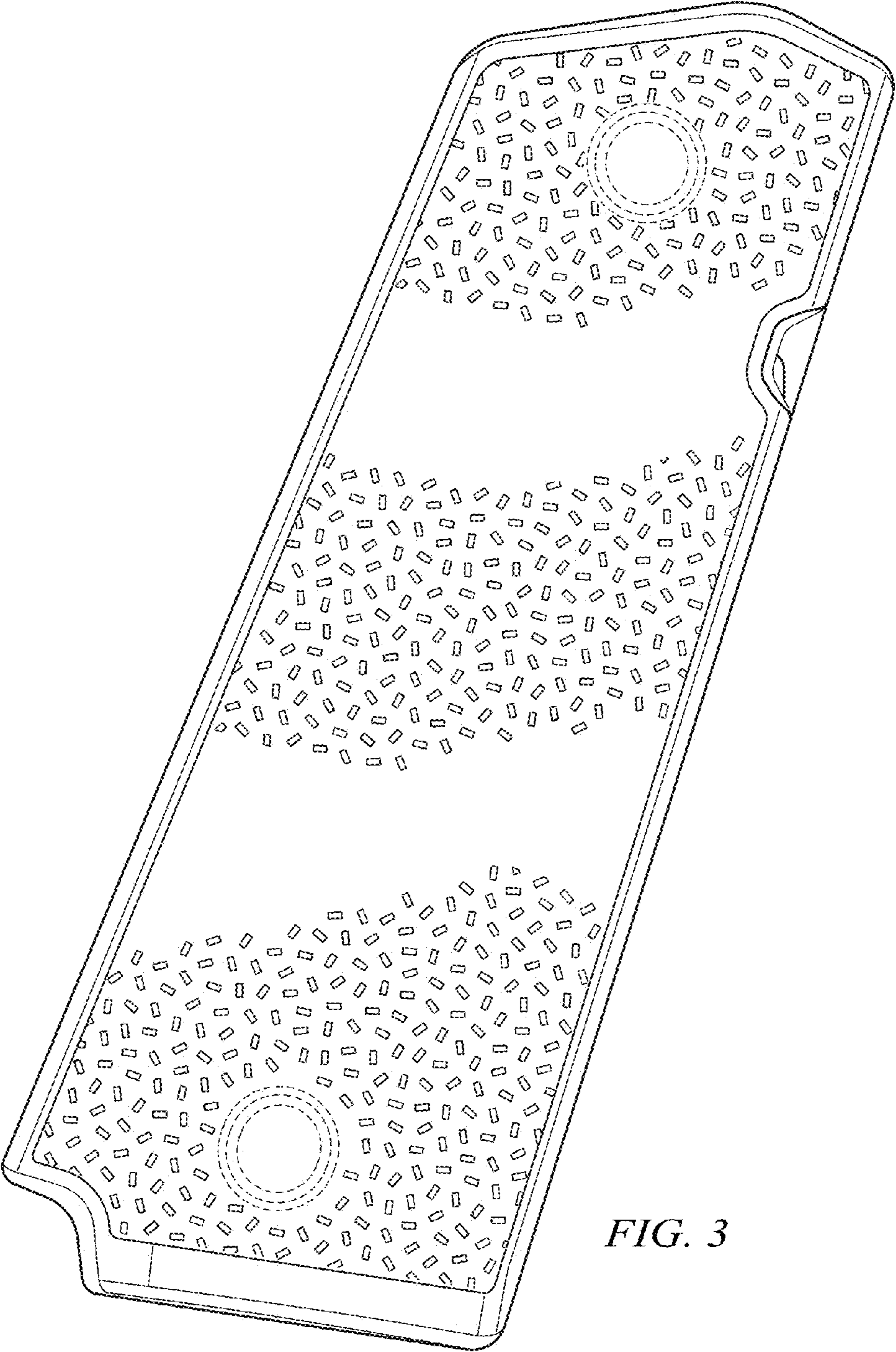


FIG. 3

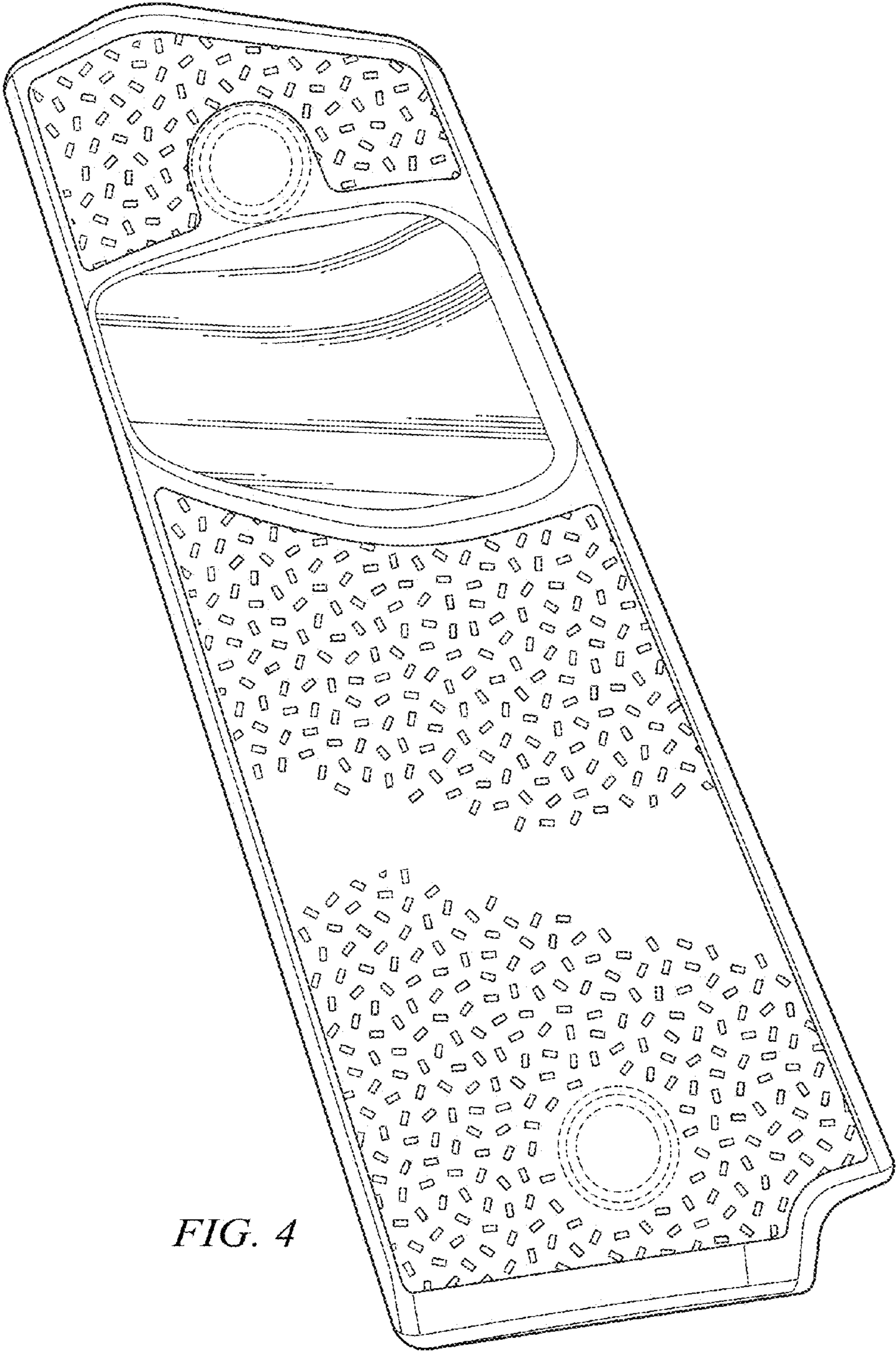


FIG. 4

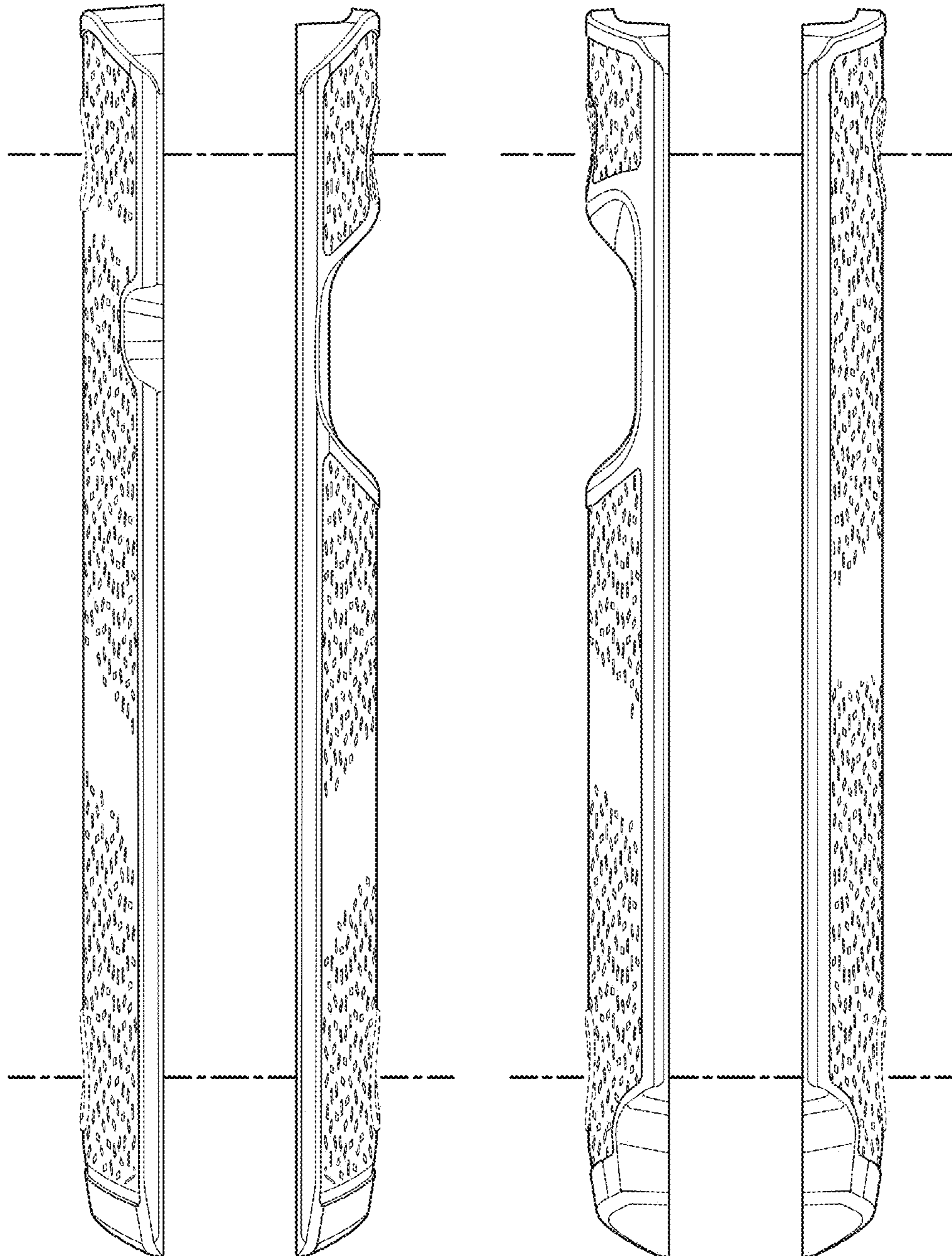


FIG. 5

FIG. 6

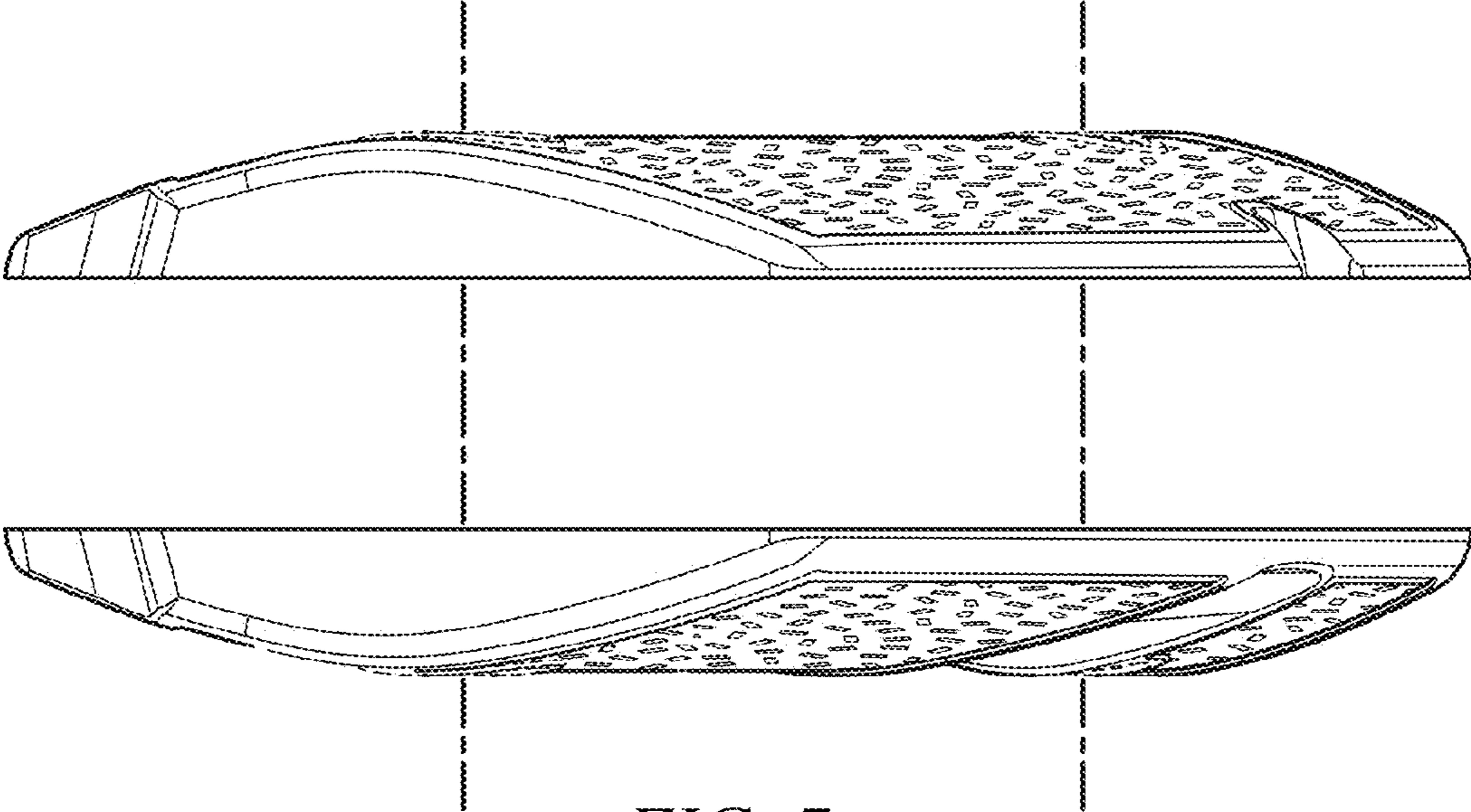


FIG. 7

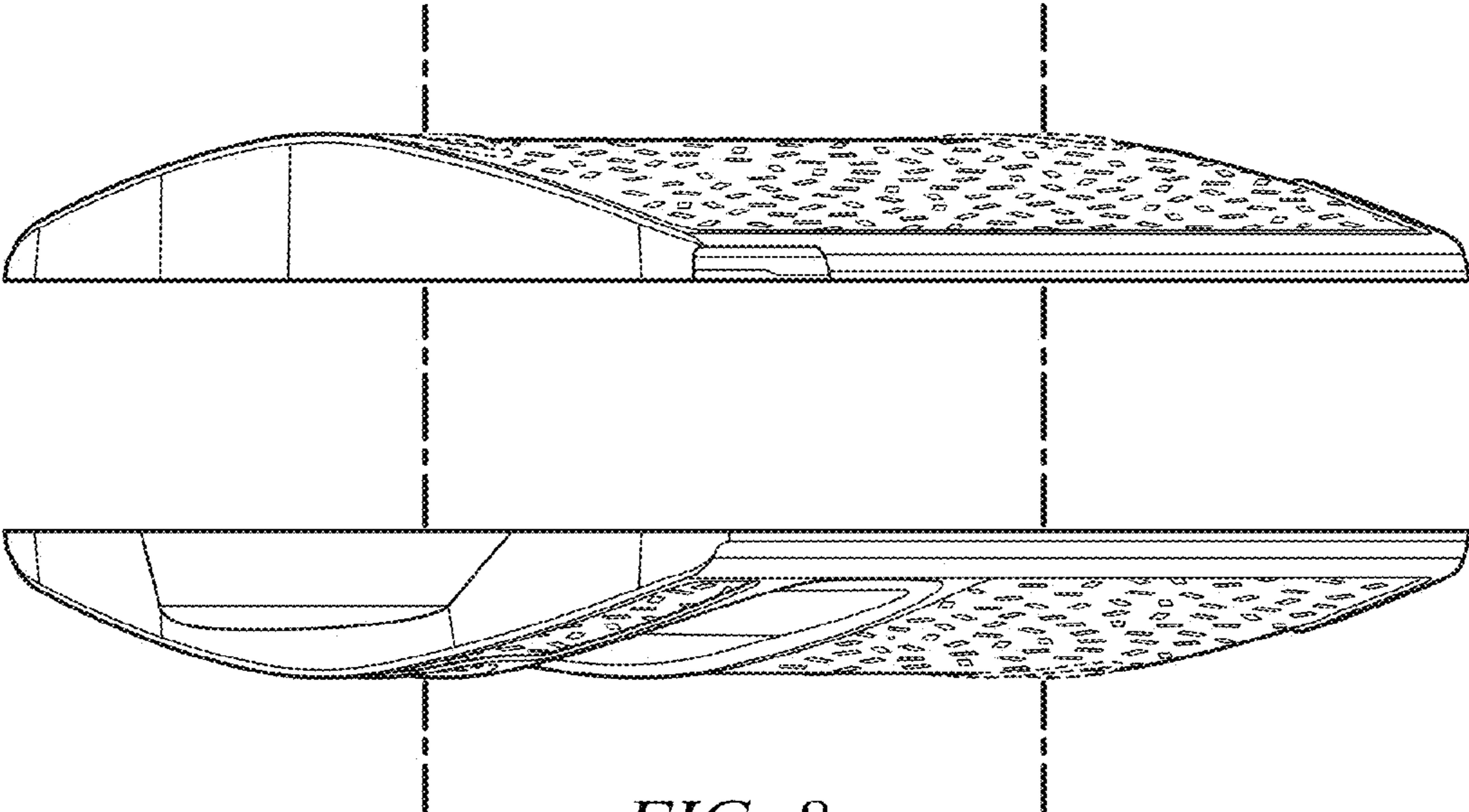


FIG. 8