



US00D710965S

(12) **United States Design Patent**
Eitan et al.

(10) **Patent No.:** **US D710,965 S**

(45) **Date of Patent:** **** Aug. 12, 2014**

(54) **LIGHT MOUNT FOR A FIREARM**

(71) Applicant: **Magpul Industries Corporation**, Erie, CO (US)

(72) Inventors: **Yehezkel Eitan**, Fort Lupton, CO (US); **Brad Bennett**, Lafayette, CO (US); **Michael T. Mayberry**, Denver, CO (US); **Richard Fitzpatrick**, Longmont, CO (US); **Duane Liptak**, Longmont, CO (US); **Jeremy Fiester**, Louisville, CO (US); **Grady Barfoot**, Denver, CO (US)

(73) Assignee: **Magpul Industries Corporation**, Erie, CO (US)

(**) Term: **14 Years**

(21) Appl. No.: **29/452,373**

(22) Filed: **Apr. 16, 2013**

(51) **LOC (10) Cl.** **22-01**

(52) **U.S. Cl.**
USPC **D22/108**

(58) **Field of Classification Search**
USPC D22/108-109; 42/123-124, 127, 42/131-132, 146; D26/24-27, 38, 40, 42, D26/46-47, 51, 60, 113, 118, 130-133, D26/136; 362/110-120
See application file for complete search history.

(56) **References Cited**

U.S. PATENT DOCUMENTS

2,236,736 A 4/1941 Scott
2,314,061 A 3/1943 Whaley
5,040,322 A * 8/1991 Iturrey, Jr. 42/146

(Continued)

OTHER PUBLICATIONS

ImpactWeaponsComponent_com_2012_Light_Mount
ImpactWeaponsComponent.com (2012) Light Mount; Website

[Online] Available Web site: <http://www.impactweaponscomponents.com/category/mount-n-slot/light-mount/>; Last Update: Unknown; Accessed on: Jan. 4, 2012.

(Continued)

Primary Examiner — Michael A Pratt
(74) *Attorney, Agent, or Firm* — Swanson & Bratschun, L.L.C.

(57) **CLAIM**

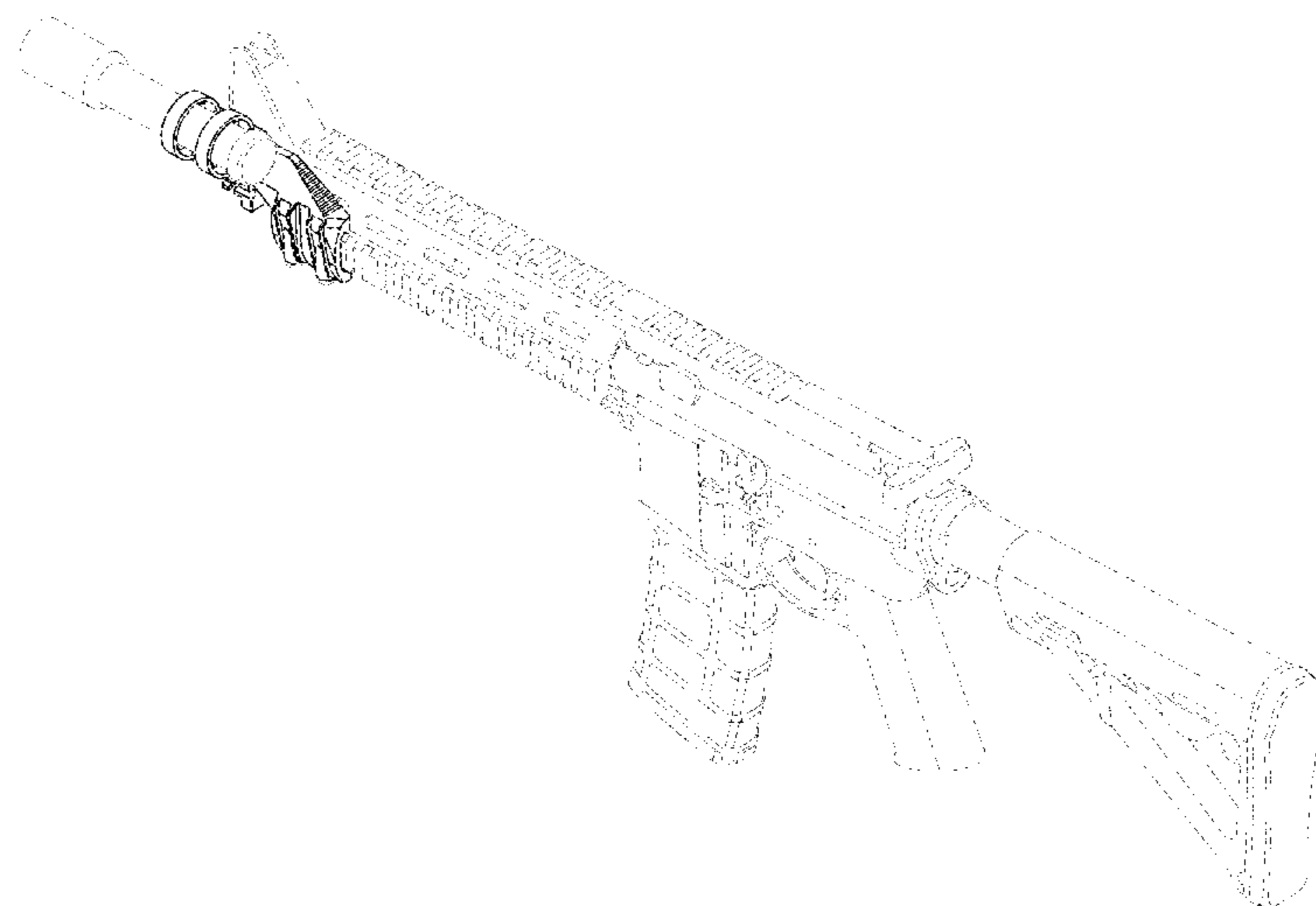
The ornamental design for a light mount for a firearm, as shown and described.

DESCRIPTION

FIG. 1 is a left, rear, top perspective view of a light mount for a firearm attached to a firearm showing my new design; FIG. 2 is a left, rear, top perspective view of the light mount for a firearm of FIG. 1 with the firearm omitted; FIG. 3 is a rear elevation view of the light mount for a firearm of FIG. 1; FIG. 4 is a front elevation view of the light mount for a firearm of FIG. 1; FIG. 5 is a left side elevation view of the light mount for a firearm of FIG. 1; FIG. 6 is a right side elevation view of the light mount for a firearm of FIG. 1; FIG. 7 is a top plan view of the light mount for a firearm of FIG. 1; FIG. 8 is a bottom plan view of the light mount for a firearm of FIG. 1; FIG. 9 is a left, front top view of the light mount for a firearm of FIG. 1; and, FIG. 10 is a right, front, bottom view of the light mount for a firearm of FIG. 1.

The broken lines showing portions of the design in all figures are included for the purpose of illustrating environment and unclaimed features and forms not part of the claimed design.

1 Claim, 8 Drawing Sheets



(56)

References Cited

U.S. PATENT DOCUMENTS

7,134,234 B1 11/2006 Makarounis
7,441,364 B2 * 10/2008 Rogers et al. 42/146
7,562,484 B2 * 7/2009 Kim 42/114
8,132,355 B1 3/2012 Kincaid
8,220,946 B1 * 7/2012 Teetzel 362/110
8,312,668 B2 * 11/2012 Kincel 42/146
8,316,574 B1 * 11/2012 Swan 42/146
D673,638 S * 1/2013 Mayberry et al. D22/108
2006/0026888 A1 2/2006 Cheng
2007/0240355 A1 10/2007 Hsu
2010/0122485 A1 5/2010 Kincel

2010/0164401 A1 7/2010 Matthews
2011/0047850 A1 3/2011 Rievley
2011/0067287 A1 3/2011 Collin
2012/0180370 A1 * 7/2012 McKinley 42/146
2014/0082991 A1 * 3/2014 Clark 42/146

OTHER PUBLICATIONS

Surefire_com_2012_Dedicated_Forend_WaponLights Surefire.
com (2012) Rifle, SMG Forend Weapon Lights; Website [Online]
Available Web Site: [http://www.surefire.com/
DedicatedForendWeaponLights](http://www.surefire.com/DedicatedForendWeaponLights); Last Update: Unknown; Accessed
on: Jan. 4, 2012.

* cited by examiner

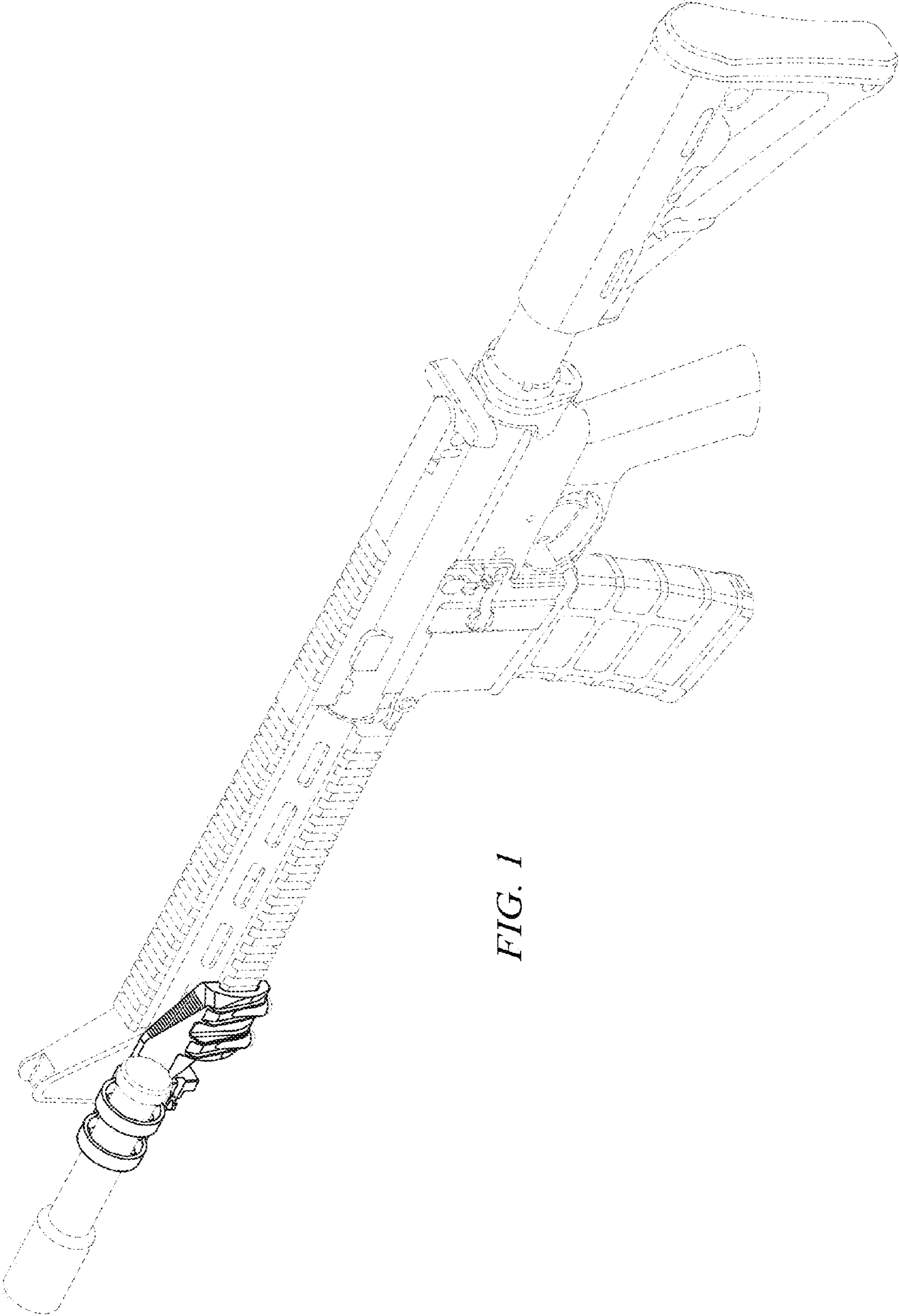


FIG. 1

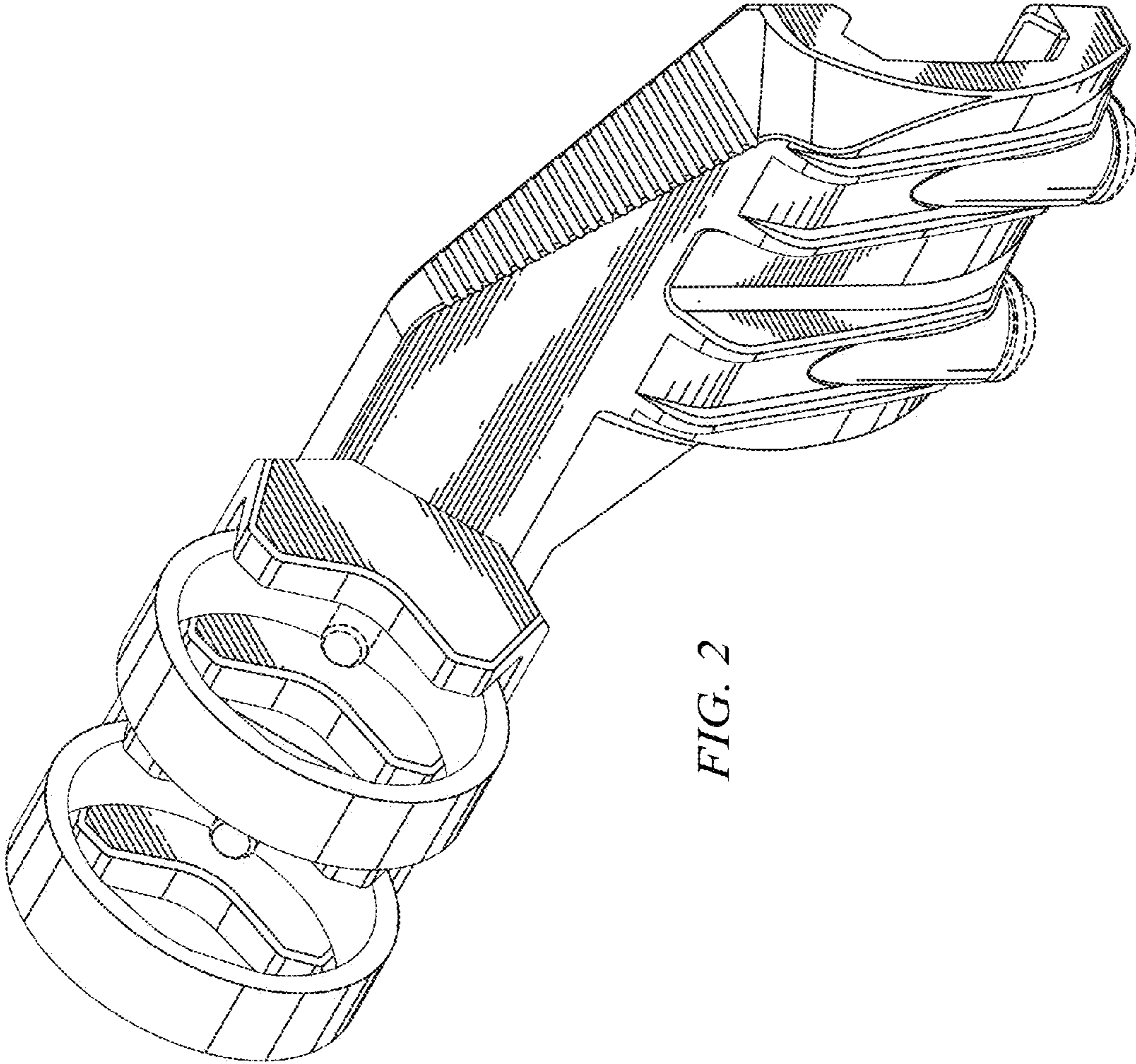


FIG. 2

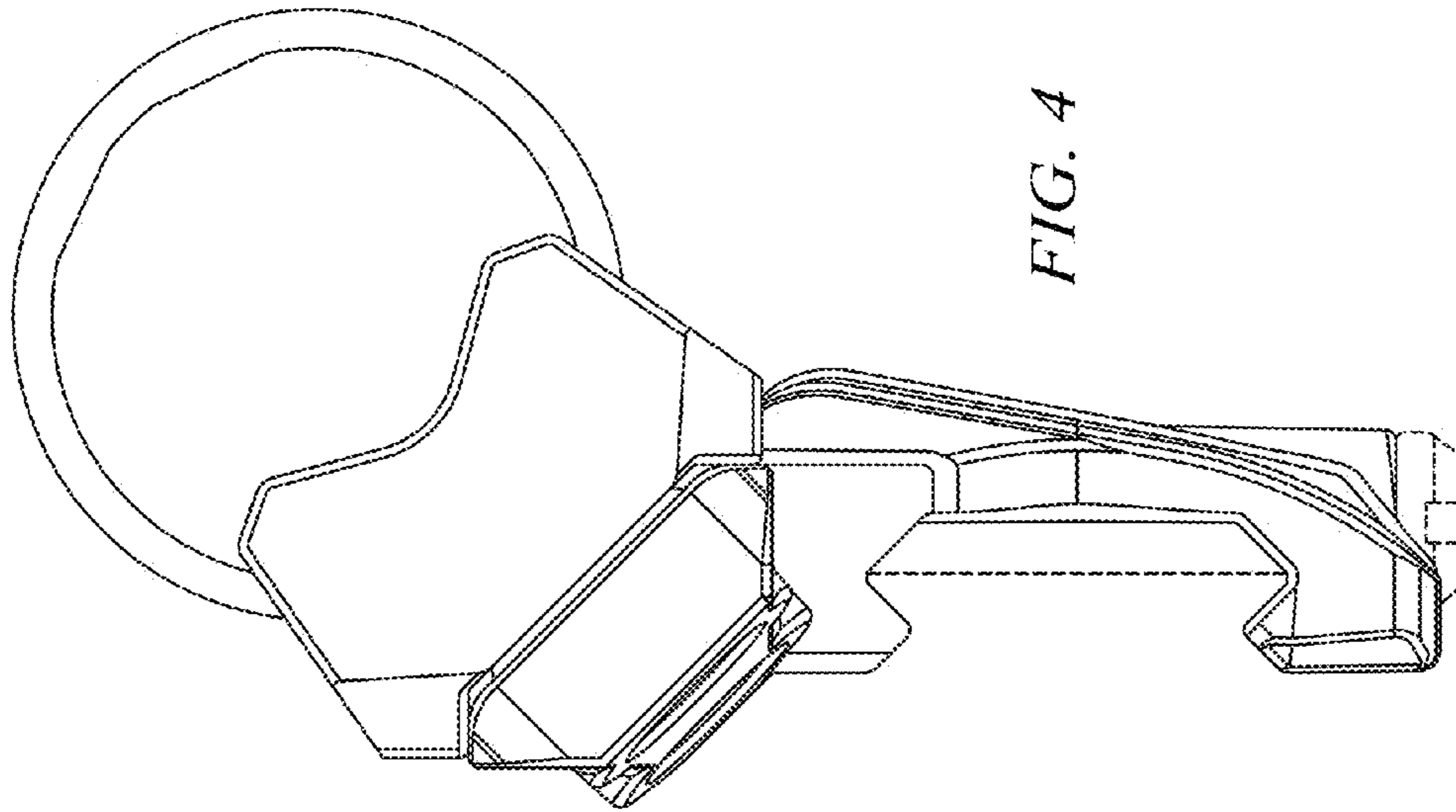


FIG. 4

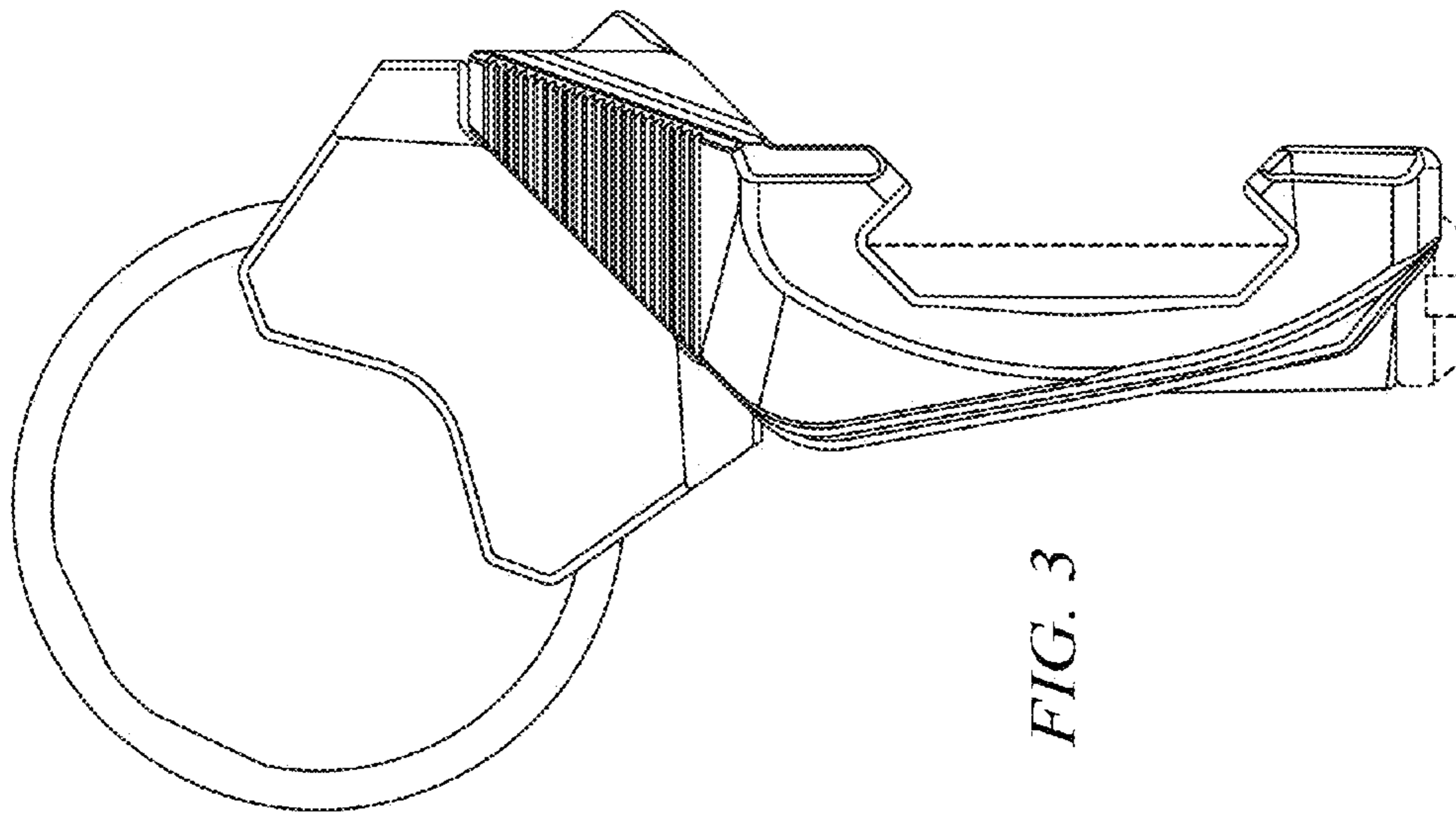


FIG. 3

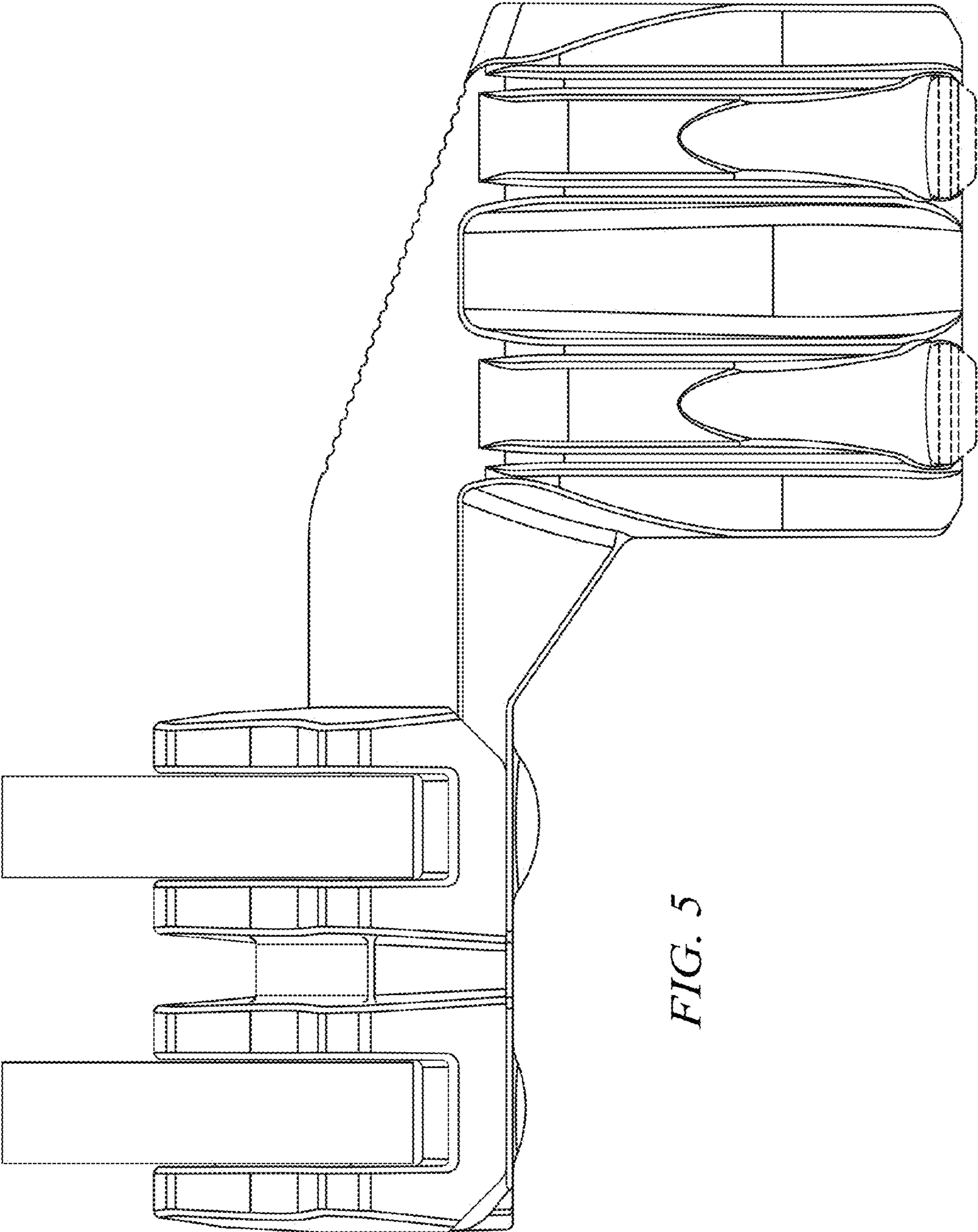


FIG. 5

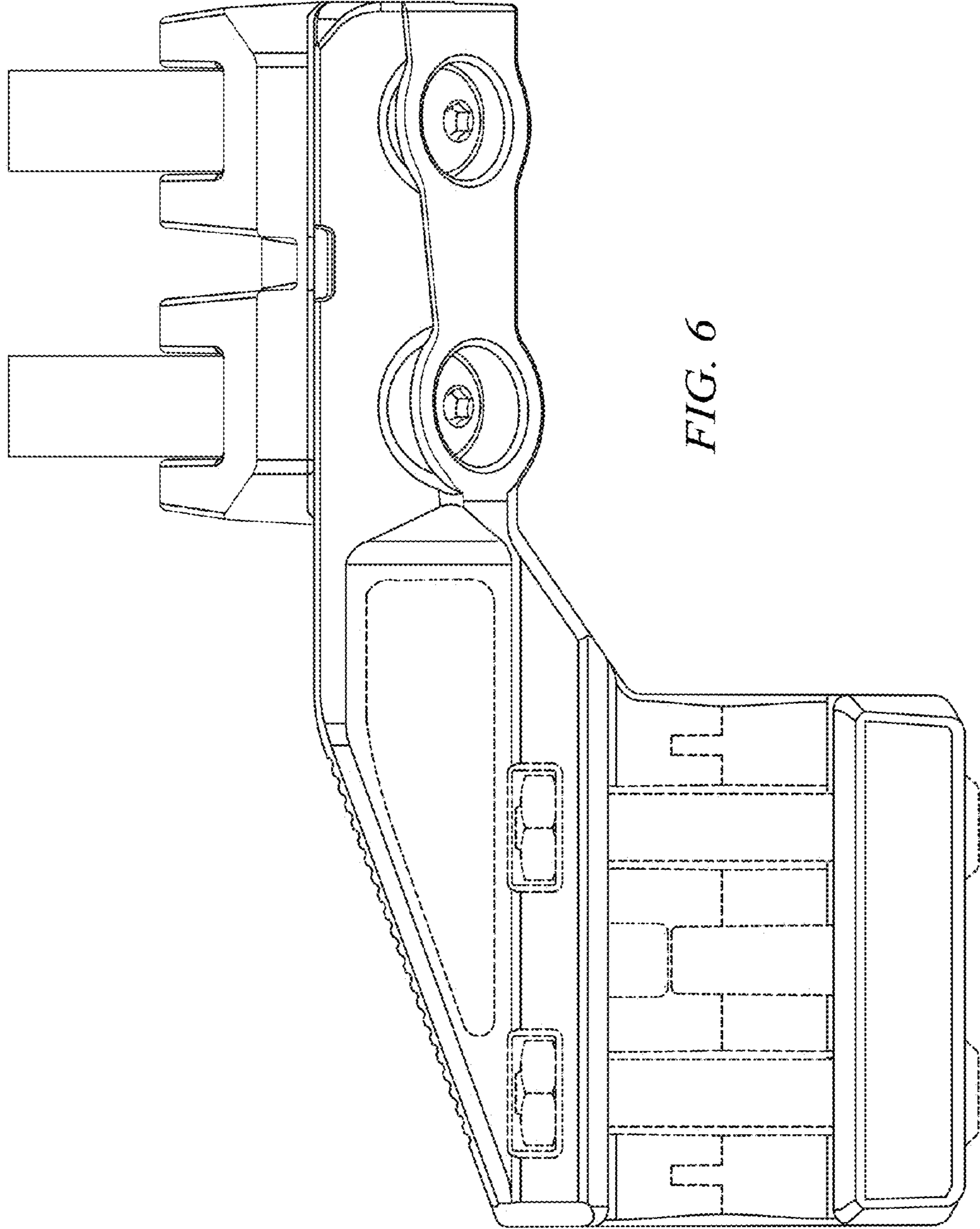


FIG. 6

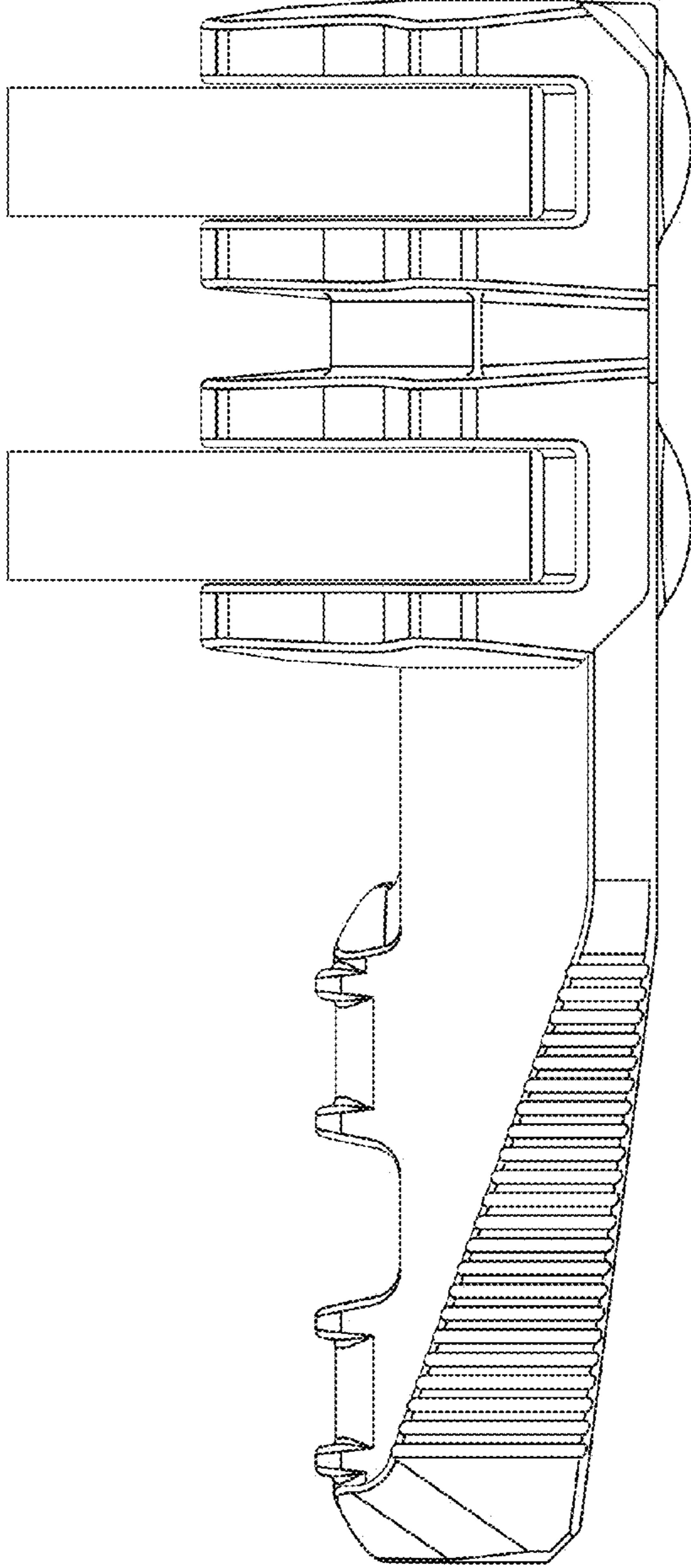


FIG. 7

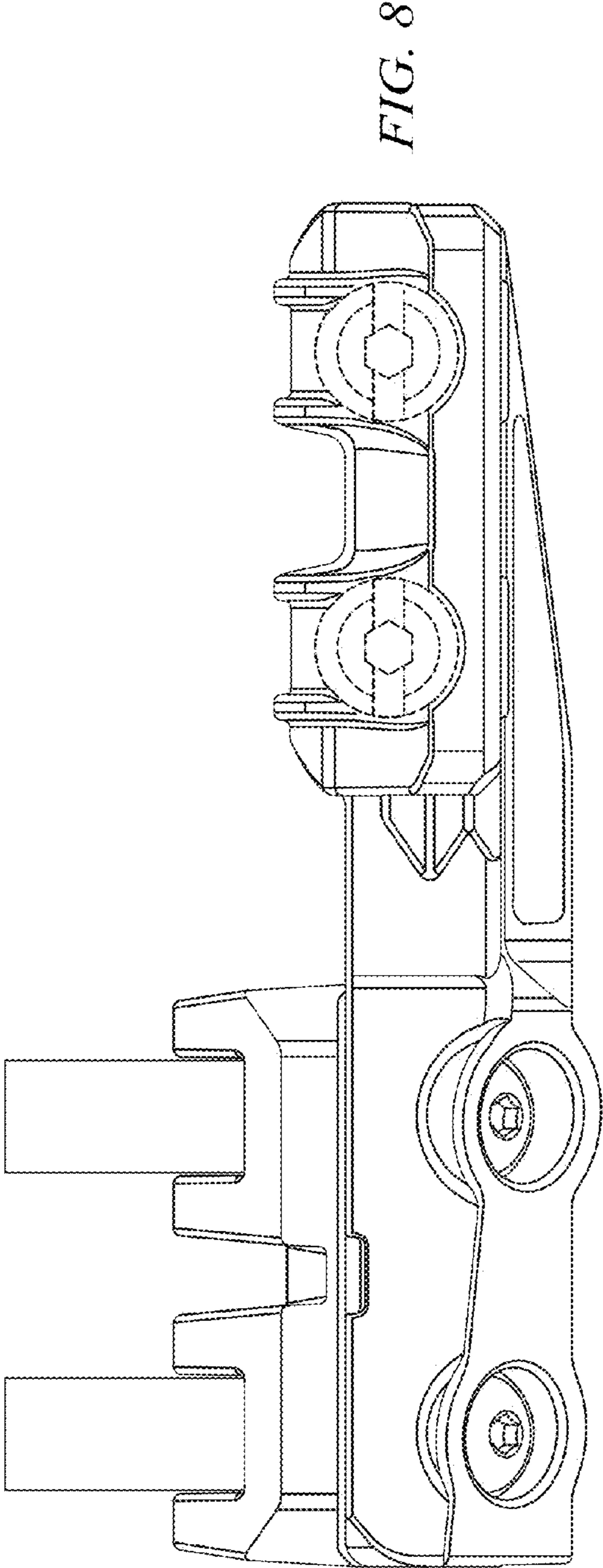


FIG. 8

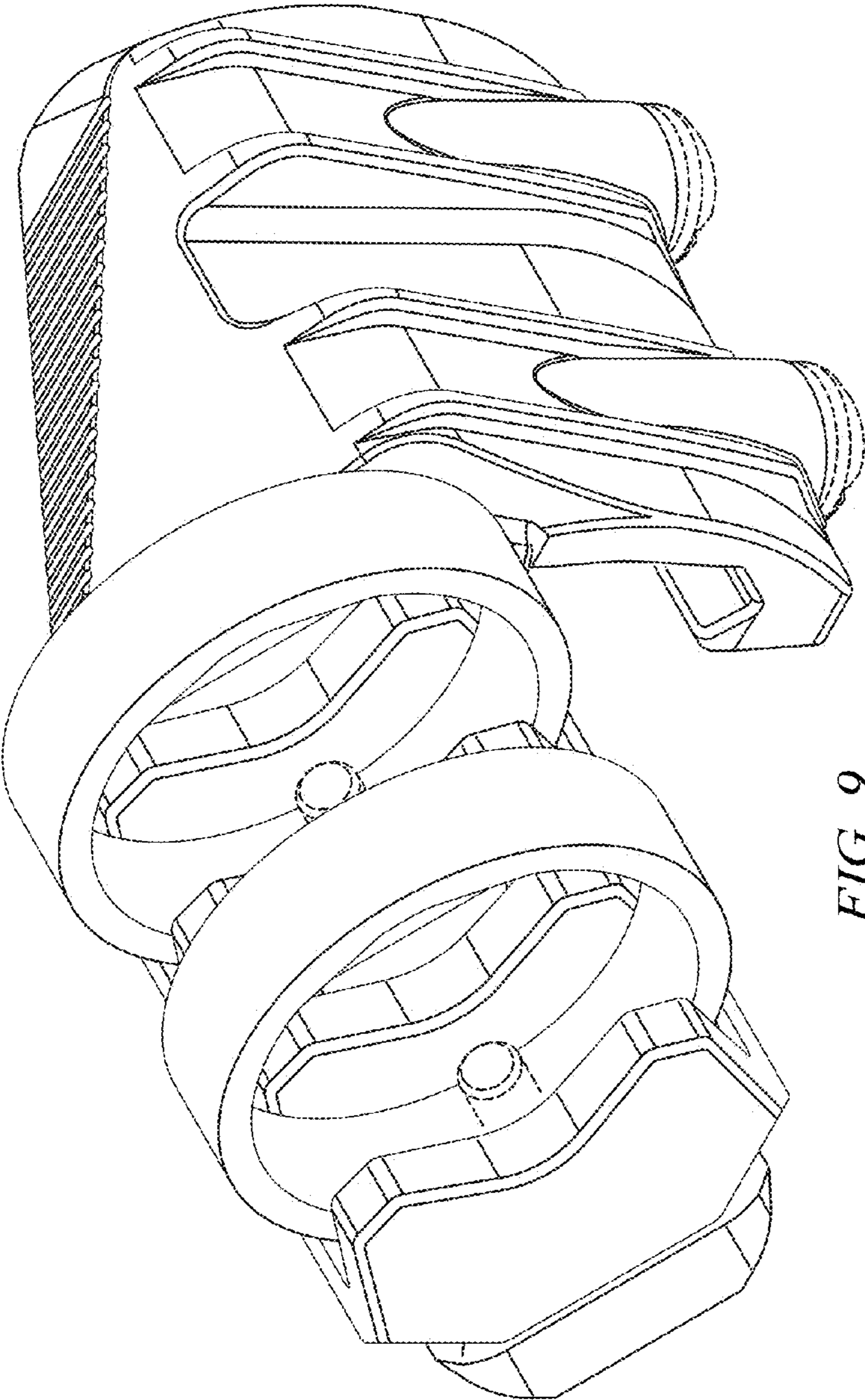


FIG. 9

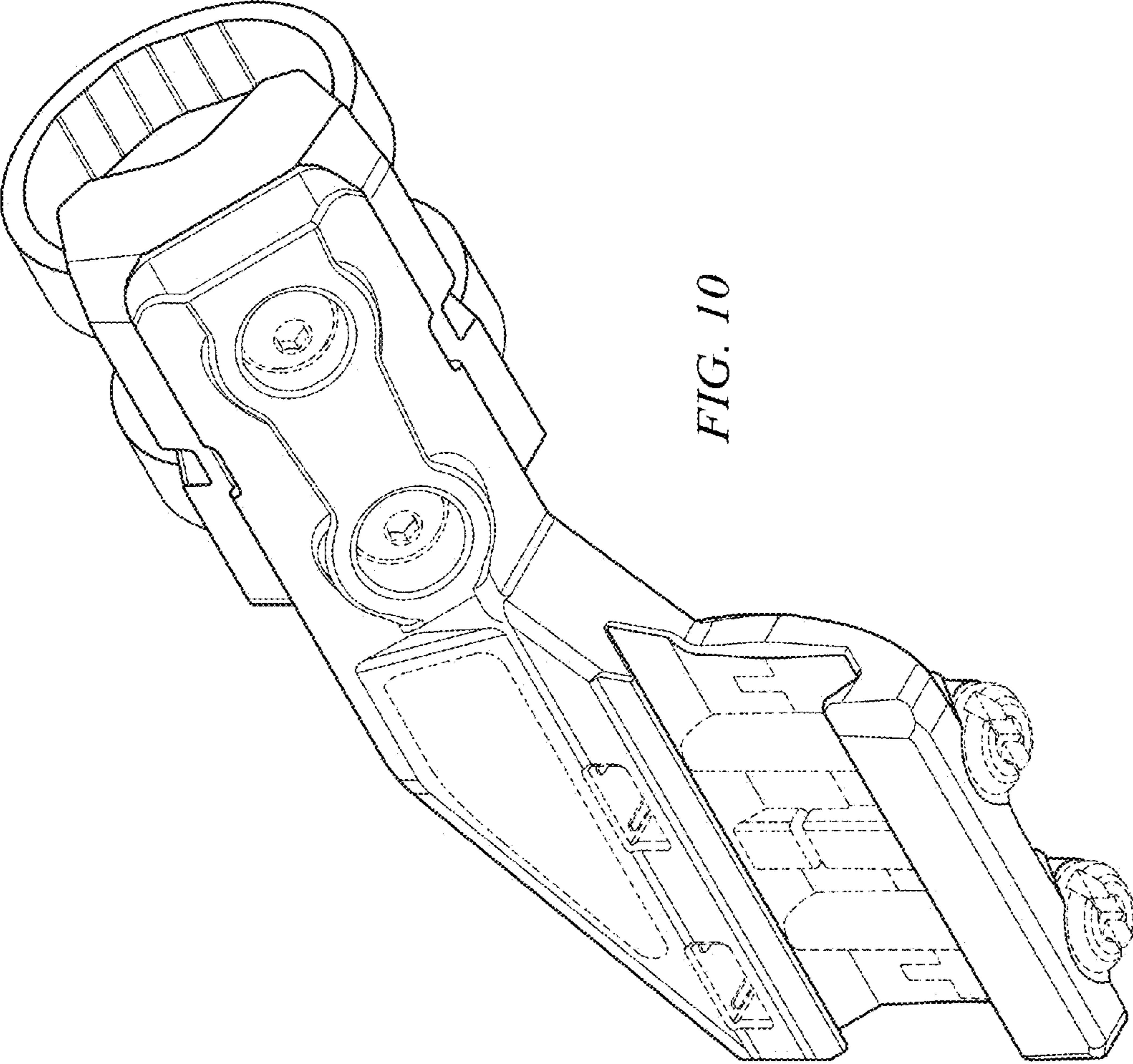


FIG. 10