



US00D710964S

(12) **United States Design Patent**  
**Chvala**

(10) **Patent No.:** **US D710,964 S**

(45) **Date of Patent:** **\*\* Aug. 12, 2014**

(54) **FOREND WITH MOUNTING RAILS**

(71) Applicant: **Advanced Technology International USA, LLC**, Milwaukee, WI (US)

(72) Inventor: **John R. Chvala**, Grafton, WI (US)

(73) Assignee: **ATI IP, LLC**, Cedarburg, WI (US)

(\*\*) Term: **14 Years**

(21) Appl. No.: **29/449,433**

(22) Filed: **Mar. 15, 2013**

(51) **LOC (10) Cl.** ..... **22-01**

(52) **U.S. Cl.**  
USPC ..... **D22/108**

(58) **Field of Classification Search**  
USPC ..... D22/103, 108; 89/40.06, 41.19, 37.04,  
89/33.04, 191.01, 200-204; 42/71.01;  
124/67, 66, 72, 74; D21/572-575  
See application file for complete search history.

(56) **References Cited**

**U.S. PATENT DOCUMENTS**

5,622,000 A \* 4/1997 Marlowe ..... 42/117  
D606,156 S \* 12/2009 Swan ..... D22/108  
D607,958 S \* 1/2010 Swan ..... D22/108  
7,685,758 B2 \* 3/2010 Romer ..... 42/124

D643,086 S \* 8/2011 Peterson et al. .... D22/103  
D645,532 S \* 9/2011 Peterson et al. .... D22/103  
8,215,046 B2 7/2012 Chvala  
8,316,569 B1 11/2012 Chvala  
D674,859 S \* 1/2013 Robbins et al. .... D22/108  
8,615,915 B2 \* 12/2013 Hunter et al. .... 42/72  
8,661,963 B2 \* 3/2014 Patel ..... 89/199  
2005/0217161 A1 \* 10/2005 Haugen et al. .... 42/124

\* cited by examiner

*Primary Examiner* — Michael A Pratt

(74) *Attorney, Agent, or Firm* — Andrus Intellectual Property Law, LLP

(57) **CLAIM**

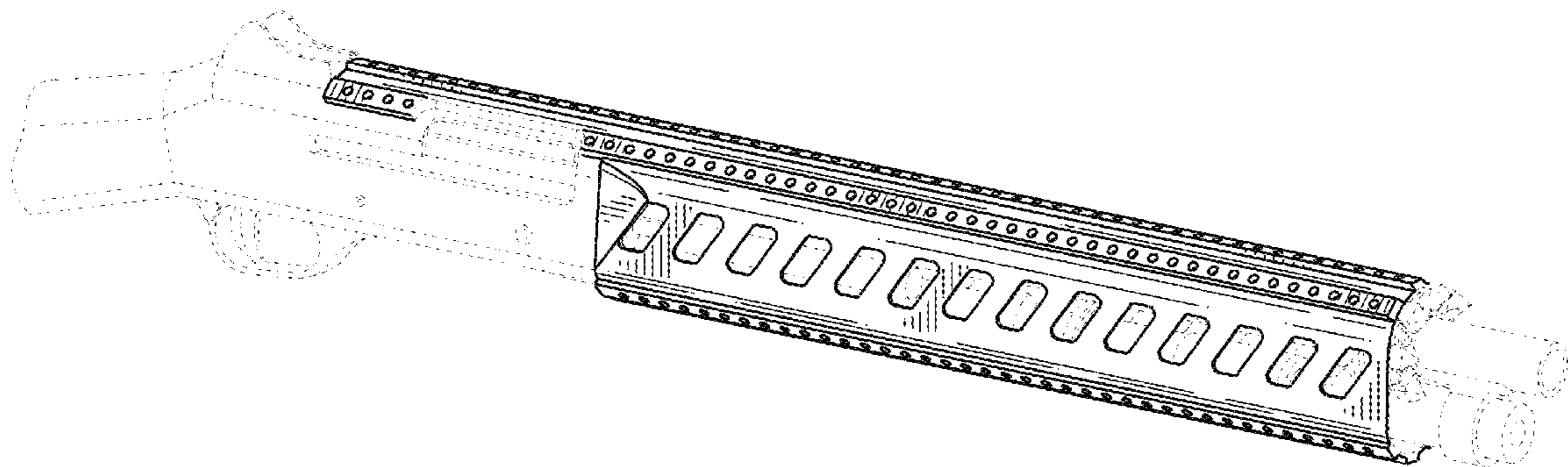
The ornamental design for a forend with mounting rails, as shown and described.

**DESCRIPTION**

FIG. 1 is a top isometric view of a forend incorporating our new design;  
FIG. 2 is a bottom isometric view thereof;  
FIG. 3 is a right side elevation view thereof;  
FIG. 4 is a left side elevation view thereof;  
FIG. 5 is a top plan view thereof;  
FIG. 6 is a bottom plan view thereof;  
FIG. 7 is a front elevation view thereof; and,  
FIG. 8 is a back elevation view thereof.

The broken lines shown in the drawing Figures are meant to illustrate environment and form no part of the claimed design.

**1 Claim, 5 Drawing Sheets**



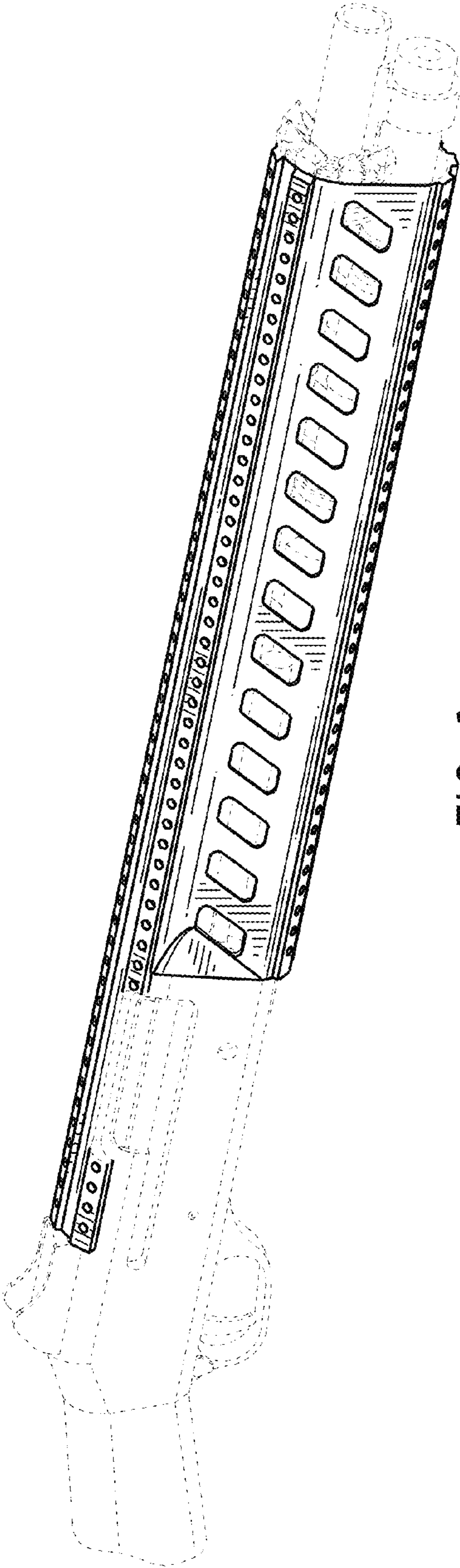


FIG. 1

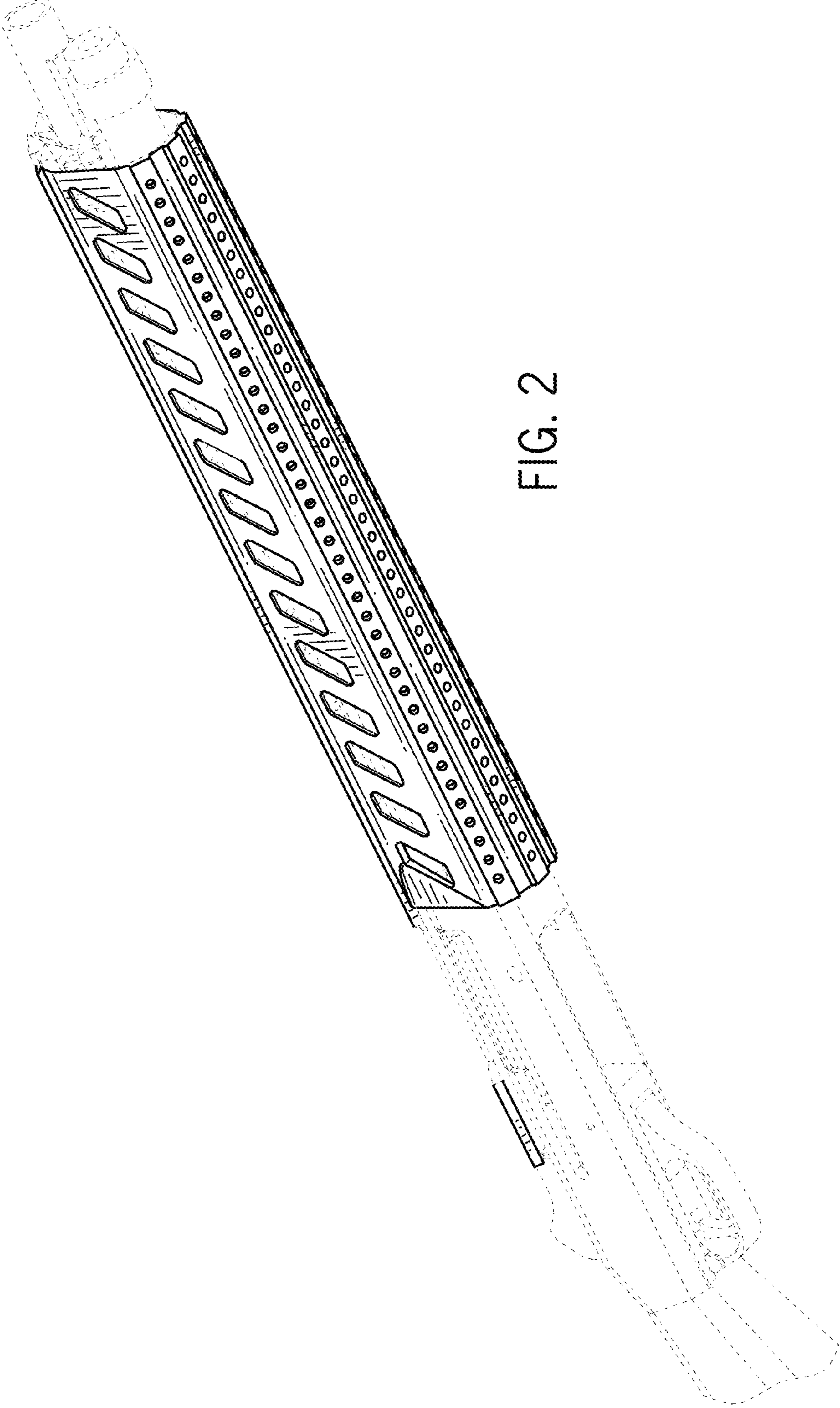


FIG. 2

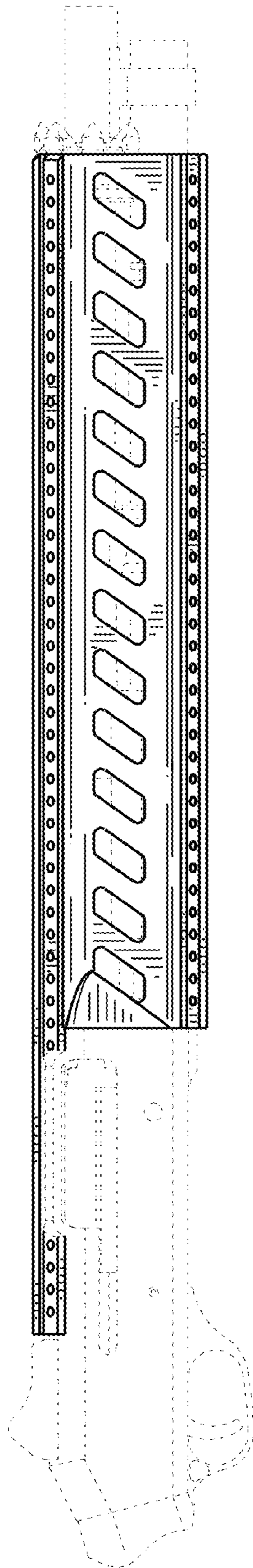


FIG. 3

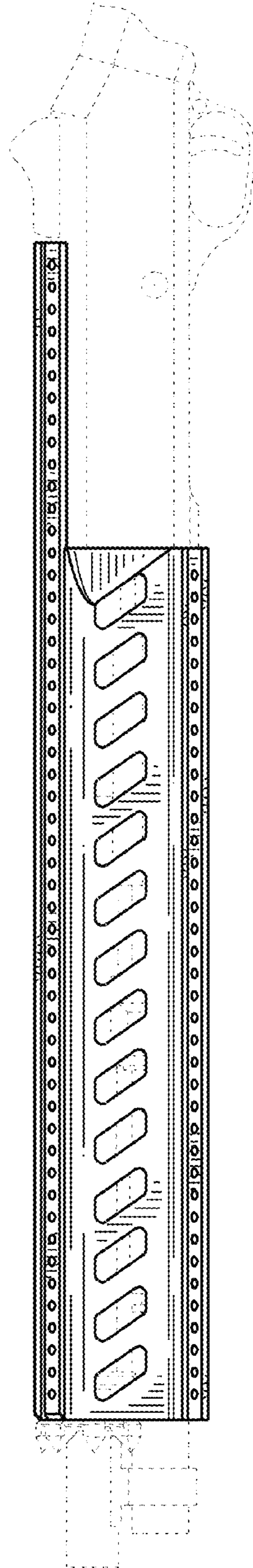


FIG. 4

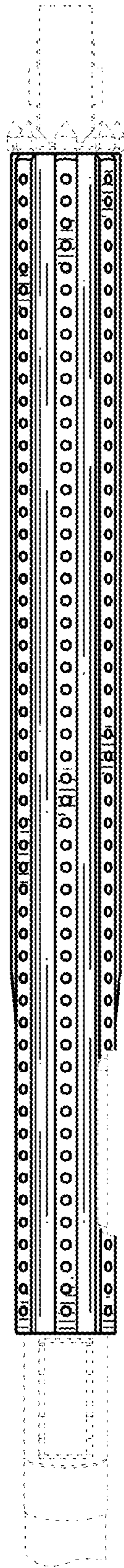


FIG. 5

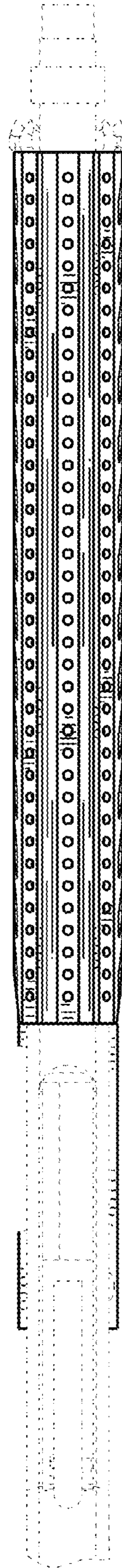


FIG. 6

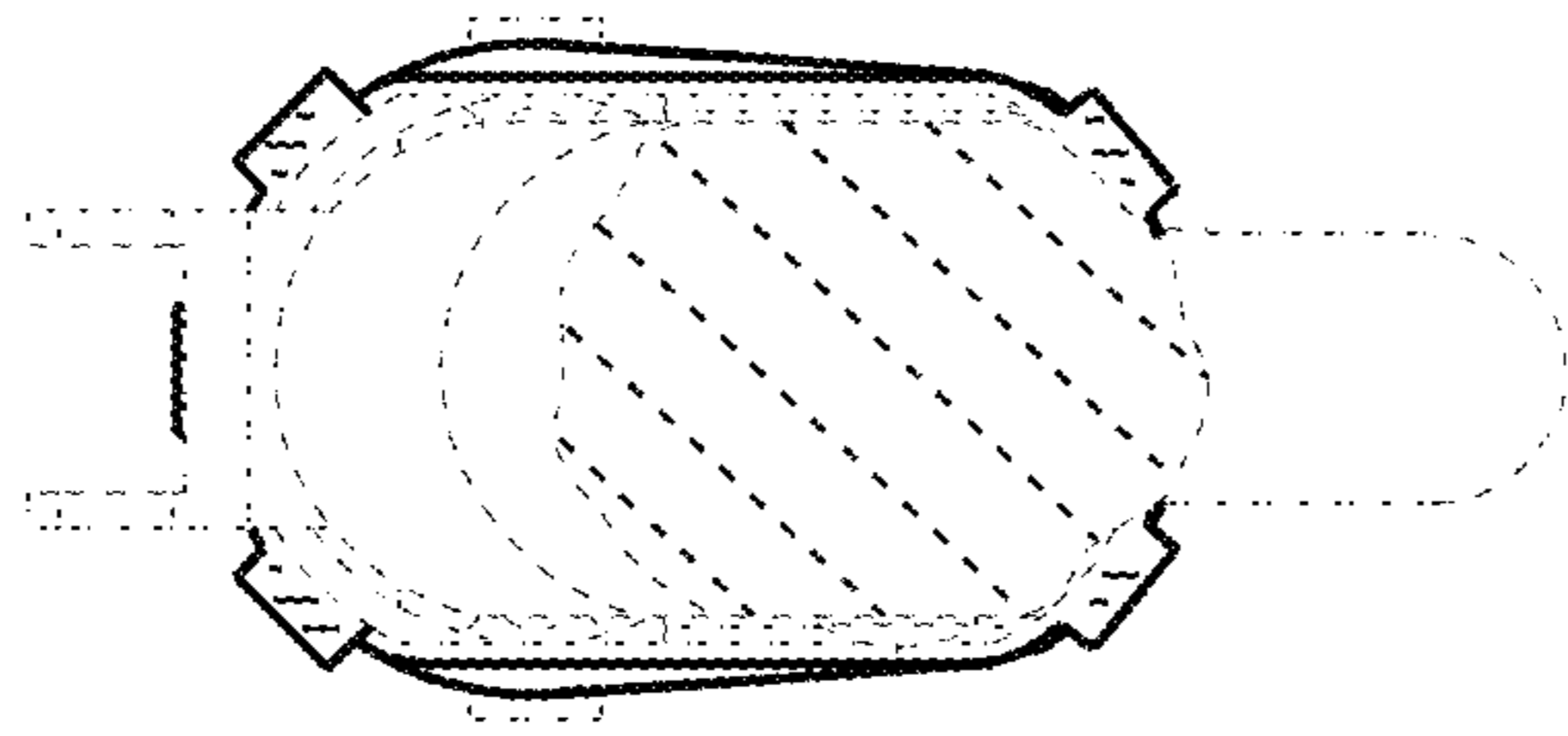


FIG. 8

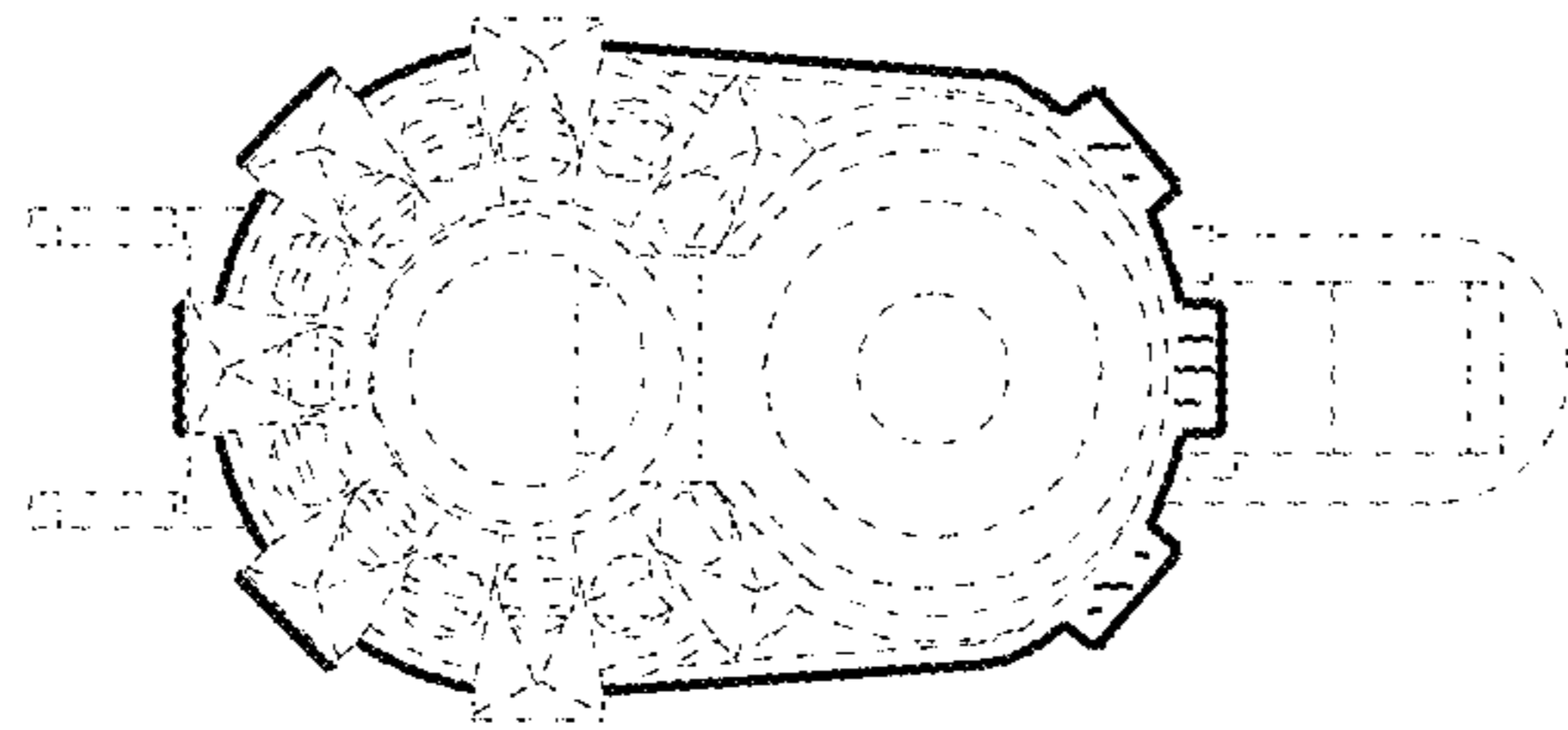


FIG. 7