



US00D710962S

(12) **United States Design Patent**
Pedersen

(10) **Patent No.:** **US D710,962 S**

(45) **Date of Patent:** **** Aug. 12, 2014**

(54) **CHISEL TIP FOR USE WITH EXPANDABLE BROADHEADS**

DESCRIPTION

(71) Applicant: **Out RAGE, LLC**, Proctor, MN (US)

(72) Inventor: **William Edward Pedersen**, Duluth, MN (US)

(**) Term: **14 Years**

(21) Appl. No.: **29/441,318**

(22) Filed: **Jan. 3, 2013**

(51) **LOC (10) Cl.** **22-01**

(52) **U.S. Cl.**
USPC **D22/107**

(58) **Field of Classification Search**

USPC D22/107, 115, 116; 473/582, 578; 43/6; 403/349

See application file for complete search history.

(56) **References Cited**

U.S. PATENT DOCUMENTS

3,824,026 A * 7/1974 Gaskins 408/210
4,212,463 A * 7/1980 Repinski et al. 473/581

(Continued)

OTHER PUBLICATIONS

PCT International Search Report (PCT Article 18 and Rules 43 and 44) for PCT/US2013/076119, Mar. 11, 2014.

(Continued)

Primary Examiner — Michael A Pratt

(74) *Attorney, Agent, or Firm* — Covington & Burling LLP;
Gregory S. Discher; Andrea G. Reister

(57) **CLAIM**

The ornamental design for a chisel tip for use with expandable broadheads, as shown and described.

FIG. 1 is a front view of a three-bladed expandable broadhead having a first shock collar and a three facet chisel tip as shown in FIGS. 9 through 14;

FIG. 2 is a perspective view of FIG. 1;

FIG. 3 is a front view of a three-bladed expandable broadhead having a first shock collar and a four facet chisel tip as shown in FIGS. 15 through 20;

FIG. 4 is a perspective view of FIG. 3;

FIG. 5 is a front view of a three-bladed expandable broadhead having a second shock collar and a three facet chisel tip as shown in FIGS. 9 through 14;

FIG. 6 is a perspective view of FIG. 5;

FIG. 7 is a front view of a three-bladed expandable broadhead having a second shock collar and a four facet chisel tip as shown in FIGS. 15 through 20;

FIG. 8 is a perspective view of FIG. 7;

FIG. 9 is a side view of a three facet chisel tip showing the spiraling and concave nature of the chisel tip as shown in FIGS. 1 and 5;

FIG. 10 is a cross section view taken along the line 10-10 as shown in FIG. 9;

FIG. 11 is a cross section view taken along the line 11-11 as shown in FIG. 9;

FIG. 12 is a cross section view taken along the line 12-12 as shown in FIG. 9;

FIG. 13 is a top view of the three facet chisel tip as shown in FIG. 9;

FIG. 14 is a perspective view of the three facet chisel tip as shown in FIG. 9;

FIG. 15 is a side view of a four facet chisel tip showing the spiraling and concave nature of the tip as shown in FIGS. 3 and 7;

FIG. 16 is a cross section view taken along the line 16-16 as shown in FIG. 15;

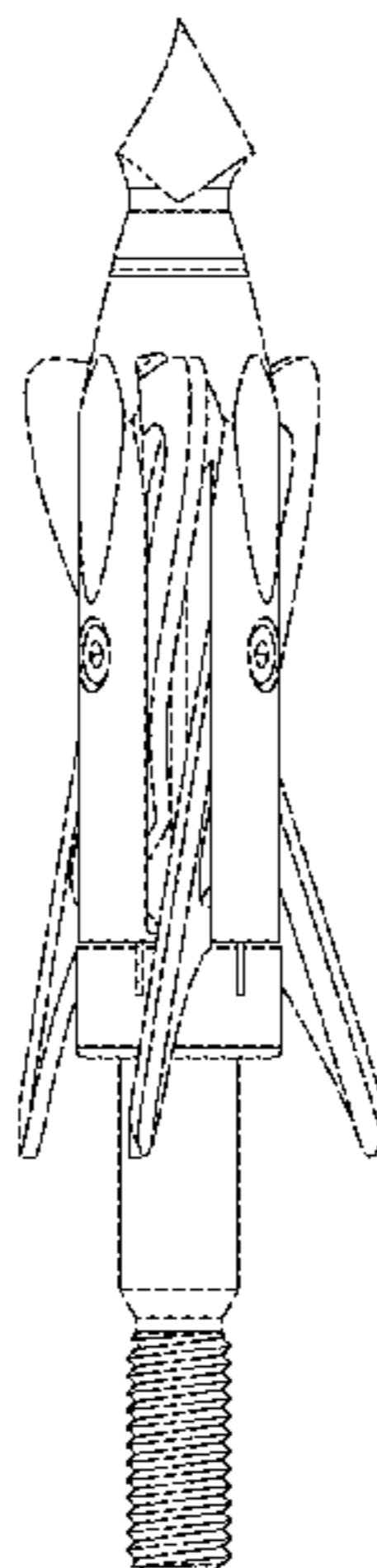
FIG. 17 is a cross section view taken along the line 17-17 as shown in FIG. 15;

FIG. 18 is a cross section view taken along the line 18-18 as shown in FIG. 15;

FIG. 19 is a top view of the four facet chisel tip as shown in FIG. 15; and,

FIG. 20 is a perspective view of the four facet chisel tip as shown in FIG. 15.

1 Claim, 6 Drawing Sheets



(56)

References Cited

U.S. PATENT DOCUMENTS

6,077,179 A * 6/2000 Liechty, II 473/582
 6,258,000 B1 * 7/2001 Liechty, II 473/583
 6,290,903 B1 9/2001 Grace, Jr. et al.
 6,306,053 B1 * 10/2001 Liechty, II 473/583
 6,322,464 B1 11/2001 Sestak
 6,517,454 B2 2/2003 Barrie et al.
 6,540,628 B1 4/2003 Musacchia, Jr.
 6,595,881 B1 7/2003 Grace, Jr. et al.
 6,626,776 B2 9/2003 Barrie et al.
 6,887,172 B2 * 5/2005 Arasmith 473/583
 6,910,979 B2 6/2005 Barrie et al.
 7,422,533 B1 * 9/2008 Johnson 473/584
 D583,897 S * 12/2008 Ward D22/107
 7,771,297 B2 * 8/2010 Kuhn 473/583
 7,951,023 B2 * 5/2011 Perkins, Jr. 473/583
 8,197,367 B2 6/2012 Pulkrabek et al.

8,210,971 B1 7/2012 Fulton
 8,545,349 B1 * 10/2013 Budris et al. 473/583
 2002/0055404 A1 * 5/2002 Liechty, II 473/583
 2002/0151393 A1 10/2002 Liechty
 2007/0037640 A1 2/2007 Rager
 2007/0161438 A1 7/2007 Fulton
 2008/0254925 A1 10/2008 Odabachian et al.
 2010/0113196 A1 * 5/2010 Jones 473/583
 2012/0165142 A1 6/2012 Grace

OTHER PUBLICATIONS

PCT Written Opinion of the International Searching Authority (PCT Rule 43bis.1) for PCT/US2013/076119, Mar. 11, 2014.
 PCT International Search Report (PCT Article 18 and Rules 43 and 44) for PCT/US2013/075872, Mar. 19, 2014.
 PCT Written Opinion of the International Searching Authority (PCT Rule 43bis.1) for PCT/US2013/075782, Mar. 19, 2014.

* cited by examiner

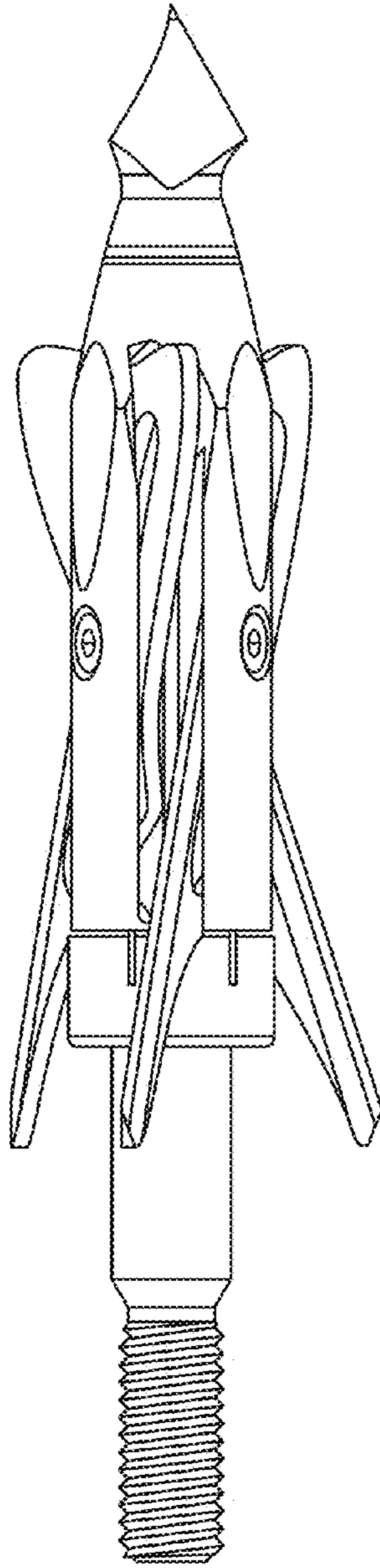


FIG. 1

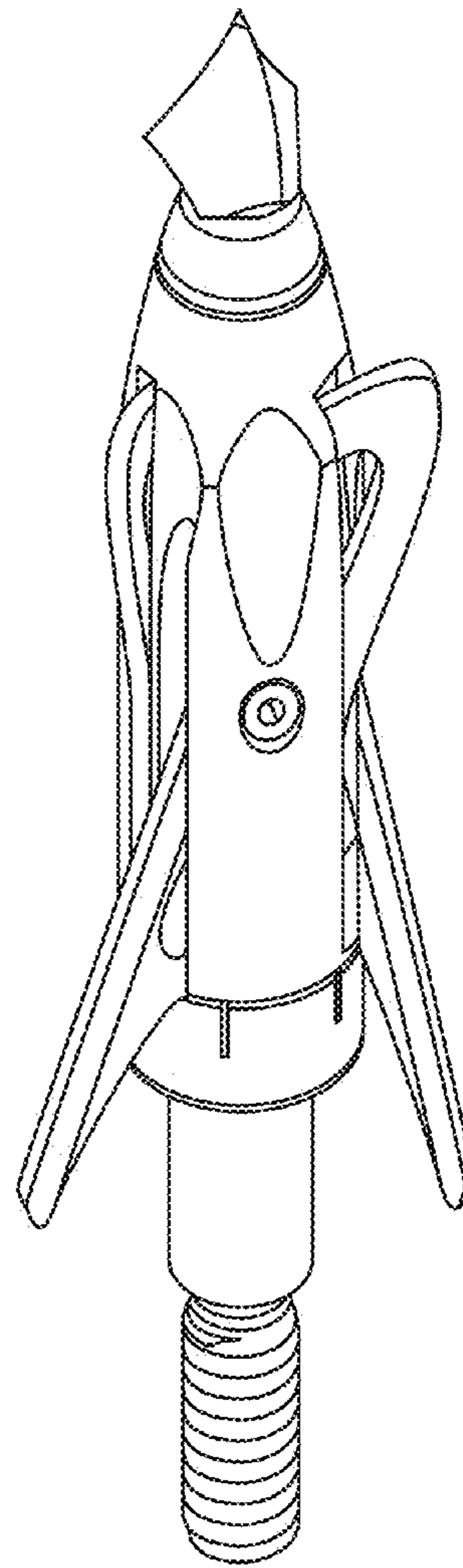


FIG. 2

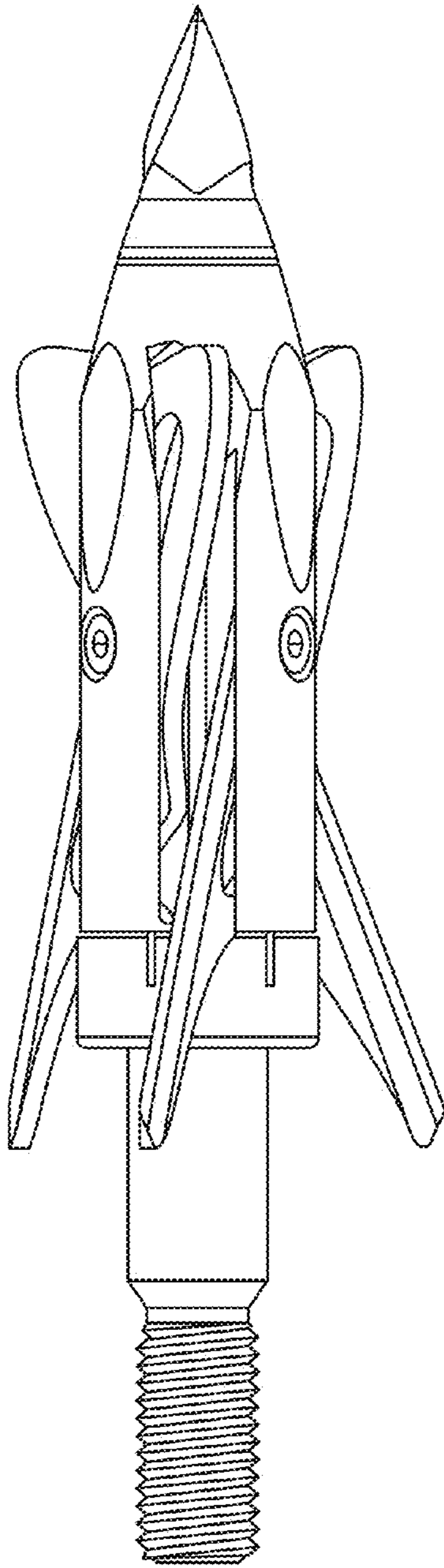


FIG. 3

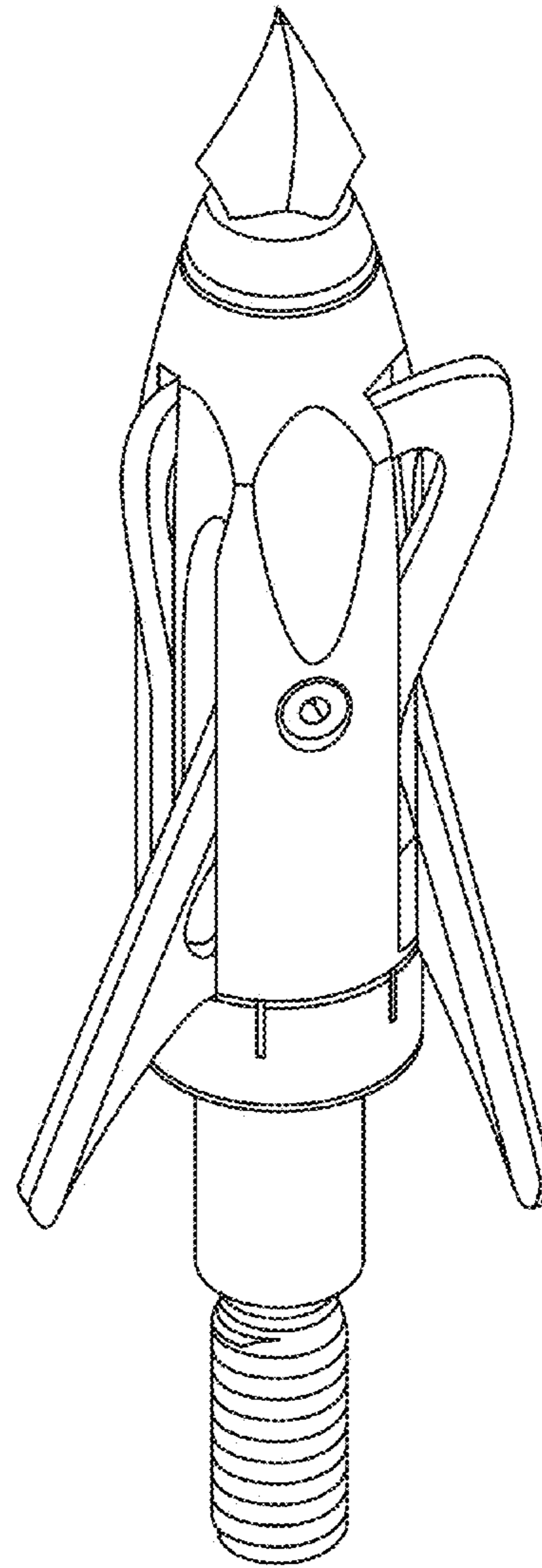


FIG. 4

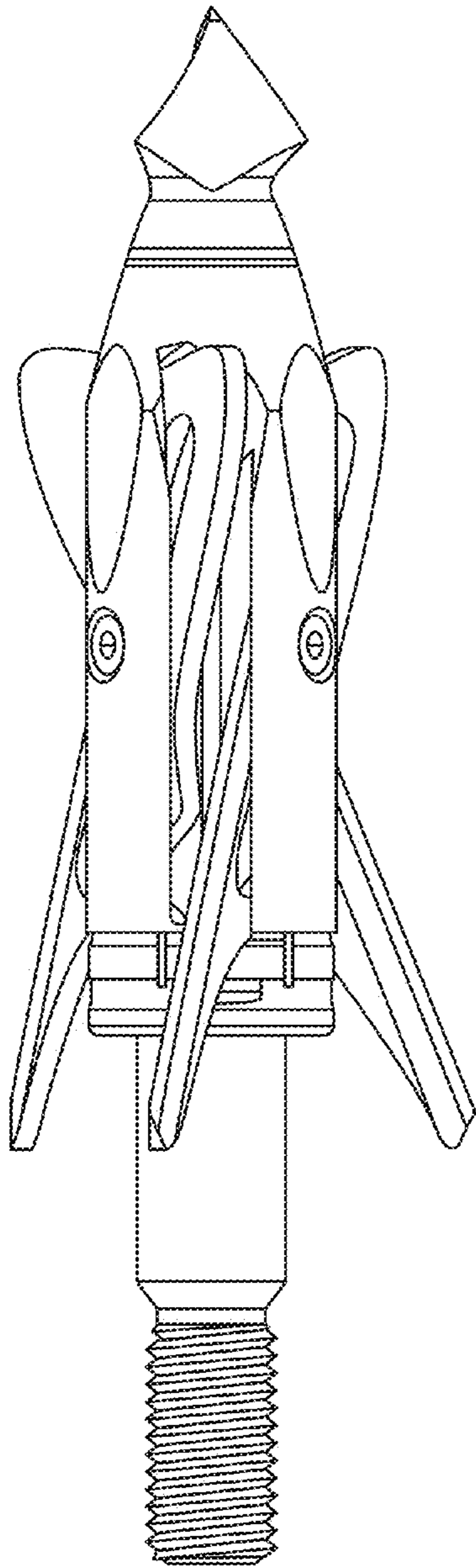


FIG. 5

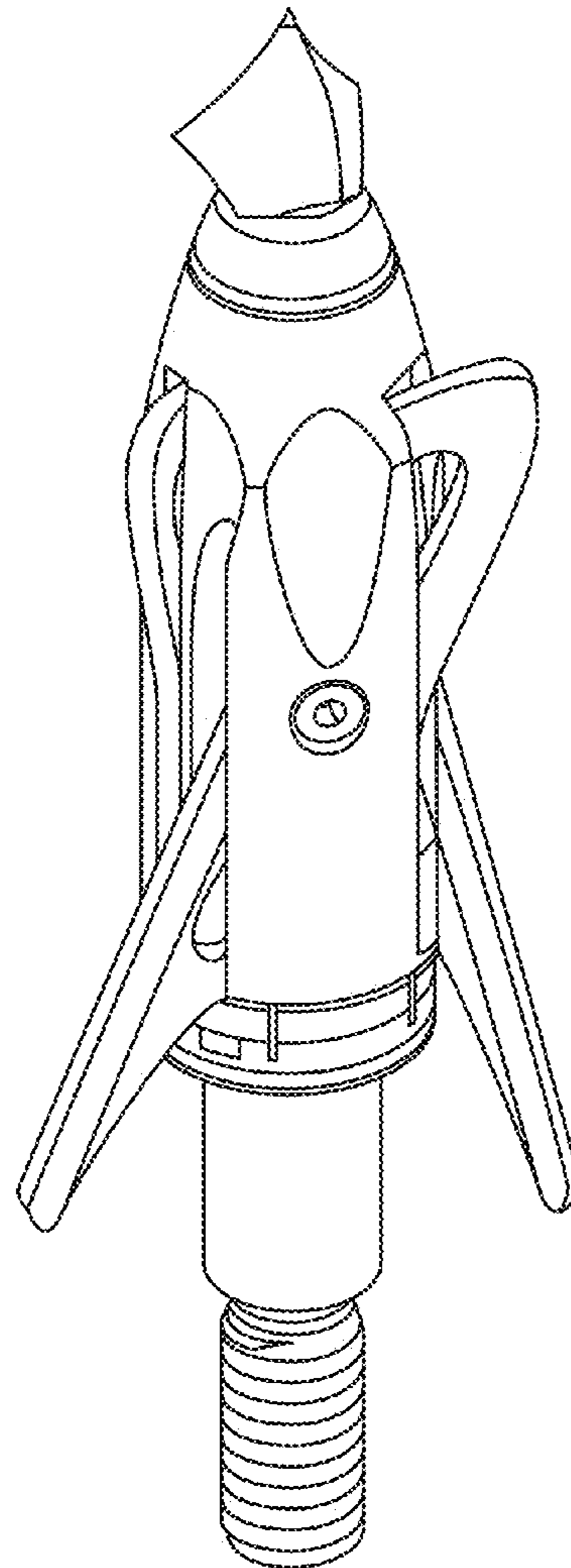


FIG. 6

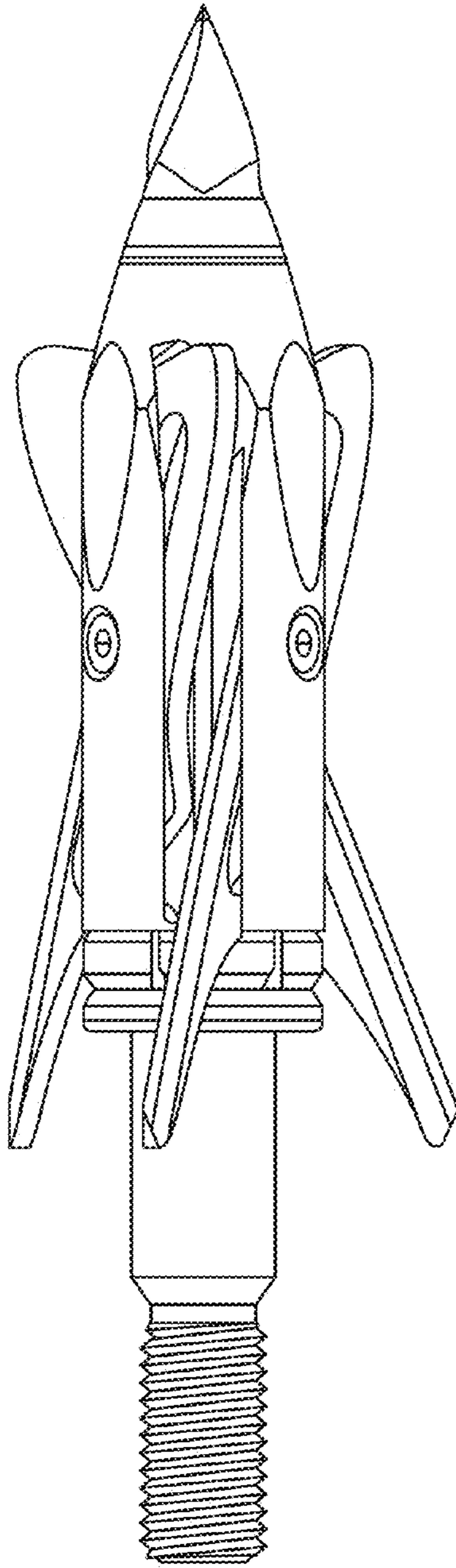


FIG. 7

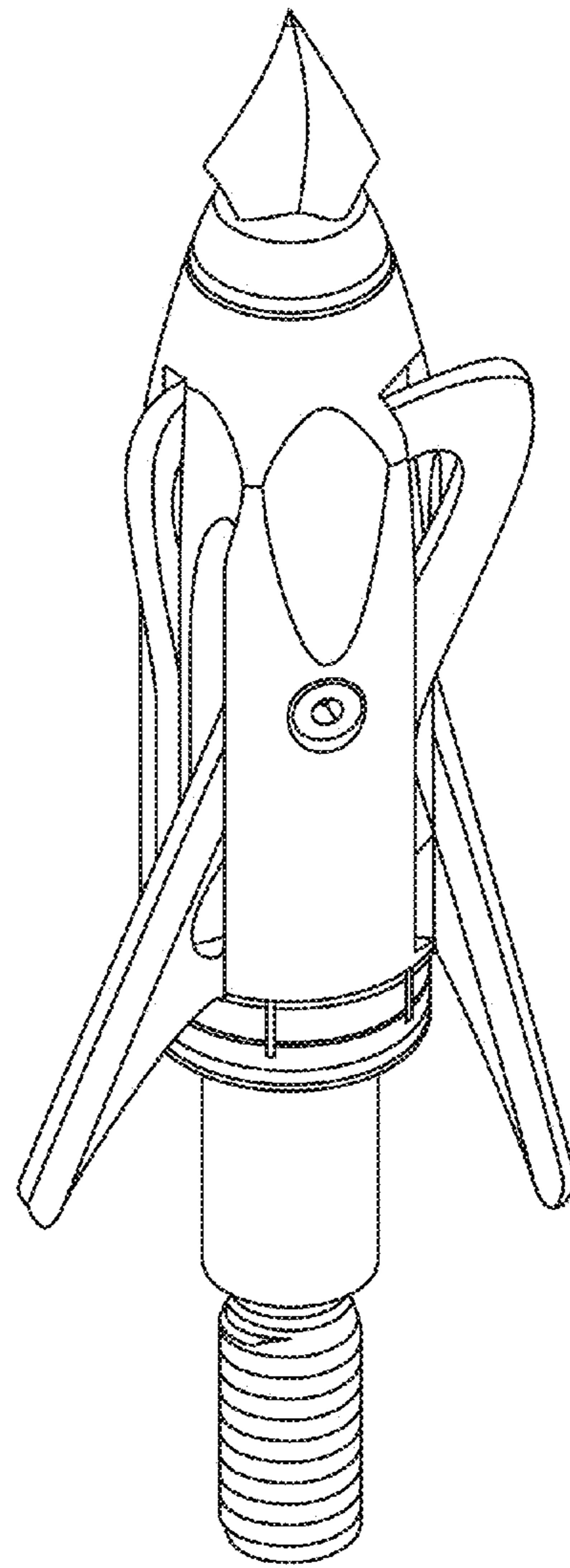


FIG. 8

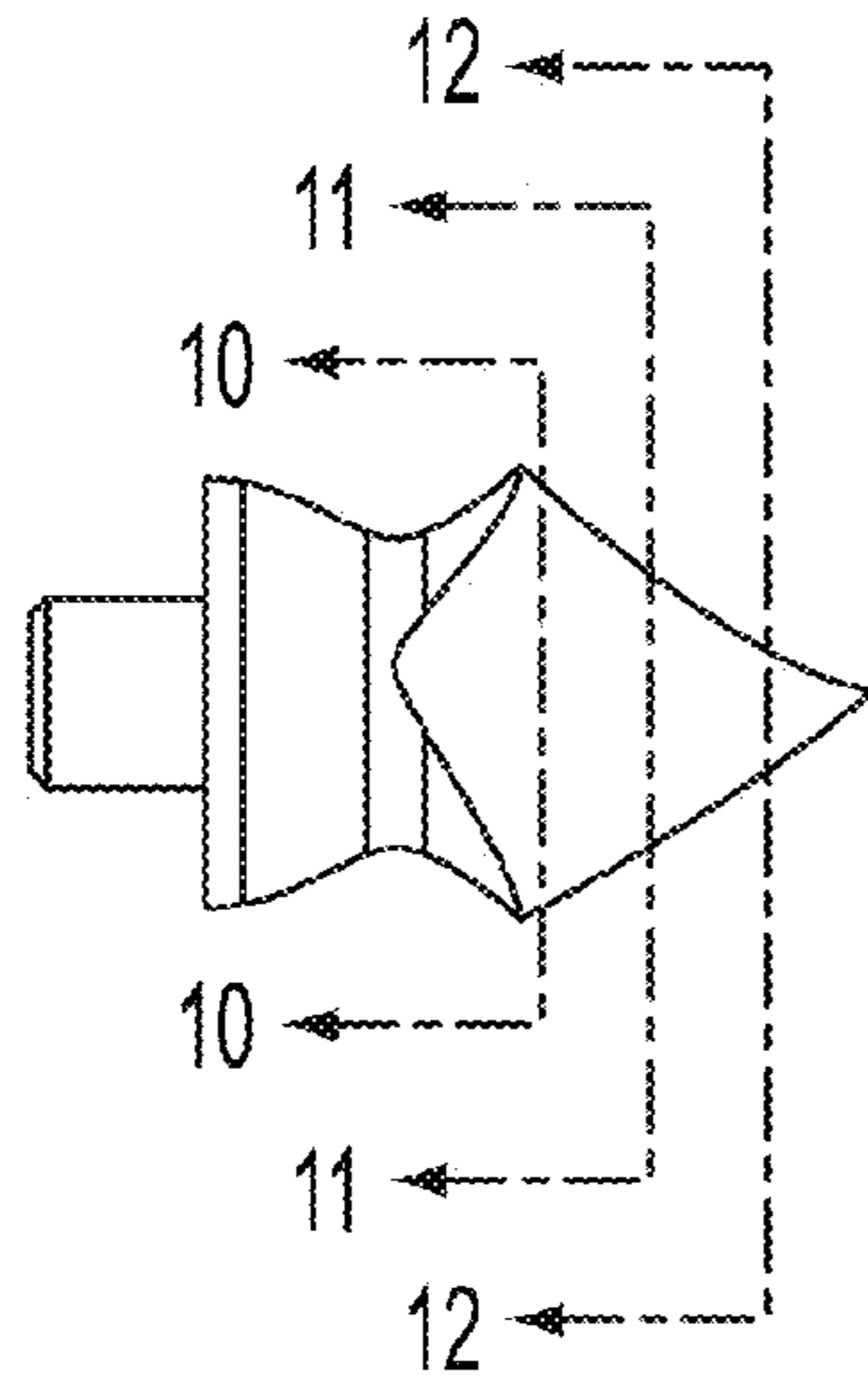


FIG. 9

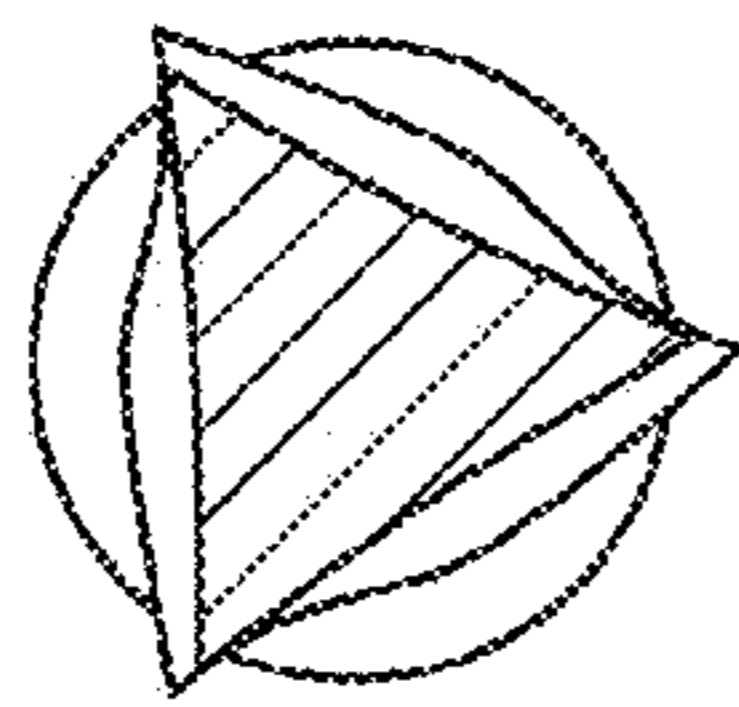


FIG. 10

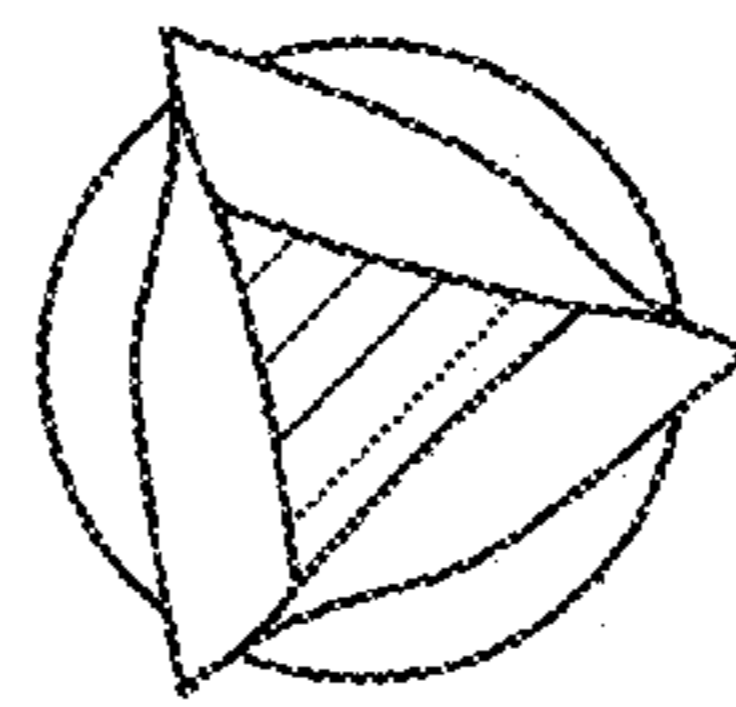


FIG. 11

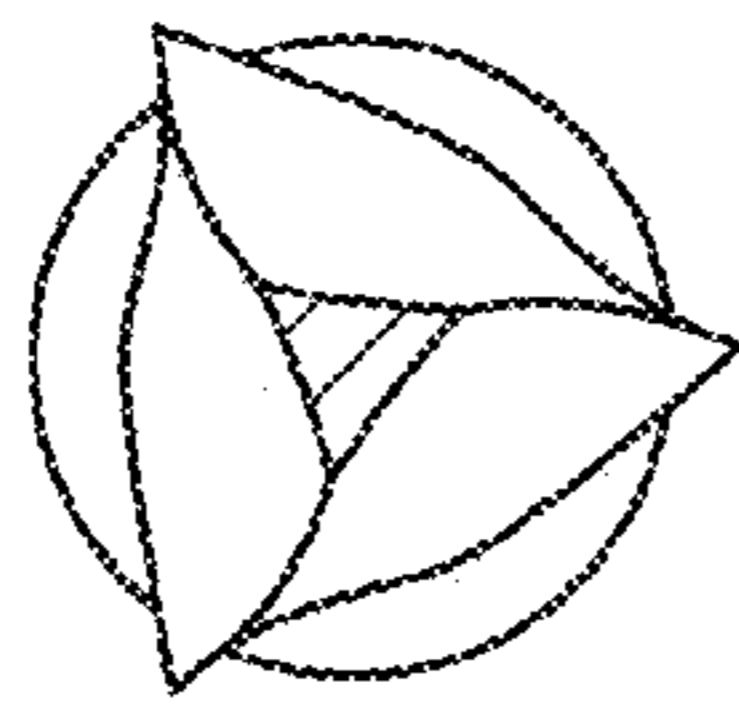


FIG. 12

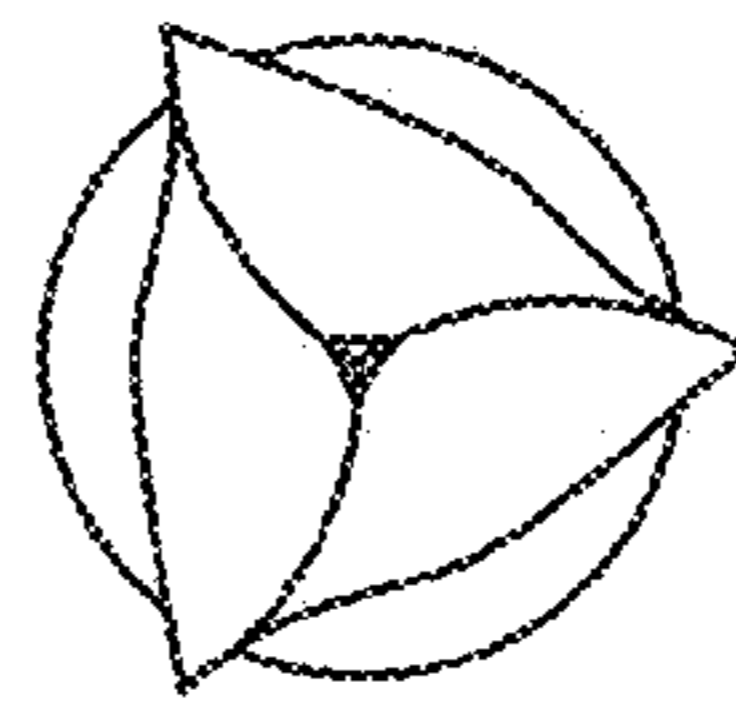


FIG. 13



FIG. 14

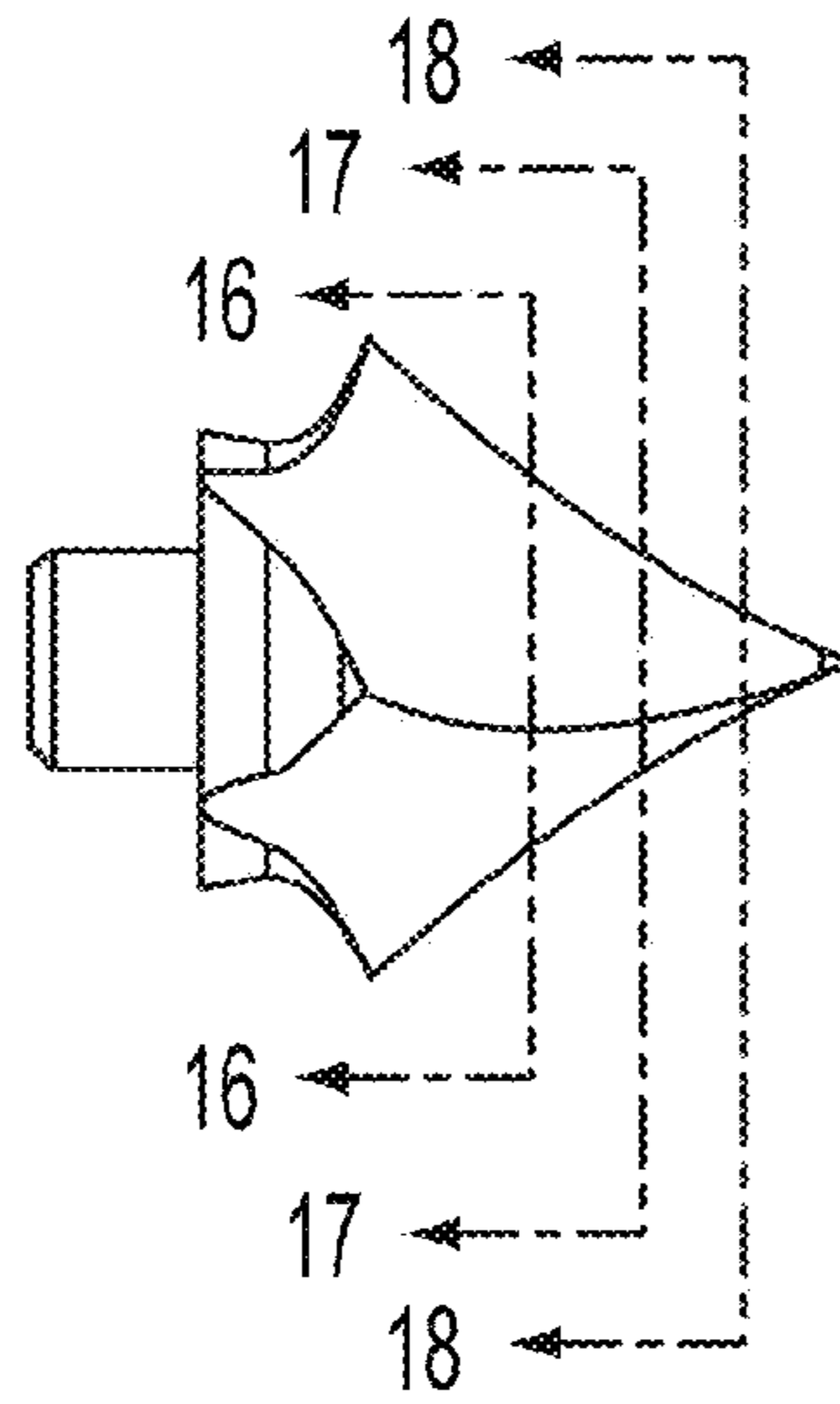


FIG. 15

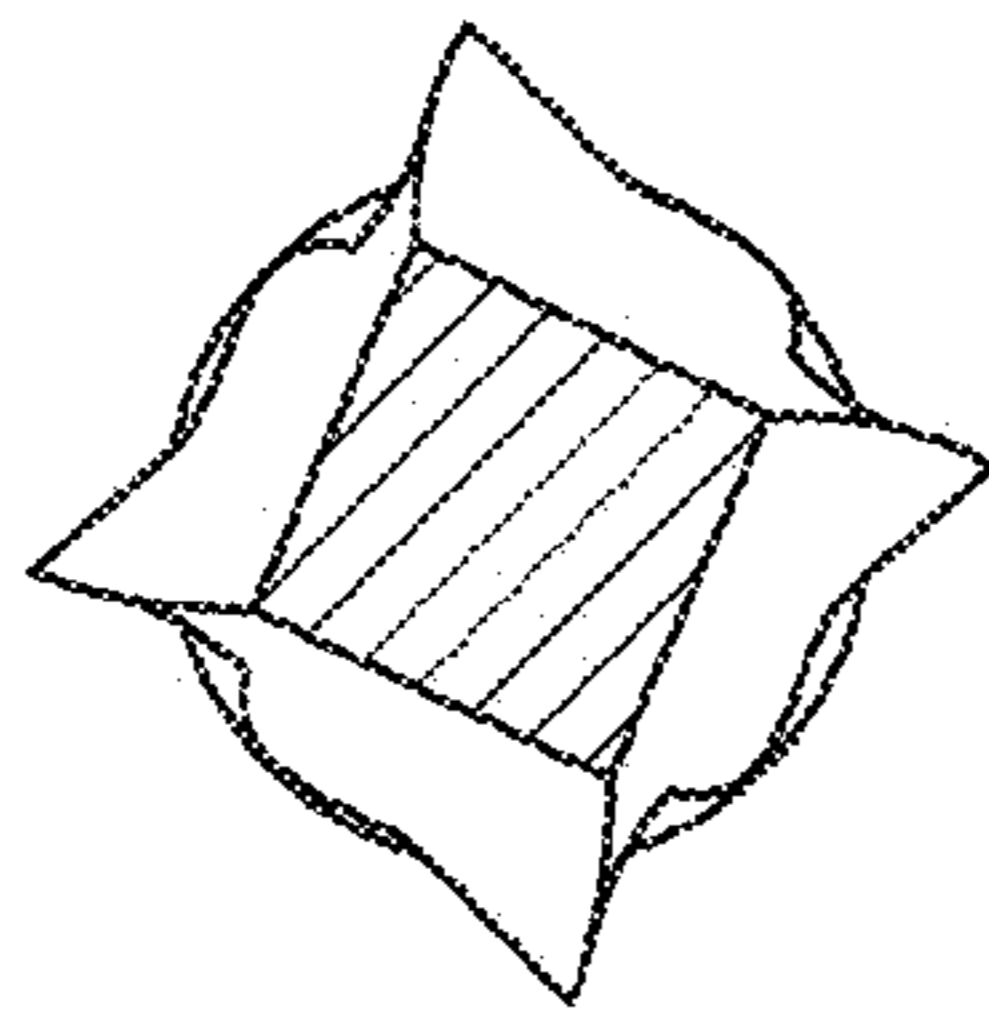


FIG. 16

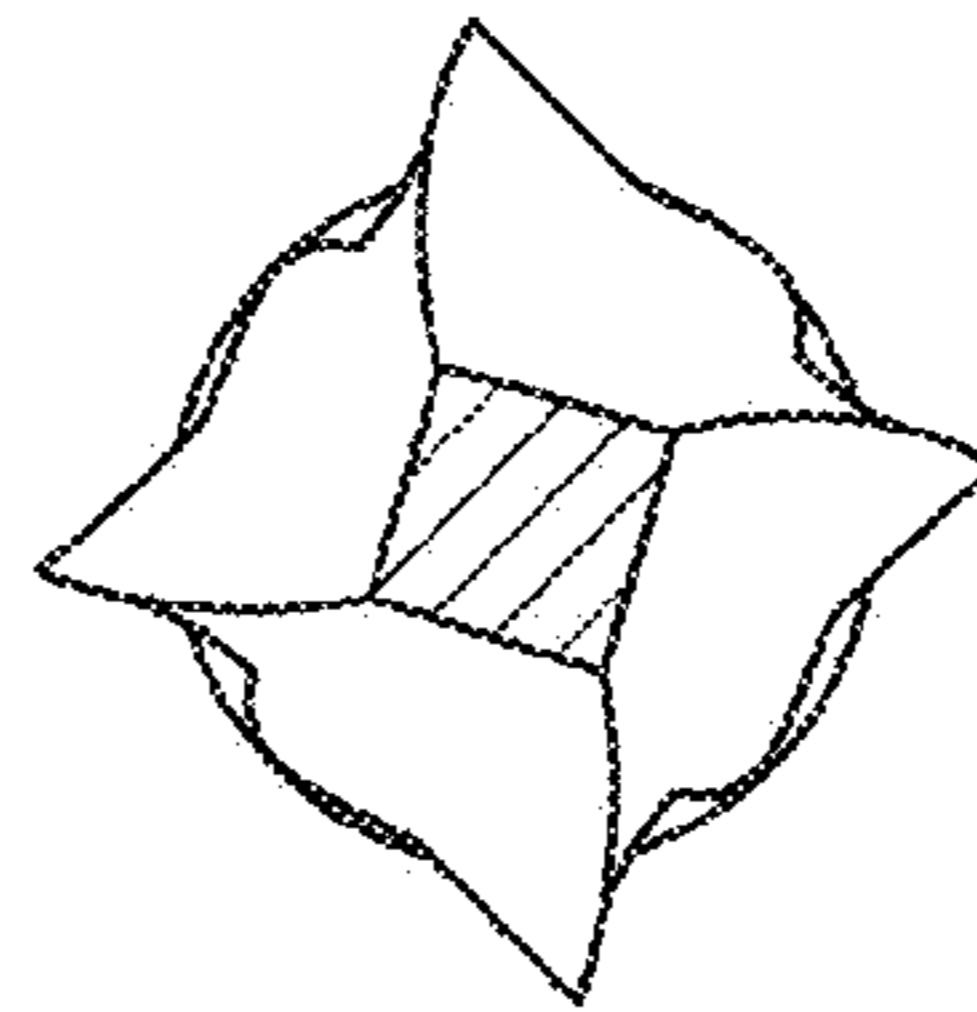


FIG. 17

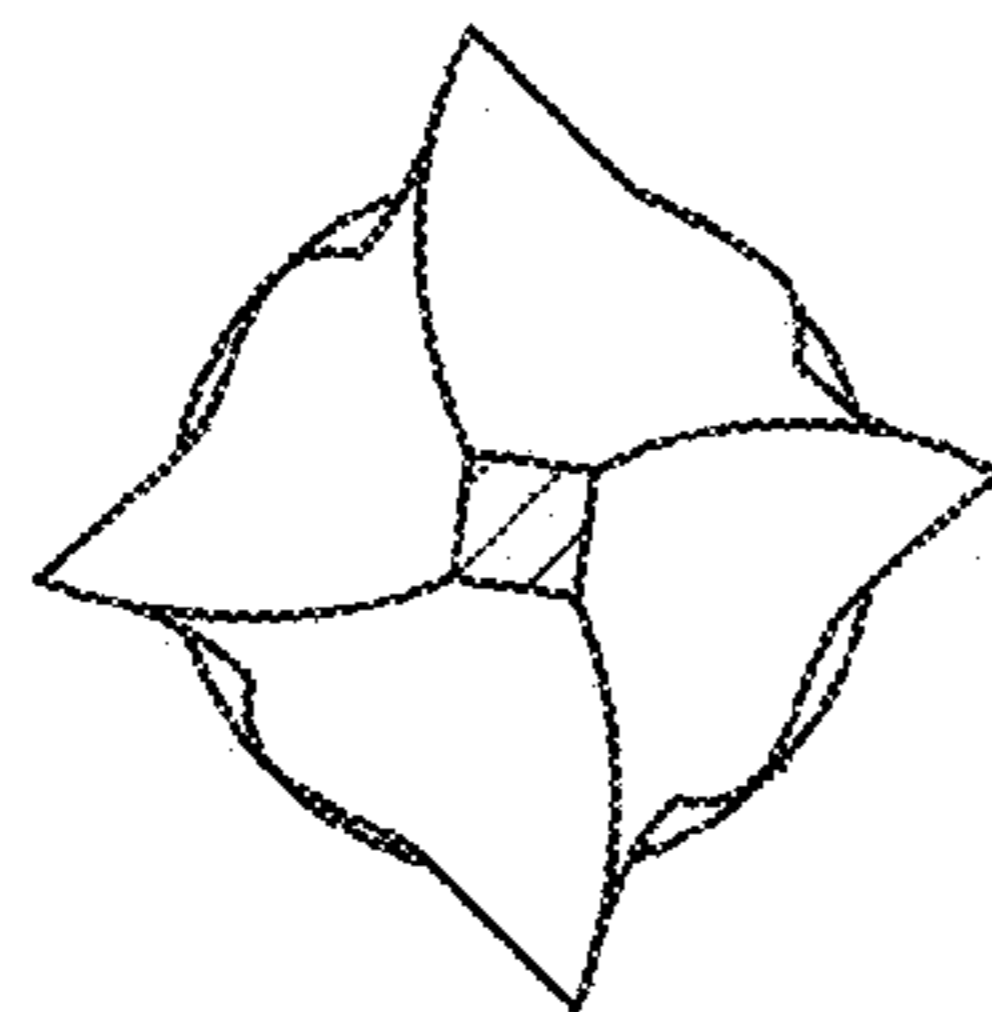


FIG. 18

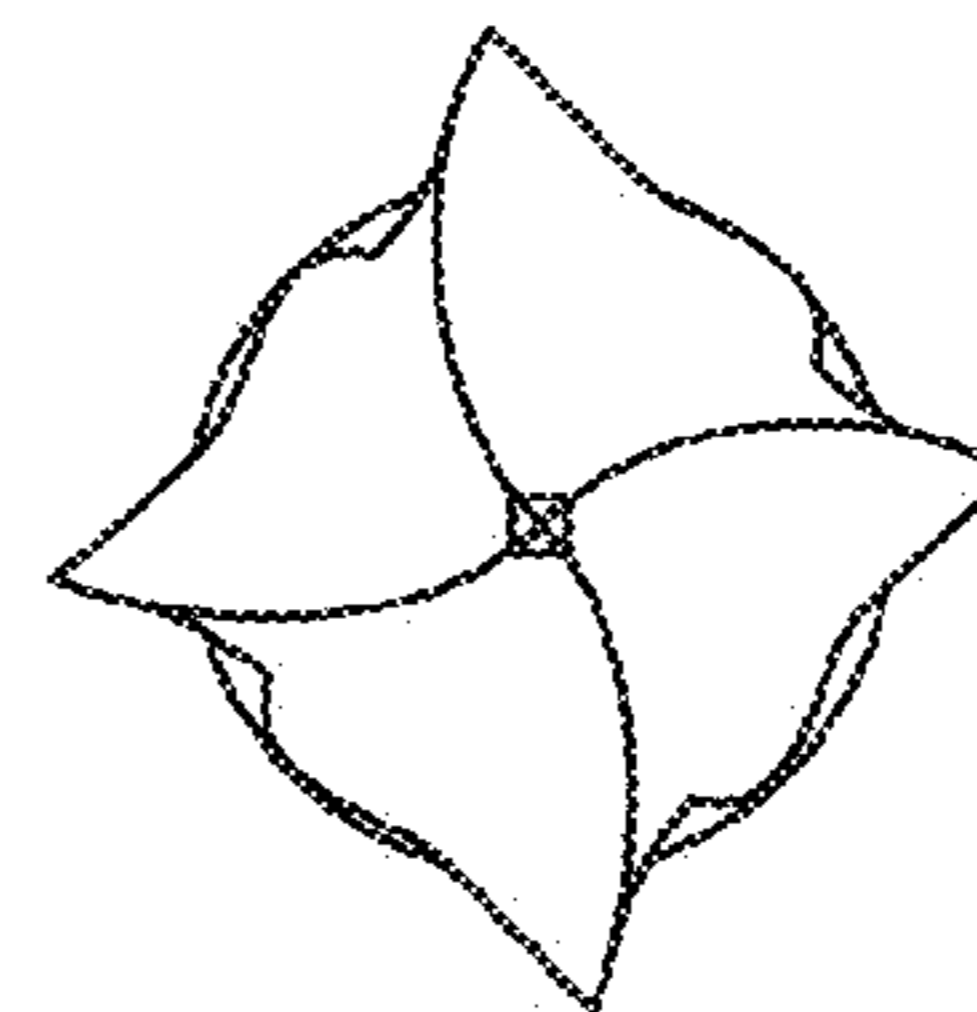


FIG. 19



FIG. 20