

US00D710961S

(12) **United States Design Patent**
Foster

(10) **Patent No.:** **US D710,961 S**

(45) **Date of Patent:** **** Aug. 12, 2014**

(54) **GOLF CLUB HEAD**

(71) Applicant: **Callaway Golf Company**, Carlsbad, CA (US)

(72) Inventor: **Philip G. Foster**, Vista, CA (US)

(73) Assignee: **Callaway Golf Company**, Carlsbad, CA (US)

(**) Term: **14 Years**

(21) Appl. No.: **29/461,052**

(22) Filed: **Jul. 18, 2013**

(51) **LOC (10) Cl.** **21-02**

(52) **U.S. Cl.**
USPC **D21/759**

(58) **Field of Classification Search**
CPC A63G 53/00; A63B 53/04; A63B 53/047; A63B 53/0475
USPC D21/747-751, 759; 473/324-331, 350
See application file for complete search history.

(56) **References Cited**

U.S. PATENT DOCUMENTS

5,921,869	A *	7/1999	Blough et al.	473/291
D550,317	S *	9/2007	Oldknow et al.	D21/759
D581,000	S *	11/2008	Nicolette et al.	D21/749
D621,893	S *	8/2010	Nicolette et al.	D21/759
D641,447	S *	7/2011	Engel et al.	D21/759
D691,684	S *	10/2013	Cyrulik et al.	D21/759

8,657,700	B2 *	2/2014	Nicolette et al.	473/291
2005/0026716	A1 *	2/2005	Wahl et al.	473/334
2012/0289360	A1 *	11/2012	Breier et al.	473/335

OTHER PUBLICATIONS

New Legacy Black Iron. [online]. [retrieved on Jul. 11, 2013]. Retrieved from the Internet: <URL:http://www.callawaygolf.jp/product/club/mens/new_legacy_black_ir>.

* cited by examiner

Primary Examiner — Mitchell Siegel

(74) *Attorney, Agent, or Firm* — Rebecca Hanovice; Michael A. Catania; Sonia Lari

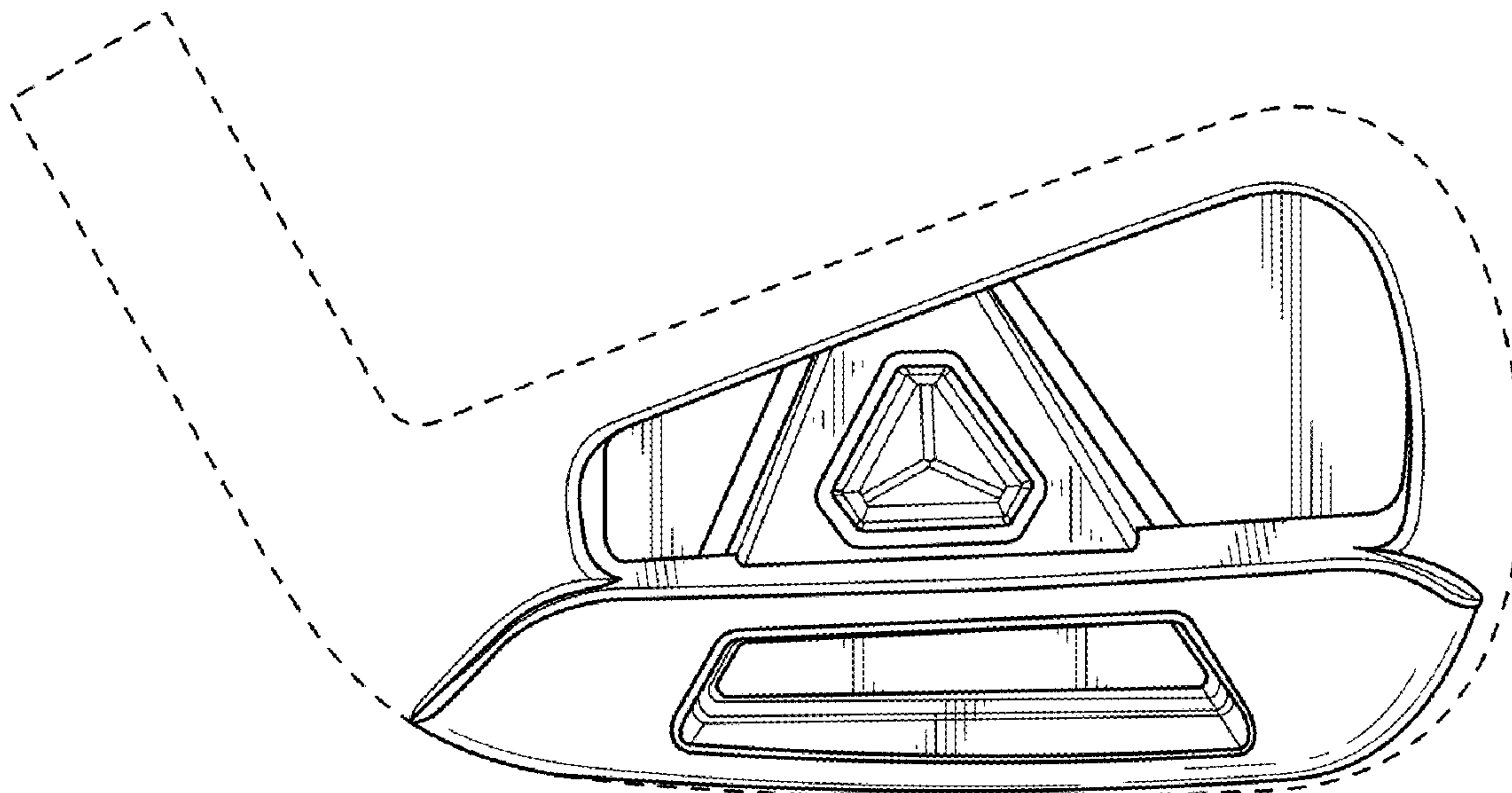
(57) **CLAIM**

The ornamental design for a golf club head, as shown and described.

DESCRIPTION

FIG. 1 is a rear perspective view of a first embodiment of a golf club head as claimed herein;
FIG. 2 is a front elevational view thereof;
FIG. 3 is a rear elevational view thereof;
FIG. 4 is a top plan view thereof;
FIG. 5 is a bottom plan view thereof;
FIG. 6 is a right side elevational view thereof; and,
FIG. 7 is a left side elevational view thereof.
The broken lines are included for the purpose of illustration only and form no part of the claimed design.

1 Claim, 4 Drawing Sheets



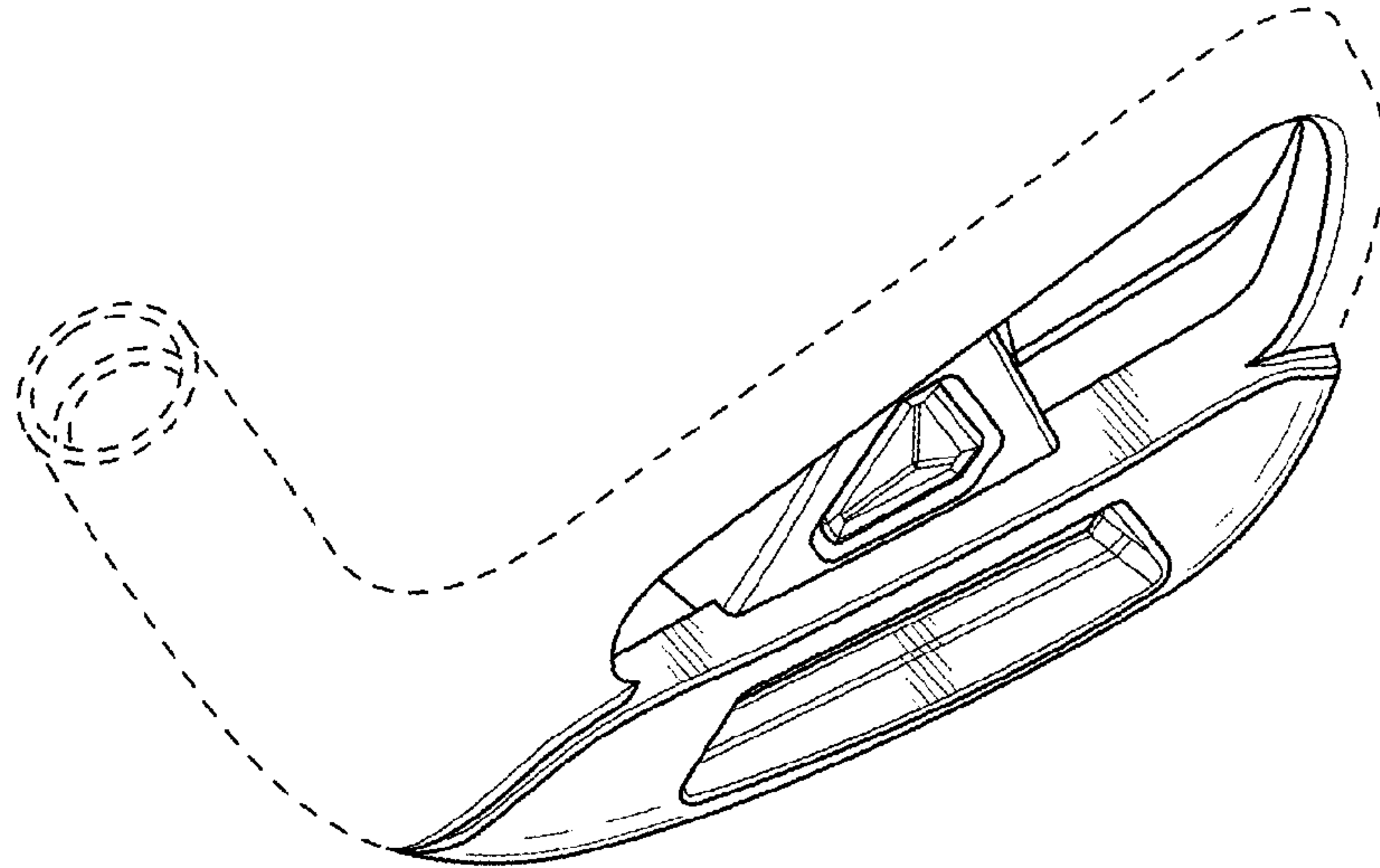


FIG. 1

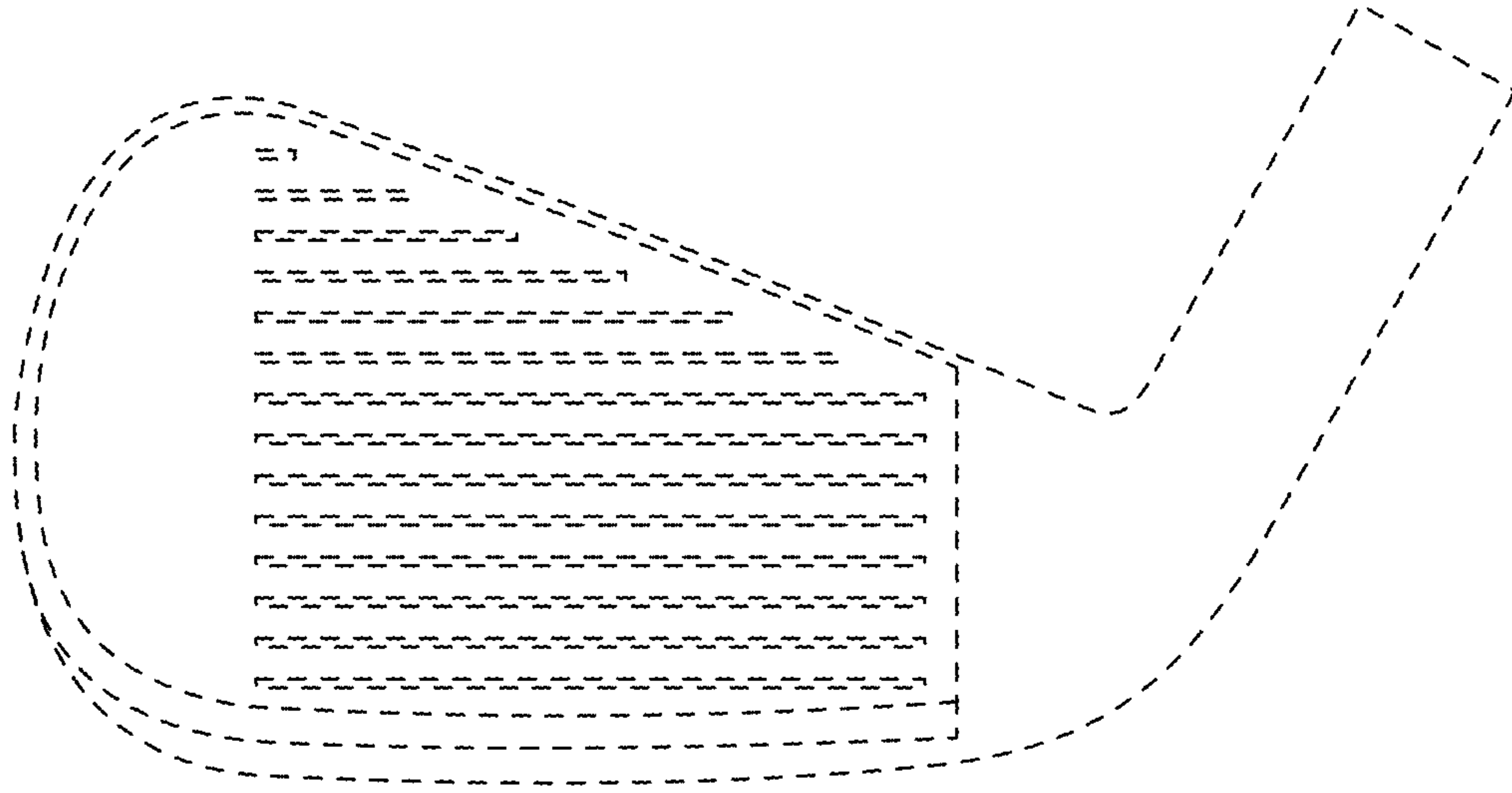


FIG. 2

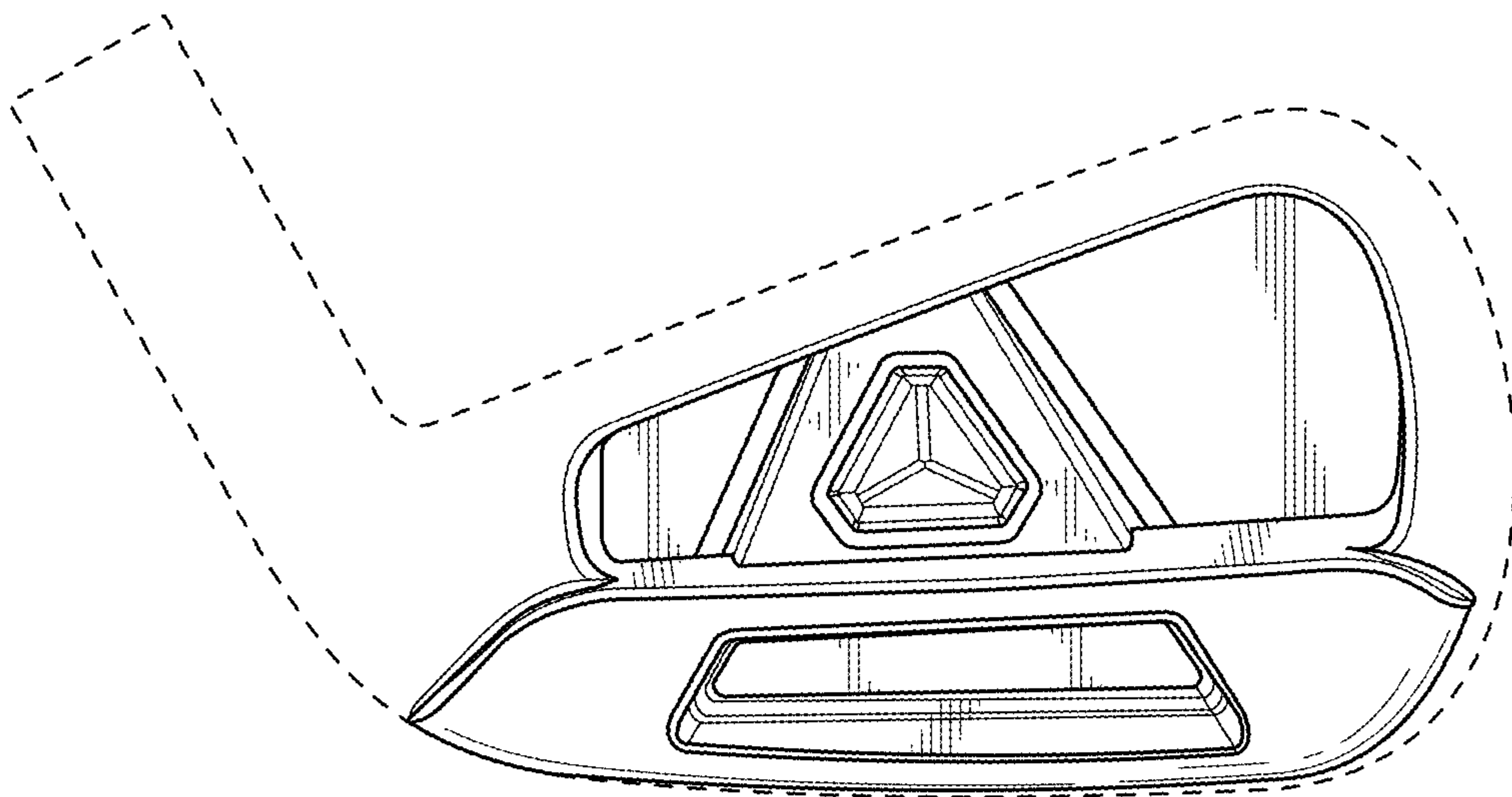


FIG. 3

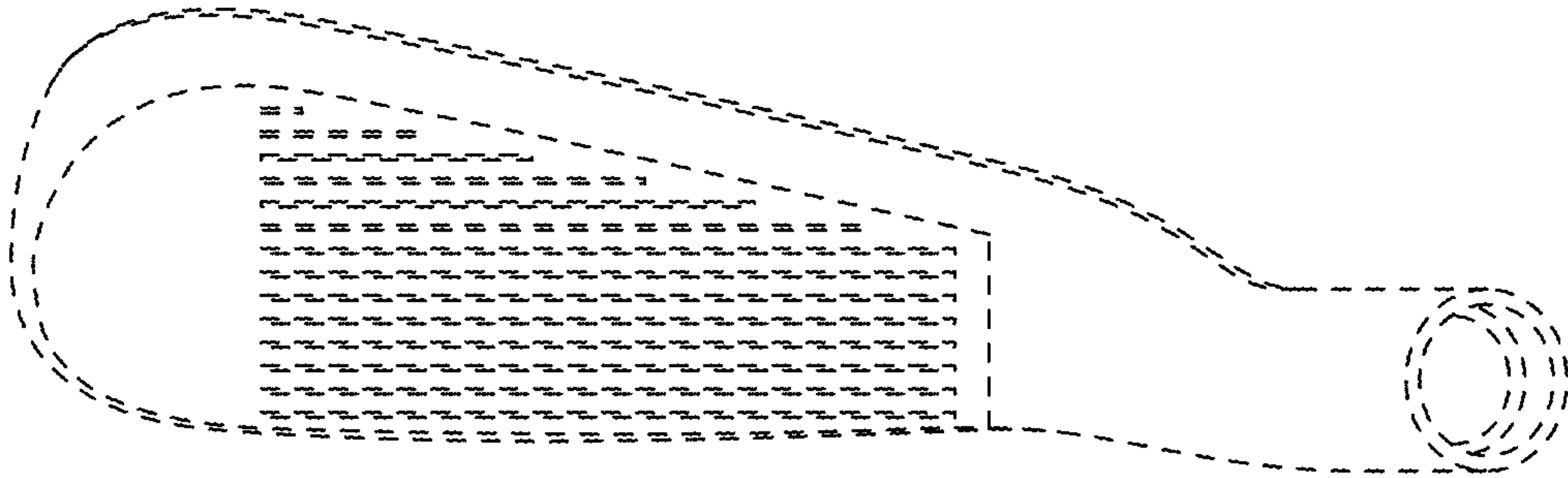


FIG. 4

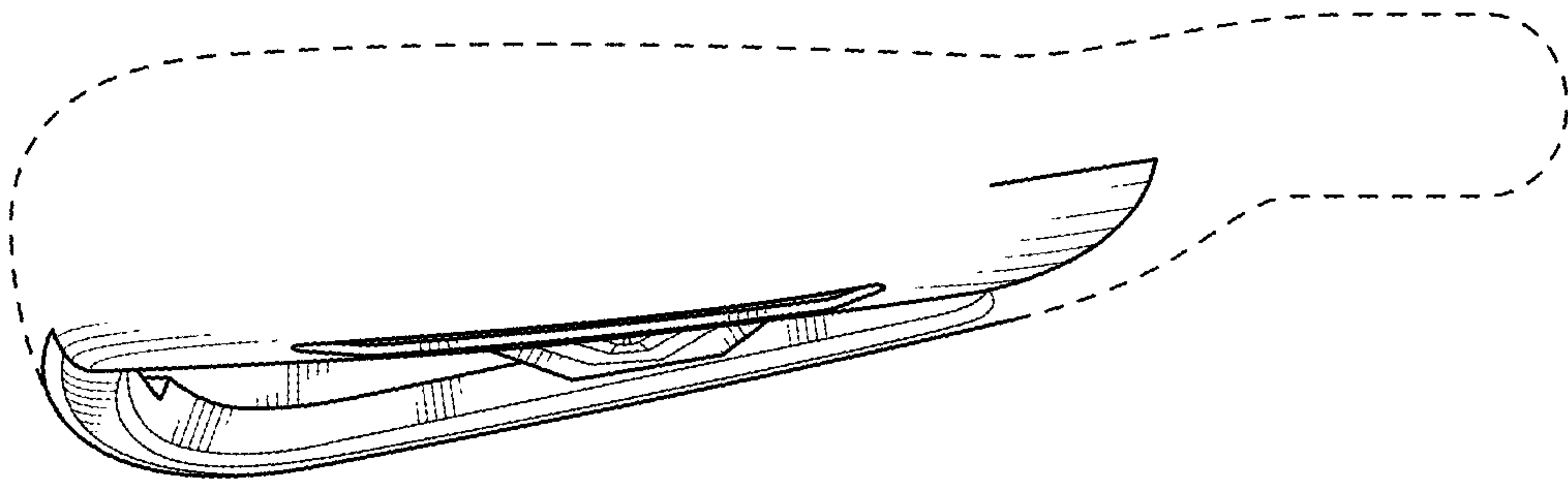


FIG. 5

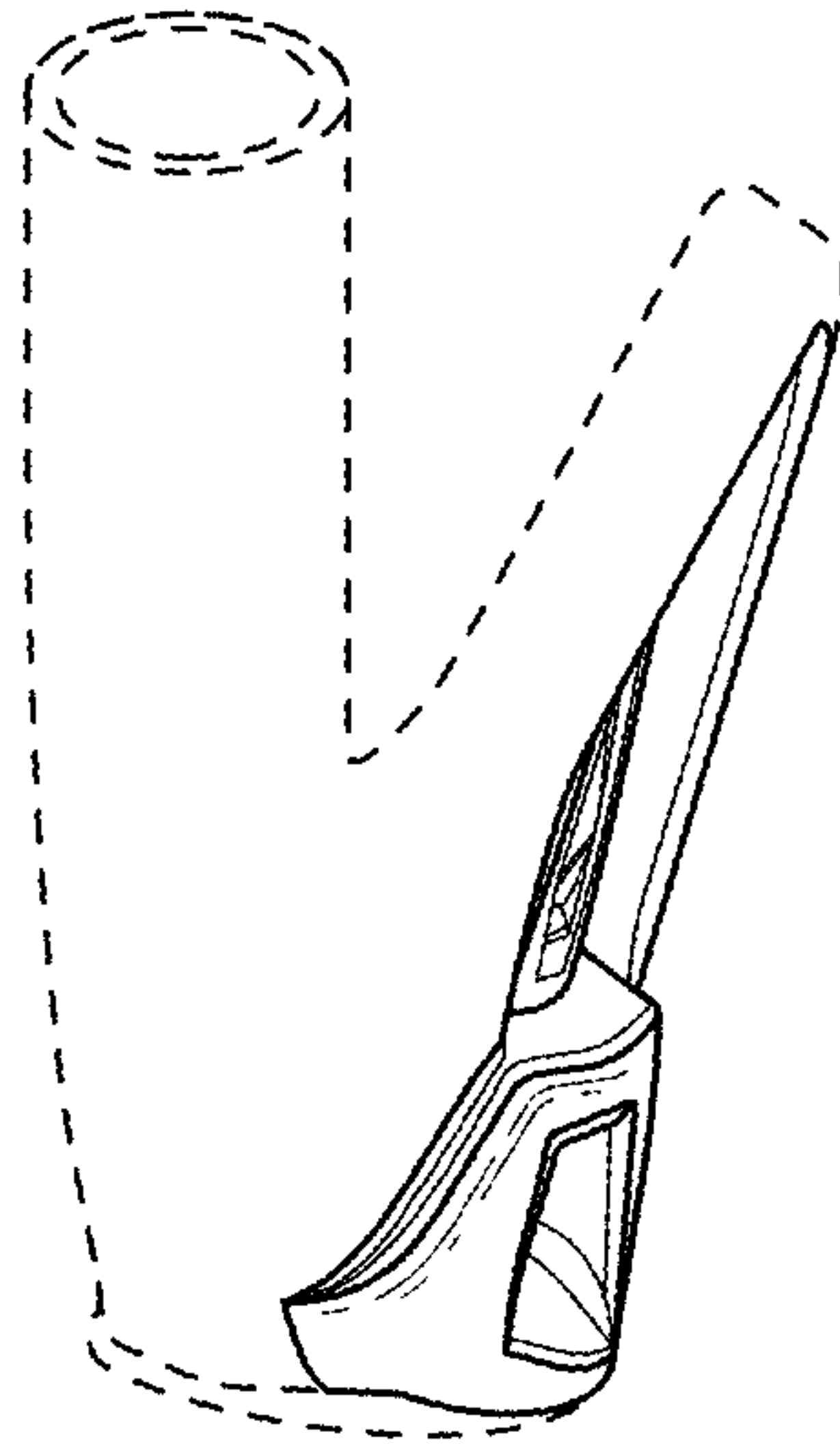


FIG. 6

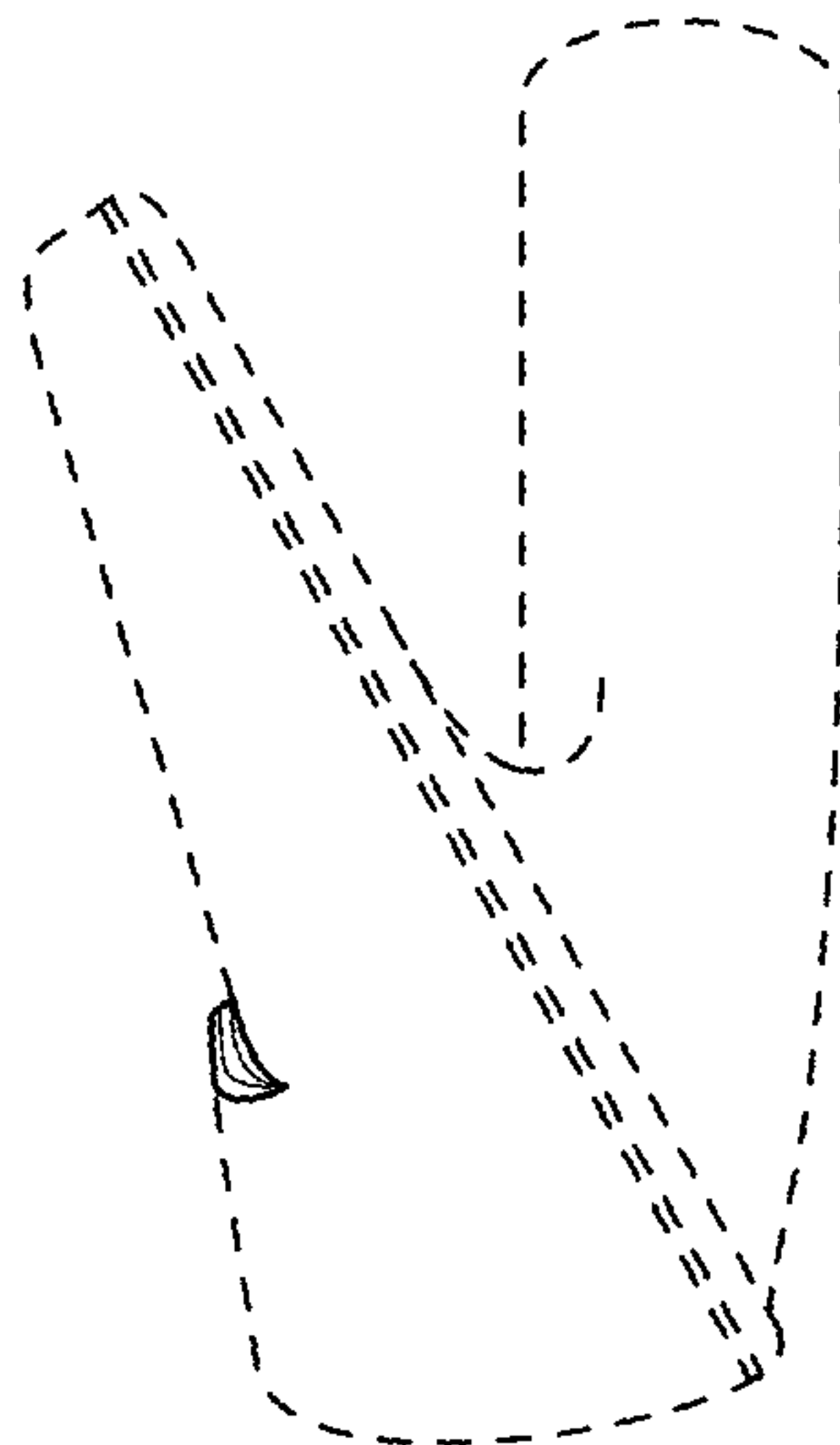


FIG. 7