

US00D710959S

(12) **United States Design Patent**
Mickle

(10) **Patent No.:** **US D710,959 S**

(45) **Date of Patent:** **** Aug. 12, 2014**

(54) **PUTTER HEAD**

(71) Applicant: **Wesley J. Mickle**, Weatherford, TX (US)

(72) Inventor: **Wesley J. Mickle**, Weatherford, TX (US)

(**) Term: **14 Years**

(21) Appl. No.: **29/455,553**

(22) Filed: **May 22, 2013**

D375,131 S *	10/1996	Williams	D21/743
D380,801 S *	7/1997	Steele	D21/744
D399,900 S *	10/1998	Hogan	D21/742
D403,387 S *	12/1998	Bloomer	D21/736
5,964,669 A *	10/1999	Bloomer	473/250
D435,879 S *	1/2001	Jackson	D21/736
RE37,519 E	1/2002	Densberger et al.		
D458,657 S	6/2002	Shmoldas et al.		
D484,935 S	1/2004	Tang		
D491,991 S *	6/2004	Friebus	D21/738
D503,447 S *	3/2005	Toroussian	D21/736
D520,089 S *	5/2006	Garcia	D21/744
D521,088 S *	5/2006	Mercier	D21/736
7,169,058 B1 *	1/2007	Fagan	473/330

(Continued)

Related U.S. Application Data

(62) Division of application No. 29/442,133, filed on Dec. 14, 2012.

(51) **LOC (10) Cl.** **21-02**

(52) **U.S. Cl.**
USPC **D21/736**

(58) **Field of Classification Search**
USPC D21/736-746, 759; 473/324-331,
473/340-341, 251-256

See application file for complete search history.

Primary Examiner — Mitchell Siegel

(74) *Attorney, Agent, or Firm* — Decker Jones et al.; Brian K. Yost; Geoffrey A. Mantooth

(57) **CLAIM**

The ornamental design for a putter head, as shown and described.

DESCRIPTION

FIG. 1 is a perspective face, toe-side, and upper-side view of a putter head according to my new design;

FIG. 2 is a perspective face, heel-side, and upper-side view of the putter head of FIG. 1;

FIG. 3 is a front elevation view of the putter head shown in FIG. 1;

FIG. 4 is a rear elevation view of the putter head shown in FIG. 1;

FIG. 5 is a top plan view of the putter head shown in FIG. 1;

FIG. 6 is a bottom plan view of the putter head shown in FIG. 1;

FIG. 7 is a toe-side elevation view of the putter head shown in FIG. 1; and,

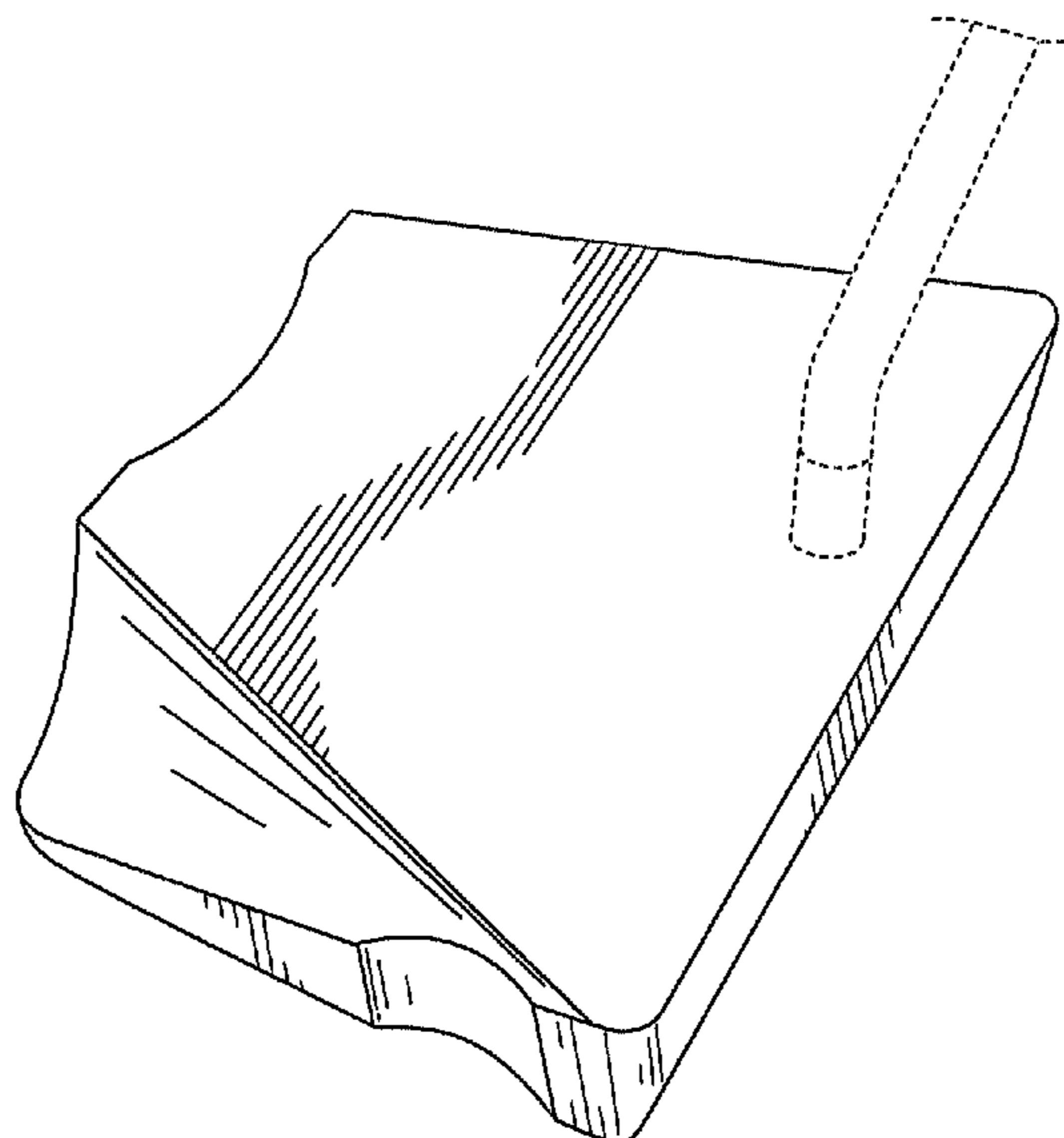
FIG. 8 is a heel-side elevation view of the putter head shown in FIG. 1.

(56) **References Cited**

U.S. PATENT DOCUMENTS

1,454,267 A	5/1923	Challis et al.		
2,843,384 A *	7/1958	Schmidt	D21/736
3,043,596 A	7/1962	Ehmke		
D206,549 S	12/1966	Mackenzie		
3,866,922 A	2/1975	Marci et al.		
3,873,094 A	3/1975	Sebo et al.		
4,222,566 A	9/1980	Berry		
4,326,716 A	4/1982	LaCoste		
4,369,974 A *	1/1983	Komperda	473/250
4,749,196 A	6/1988	Podgor		
5,082,277 A	1/1992	Gingold		
D325,414 S *	4/1992	Woolsey	D21/737
5,226,654 A	7/1993	Solheim		
5,467,989 A	11/1995	Good et al.		
D374,470 S *	10/1996	Steele	D21/745

1 Claim, 4 Drawing Sheets



US D710,959 S

Page 2

(56)

References Cited

D636,828 S * 4/2011 Ross D21/736
D666,260 S * 8/2012 Cynn D21/742

U.S. PATENT DOCUMENTS

7,905,794 B2 * 3/2011 Ross 473/250 * cited by examiner

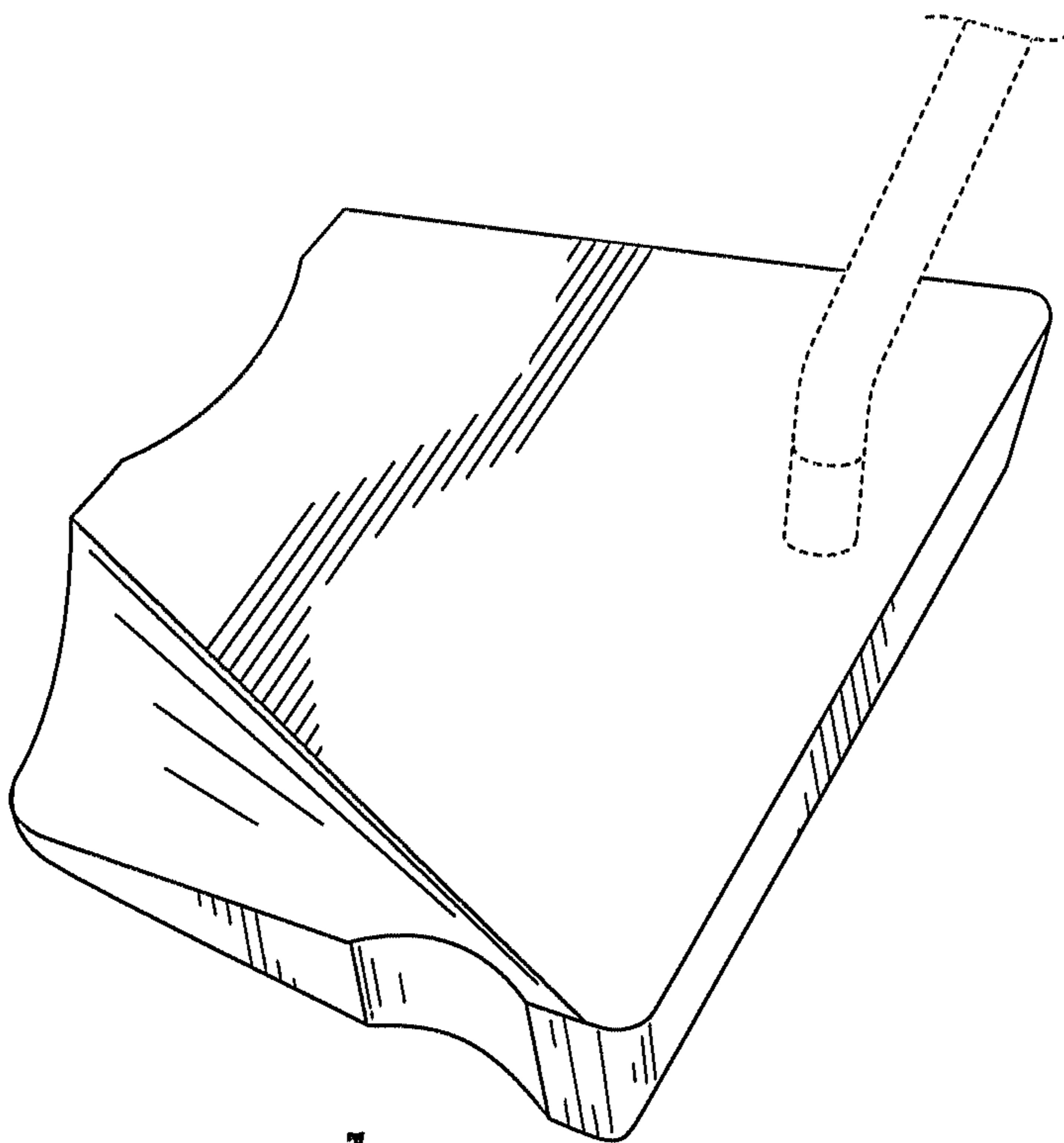


FIG. 1

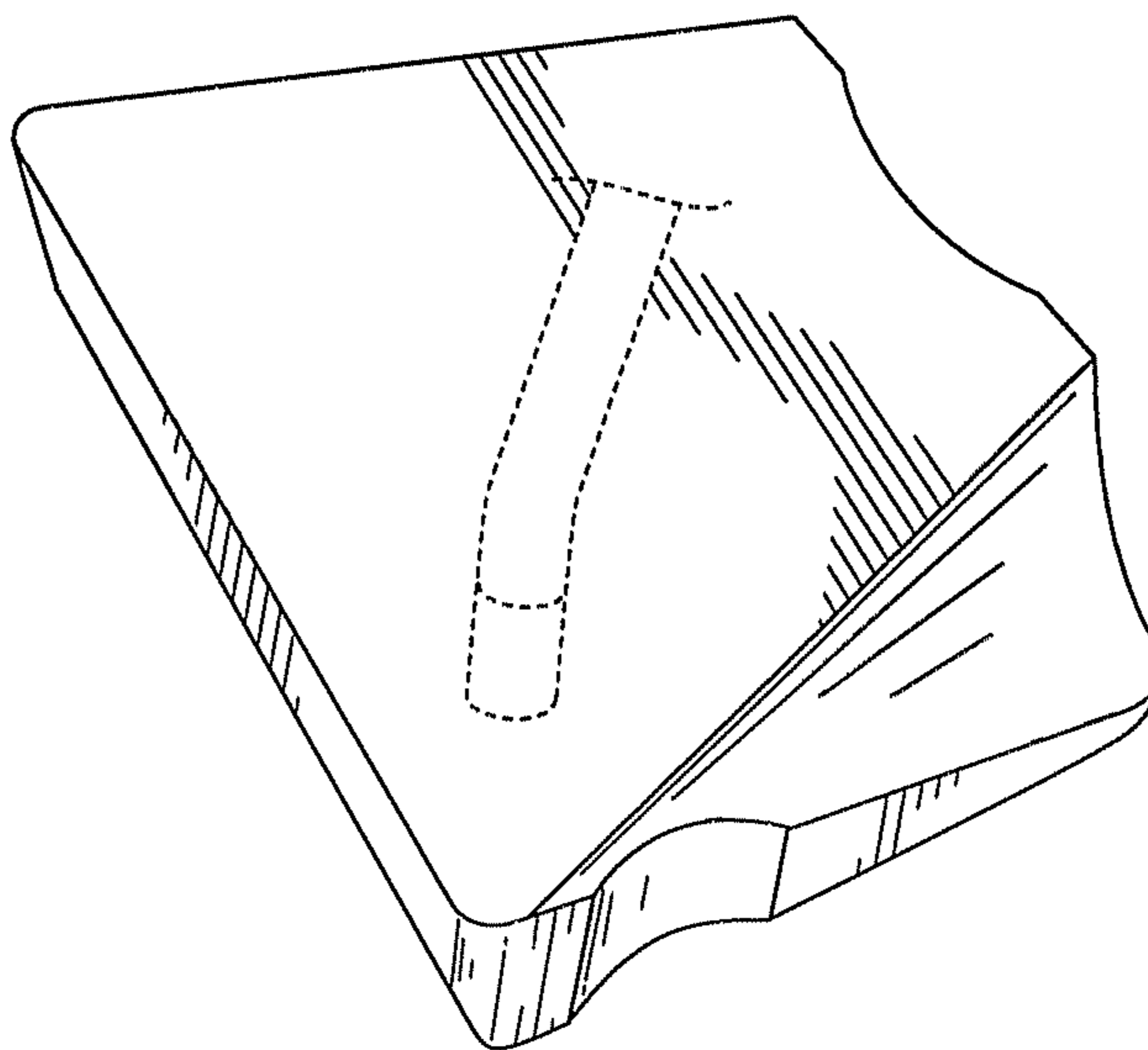


FIG. 2

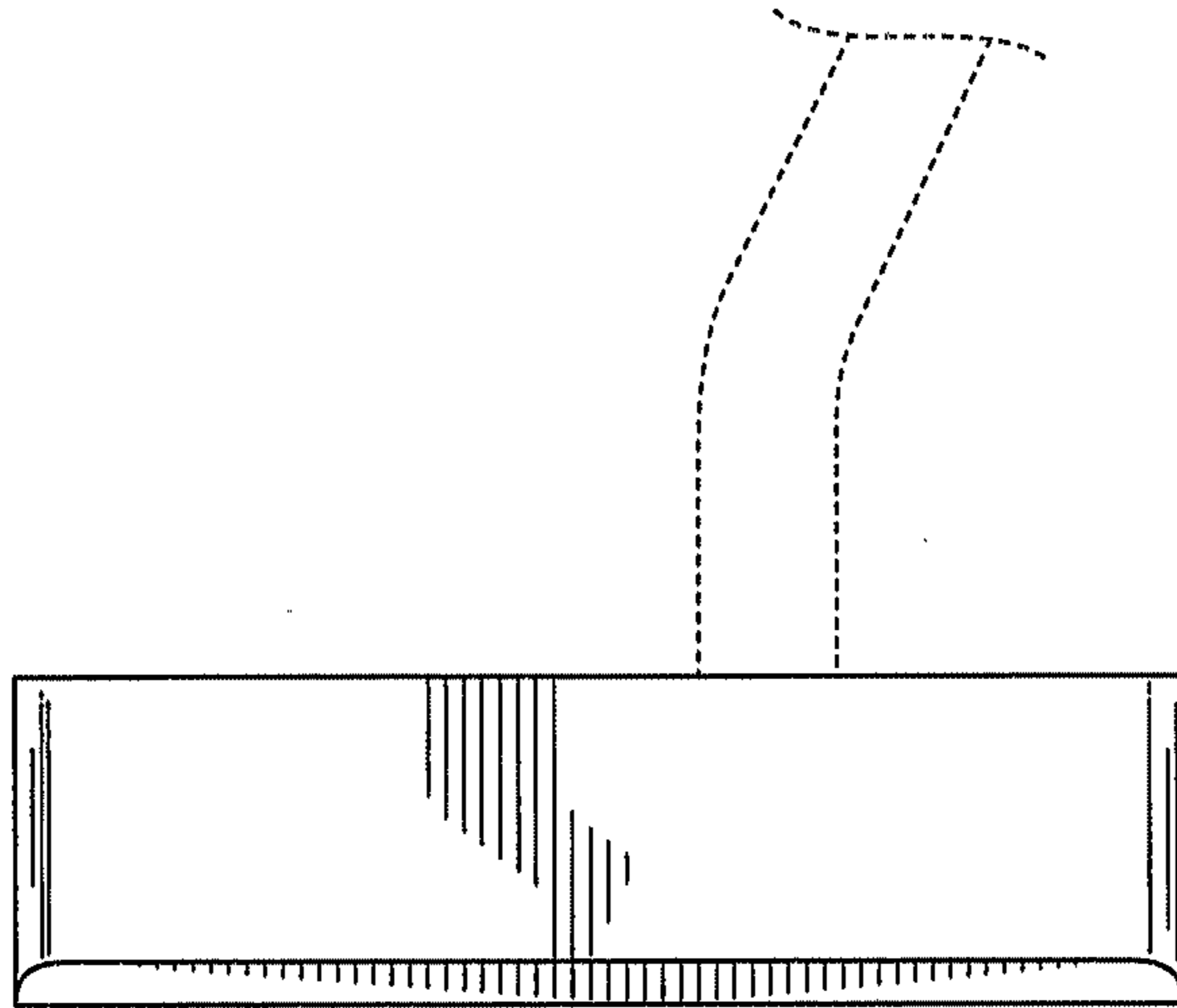


FIG. 3

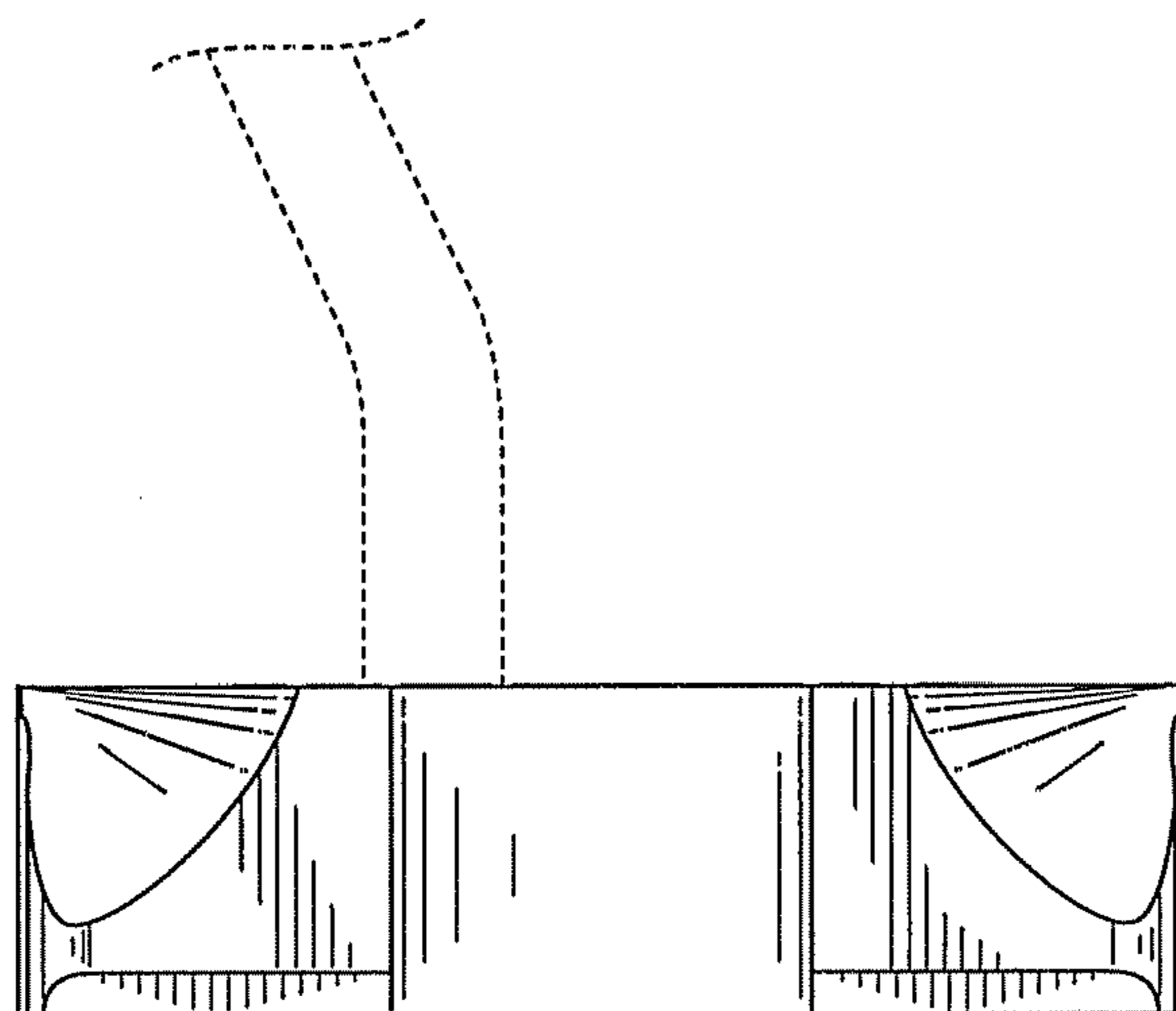


FIG. 4

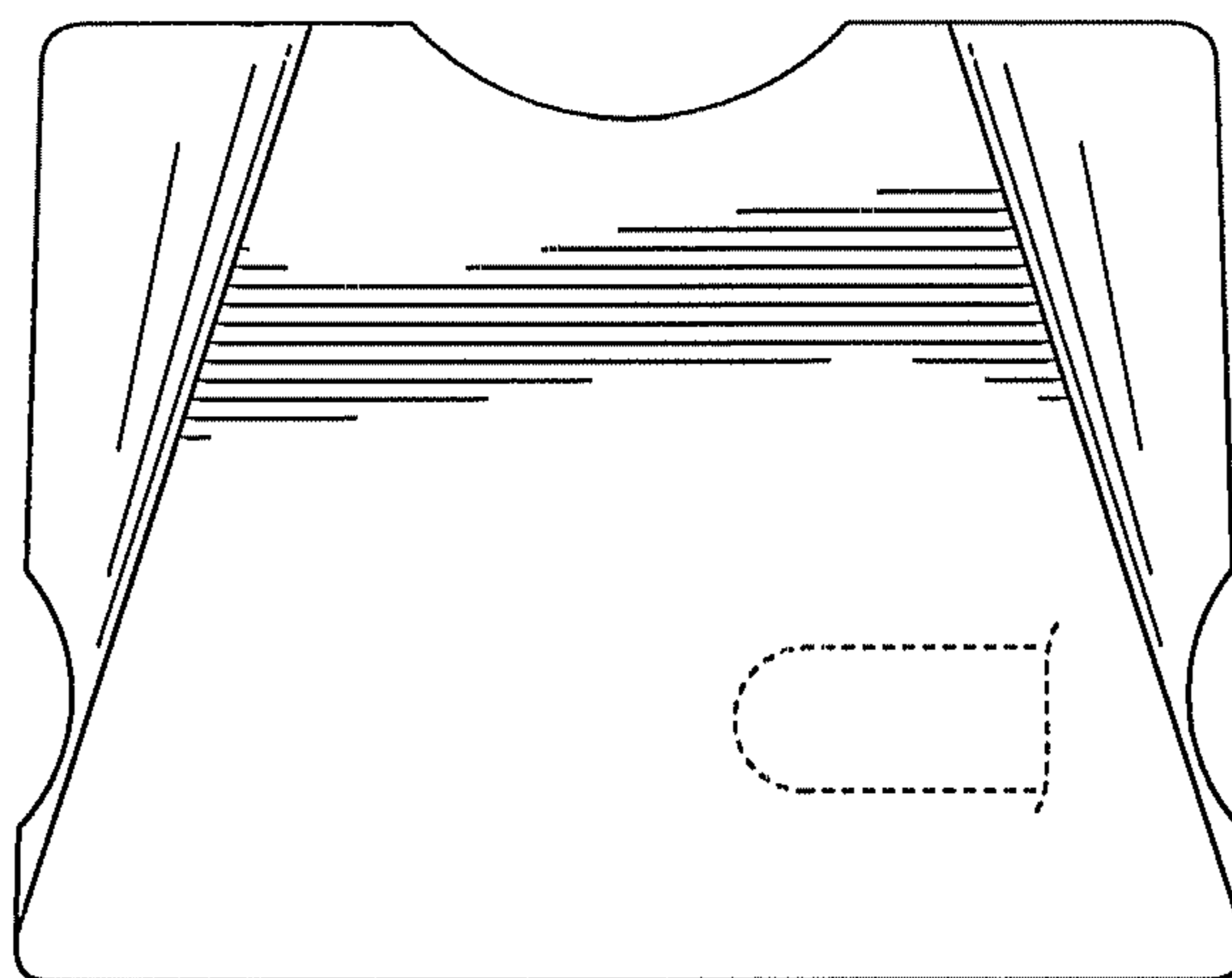


FIG. 5

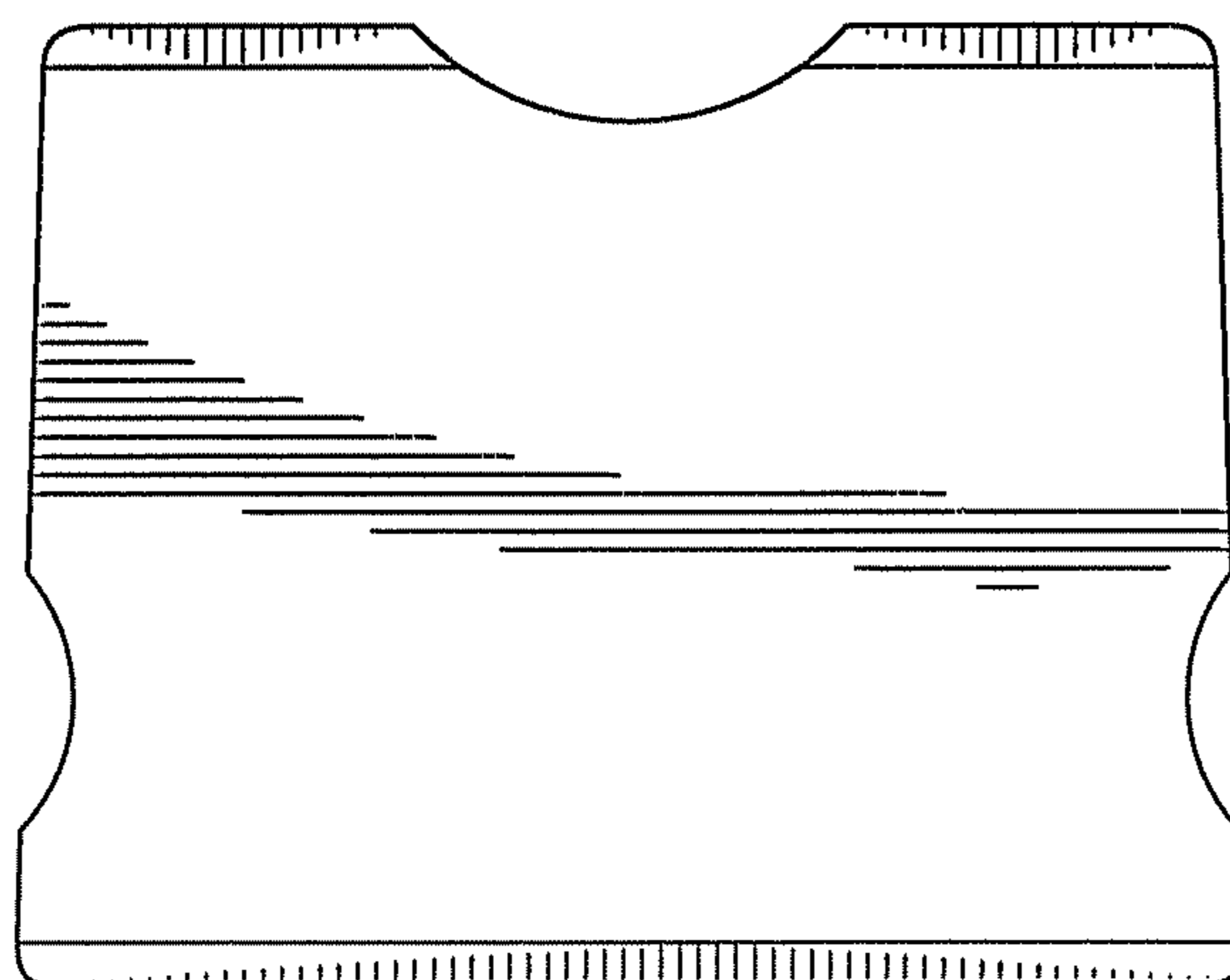


FIG. 6

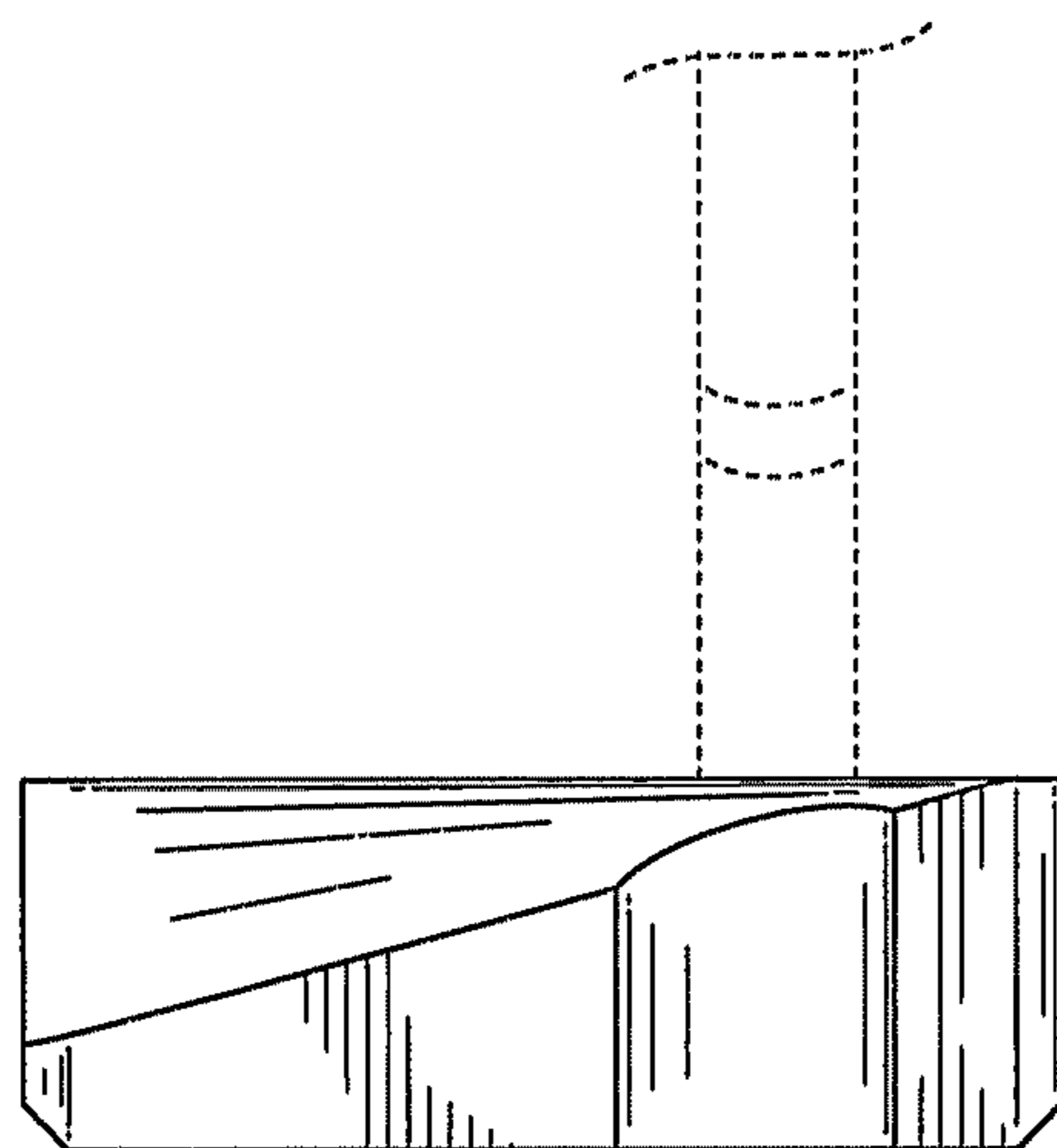


FIG. 7

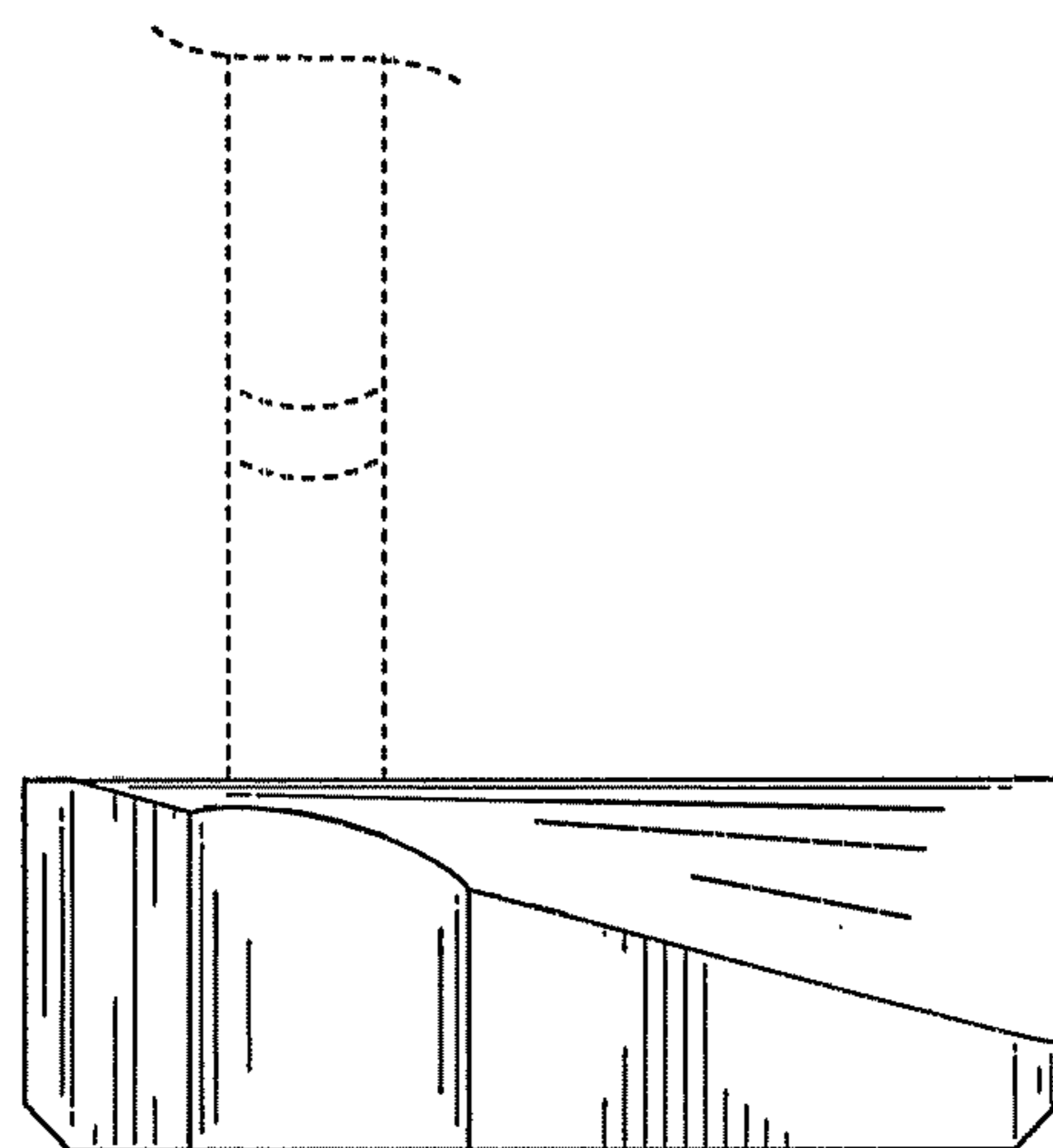


FIG. 8