



US00D710958S

(12) **United States Design Patent**
Mickle

(10) **Patent No.:** **US D710,958 S**

(45) **Date of Patent:** **** Aug. 12, 2014**

(54) **PUTTER HEAD**

(71) Applicant: **Wesley J. Mickle**, Weatherford, TX (US)

(72) Inventor: **Wesley J. Mickle**, Weatherford, TX (US)

(**) Term: **14 Years**

(21) Appl. No.: **29/442,133**

(22) Filed: **Dec. 14, 2012**

(51) **LOC (10) Cl.** **21-02**

(52) **U.S. Cl.**
USPC **D21/736**

(58) **Field of Classification Search**
USPC D21/736-746, 759; 473/324-331,
473/340-341, 251-256

See application file for complete search history.

(56) **References Cited**

U.S. PATENT DOCUMENTS

1,454,267 A	5/1923	Challis et al.	
2,843,384 A *	7/1958	Schmidt	D21/736
3,043,596 A	7/1962	Ehmke	
D206,549 S	12/1966	Mackenzie	
3,866,922 A	2/1975	Marci et al.	
3,873,094 A	3/1975	Sebo et al.	
4,222,566 A	9/1980	Berry	
4,326,716 A	4/1982	LaCoste	
4,369,974 A *	1/1983	Komperda	473/250
4,749,196 A	6/1988	Podgor	
5,082,277 A	1/1992	Gingold	
D325,414 S *	4/1992	Woolsey	D21/737
5,226,654 A	7/1993	Solheim	
5,467,989 A	11/1995	Good et al.	
D374,470 S *	10/1996	Steele	D21/745
D375,131 S *	10/1996	Williams	D21/743
D380,801 S *	7/1997	Steele	D21/744
D399,900 S *	10/1998	Hogan	D21/742
D403,387 S *	12/1998	Bloomer	D21/736
5,964,669 A *	10/1999	Bloomer	473/250
D435,879 S *	1/2001	Jackson	D21/736

RE37,519 E	1/2002	Densberger et al.	
D458,657 S	6/2002	Shmoldas et al.	
D484,935 S	1/2004	Tang	
D491,991 S *	6/2004	Friebus	D21/738
D503,447 S *	3/2005	Toroussian	D21/736
D520,089 S *	5/2006	Garcia	D21/744
D521,088 S *	5/2006	Mercier	D21/736
7,169,058 B1 *	1/2007	Fagan	473/330
D549,790 S	8/2007	Jazwiec	
7,905,794 B2 *	3/2011	Ross	473/250
D636,828 S *	4/2011	Ross	D21/736
D666,260 S *	8/2012	Cynn	D21/742
2007/0021237 A1	1/2007	Haack	

* cited by examiner

Primary Examiner — Mitchell Siegel

(74) *Attorney, Agent, or Firm* — Decker, Jones et al.; Brian K. Yost; Geoffrey A. Mantooth

(57) **CLAIM**

The ornamental design for a putter head, as shown and described.

DESCRIPTION

FIG. 1 is a perspective view of a putter head according to my new design;

FIG. 2 is a perspective view of a putter head according to my new design;

FIG. 3 is a front elevational view of the putter head shown in FIGS. 1 and 2;

FIG. 4 is a rear elevational view of the putter head shown in FIG. 3;

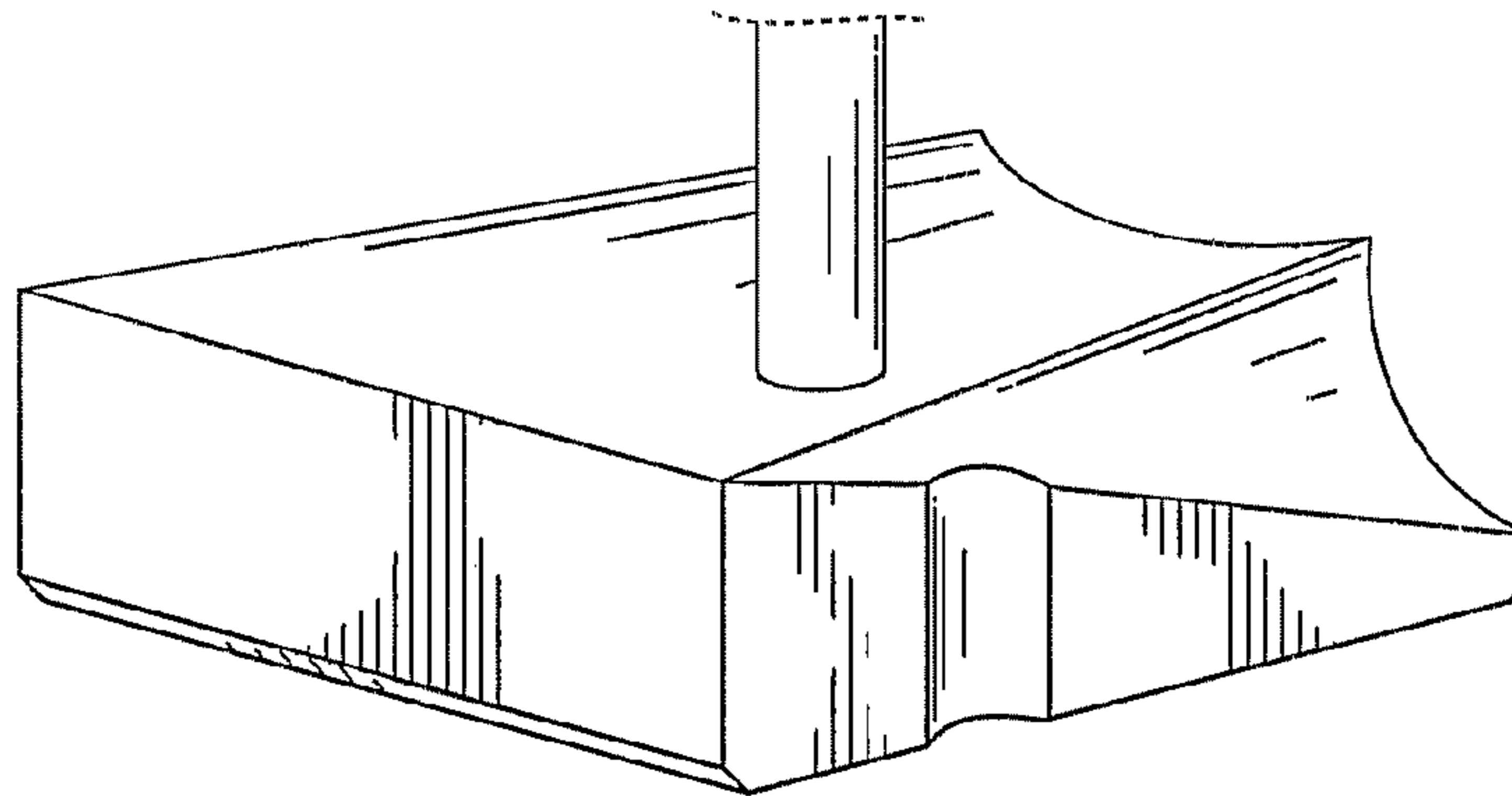
FIG. 5 is a top plan view of the putter head shown in FIG. 3;

FIG. 6 is a bottom plan view of the putter head shown in FIG. 5;

FIG. 7 is a side elevational view of the putter head shown in FIG. 2; and,

FIG. 8 is a side elevation view of the putter head shown in FIG. 1.

1 Claim, 2 Drawing Sheets



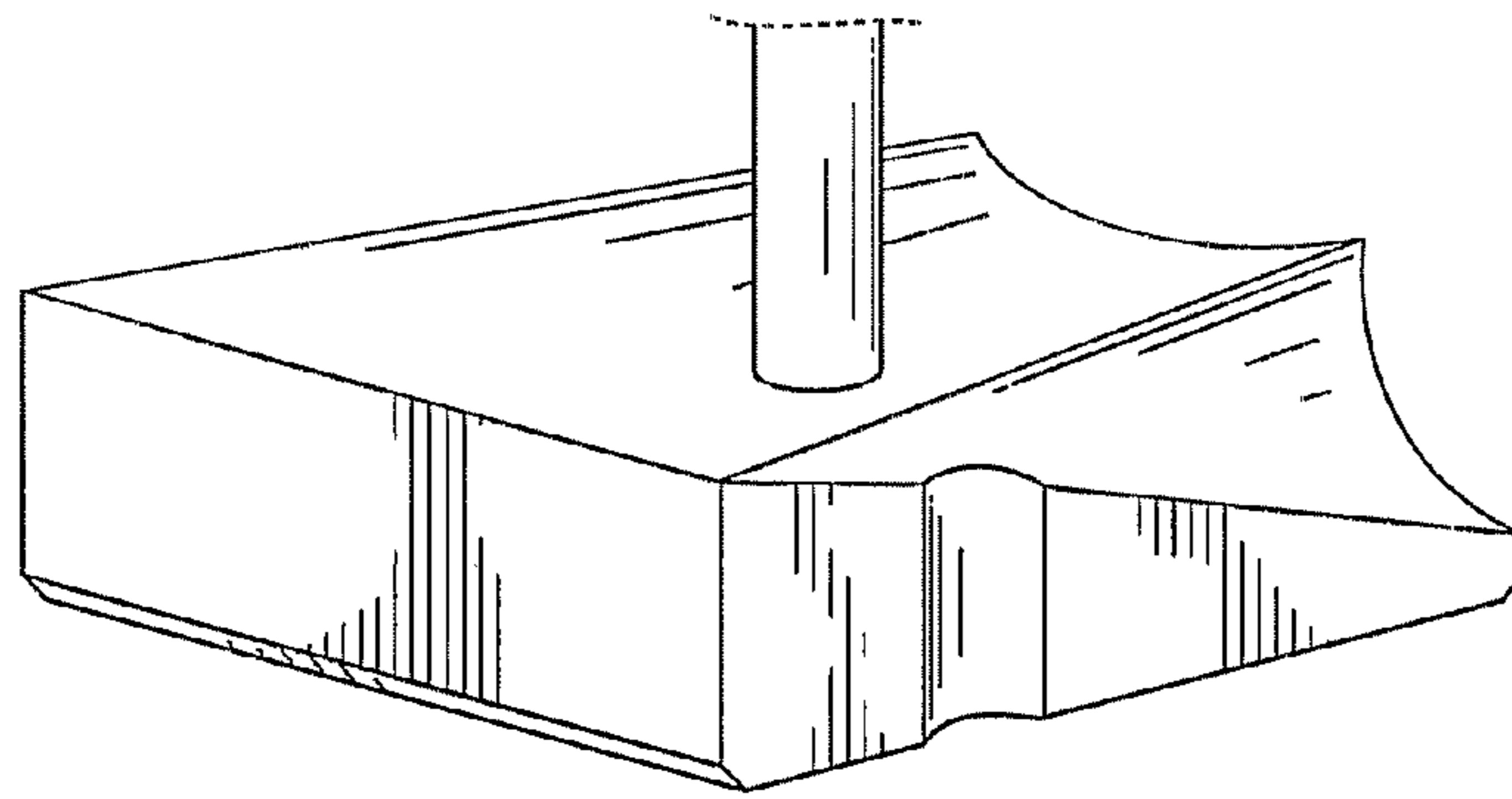


FIG. 1

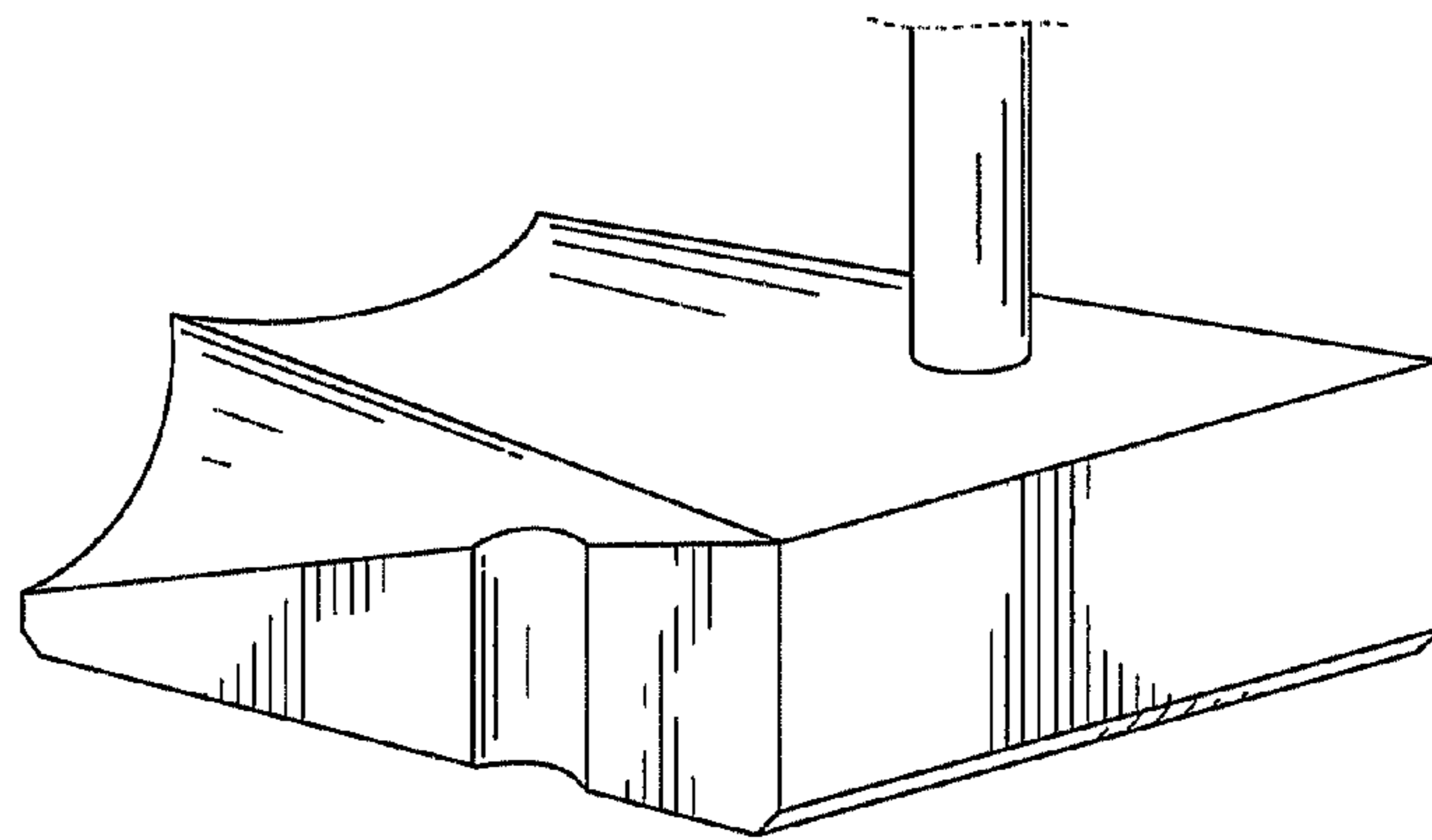


FIG. 2

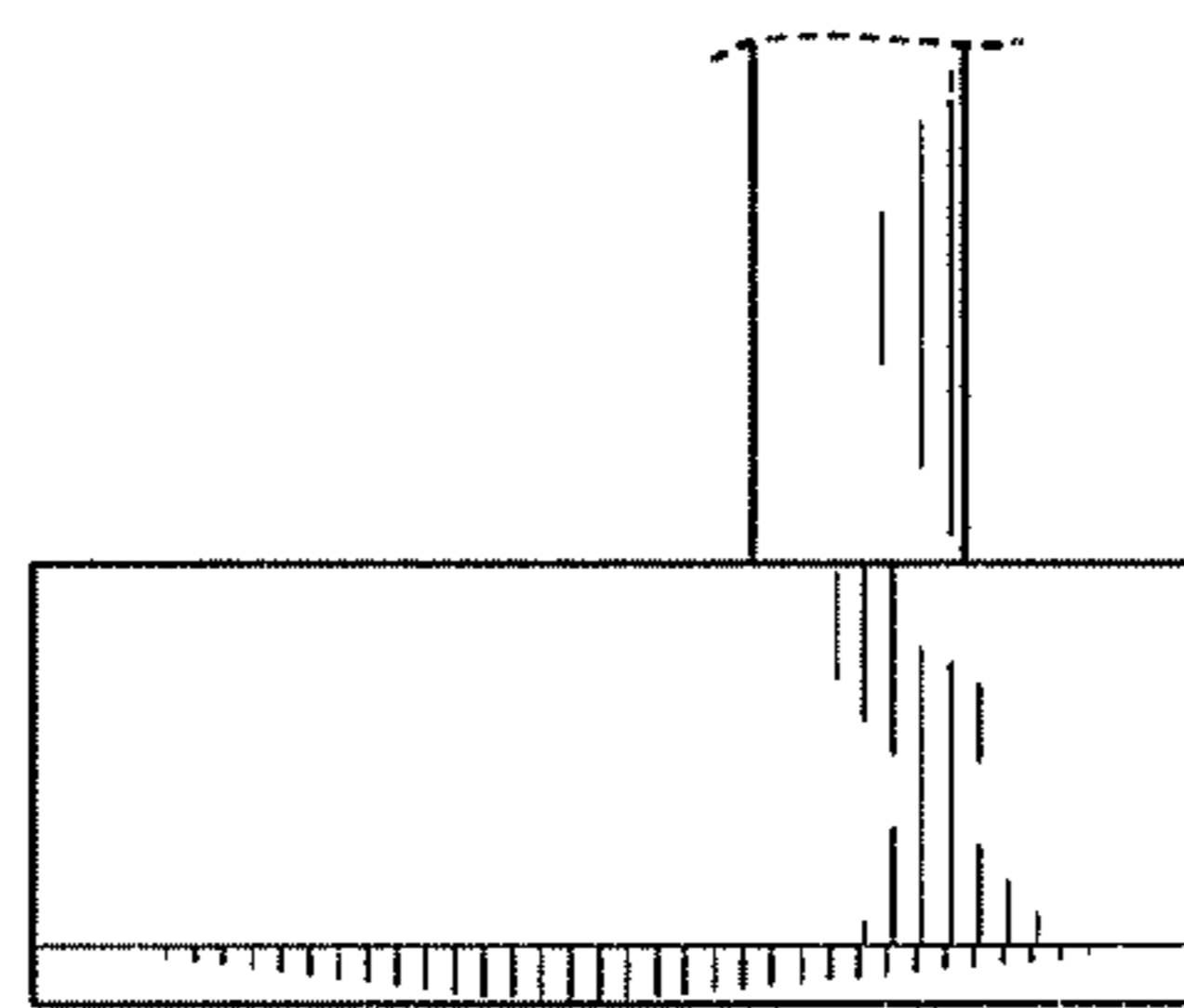


FIG. 3

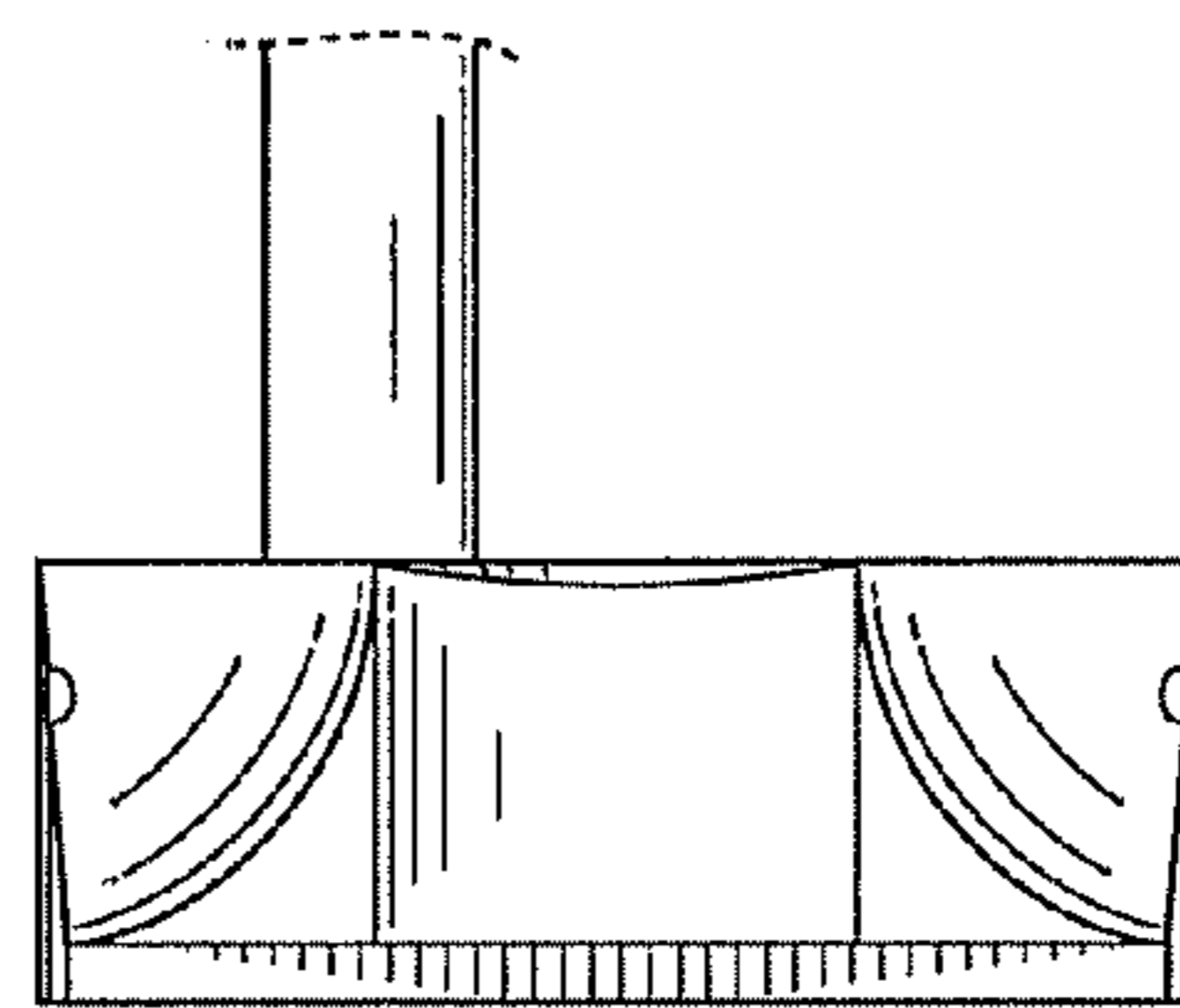


FIG. 4

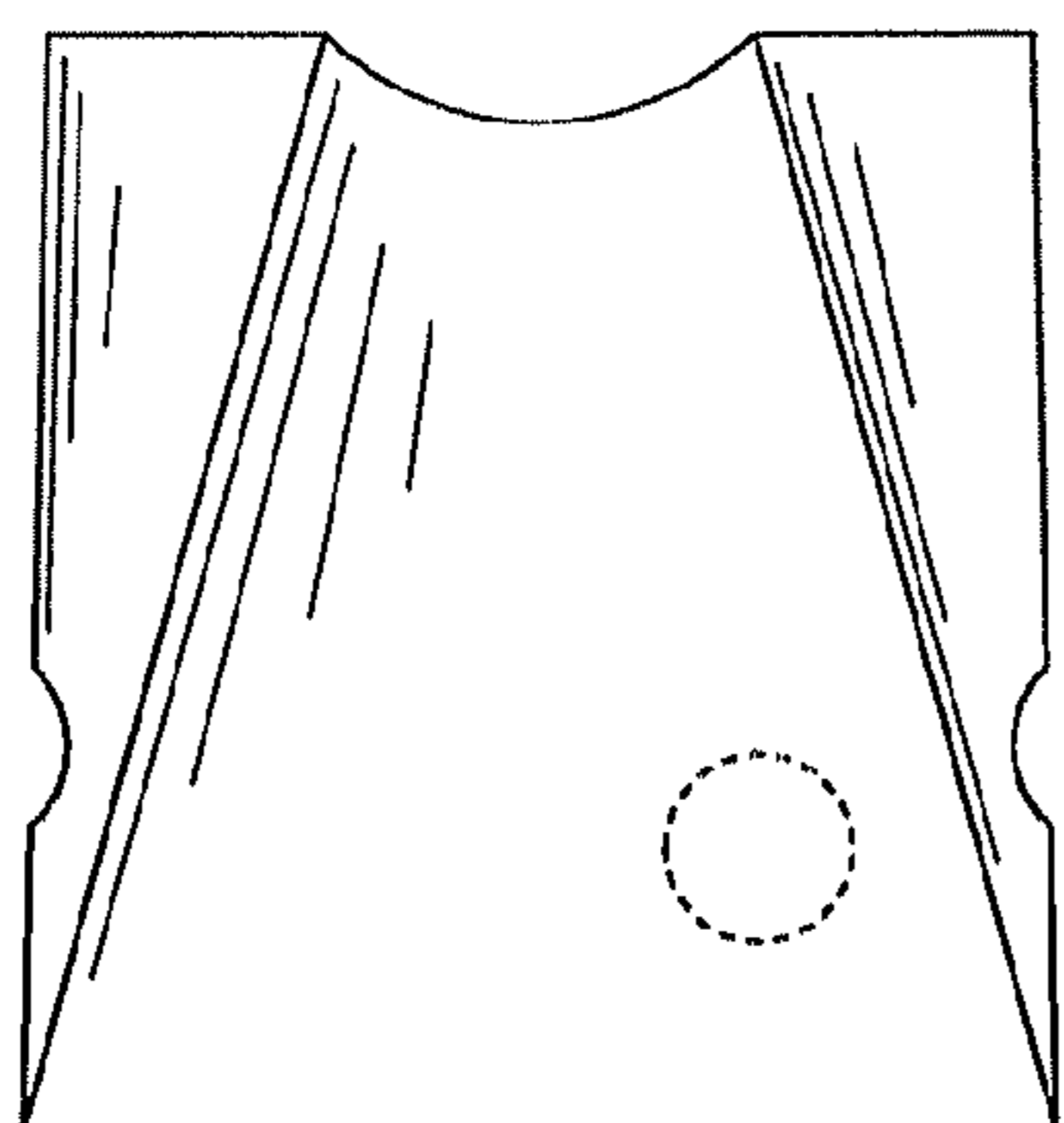


FIG. 5

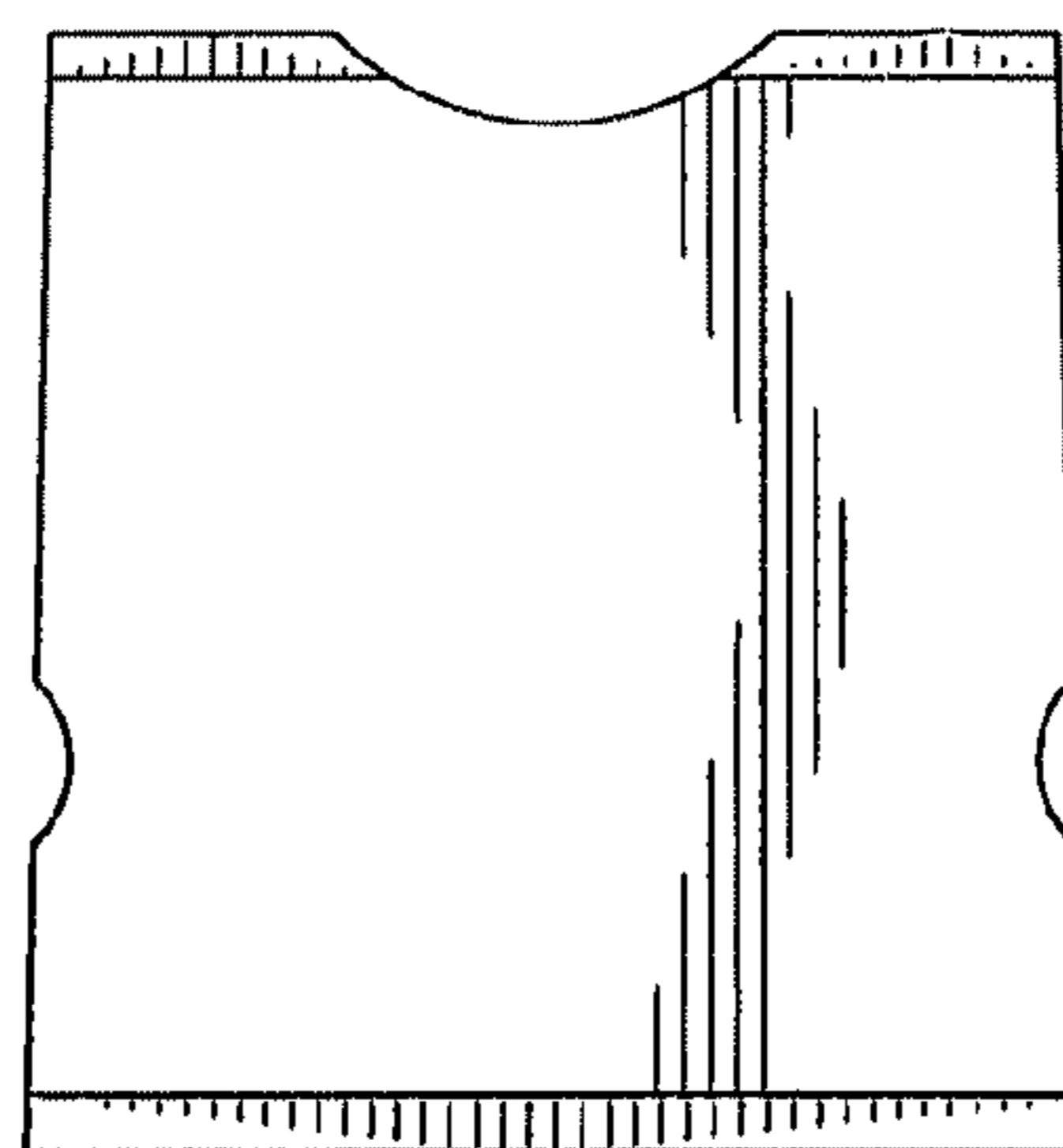


FIG. 6

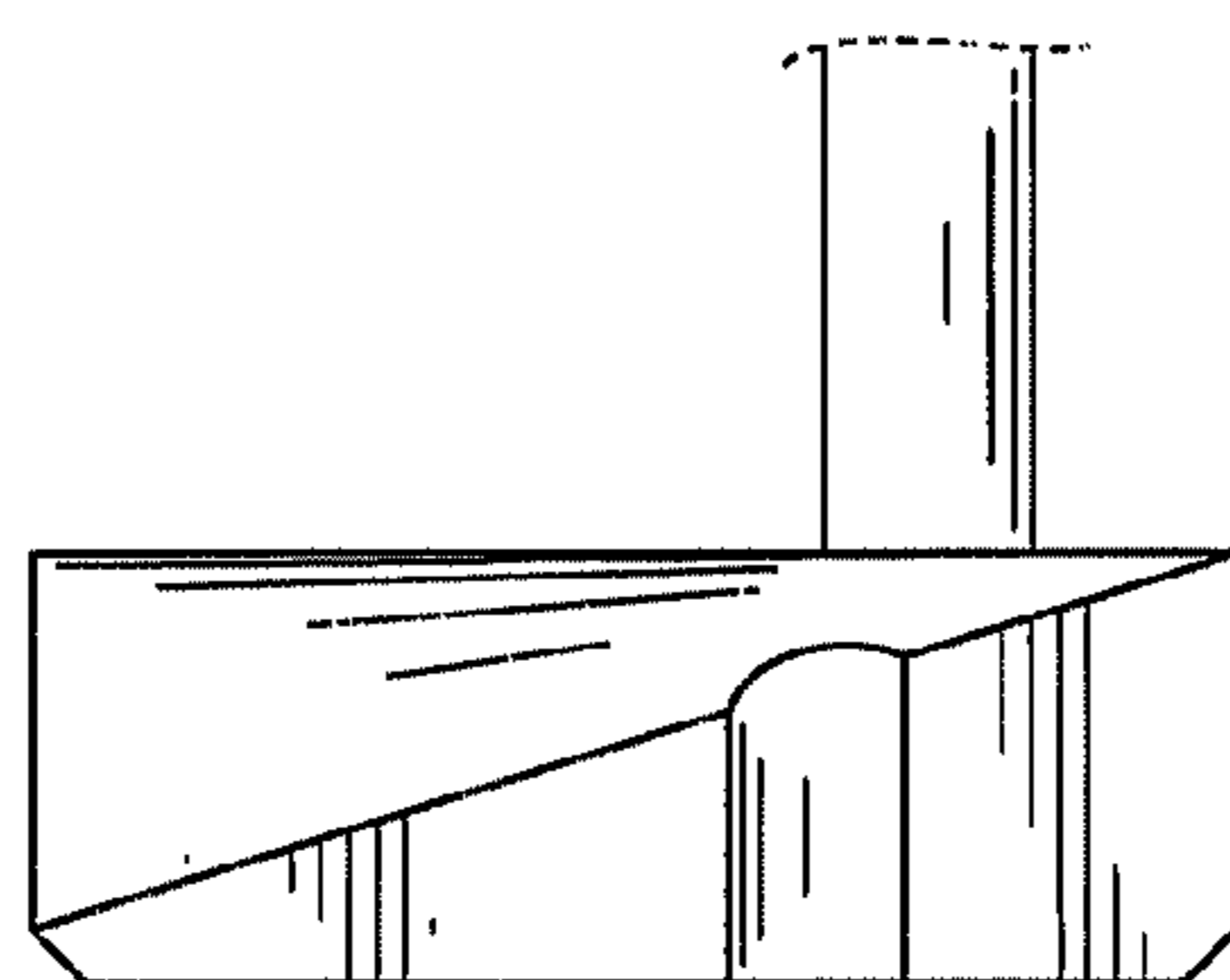


FIG. 7

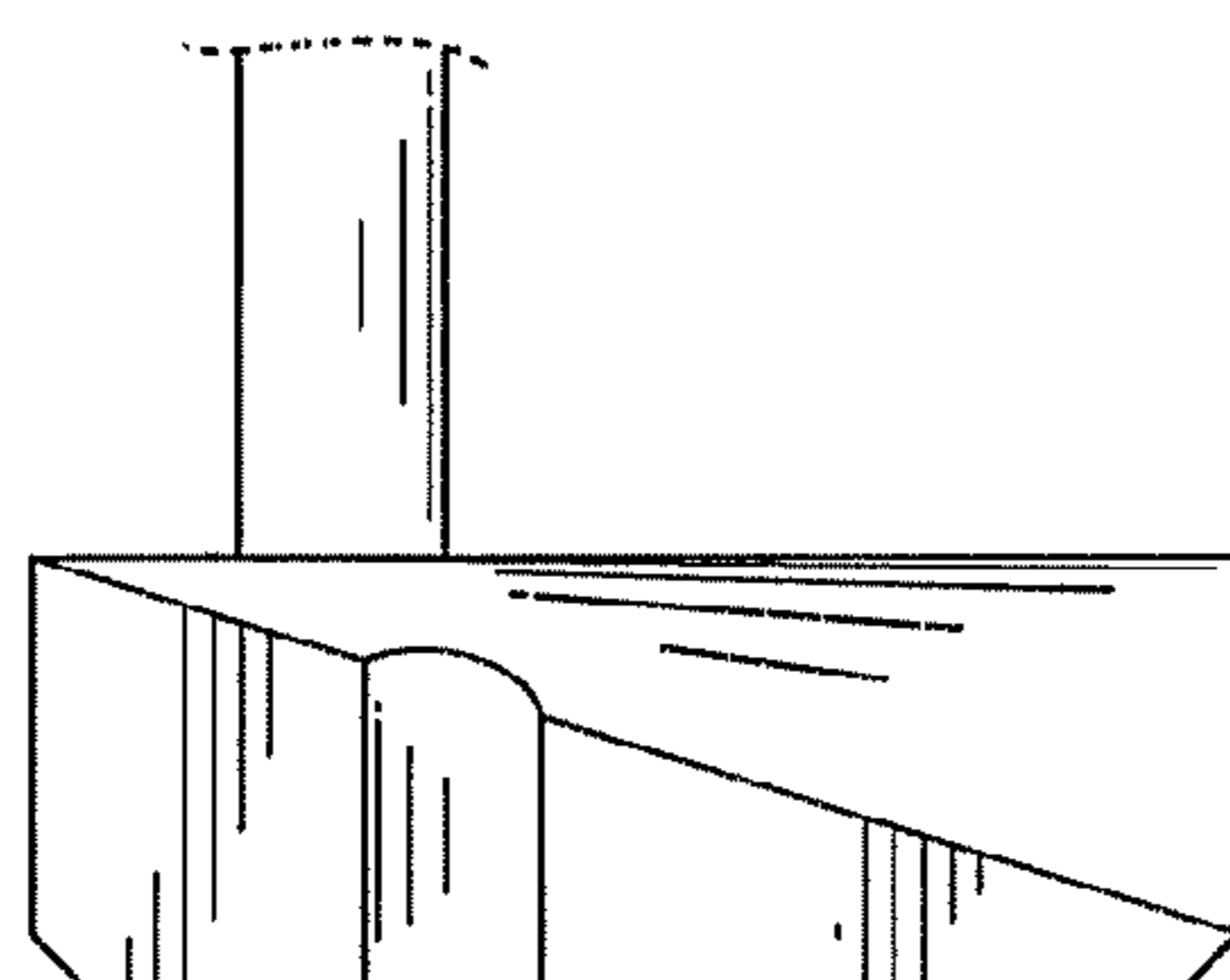


FIG. 8