



US00D710957S

(12) **United States Design Patent**
Goodwin et al.

(10) **Patent No.:** **US D710,957 S**

(45) **Date of Patent:** **** *Aug. 12, 2014**

(54) **BALL BAT**

(71) Applicant: **Wilson Sporting Goods Co.**, Chicago, IL (US)

(72) Inventors: **Ty B. Goodwin**, Vancouver, WA (US);
Sean S. Epling, Portland, OR (US);
John Thompson, Portland, OR (US)

(73) Assignee: **Wilson Sporting Goods Co.**, Chicago, IL (US)

(*) Notice: This patent is subject to a terminal disclaimer.

(**) Term: **14 Years**

(21) Appl. No.: **29/449,967**

(22) Filed: **Mar. 15, 2013**

(51) **LOC (10) Cl.** **21-02**

(52) **U.S. Cl.**
USPC **D21/725**

(58) **Field of Classification Search**
USPC D21/725; 473/564-568
See application file for complete search history.

(56) **References Cited**

U.S. PATENT DOCUMENTS

3,955,816 A * 5/1976 Bratt 473/457
D335,314 S * 5/1993 Coyle, Jr. D21/725

5,695,419 A * 12/1997 Haringa 473/564
6,053,828 A * 4/2000 Pitsenberger 473/566
D426,598 S * 6/2000 Kim D21/725
6,159,116 A * 12/2000 Pitsenberger 473/566
D445,859 S * 7/2001 Pitsenberger D21/725
D461,213 S * 8/2002 Smith D21/725
D590,900 S * 4/2009 Sass D21/725
D596,250 S * 7/2009 Sass D21/725
D640,339 S * 6/2011 Goldenthal D21/725
D649,210 S * 11/2011 Page D21/725
D664,616 S * 7/2012 Page D21/725

* cited by examiner

Primary Examiner — Mitchell Siegel

(74) *Attorney, Agent, or Firm* — Terence P. O'Brien

(57) **CLAIM**

We claim the ornamental design for a ball bat, as shown and described.

DESCRIPTION

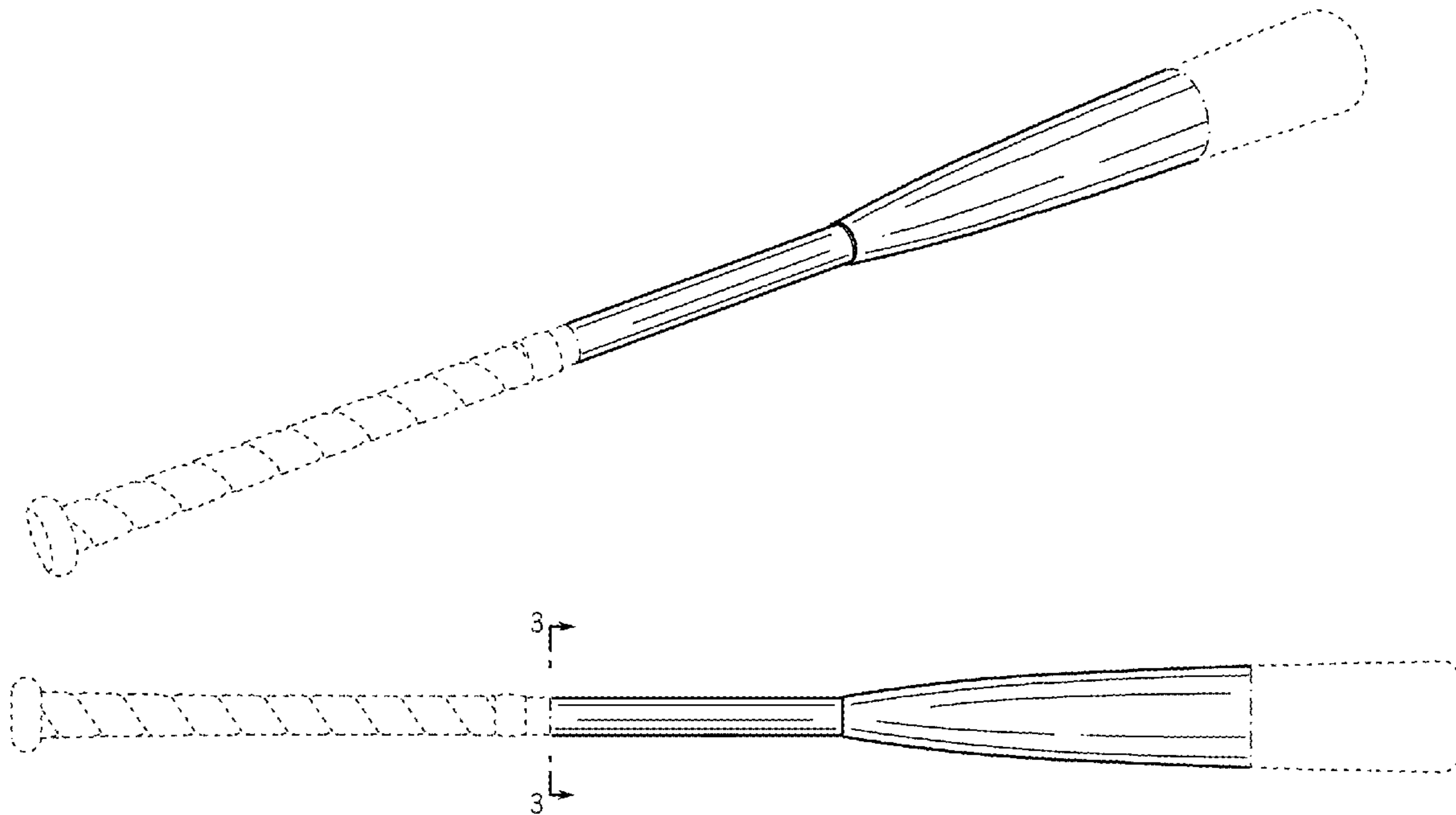
FIG. 1 is a side perspective view of a ball bat of the present design;

FIG. 2 is a side view of the ball bat of FIG. 1; and,

FIG. 3 is an end view of the ball bat of FIG. 1.

The ornamental design that is claimed is shown in solid lines in the drawings. The broken (dashed) lines shown in FIGS. 1 through 3 are included only for the purpose of illustrating environmental elements and break lines, and form no part of the claimed design.

1 Claim, 1 Drawing Sheet



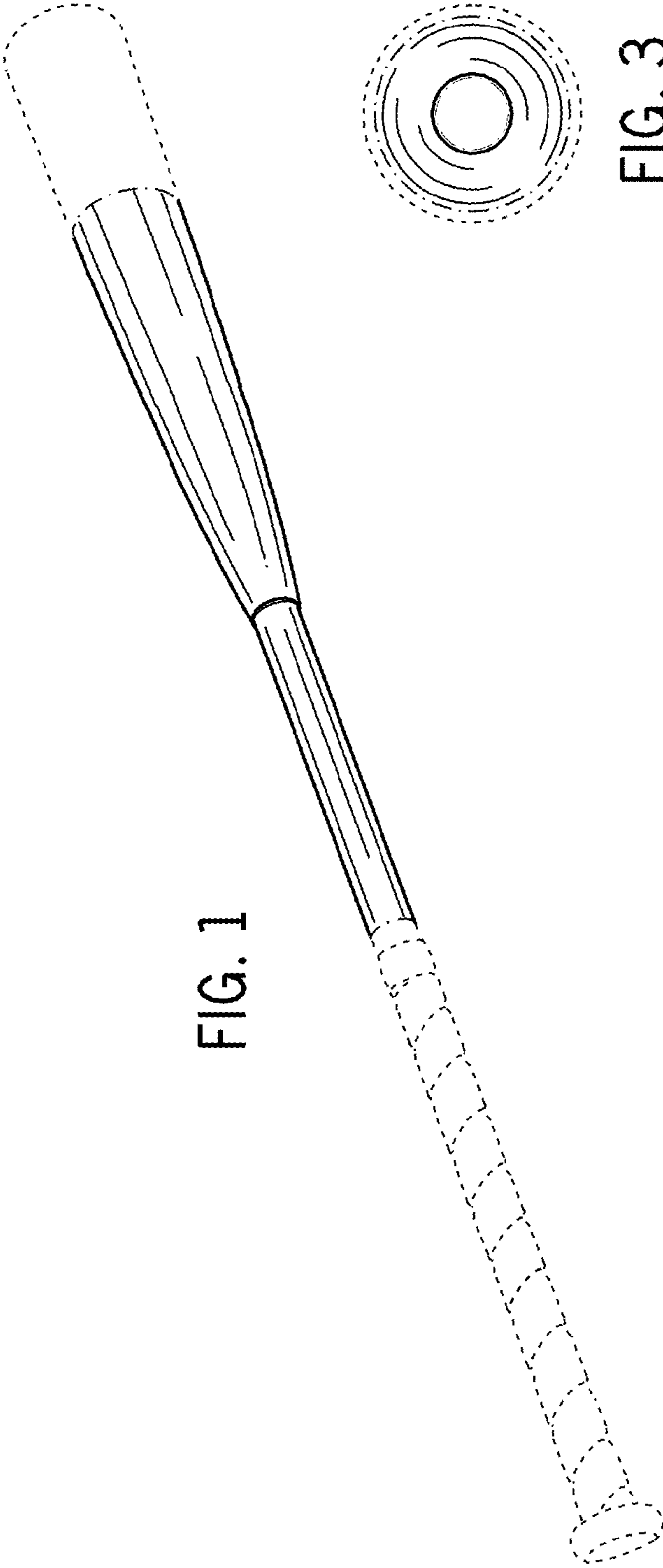


FIG. 1

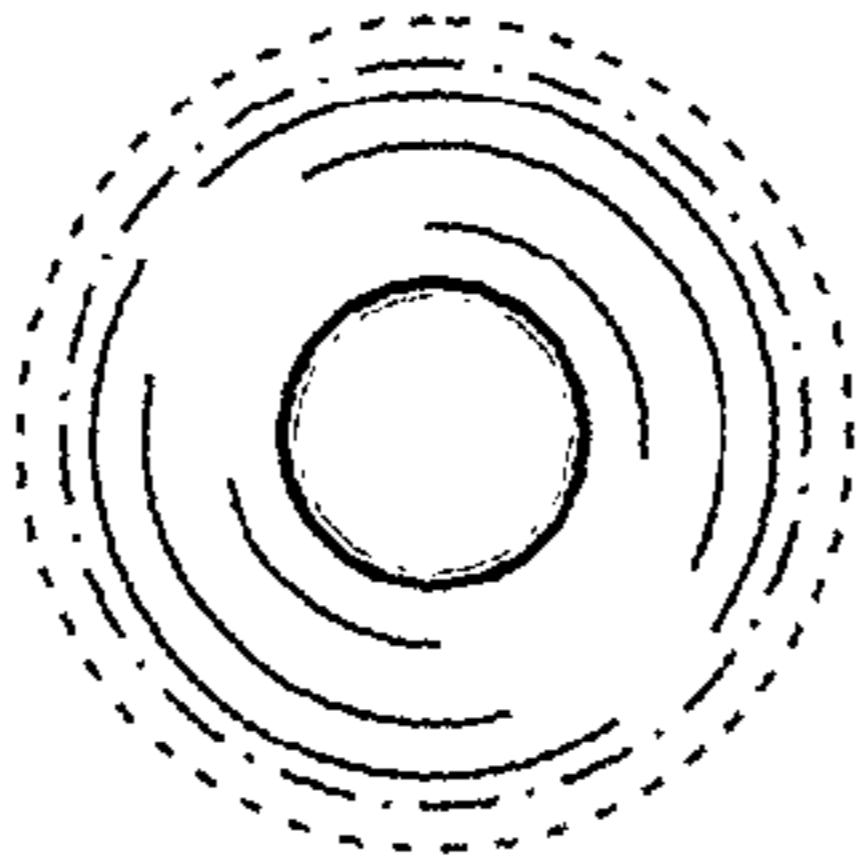


FIG. 3

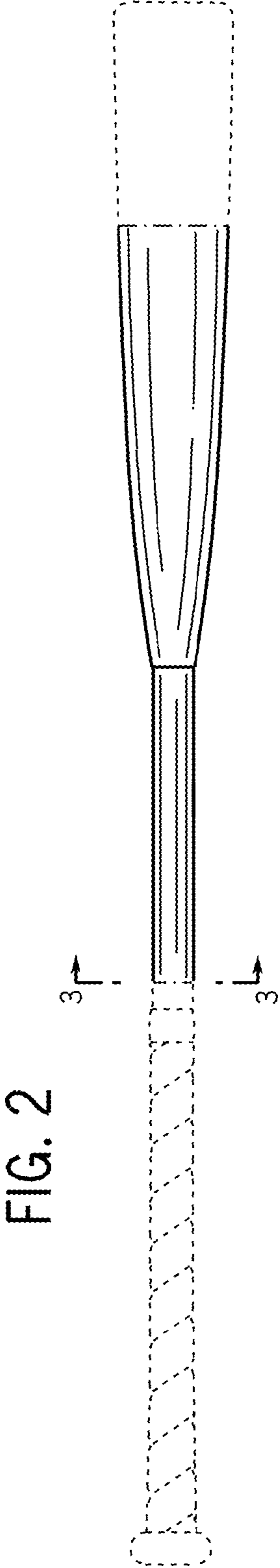


FIG. 2