



US00D710950S

(12) **United States Design Patent**  
**Grout**

(10) **Patent No.:** **US D710,950 S**

(45) **Date of Patent:** **\*\* Aug. 12, 2014**

(54) **RIDE-ON VEHICLE**

(71) Applicant: **Radio Flyer Inc.**, Chicago, IL (US)

(72) Inventor: **Ian Grout**, Strykersville, NY (US)

(73) Assignee: **Radio Flyer Inc.**, Chicago, IL (US)

(\*\*) Term: **14 Years**

(21) Appl. No.: **29/449,705**

(22) Filed: **Mar. 15, 2013**

(51) **LOC (10) Cl.** ..... **21-01**

(52) **U.S. Cl.**  
USPC ..... **D21/424**

(58) **Field of Classification Search**  
USPC ..... D21/419, 423, 424, 425, 426, 427, 428;  
280/87.01, 87.021, 218, 224, 225, 232,  
280/233, 242.1; D12/112  
See application file for complete search history.

(56) **References Cited**

**U.S. PATENT DOCUMENTS**

210,435 A	12/1878	Root	
837,812 A	5/1908	Johnson	
1,652,284 A	12/1927	Madsen	
D109,988 S *	6/1938	Klatt	D21/426
D120,981 S *	6/1940	Anderson	D21/426
2,577,416 A	3/1949	Geisse	
D208,483 S	9/1967	Walklet	
3,663,038 A	5/1972	Hendricks	
D230,755 S	3/1974	Brightbill	
4,076,270 A	2/1978	Winchell	
4,087,106 A	5/1978	Winchell	
4,088,338 A	5/1978	Winchell et al.	
4,123,079 A	10/1978	Biskup	
4,165,093 A	8/1979	Biskup	
4,200,304 A	4/1980	Hwang	
4,281,844 A	8/1981	Jackman et al.	
4,540,192 A	9/1985	Shelton	

4,776,604 A	10/1988	Valdez et al.	
5,039,121 A	8/1991	Holter	
5,090,716 A	2/1992	Borden	
D437,364 S	2/2001	Jang	
D444,184 S	6/2001	Kettler	
6,250,656 B1	6/2001	Ibarra	
D448,430 S	9/2001	Wang	
6,306,065 B1 *	10/2001	Liang	280/218
6,467,781 B1	10/2002	Feng	
6,499,751 B1	12/2002	Beleski, Jr.	

(Continued)

**OTHER PUBLICATIONS**

<<http://plasmacar.com/#page-2>>, PlasmaCar, Ride On Toy, dated at least as early as Jun. 25, 2012.

(Continued)

*Primary Examiner* — Cynthia M Chin  
(74) *Attorney, Agent, or Firm* — McDermott Will & Emery LLP

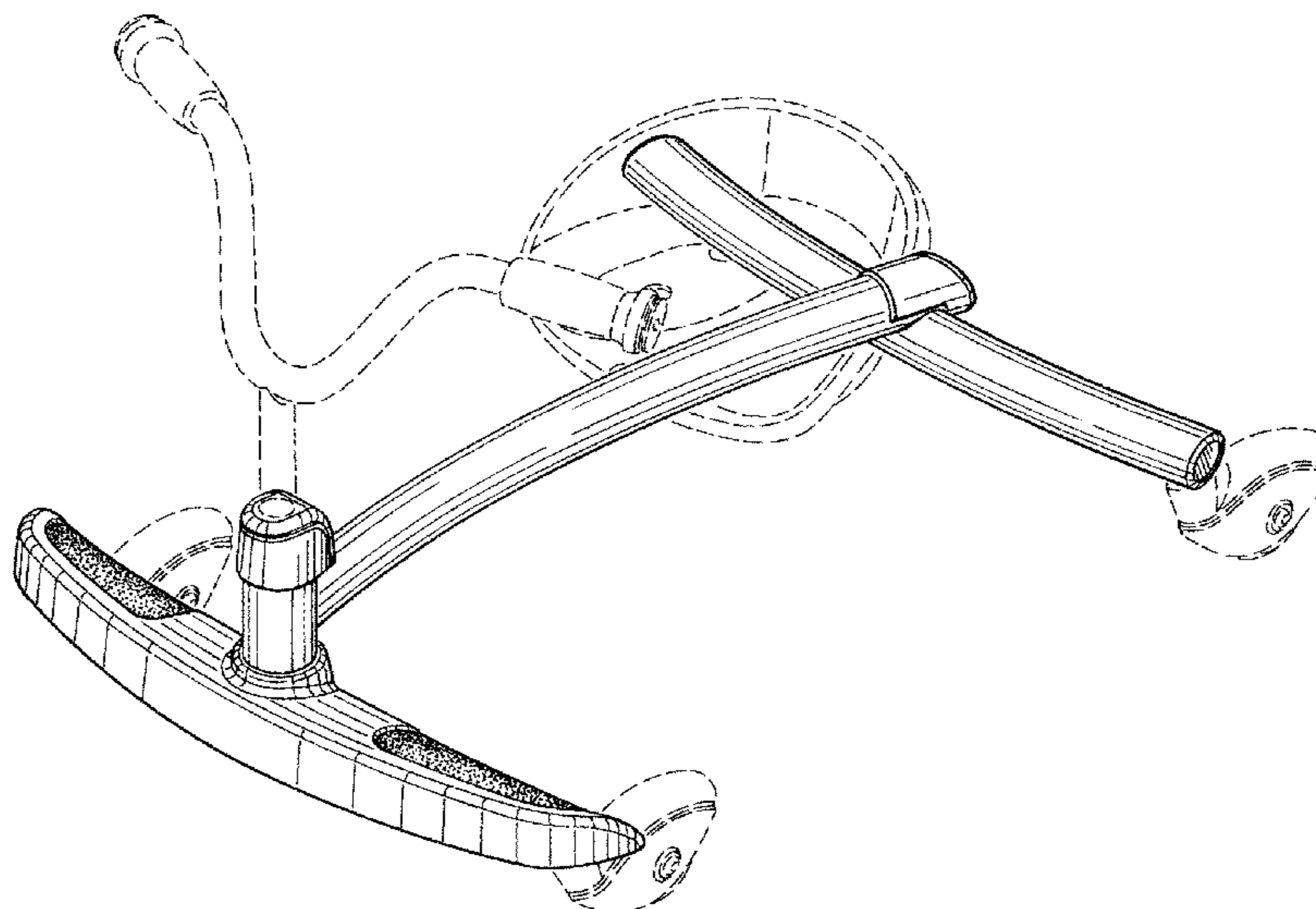
(57) **CLAIM**

I claim the ornamental design for a ride-on vehicle, as shown and described.

**DESCRIPTION**

FIG. 1 is a perspective view of a ride-on vehicle according to the new design;  
FIG. 2 is a side view of the ride-on vehicle shown in FIG. 1;  
FIG. 3 is a top view of the ride-on vehicle shown in FIG. 1;  
FIG. 4 is a front view of the ride-on vehicle shown in FIG. 1;  
FIG. 5 is a back view of the ride-on vehicle shown in FIG. 1;  
and,  
FIG. 6 is a bottom view of the ride-on vehicle shown in FIG. 1.  
Features shown in broken lines in the drawings are not part of the claim.

**1 Claim, 5 Drawing Sheets**



(56)

**References Cited**

U.S. PATENT DOCUMENTS

D469,819 S 2/2003 Nicolle et al.  
 6,561,534 B2 5/2003 Gu  
 D481,423 S 10/2003 Nien  
 6,719,310 B1 4/2004 Lin  
 6,908,090 B2 6/2005 Chuang  
 6,908,091 B2 6/2005 Chuang  
 6,976,687 B2 12/2005 Beleski, Jr.  
 7,007,962 B2 3/2006 Lai  
 D524,875 S \* 7/2006 Lim ..... D21/423  
 7,192,038 B2 \* 3/2007 Tsai ..... 280/87.041  
 D569,448 S 5/2008 Sramek et al.  
 D582,992 S 12/2008 Alais  
 7,597,334 B2 10/2009 Chen  
 7,681,895 B2 3/2010 Chen  
 7,926,825 B2 4/2011 Chen  
 D654,542 S 2/2012 Chiu et al.  
 8,128,109 B2 3/2012 Chen  
 D692,505 S \* 10/2013 Jiang ..... D21/426  
 D692,506 S \* 10/2013 Jiang ..... D21/426  
 2001/0040352 A1 11/2001 Wang et al.  
 2004/0032105 A1 2/2004 Tsai  
 2007/0114743 A1 5/2007 Chen

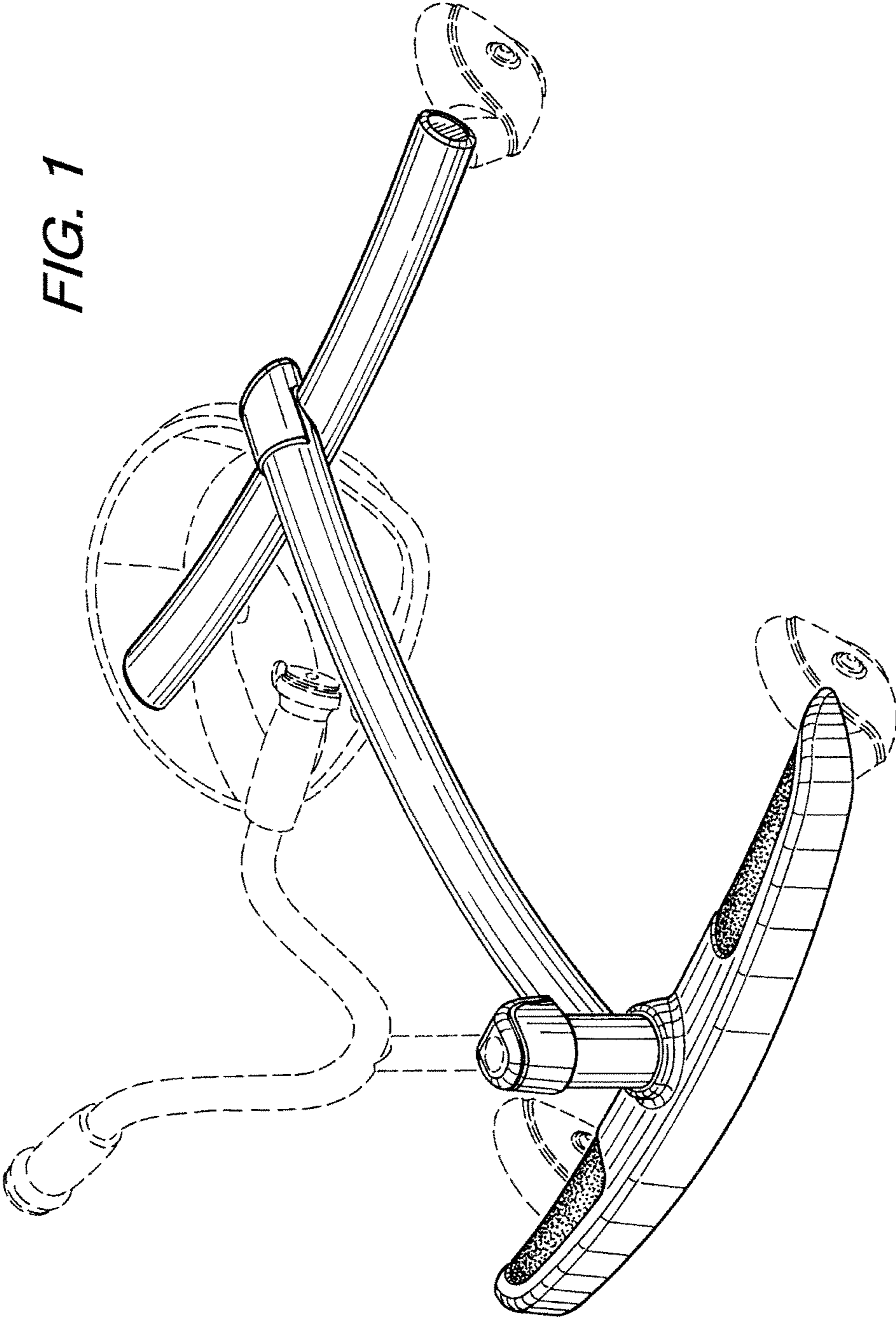
2008/0029985 A1 2/2008 Chen  
 2010/0117316 A1 5/2010 Weiner et al.  
 2011/0018215 A1 1/2011 Kristiansen  
 2011/0227305 A1 9/2011 Chen  
 2011/0241302 A1 10/2011 Lovley, II et al.  
 2012/0080860 A1 4/2012 Park

OTHER PUBLICATIONS

<<http://masoncorporation.com/shop/flying-turtle-nnerch/>>, Flying Turtle Scooter, Ride On Toy, dated at least as early as Jun. 25, 2012.  
 <<http://yvolution.com/products/31-Y-Fliker-A3-Red.htnnl>>, Y Volution Flicker, Ride On Toy, dated at least as early as Jun. 25, 2012.  
 <<http://www.pulsescooters.com/categories/1-products/16-series-kick/>>, Pulse Slither, Scooter, dated at least as early as Jun. 25, 2012.  
 <<http://www.razor.com/products/ripstik/>>, Razor Ripstik, Ride On Toy, dated at least as early as Jun. 25, 2012.  
 <<http://www.razor.com/products/caster-driven/siegel/>>, Razor Siege, Scooter, dated at least as early as Jun. 25, 2012.  
 <<http://www.razor.com/products/caster-driven/powerwing/>>, Razor Powerwing, Ride On Toy, dated at least as early as Jun. 25, 2012.  
 Owner's Manual, "Razor RipRider 360° Caster Trike," Ride On Toy, dated at least as early as Jun. 25, 2012.

\* cited by examiner

FIG. 1



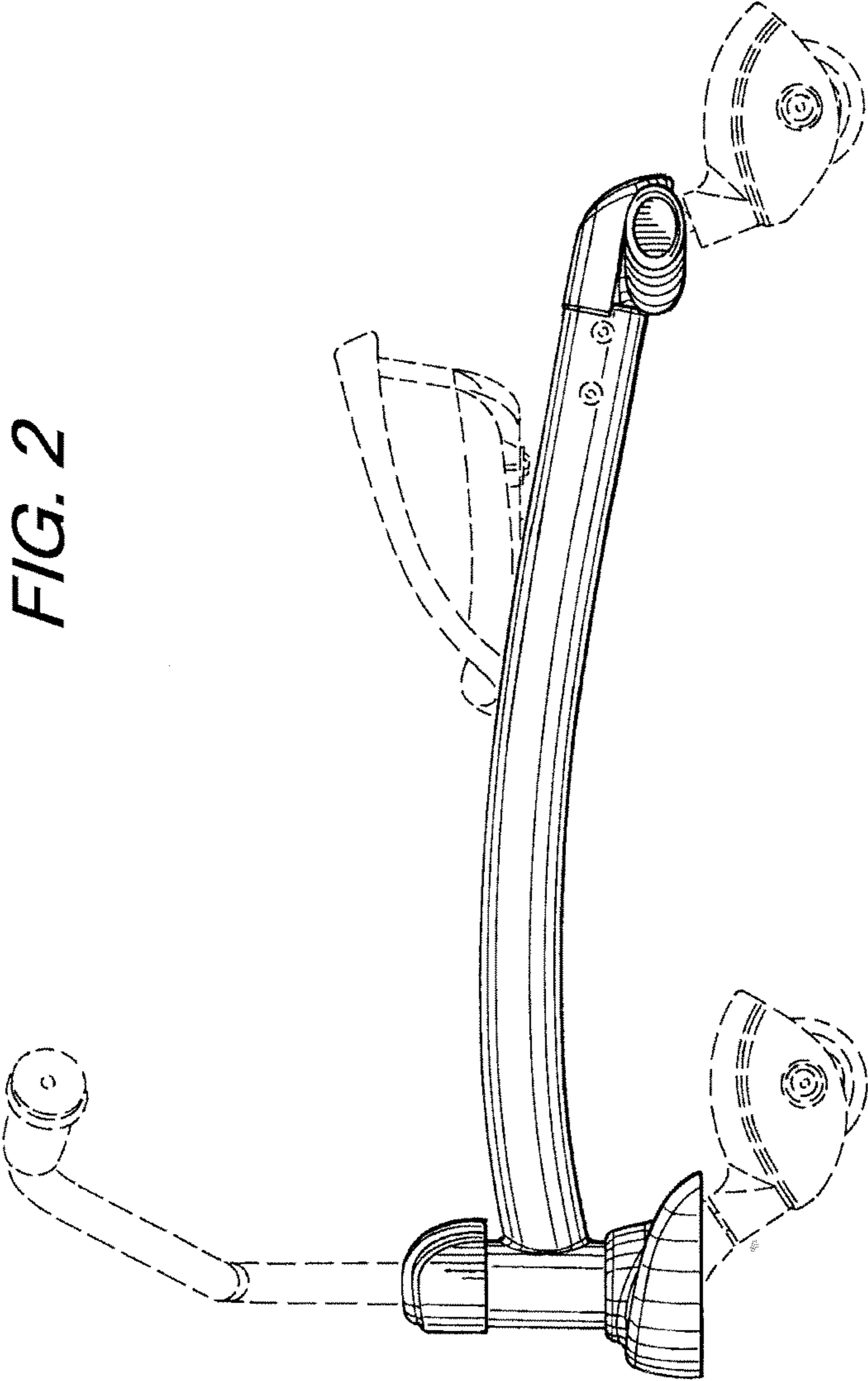


FIG. 2

FIG. 3

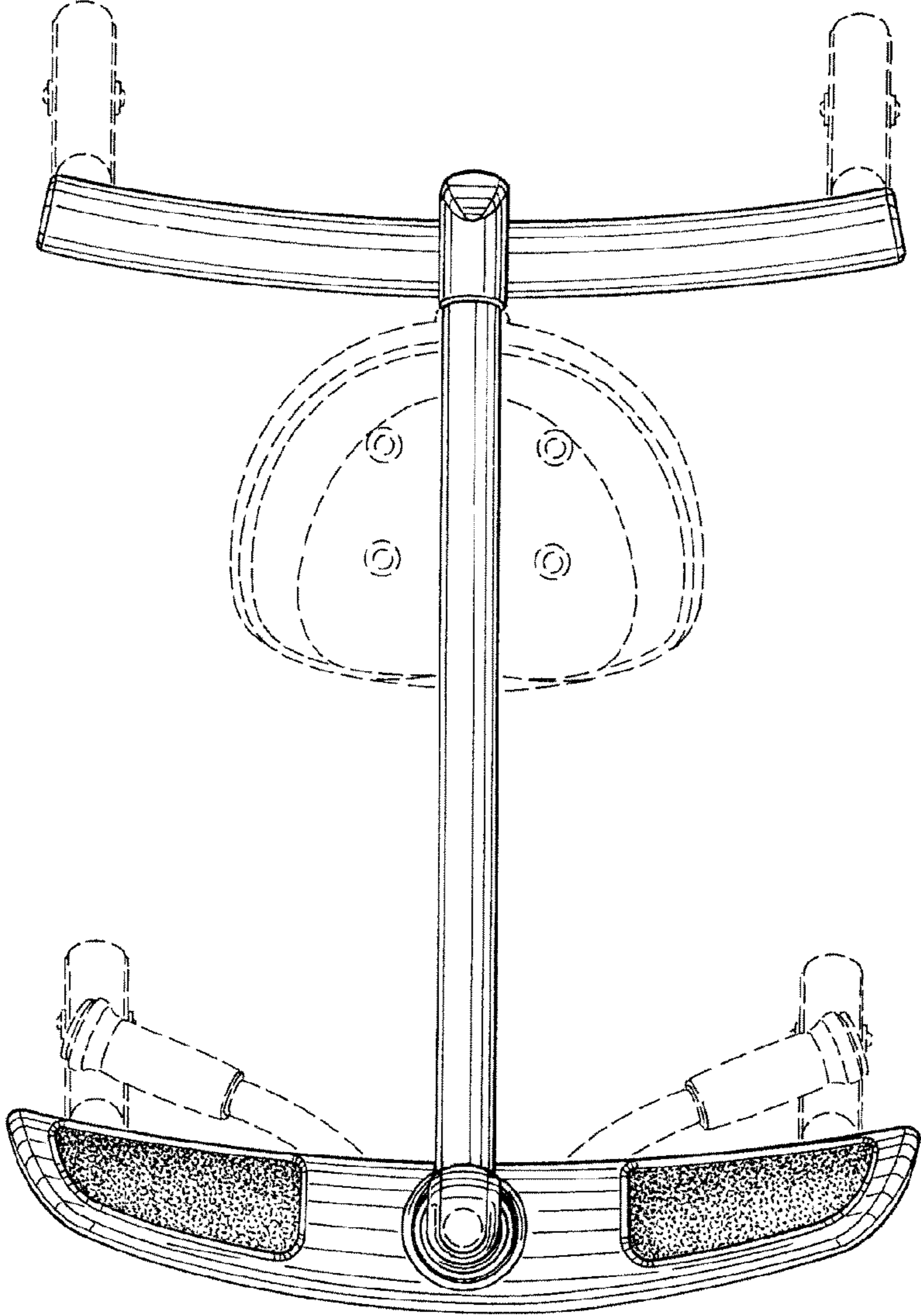


FIG. 5

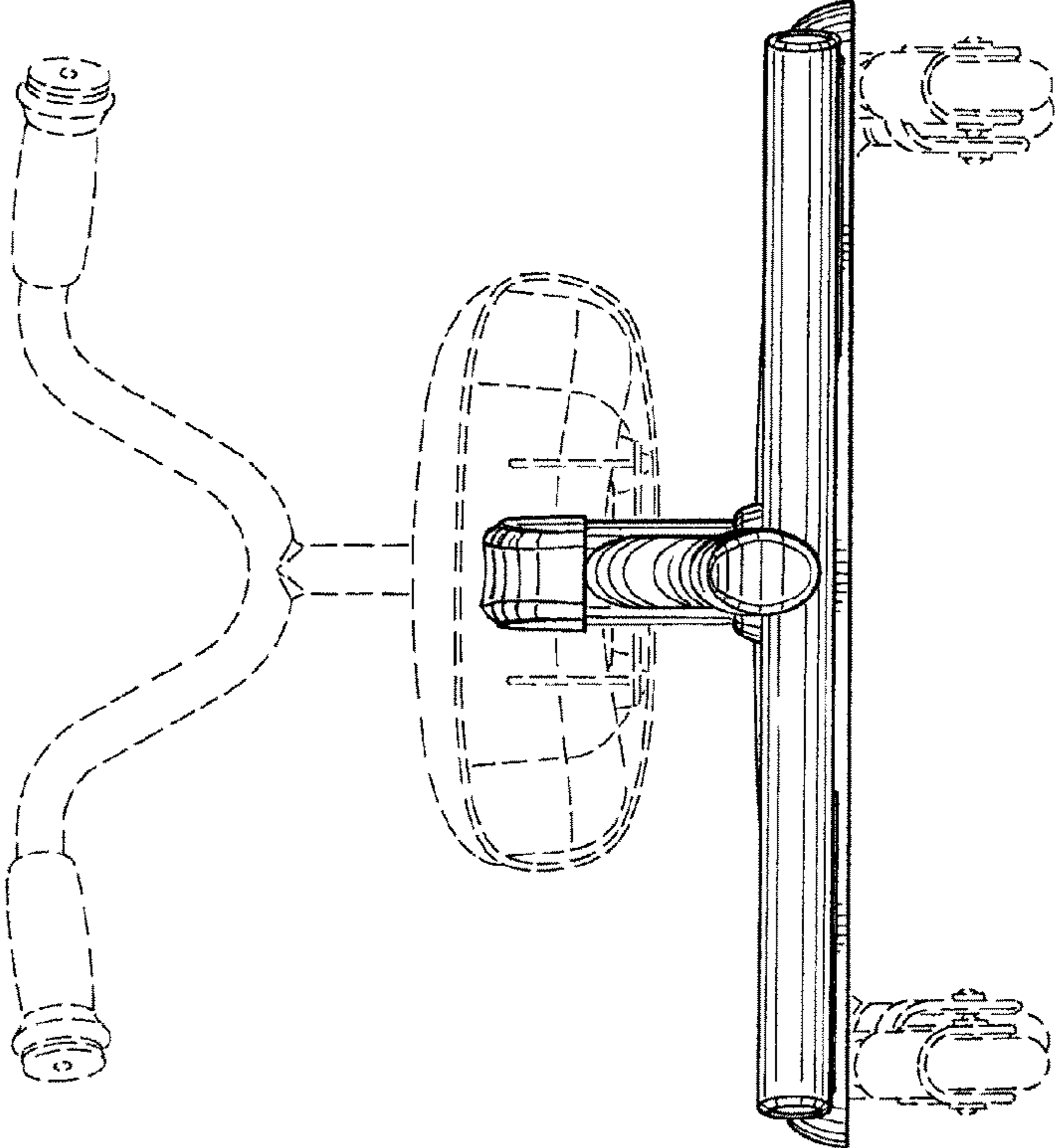


FIG. 4

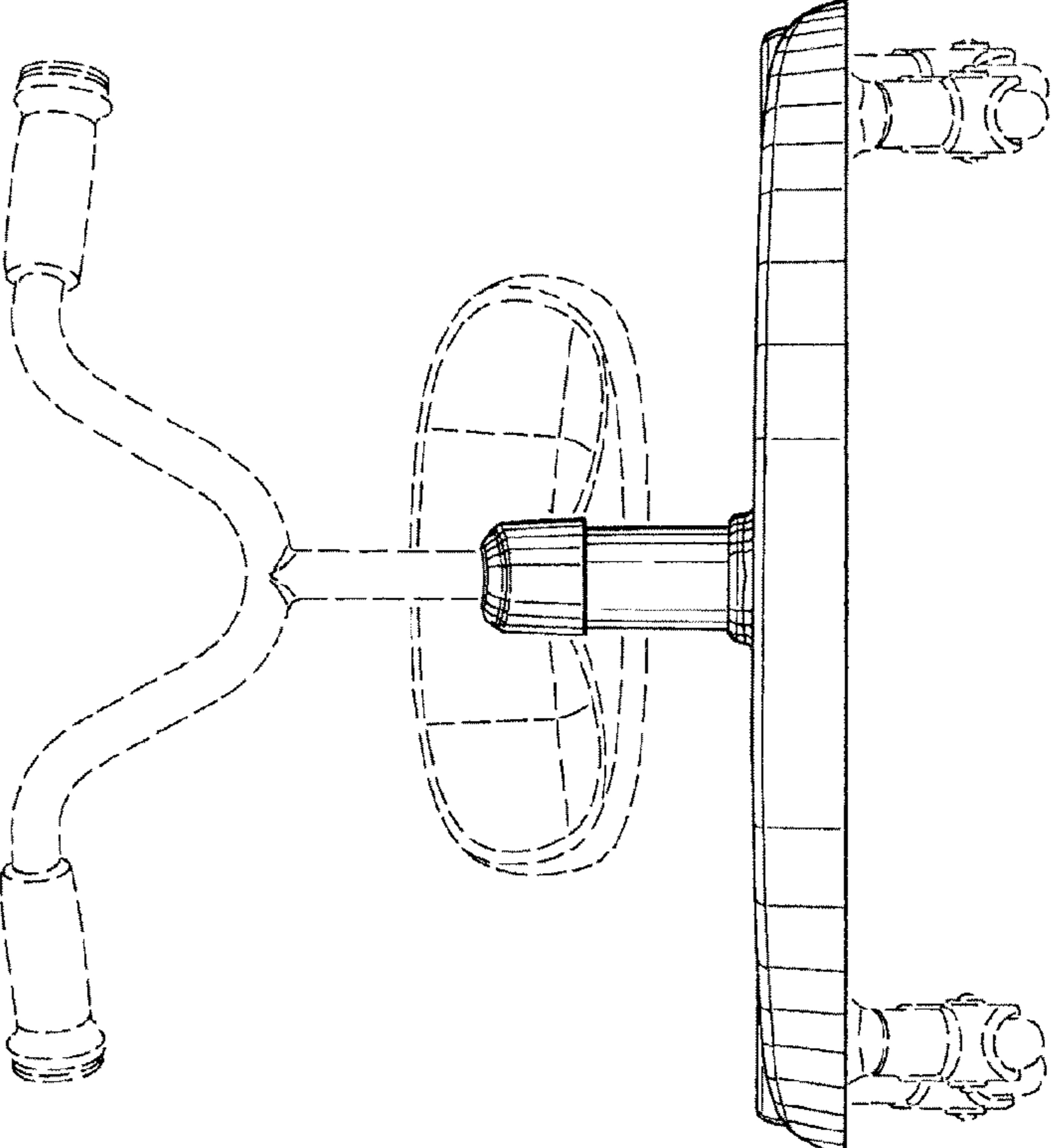


FIG. 6

