

US00D710949S

(12) **United States Design Patent**  
**Huang**

(10) **Patent No.:** **US D710,949 S**

(45) **Date of Patent:** **\*\* Aug. 12, 2014**

(54) **SCOOTER**

(71) Applicant: **Laing Ban International Inc.**, Taoyuan County (TW)

(72) Inventor: **Wen-Hung Huang**, Taoyuan County (TW)

(73) Assignee: **Laing Ban International Inc.**, Guishan Township, Taoyuan County (TW)

(\*\*) Term: **14 Years**

(21) Appl. No.: **29/460,902**

(22) Filed: **Jul. 16, 2013**

(51) **LOC (10) Cl.** ..... **21-01**

(52) **U.S. Cl.**  
USPC ..... **D21/423**

(58) **Field of Classification Search**  
USPC ..... D21/419, 421, 423, 426, 769, 760, 765,  
D21/771, 803; D12/1, 8, 112, 131, 132;  
280/14.21, 14.25, 14.26, 87.041,  
280/87.042, 263, 288.1, 288.2, 288.4, 200,  
280/214, 809; 180/180, 181

See application file for complete search history.

(56) **References Cited**

U.S. PATENT DOCUMENTS

D486,532	S	*	2/2004	Christianson	.....	D21/423
D487,908	S	*	3/2004	Mayer et al.	.....	D21/423
D513,629	S	*	1/2006	Sramek	.....	D21/423
D581,991	S	*	12/2008	Armand et al.	.....	D21/423
D640,754	S	*	6/2011	Yu et al.	.....	D21/423
D672,400	S	*	12/2012	Pizzi	.....	D21/423
2004/0129471	A1	*	7/2004	Cheng	.....	180/181

\* cited by examiner

*Primary Examiner* — Cynthia M Chin

(74) *Attorney, Agent, or Firm* — Muncy, Geissler, Olds & Lowe, P.C.

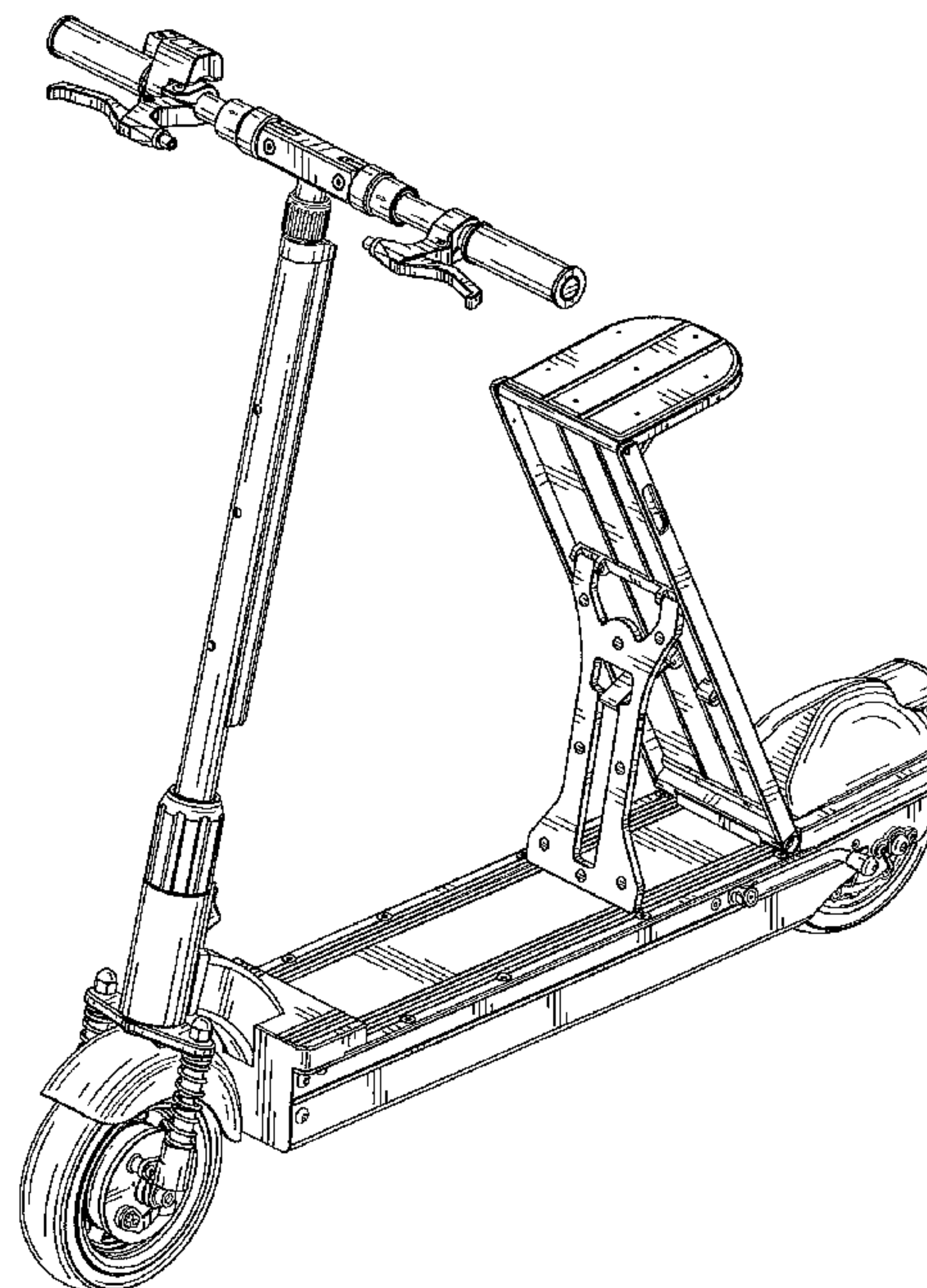
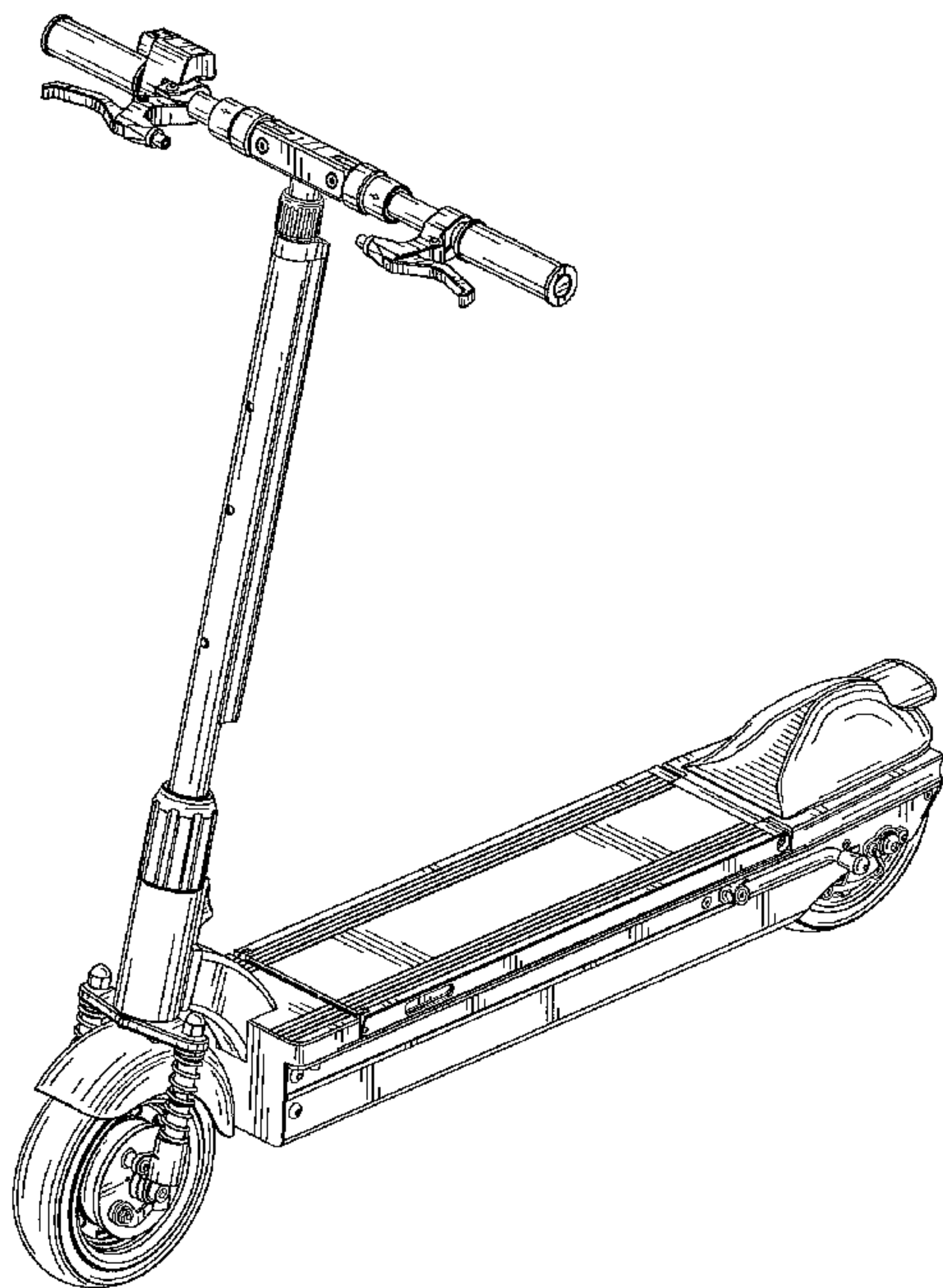
(57) **CLAIM**

The ornamental design for a scooter, as shown and described.

**DESCRIPTION**

FIG. 1 is a perspective view of the scooter showing the new design;  
FIG. 2 is a front view of the new design;  
FIG. 3 is a rear view of the new design;  
FIG. 4 is a left view of the new design;  
FIG. 5 is a right view of the new design;  
FIG. 6 is a top view of the new design;  
FIG. 7 is a bottom view of the new design; and,  
FIG. 8 is another perspective view of the new design showing the scooter in an alternate configuration.

**1 Claim, 8 Drawing Sheets**



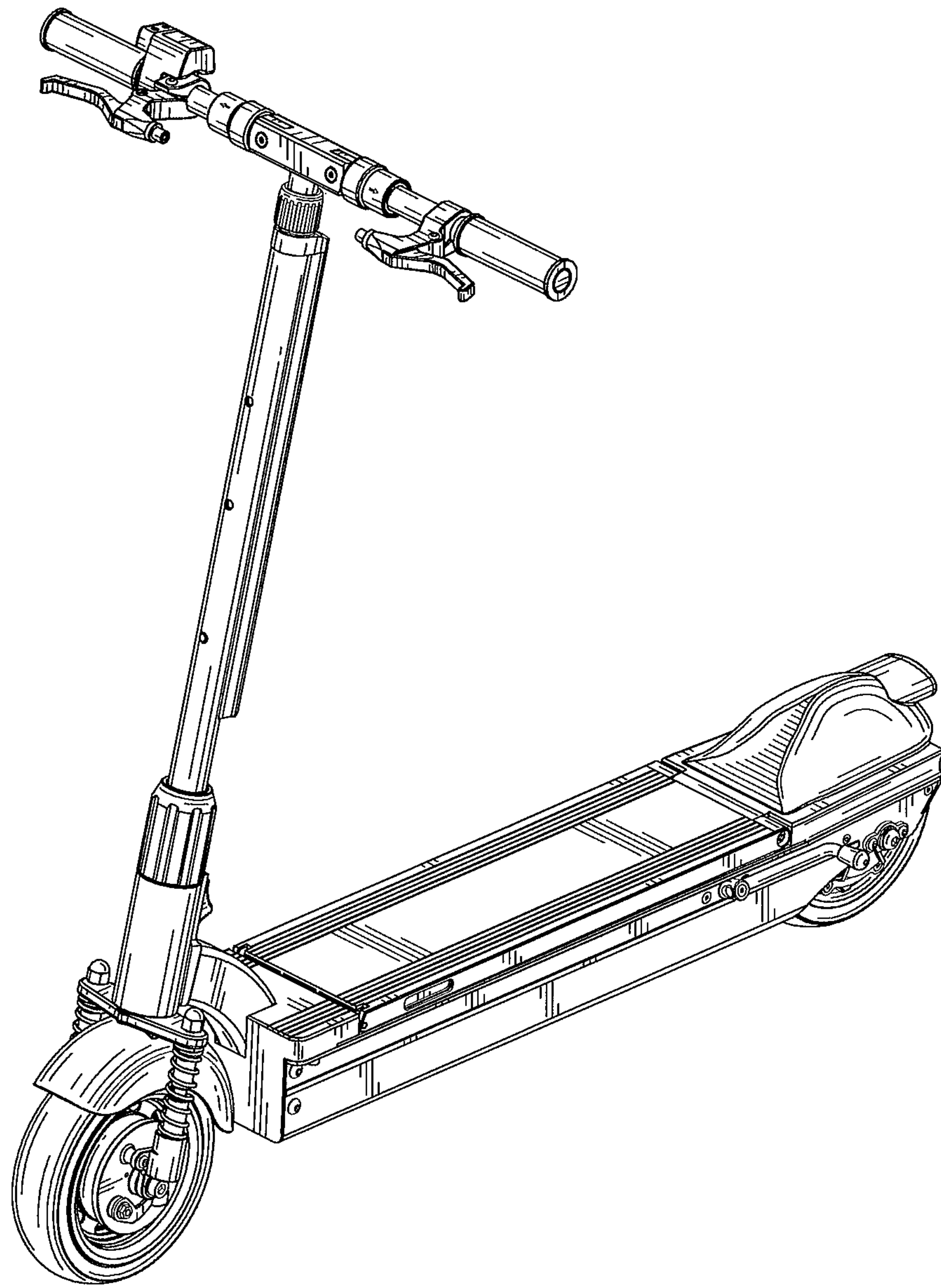


Fig. 1

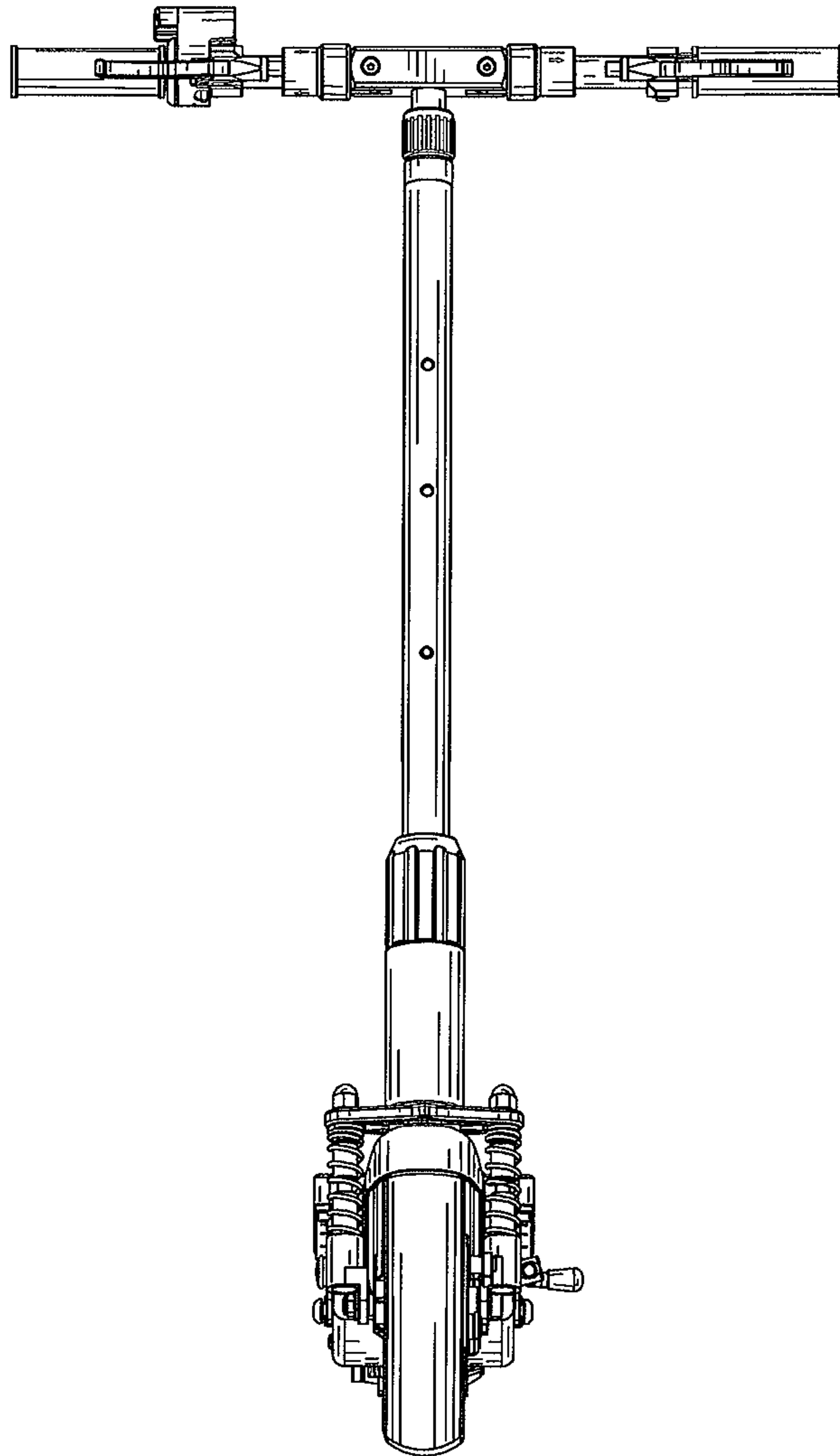


Fig.2

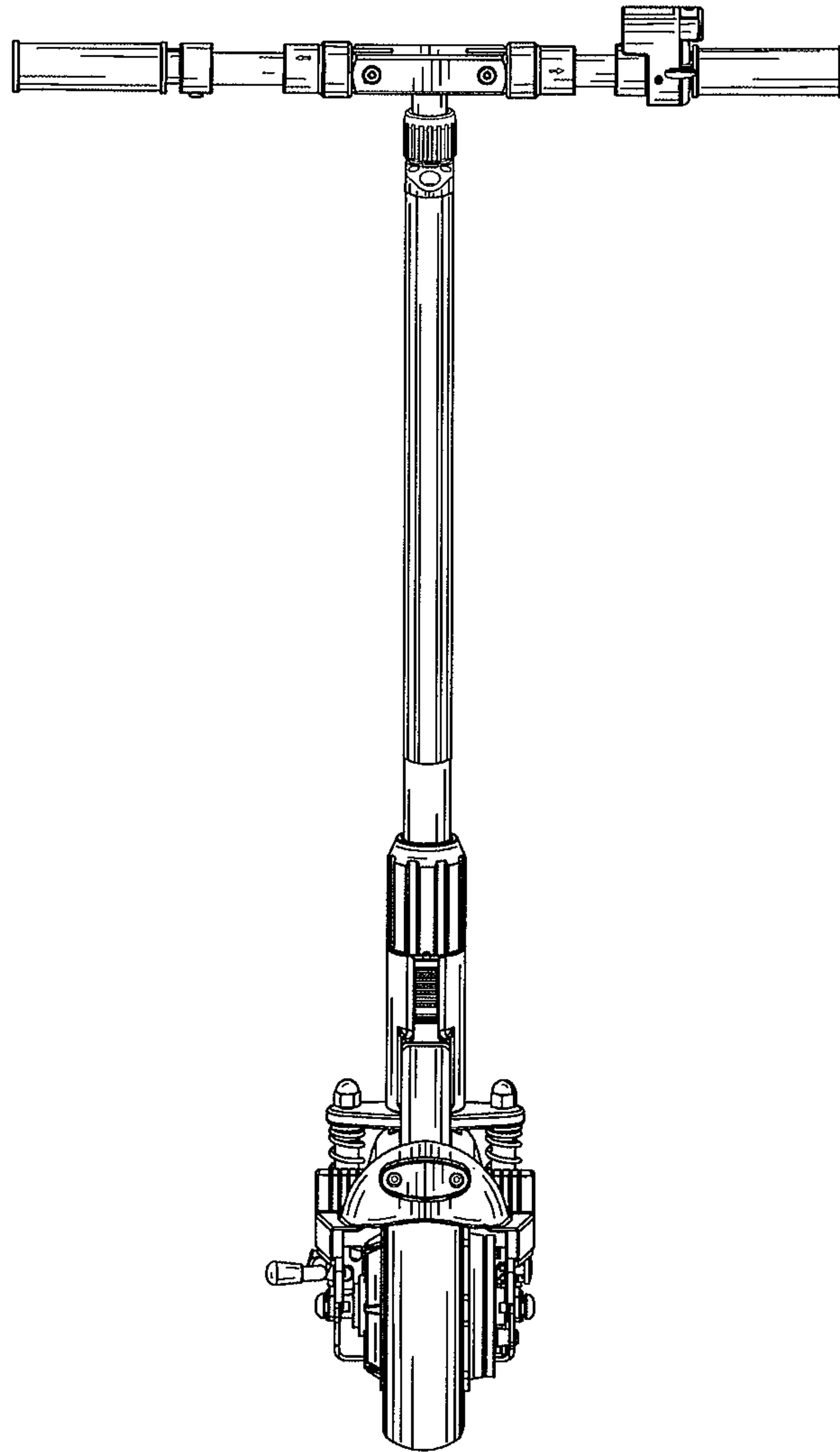


Fig.3



Fig.4





Fig.5

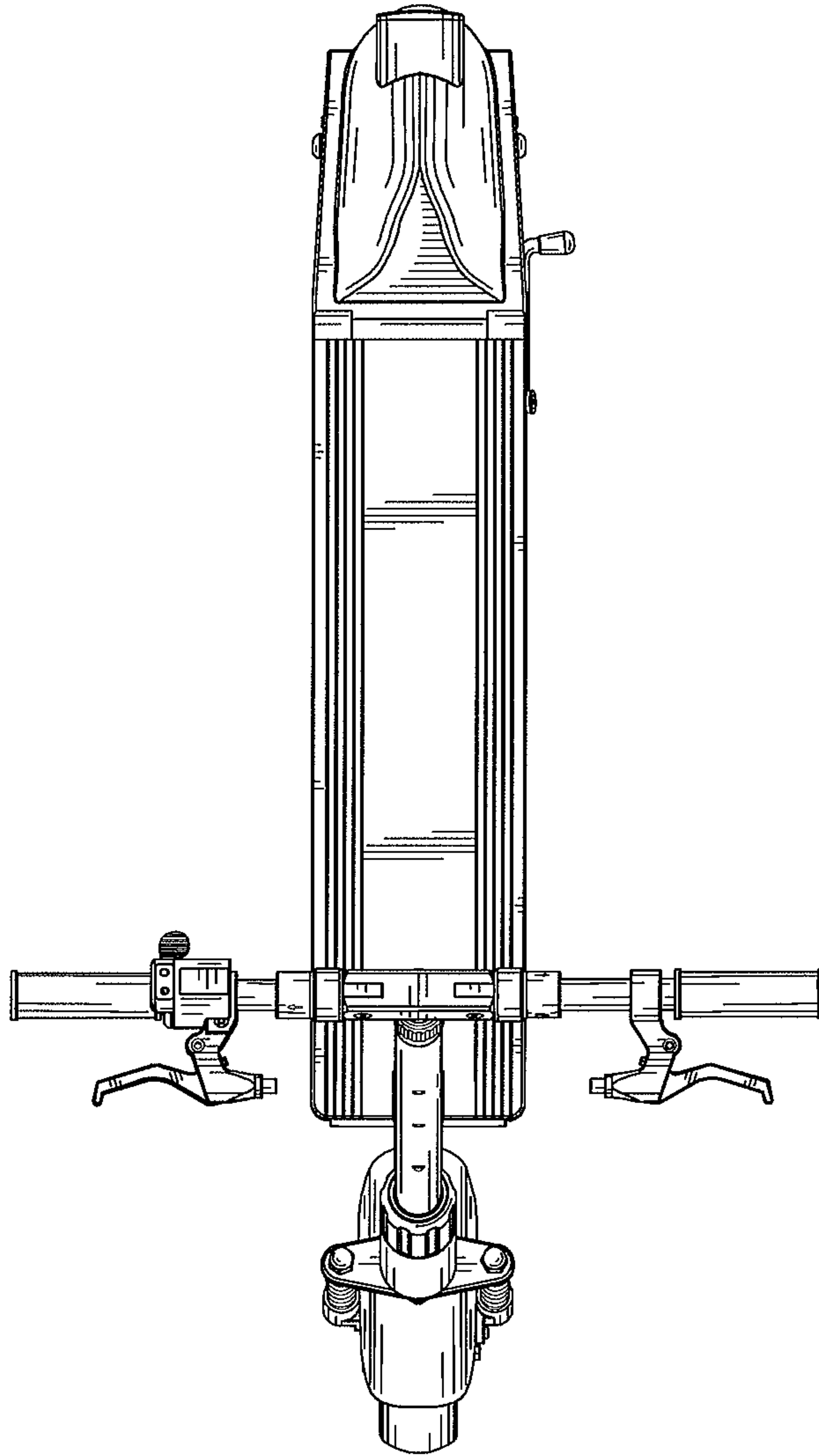


Fig.6

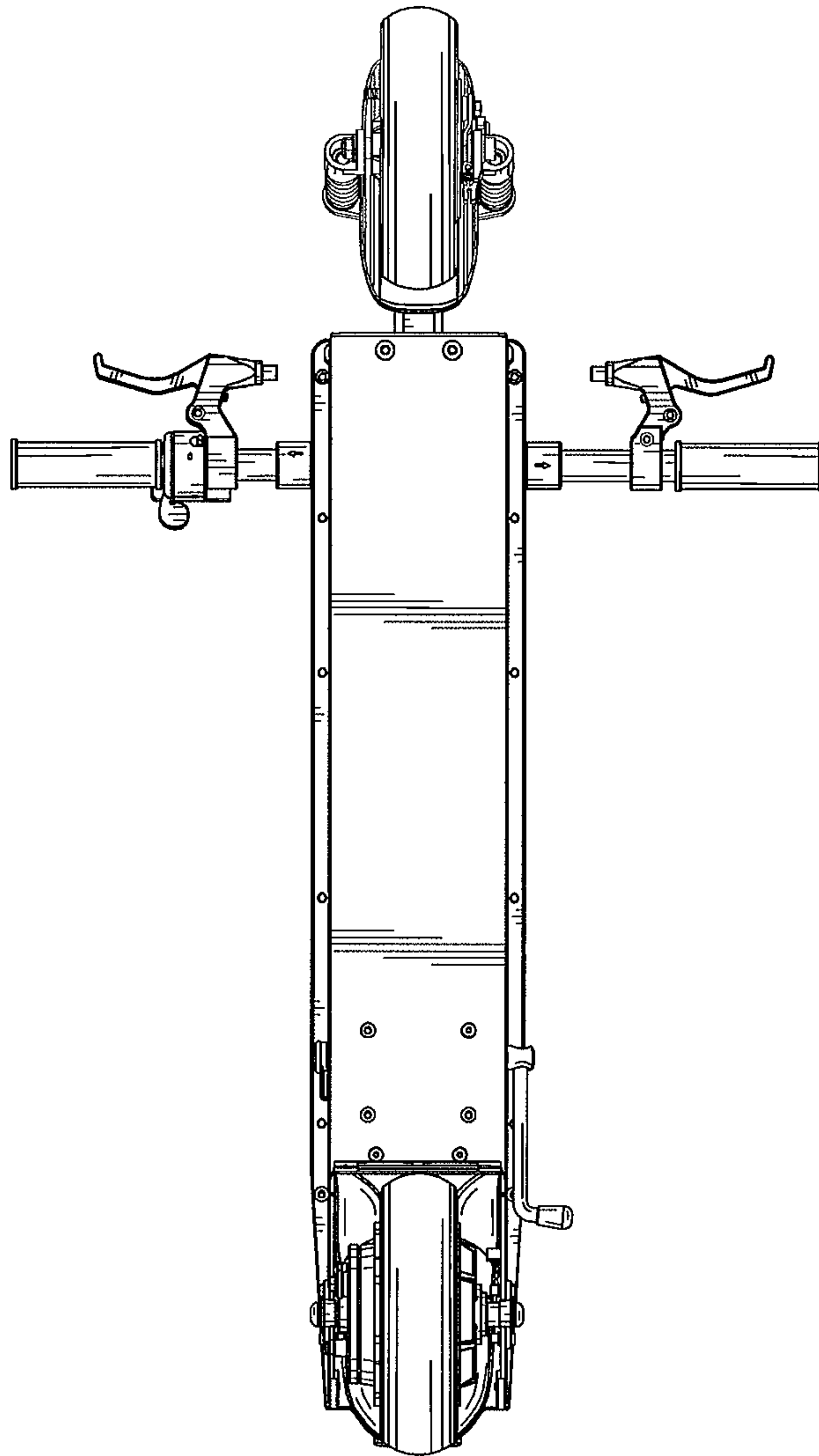


Fig.7



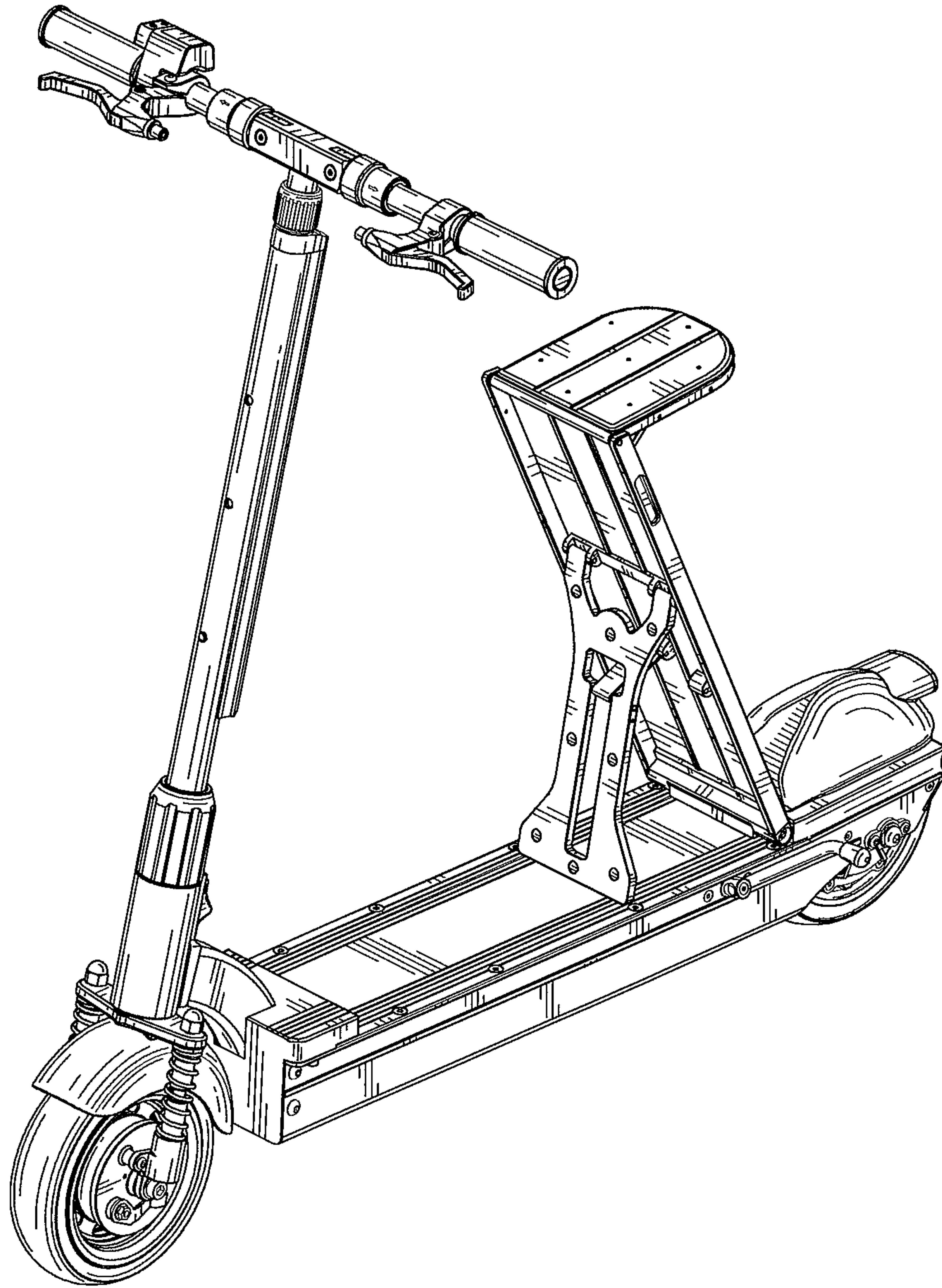


Fig.8