



US00D710947S

(12) **United States Design Patent**
Herlitz et al.

(10) **Patent No.:** **US D710,947 S**

(45) **Date of Patent:** **** Aug. 12, 2014**

(54) **SEATING SURFACE FOR RIDE ON VEHICLE**

(71) Applicant: **Radio Flyer Inc.**, Chicago, IL (US)

(72) Inventors: **Todd Herlitz**, Glenview, IL (US); **Kyle Houchens**, Oakdale, CA (US)

(73) Assignee: **Radio Flyer Inc.**, Chicago, IL (US)

(**) Term: **14 Years**

(21) Appl. No.: **29/469,382**

(22) Filed: **Oct. 9, 2013**

(51) **LOC (10) Cl.** **21-01**

(52) **U.S. Cl.**
USPC **D21/419**; D21/424

(58) **Field of Classification Search**
USPC D21/419, 424, 426, 433, 503, 533, 548,
D21/549, 592, 831, 832, 833; D6/354, 355,
D6/356; 280/1.16, 1.165, 1.167, 1.191,
280/1.192, 1.22, 1.23, 218, 827, 828, 87.01,
280/87.021, 87.03; 297/195.1, 195.11,
297/195.12, 195.13, 214, 243
See application file for complete search history.

(56) **References Cited**

U.S. PATENT DOCUMENTS

2,742,081	A	*	4/1956	Solloway	297/243
D257,362	S	*	10/1980	Imura	D21/427
D272,837	S	*	2/1984	Appel et al.	D21/427
4,595,380	A		6/1986	Magers		
4,691,963	A	*	9/1987	Mikuniya et al.	297/195.12
D307,609	S		5/1990	Harrod		
5,154,658	A		10/1992	Marcus		
D367,297	S		2/1996	Doucette		
D423,603	S	*	4/2000	Tasy	D21/424
D439,934	S	*	4/2001	Wang	D21/433
D445,845	S		7/2001	Tse		
D449,861	S		10/2001	Chiapetta et al.		

D468,369	S		1/2003	Chiapetta et al.		
6,623,071	B2	*	9/2003	Kawamoto et al.	297/195.13
D496,694	S	*	9/2004	Allemeier	D21/433
7,328,944	B2	*	2/2008	Hajduczyk	297/195.12
D589,851	S	*	4/2009	Jane Santamaria	D12/130
D640,755	S	*	6/2011	Herlitz et al.	D21/433
8,196,692	B2	*	6/2012	Davis et al.	297/195.12
8,567,803	B2	*	10/2013	Bao	280/218

* cited by examiner

Primary Examiner — Cynthia M Chin

(74) *Attorney, Agent, or Firm* — McDermott Will & Emery LLP

(57) **CLAIM**

We claim the ornamental design for a seating surface for ride on vehicle, as shown and described.

DESCRIPTION

FIG. 1 is a front right side perspective view of a seating surface for ride on vehicle according to the new design.
 FIG. 2 is a left rear side perspective view of the seating surface for ride on vehicle shown in FIG. 1.
 FIG. 3 is a right side view of the seating surface for ride on vehicle shown in FIG. 1.
 FIG. 4 is a left side view of the seating surface for ride on vehicle shown in FIG. 1.
 FIG. 5 is a top plan view of the seating surface for ride on vehicle shown in FIG. 1.
 FIG. 6 is a bottom plan view of the seating surface for ride on vehicle shown in FIG. 1.
 FIG. 7 is a front view of the seating surface for ride on vehicle shown in FIG. 1; and,
 FIG. 8 is a rear view of the seating surface for ride on vehicle shown in FIG. 1.
 Features shown in broken lines in the drawings are not part of the claim.

1 Claim, 4 Drawing Sheets

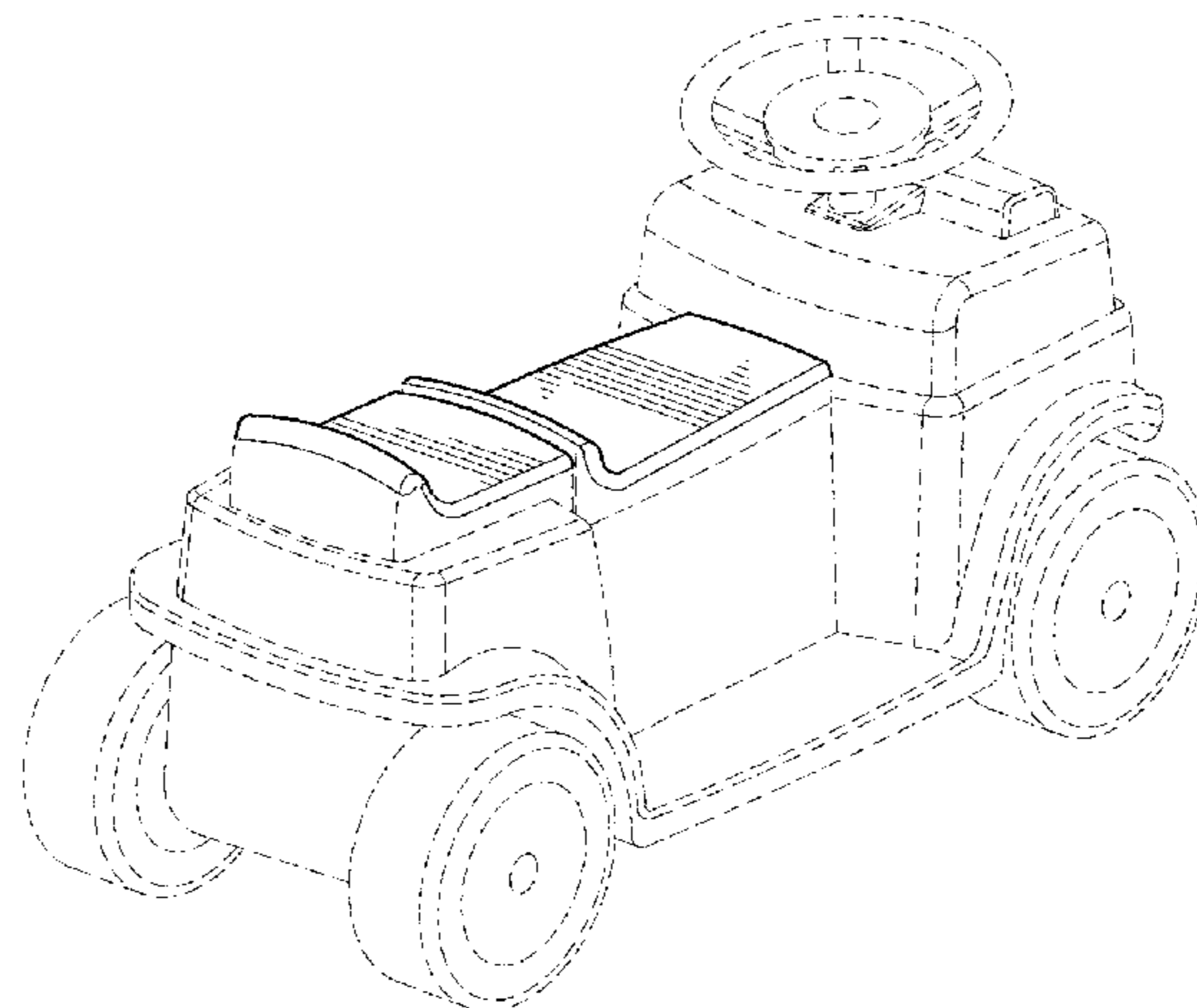
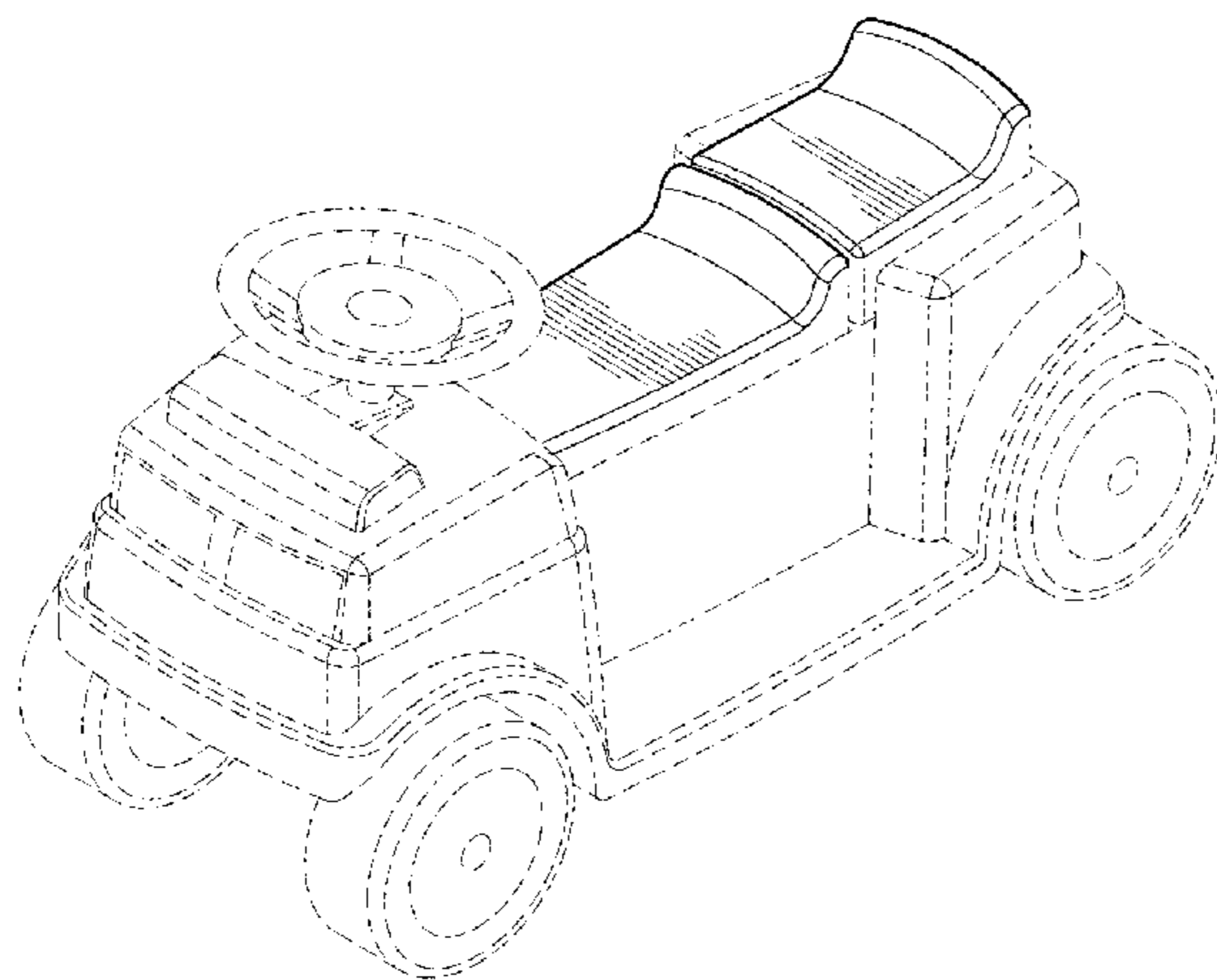


FIG. 1

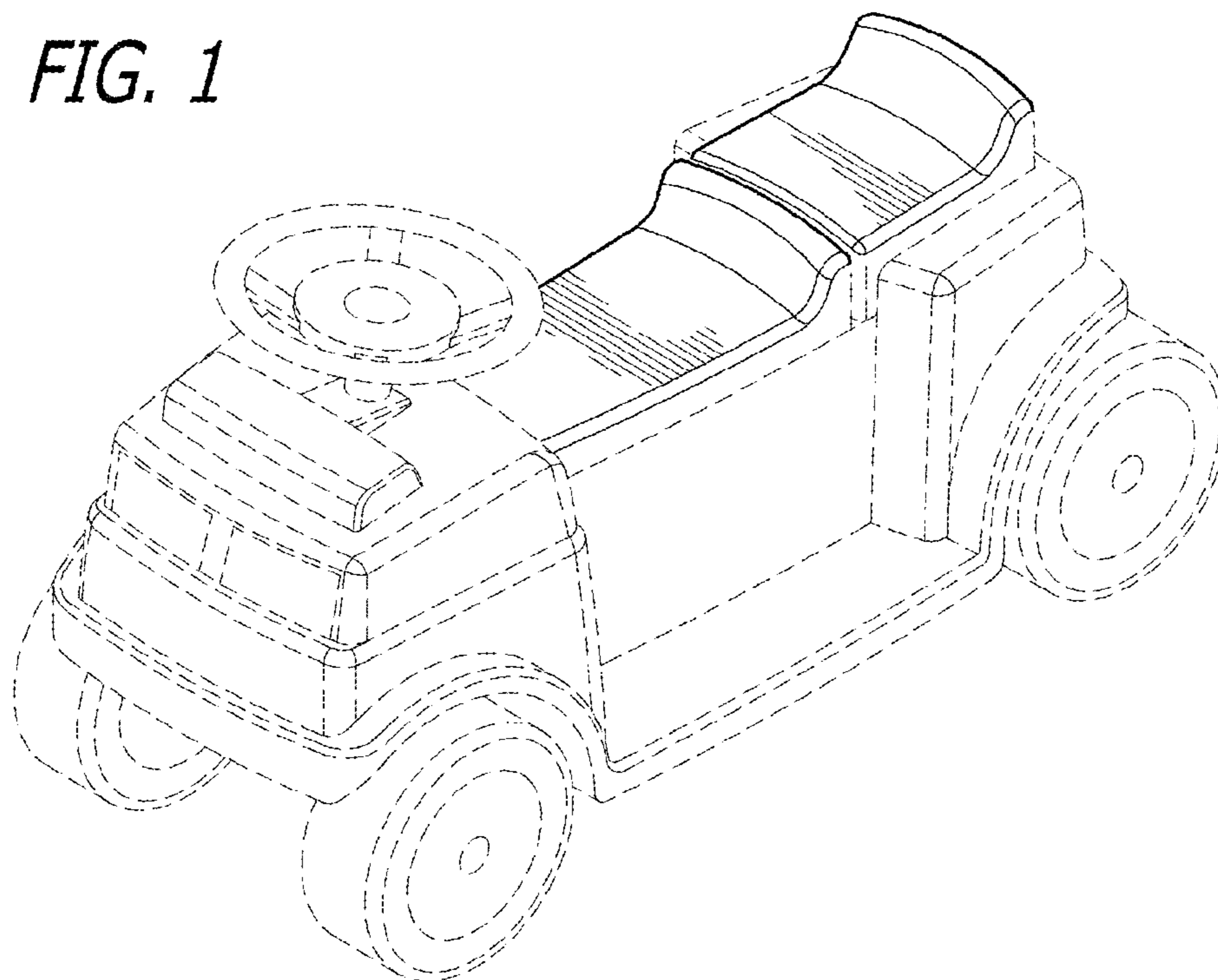
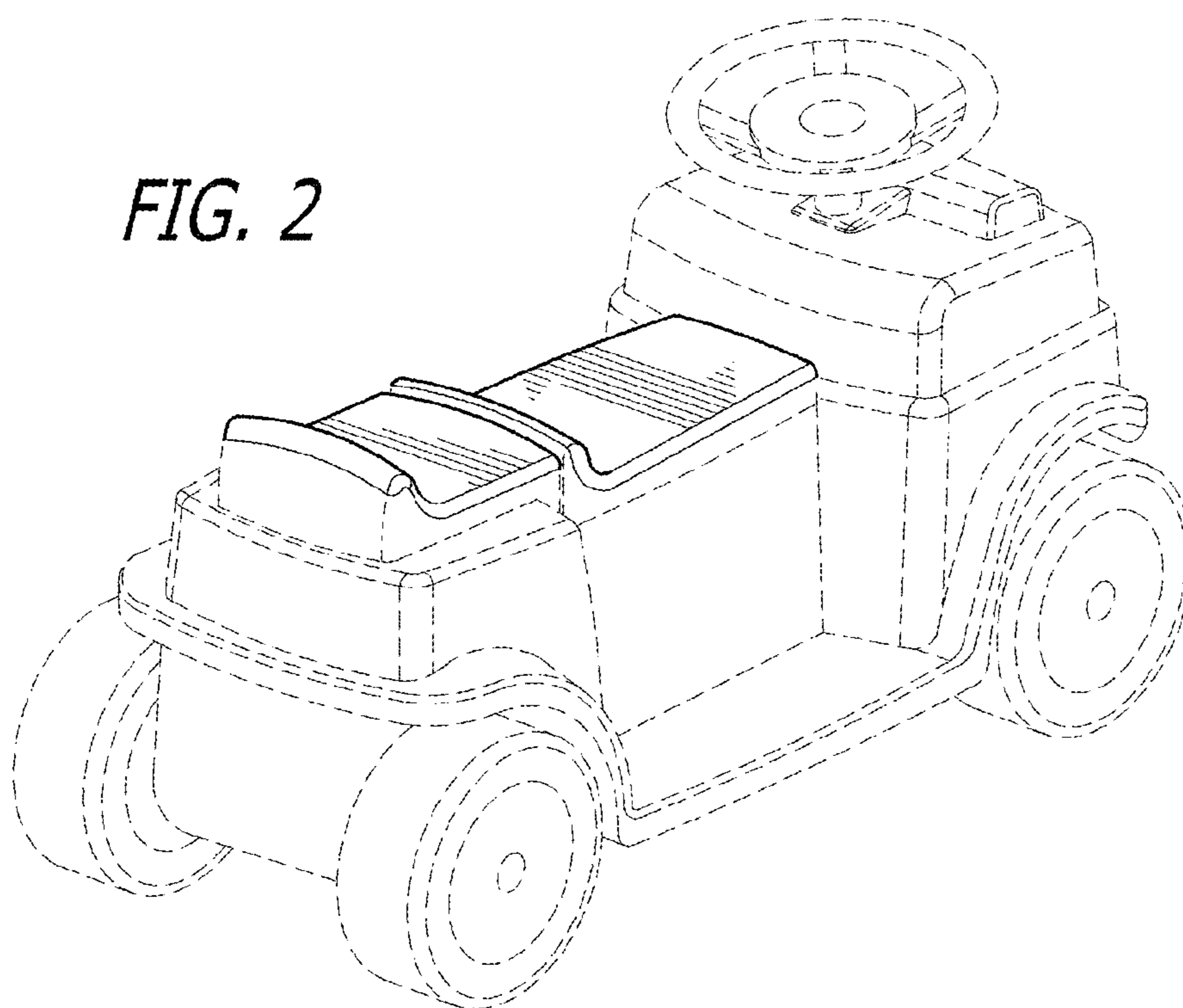


FIG. 2



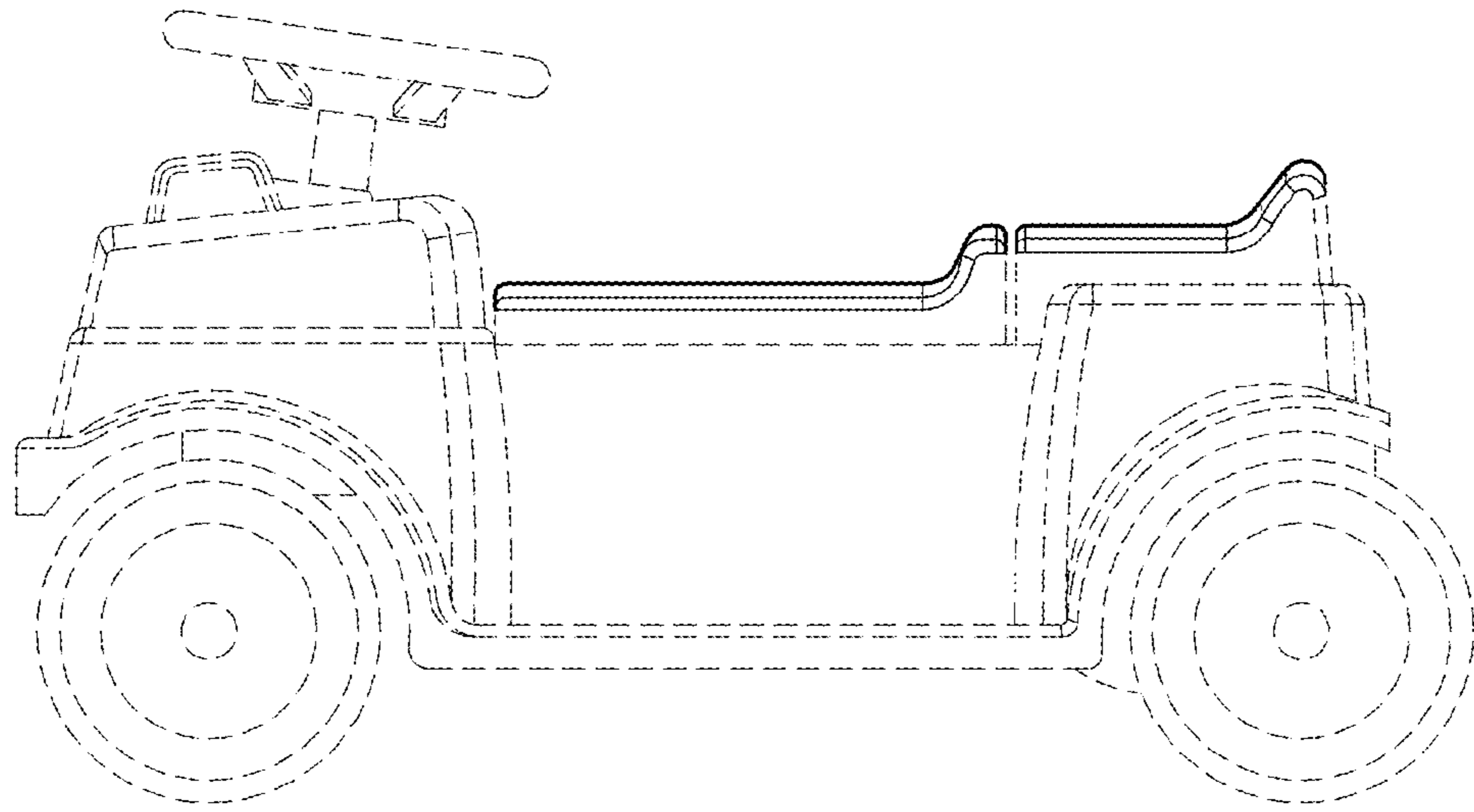


FIG. 3

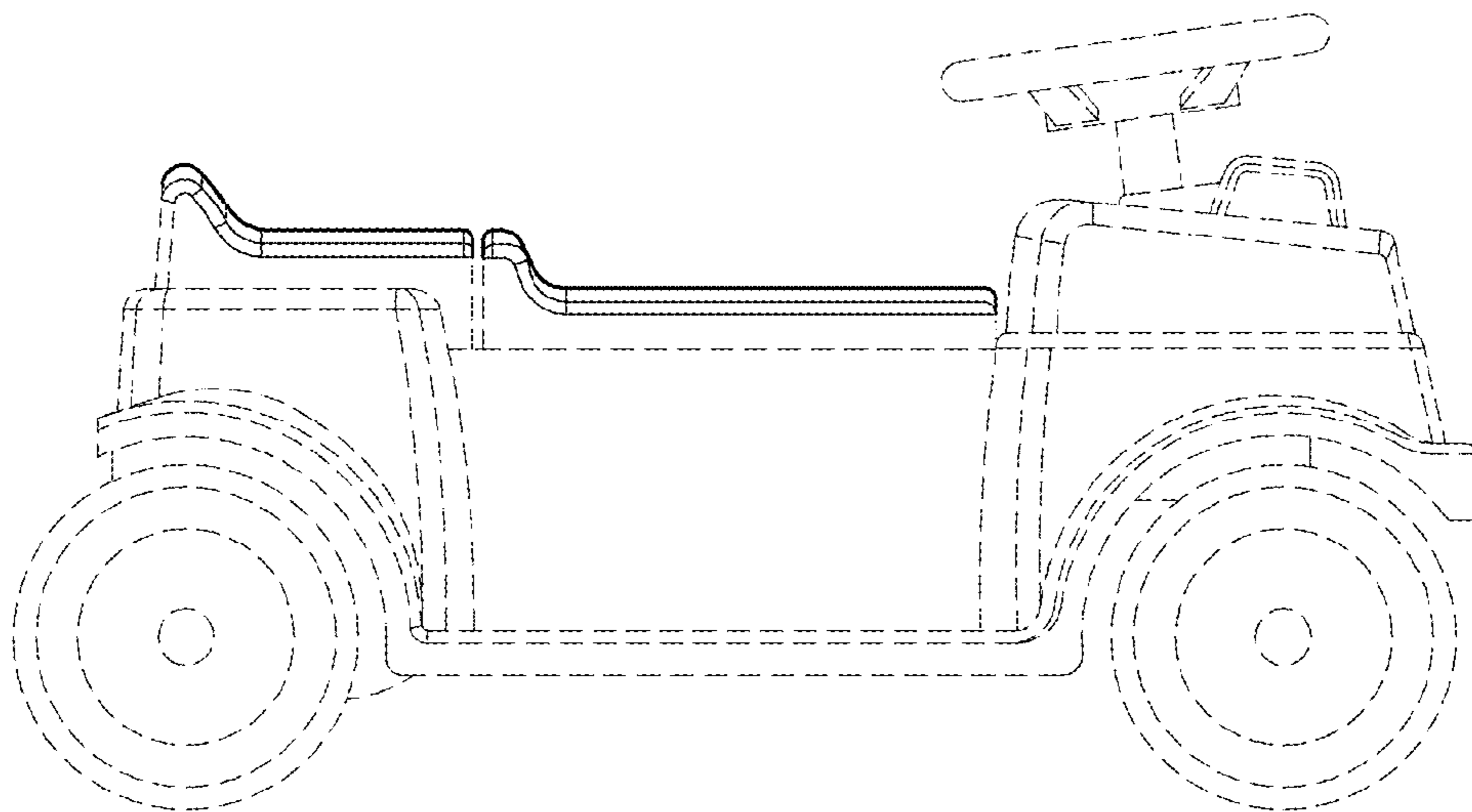


FIG. 4

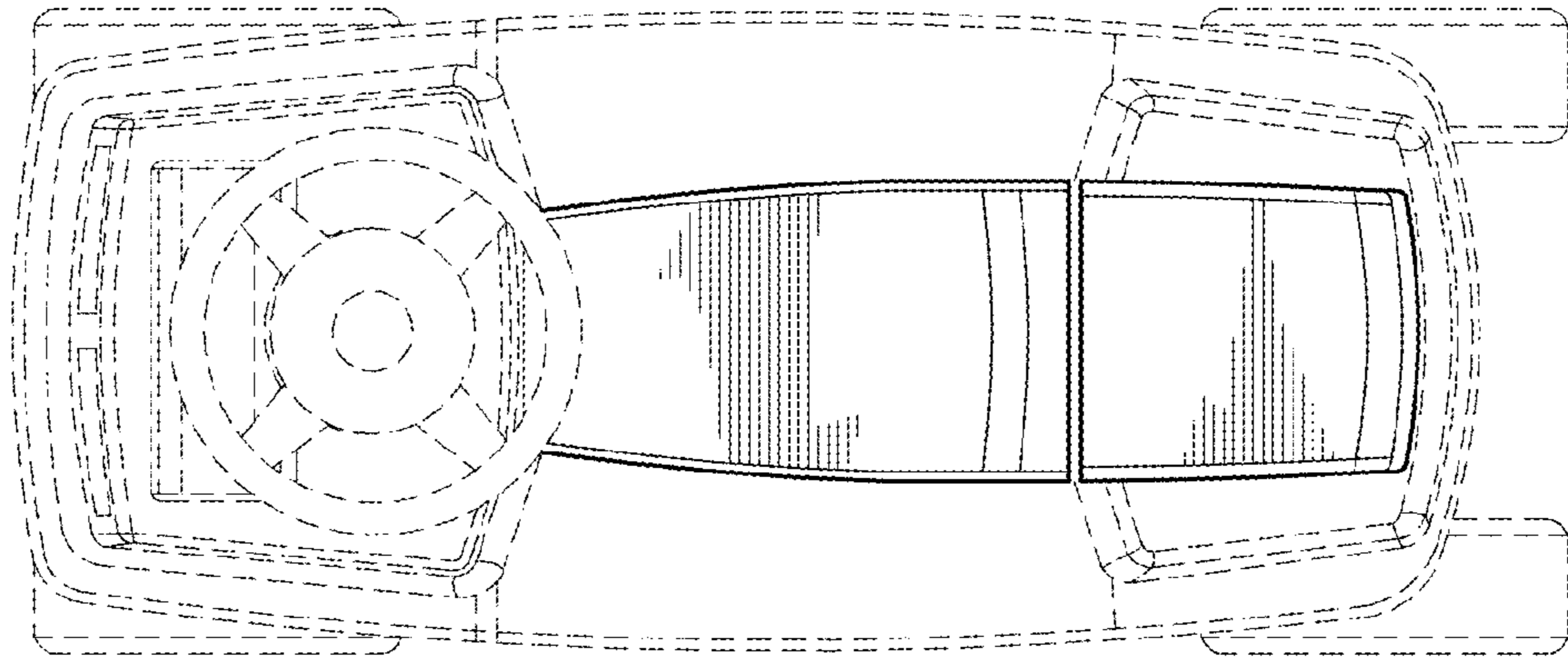


FIG. 5



FIG. 6

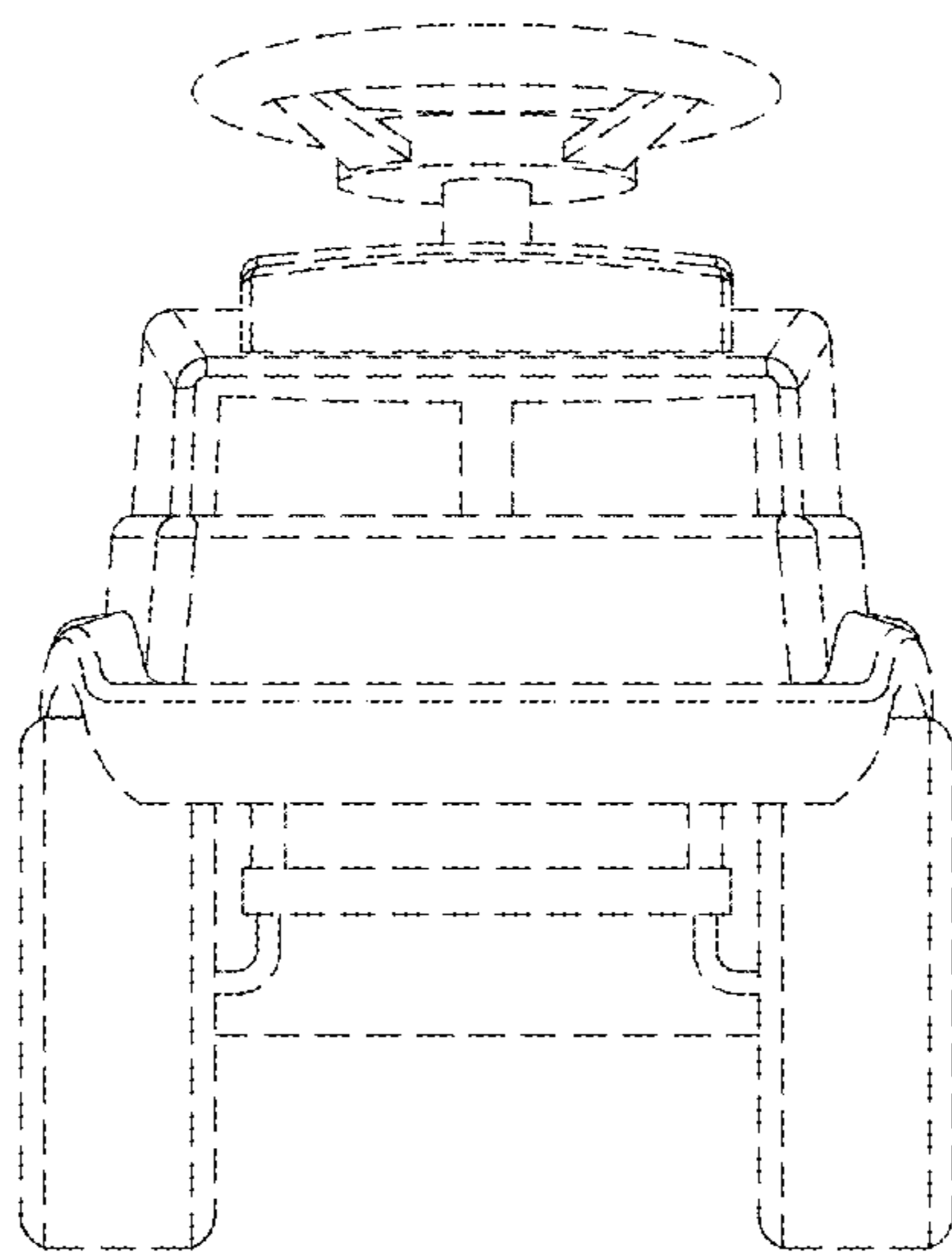


FIG. 7

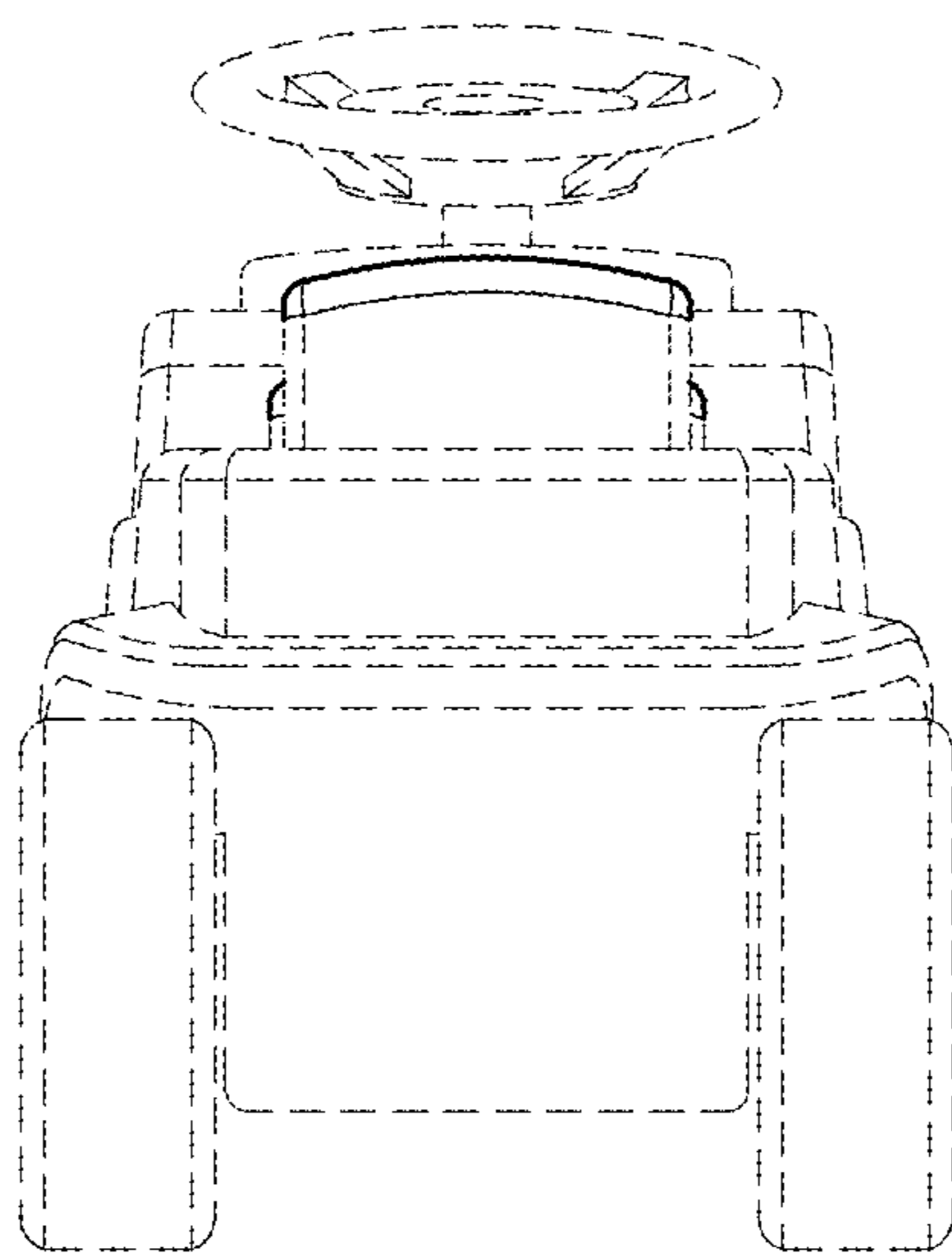


FIG. 8