



US00D710939S

(12) **United States Design Patent**
Wu

(10) **Patent No.:** **US D710,939 S**

(45) **Date of Patent:** **** Aug. 12, 2014**

(54) **TAPE DISPENSER**

(71) Applicant: **Lien Wu**, New York, NY (US)

(72) Inventor: **Lien Wu**, New York, NY (US)

(**) Term: **14 Years**

(21) Appl. No.: **29/481,895**

(22) Filed: **Feb. 11, 2014**

(51) **LOC (10) Cl.** **19-02**

(52) **U.S. Cl.**
USPC **D19/69**

(58) **Field of Classification Search**
USPC D19/70, 69, 36, 68; 242/588.6, 588.2;
225/77, 6, 56, 39, 26, 25, 19, 11;
206/411; 156/577, 527, 523
See application file for complete search history.

(56) **References Cited**

U.S. PATENT DOCUMENTS

D182,792 S *	5/1958	Cullen	D19/69
D248,561 S *	7/1978	Deering, Jr.	D19/69
D251,599 S *	4/1979	Fritzinger	D19/69
D261,888 S *	11/1981	Kronfeld et al.	D14/260
D318,690 S *	7/1991	Huang	D19/69

D331,072 S *	11/1992	Dotterman et al.	D19/69
D390,874 S *	2/1998	Mandar	D19/69
D496,690 S *	9/2004	Crawford et al.	D19/69
D541,865 S *	5/2007	Kent et al.	D19/69
D568,399 S *	5/2008	Yu Chen	D19/69
D573,645 S *	7/2008	Sommers et al.	D19/69
D574,891 S *	8/2008	Steele et al.	D19/69
D670,336 S *	11/2012	Johnson et al.	D19/69

* cited by examiner

Primary Examiner — Austin Murphy

(74) *Attorney, Agent, or Firm* — QuickPatents; Kevin Prince

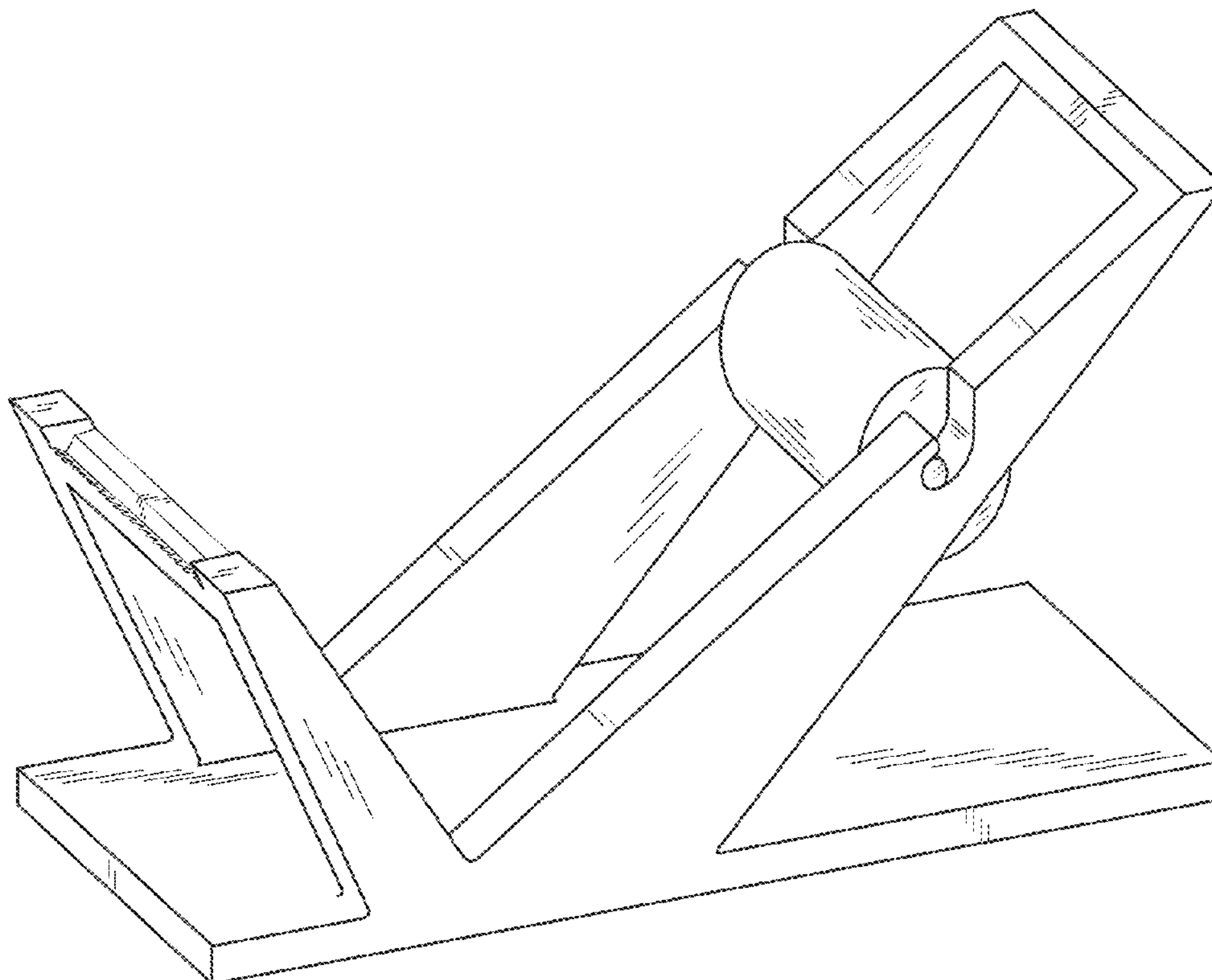
(57) **CLAIM**

I claim the ornamental design for a tape dispenser, as shown and described.

DESCRIPTION

FIG. 1 is a perspective view of a tape dispenser, showing my new design;
FIG. 2 is a front elevational view thereof;
FIG. 3 is a rear elevational view thereof;
FIG. 4 is a left-side elevational view thereof, the right-side elevational view being a mirror image thereof;
FIG. 5 is a top plan view thereof; and,
FIG. 6 is a bottom plan view thereof.

1 Claim, 3 Drawing Sheets



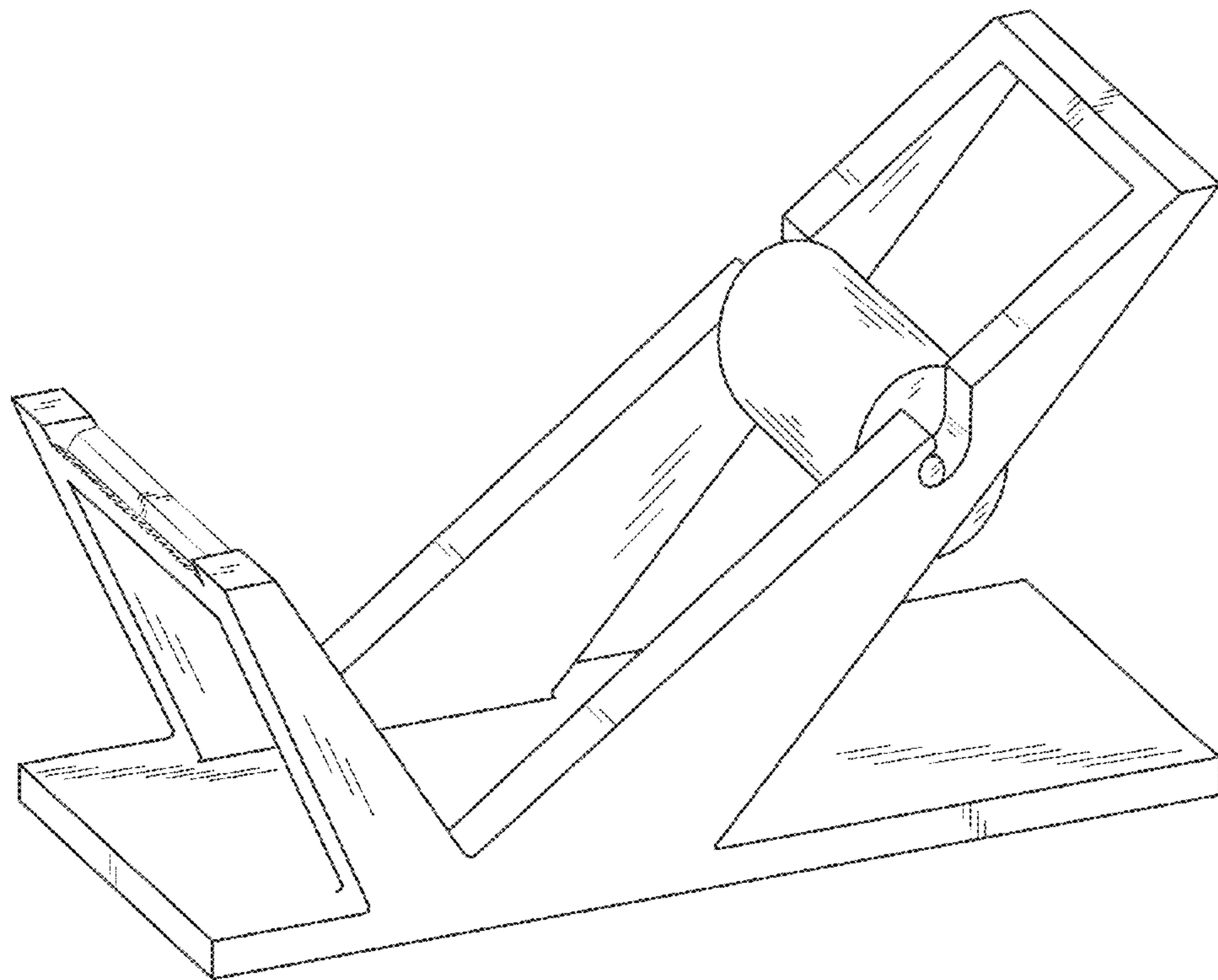


FIG. 1

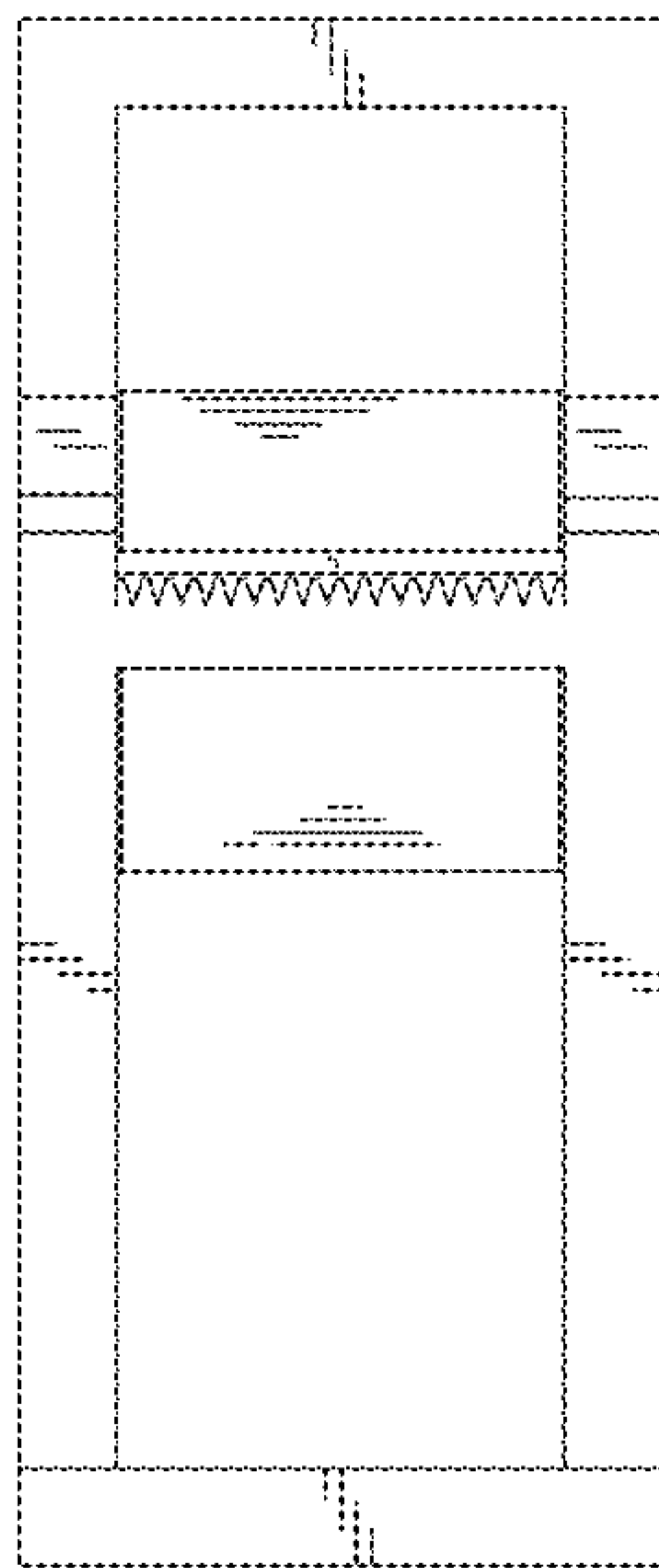


FIG. 2

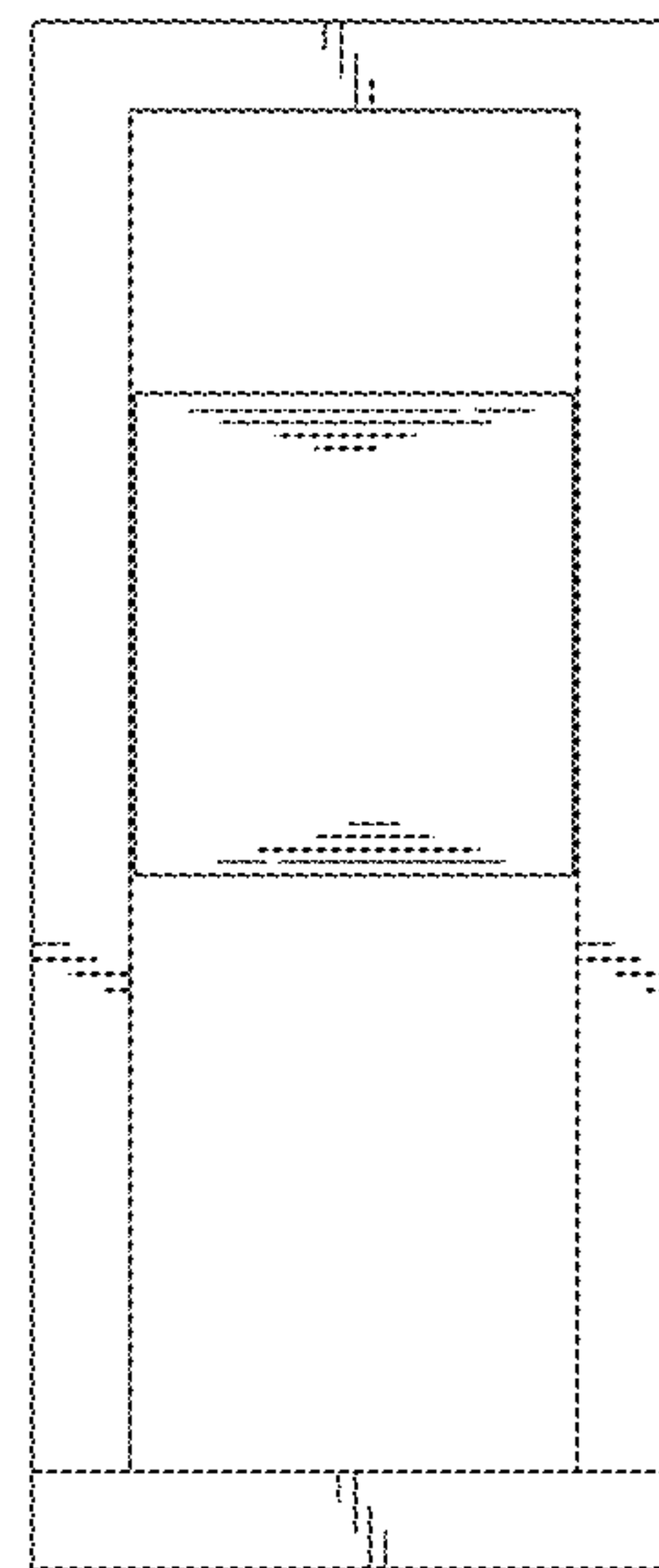


FIG. 3

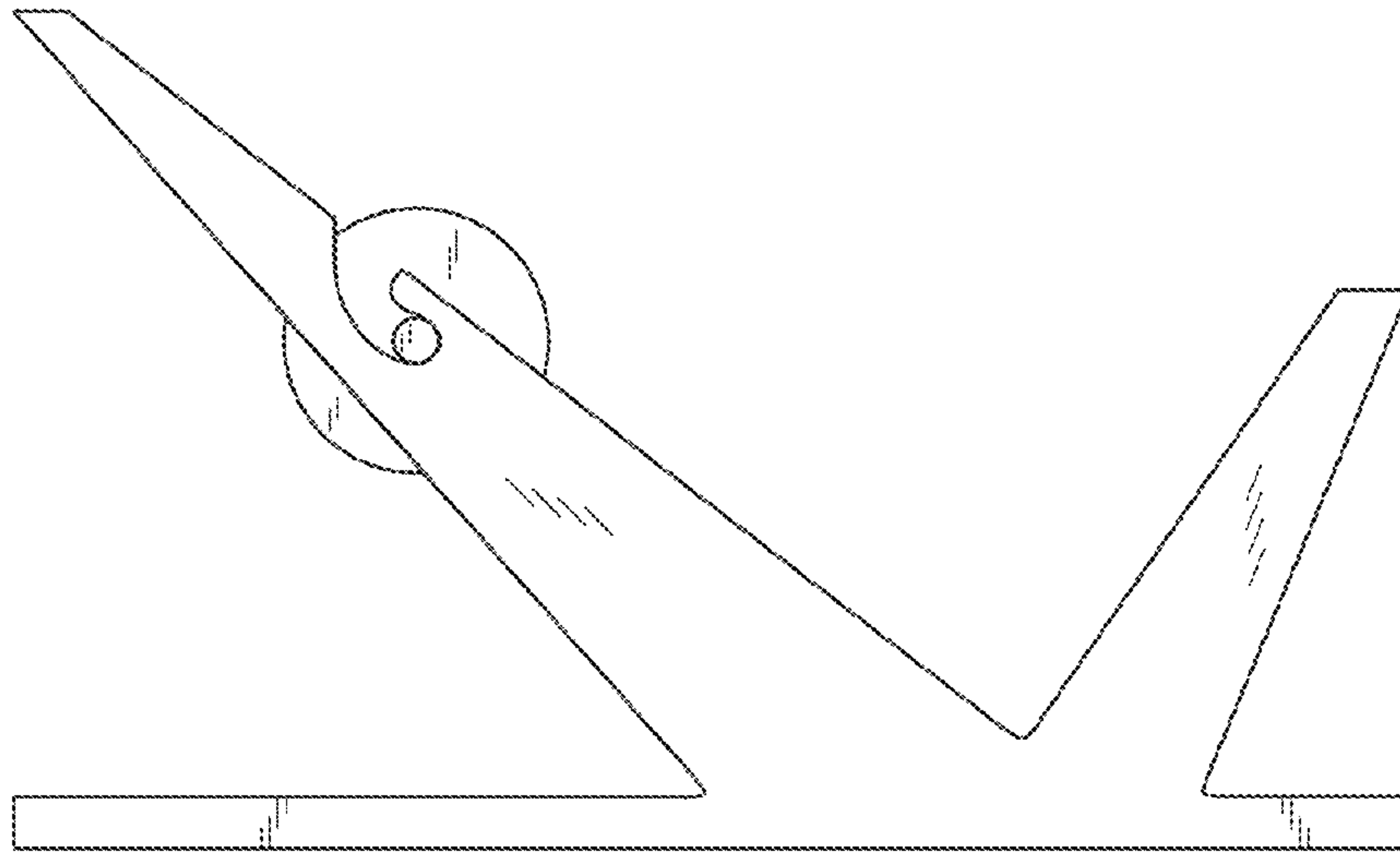


FIG. 4

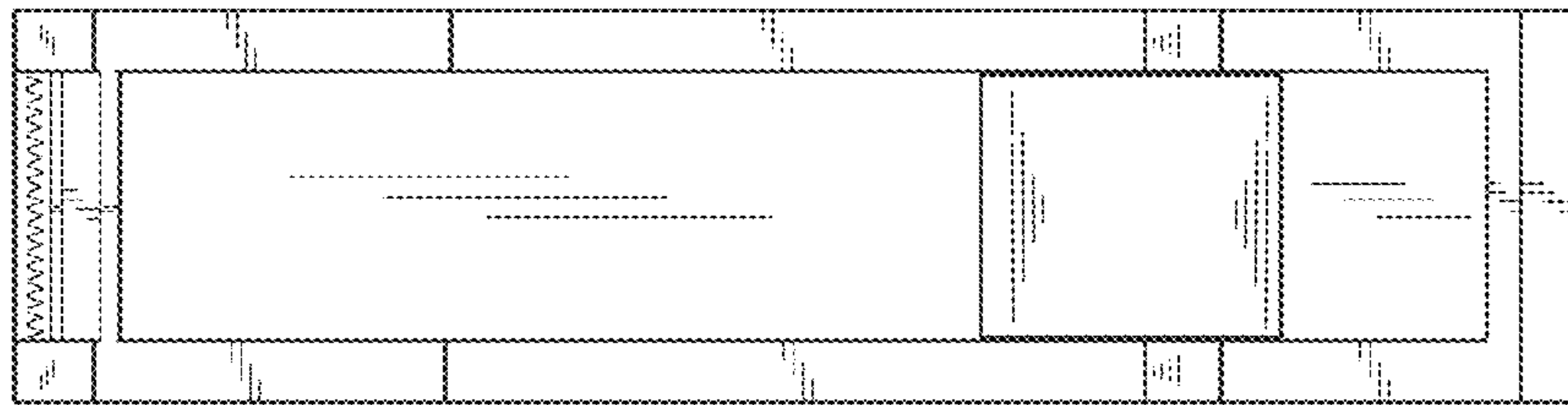


FIG. 5

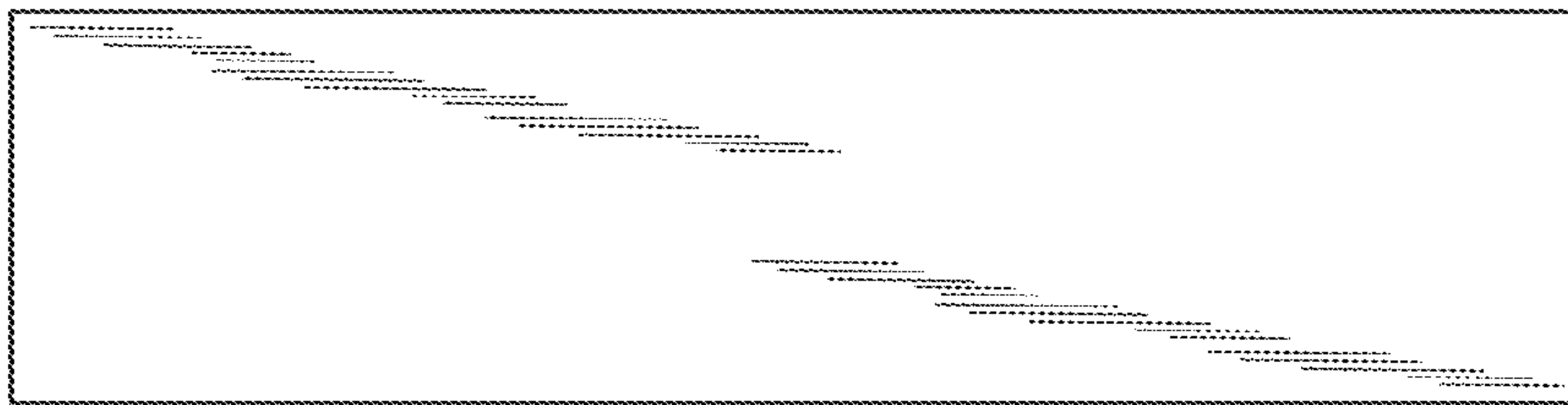


FIG. 6