



US00D710933S

(12) **United States Design Patent**  
**Tominaga**

(10) **Patent No.:** **US D710,933 S**

(45) **Date of Patent:** **\*\* Aug. 12, 2014**

(54) **REED CLAMP FOR MUSICAL INSTRUMENTS**

(76) Inventor: **Seiichi Tominaga**, Hamamatsu (JP)

(\*\*) Term: **14 Years**

(21) Appl. No.: **29/421,199**

(22) Filed: **Jun. 12, 2012**

(30) **Foreign Application Priority Data**

Dec. 14, 2011 (JP) ..... 2011-029038

(51) **LOC (10) CL.** ..... **17-02**

(52) **U.S. CL.**  
USPC ..... **D17/13**

(58) **Field of Classification Search**  
USPC ..... D17/10, 11, 13, 99; 84/330, 380 R, 381, 84/382, 383 A, 384, 385 R, 386, 387 R, 84/391, 395, 398, 400, 453, 456, 470 R; D21/405, 411  
See application file for complete search history.

(56) **References Cited**

**U.S. PATENT DOCUMENTS**

3,618,440 A \* 11/1971 Ratterree ..... 84/173  
4,056,997 A \* 11/1977 Rovner ..... 84/383 R  
D261,663 S \* 11/1981 Lawson ..... D17/10

D264,223 S \* 5/1982 Lawson ..... D17/10  
4,745,838 A \* 5/1988 Johnson ..... 84/383 R  
D390,249 S \* 2/1998 Smith ..... D17/13  
5,998,715 A \* 12/1999 Rovner ..... 84/383 R  
7,169,993 B2 \* 1/2007 Fliegel et al. .... 84/383 A  
7,923,618 B2 \* 4/2011 Gholson, Jr. .... 84/383 R  
2005/0061136 A1 \* 3/2005 Rovner ..... 84/383 A

\* cited by examiner

*Primary Examiner* — Rashida Johnson

(74) *Attorney, Agent, or Firm* — Michael Tobias

(57) **CLAIM**

The ornamental design for a reed clamp for musical instruments, as shown and described.

**DESCRIPTION**

FIG. 1 is a front elevation of a reed clamp for a musical instrument.

FIG. 2 is a rear elevation of the reed clamp of FIG. 1.

FIG. 3 is a right side elevation of the reed clamp of FIG. 1.

FIG. 4 is a left side elevation of the reed clamp of FIG. 1.

FIG. 5 is a top plan view of the reed clamp of FIG. 1.

FIG. 6 is a bottom plan view of the reed clamp of FIG. 1; and,

FIG. 7 is a front right perspective view of the reed clamp of FIG. 1.

In FIGS. 1-7, the broken lines are for illustrative purposes in showing the design in use and form no part of the claim.

**1 Claim, 7 Drawing Sheets**

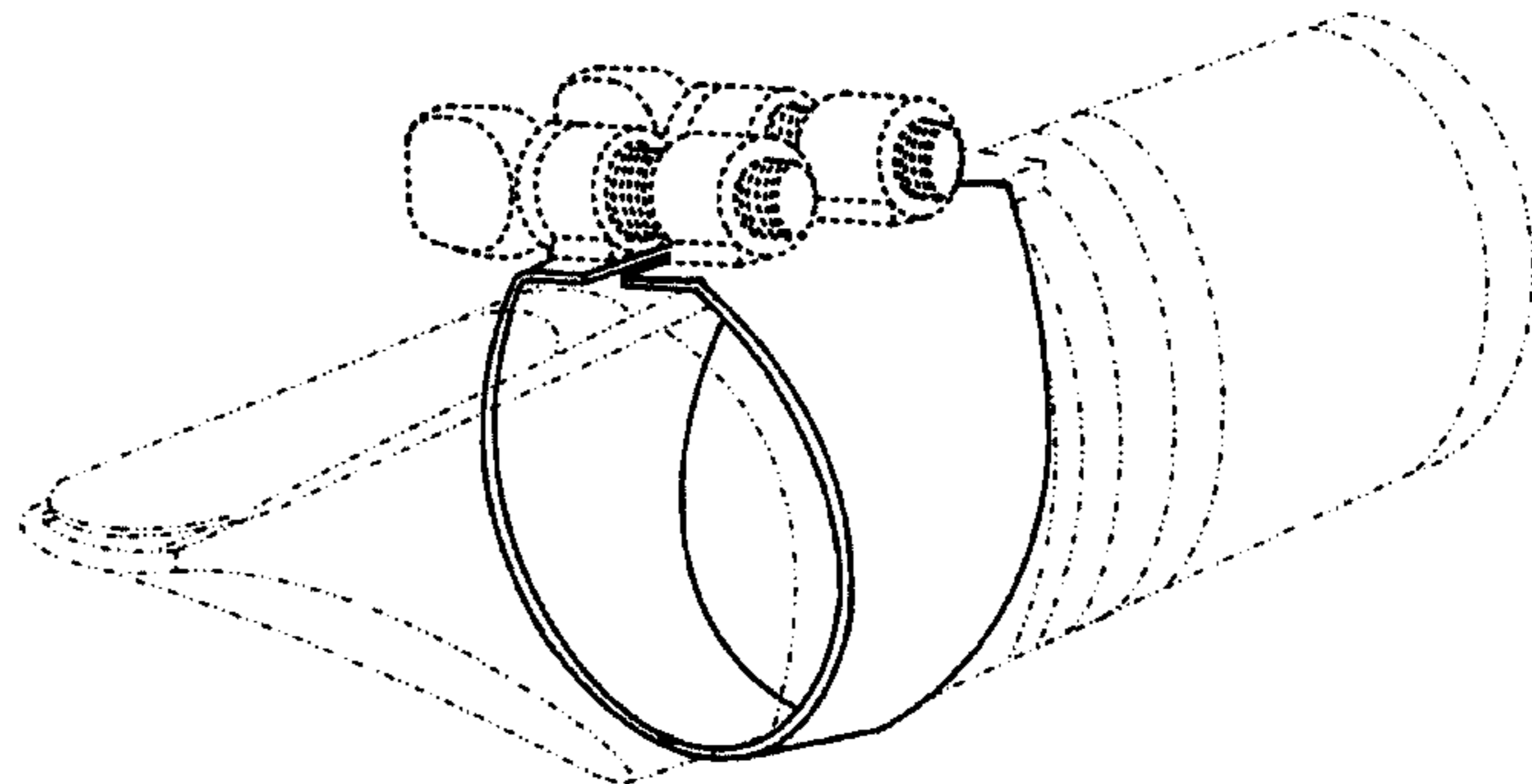
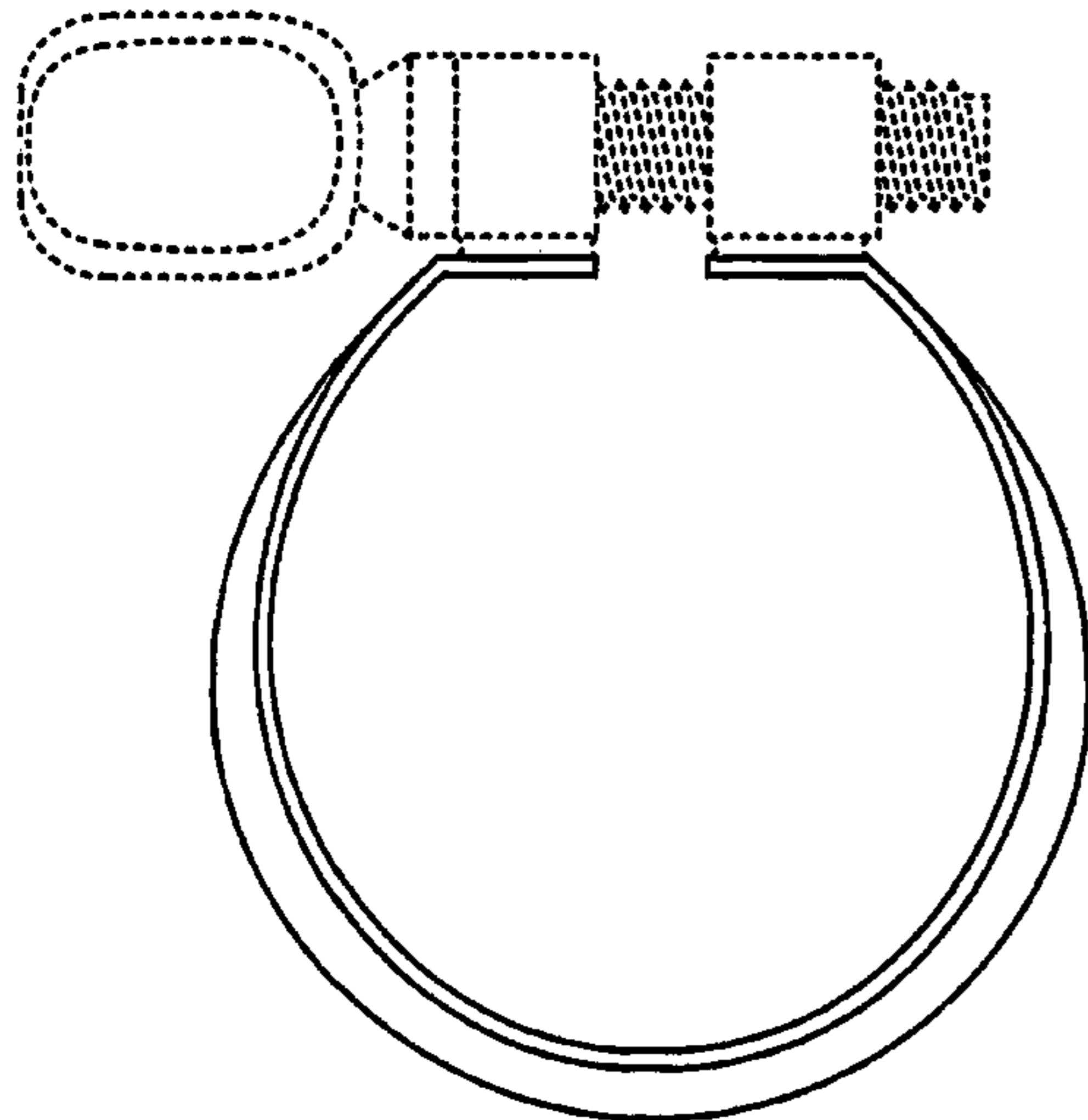


FIG. 1

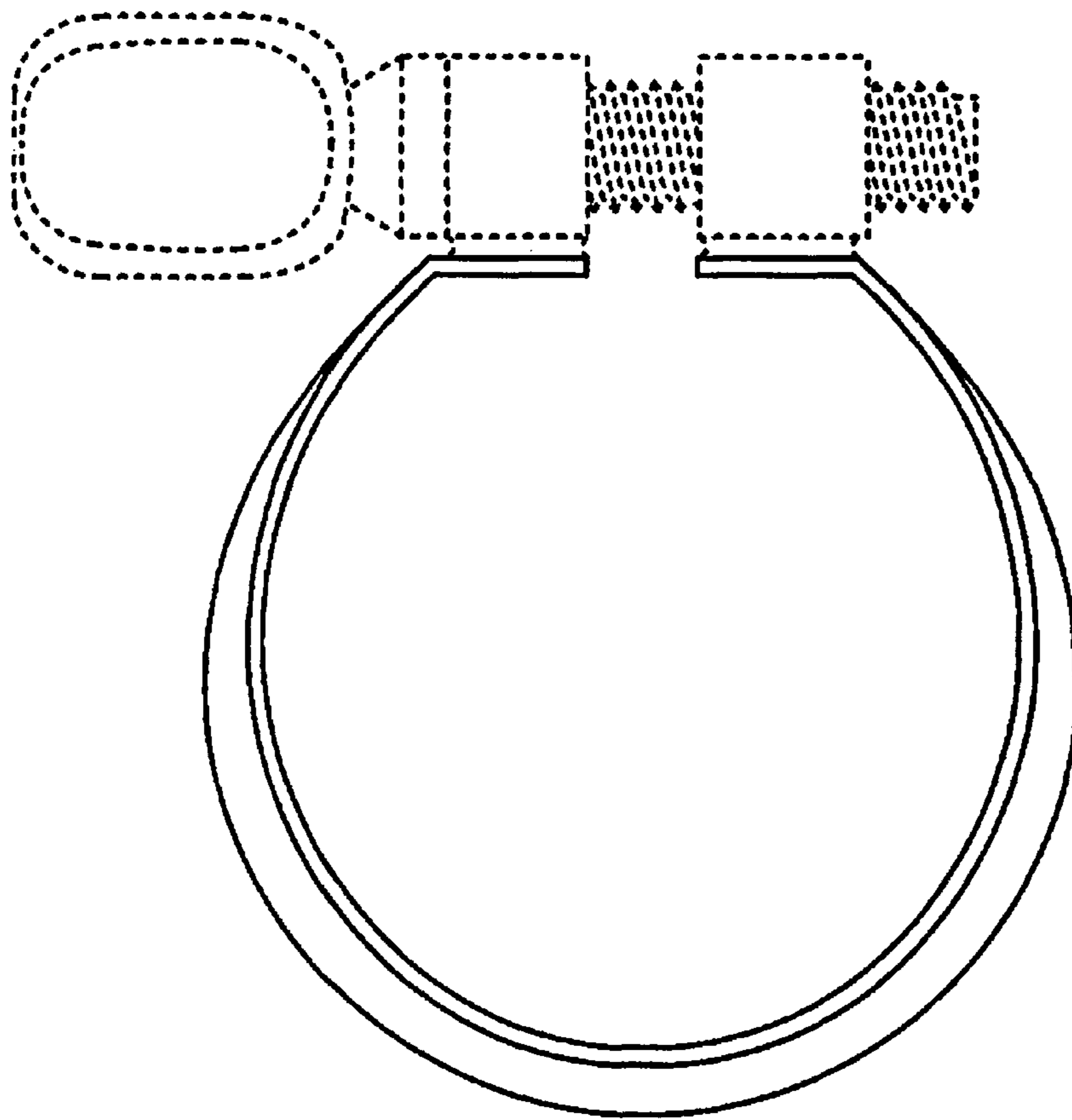


FIG. 2

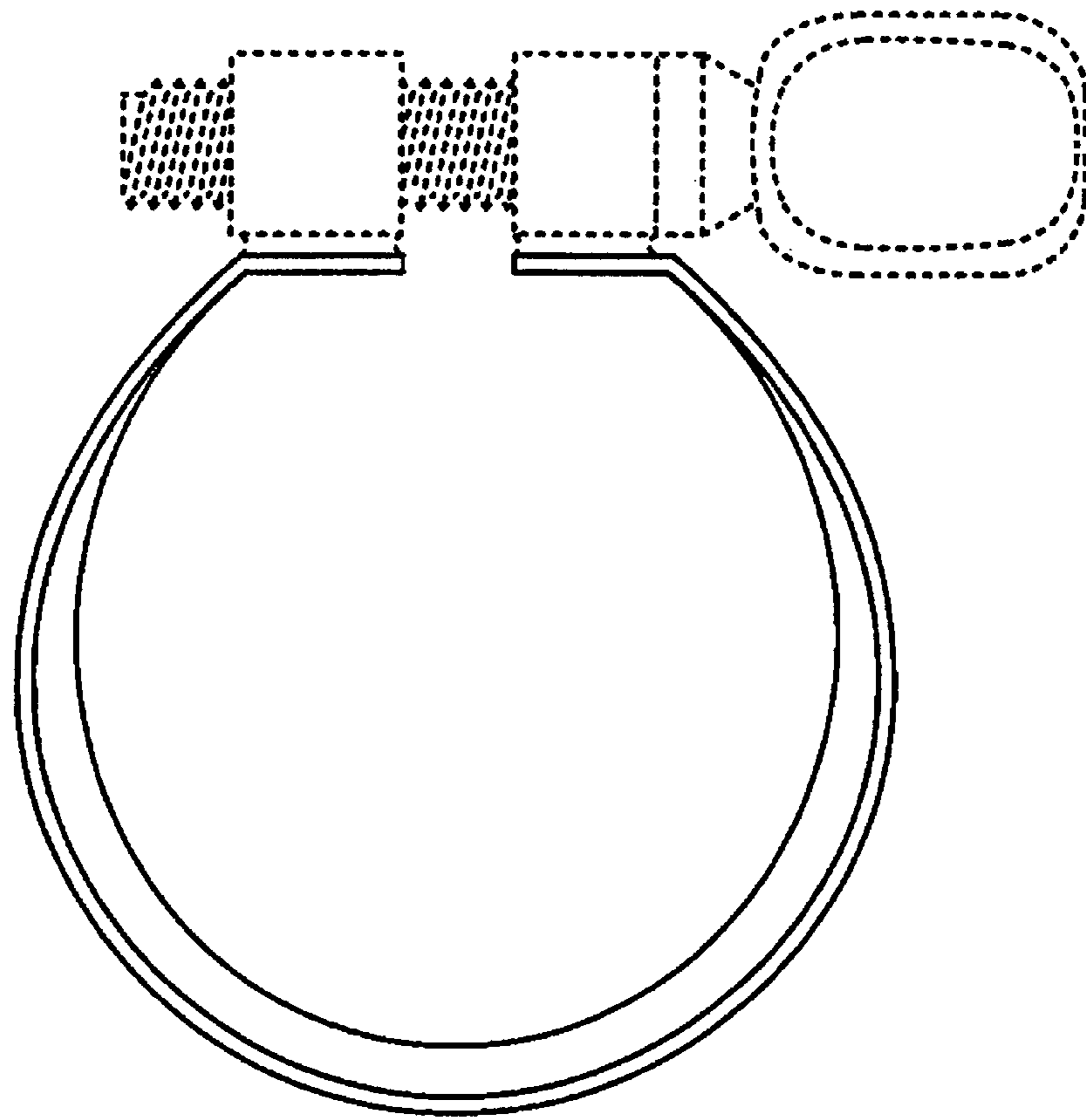


FIG. 3

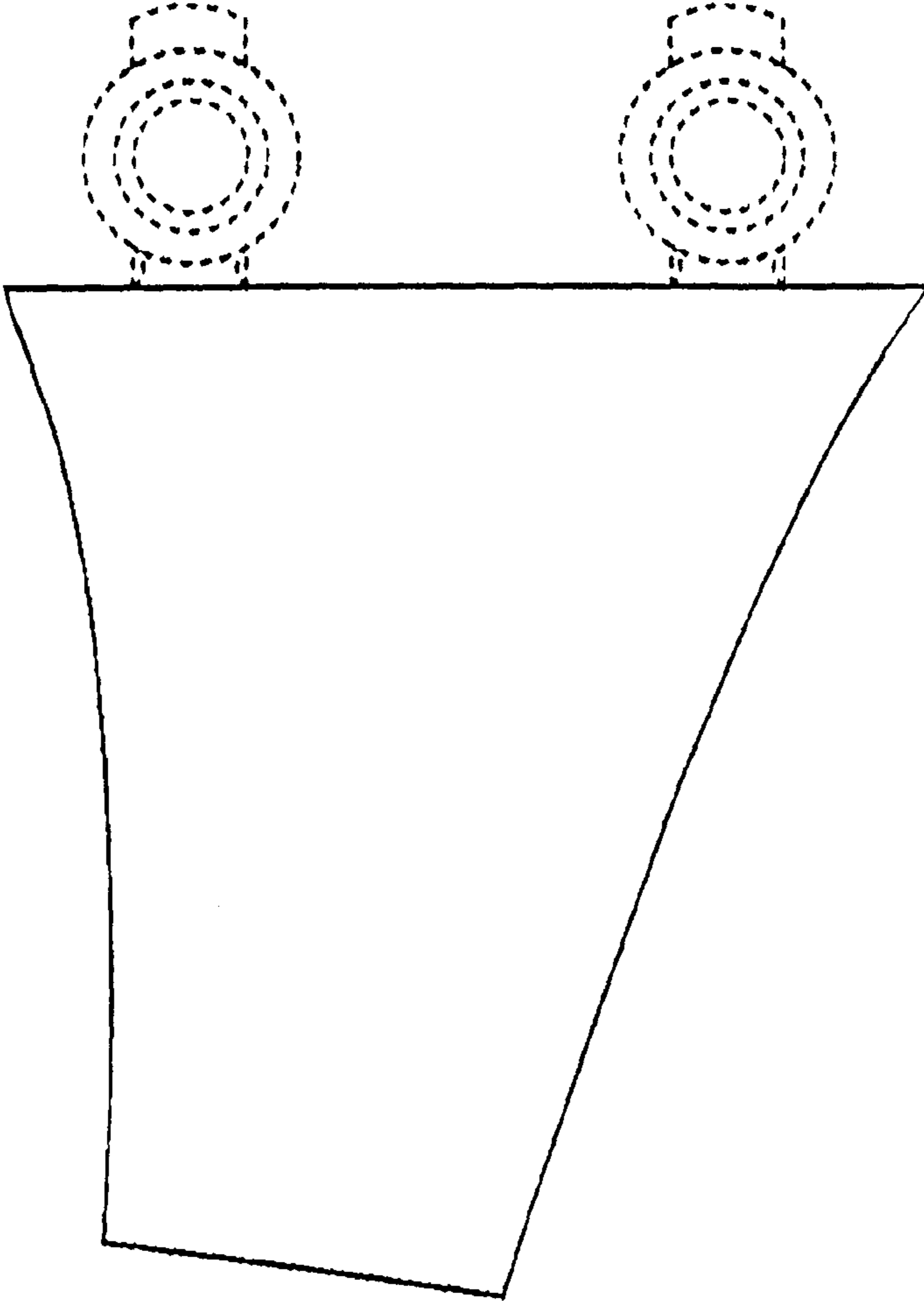


FIG. 4

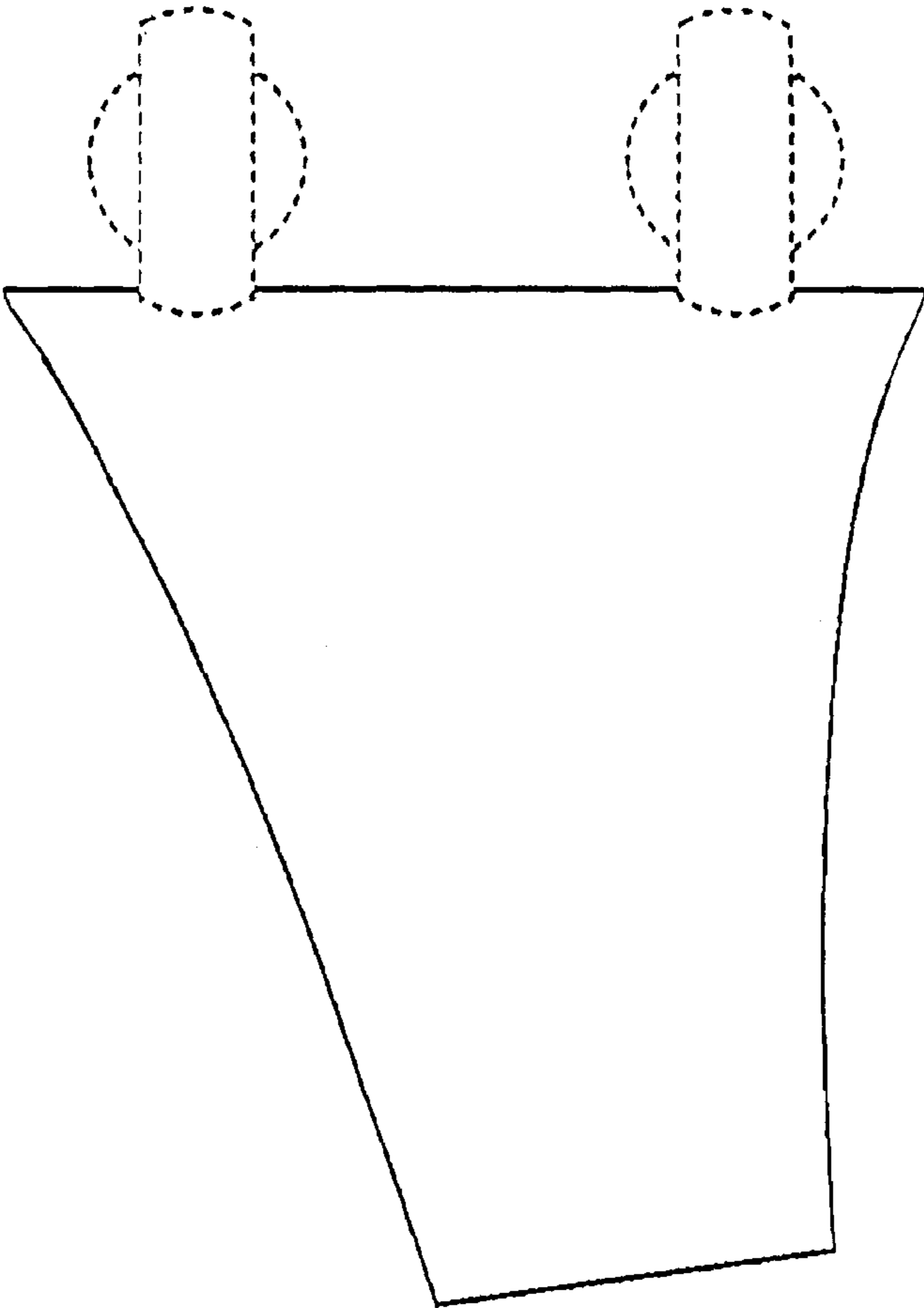


FIG. 5

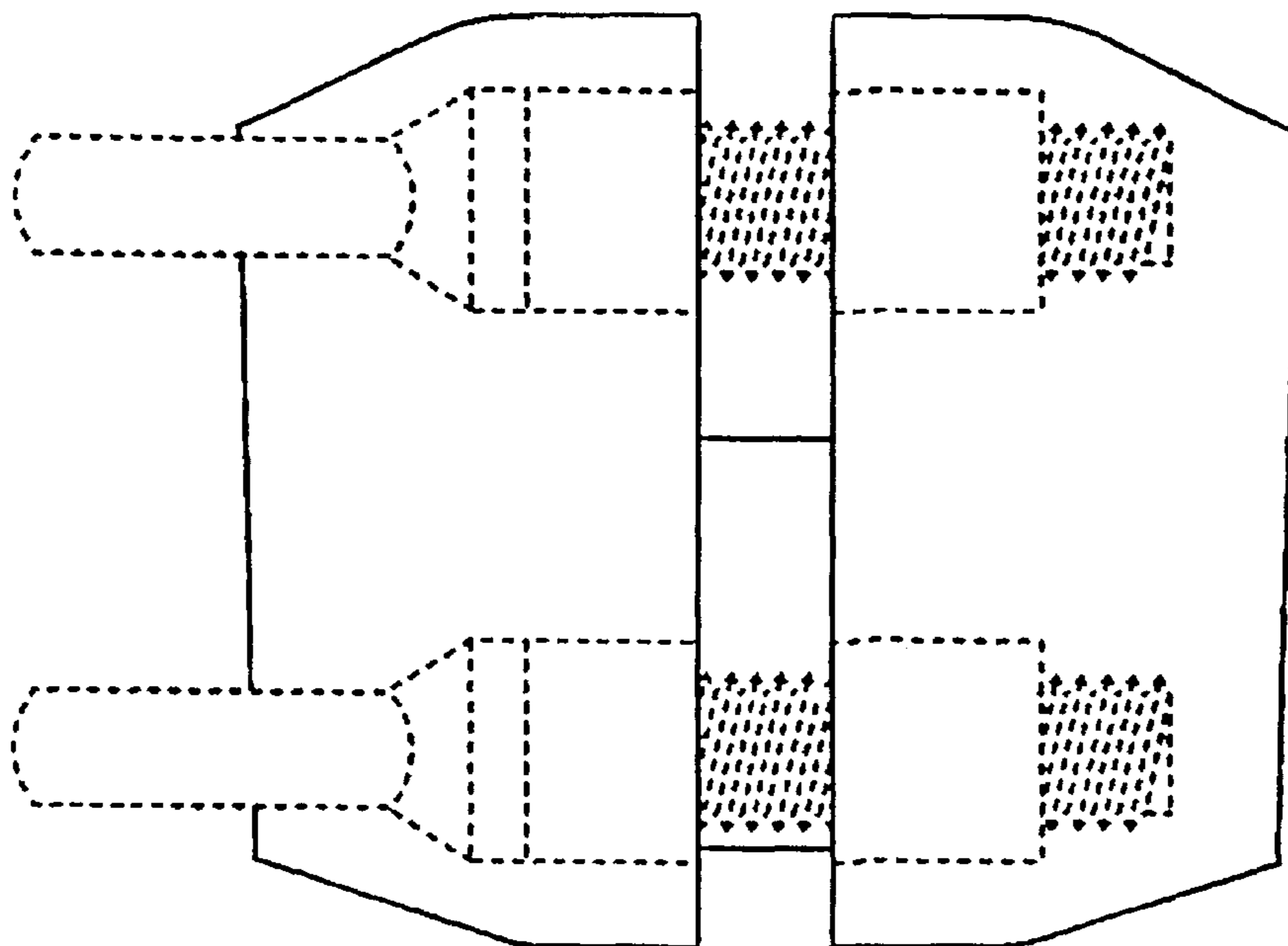


FIG. 6

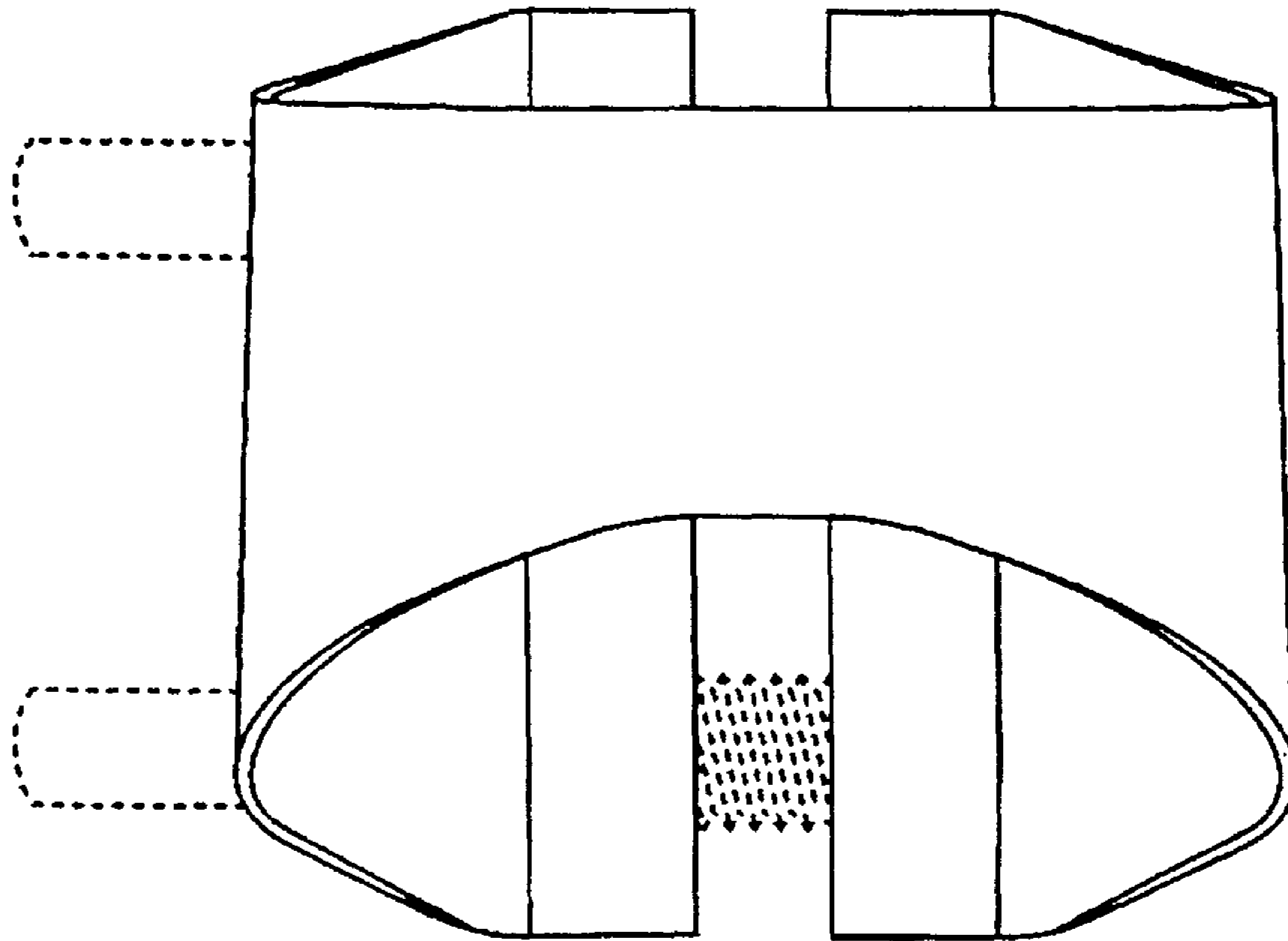


FIG. 7

