



US00D710932S

(12) **United States Design Patent**
Ford

(10) **Patent No.:** **US D710,932 S**
(45) **Date of Patent:** **** Aug. 12, 2014**

(54) **TRANSPARENT WIND INSTRUMENT**

(76) Inventor: **Aaron Ford**, New York, NY (US)

(**) Term: **14 Years**

(21) Appl. No.: **29/430,568**

(22) Filed: **Aug. 28, 2012**

(51) **LOC (10) CI.** **17-02**

(52) **U.S. CI.**
USPC **D17/10**

(58) **Field of Classification Search**

CPC G10D 7/00; G10D 7/02; G10D 7/023;
G10D 7/026; G10D 7/08; G10D 7/10; G10D
9/00; G10D 9/023; G10D 9/06
USPC D17/10, 11, 13, 99; 84/330, 380 R, 381,
84/382, 383 A, 384, 385 R, 386, 387 R,
84/391, 395, 398, 400, 453, 456, 470 R;
D21/405, 411

See application file for complete search history.

(56) **References Cited**

U.S. PATENT DOCUMENTS

43,438	A *	7/1864	Tanner	84/386
85,222	A *	12/1868	Fischer	84/380 R
341,181	A *	5/1886	St. John	84/380 R
723,613	A *	3/1903	Krantz	84/381
801,086	A *	10/1905	Jenks	84/384
968,694	A *	8/1910	Rubright	84/380 R
D56,986	S *	1/1921	Mortensen et al.	D17/10
3,127,806	A *	4/1964	Fox	84/380 R
3,745,871	A *	7/1973	Diez	84/375
4,206,680	A *	6/1980	Hanson et al.	84/382
D380,239	S *	6/1997	Zur	D21/405
6,696,629	B1 *	2/2004	Cooper, Jr.	84/385 R
D610,191	S *	2/2010	Lambert et al.	D17/99

OTHER PUBLICATIONS

Woodwind & Brasswind. <http://www.wwbw.com/Yamaha-YRS-20-Soprano-Translucent-Recorder-with-Baroque-Fingering-460056-i1142357.wwbw>. Jun. 2012. "Yamaha YRS-20 Soprano Translucent Recorder with Baroque Fingering".*
Woodwind & Brasswind. <http://www.wwbw.com/Canto-One-Piece-Translucent-Soprano-Recorder-with-Baroque-Fingering-463111-i1144180.wwbw#>. Mar. 2009. "Canto One-Piece Translucent Soprano Recorder with Baroque Fingering".*

* cited by examiner

Primary Examiner — Rashida Johnson

(74) *Attorney, Agent, or Firm* — King & Spalding LLP

(57) **CLAIM**

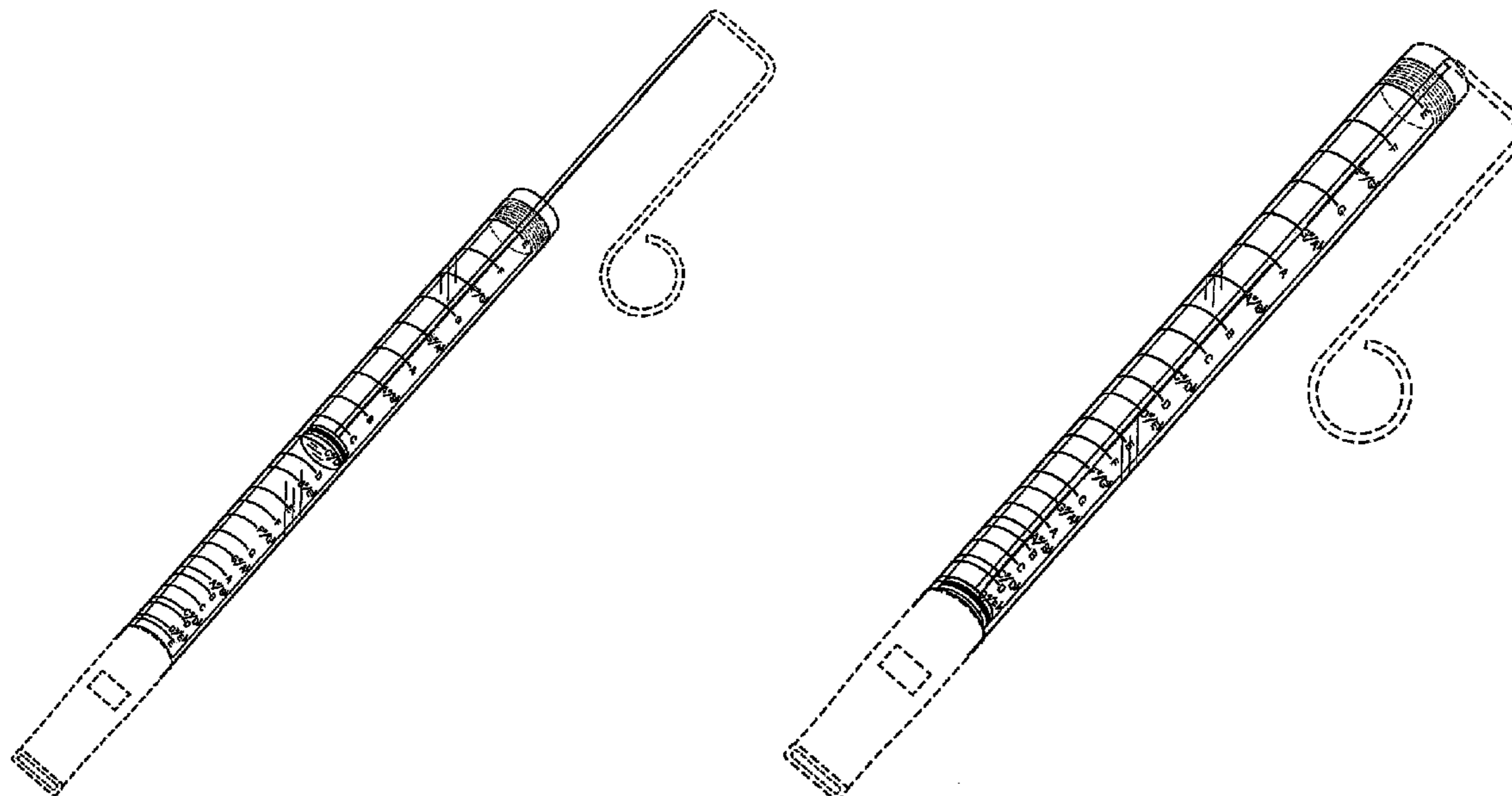
The ornamental design for a transparent wind instrument, as shown and described.

DESCRIPTION

FIG. 1 is a perspective view of a transparent wind instrument according to the invention in a first configuration;
FIG. 2 is a perspective view of a transparent wind instrument according to the invention in a second configuration;
FIG. 3 is a front view of a transparent wind instrument showing my new design;
FIG. 4 is a rear view thereof;
FIG. 5 is a side view thereof;
FIG. 6 is a side opposite that shown in FIG. 5;
FIG. 7 is a top plan view thereof; and,
FIG. 8 is a bottom plan view thereof.

The portions of the figures illustrated in broken lines are provided for illustrative purposes only and form no part of the claimed design.

1 Claim, 5 Drawing Sheets



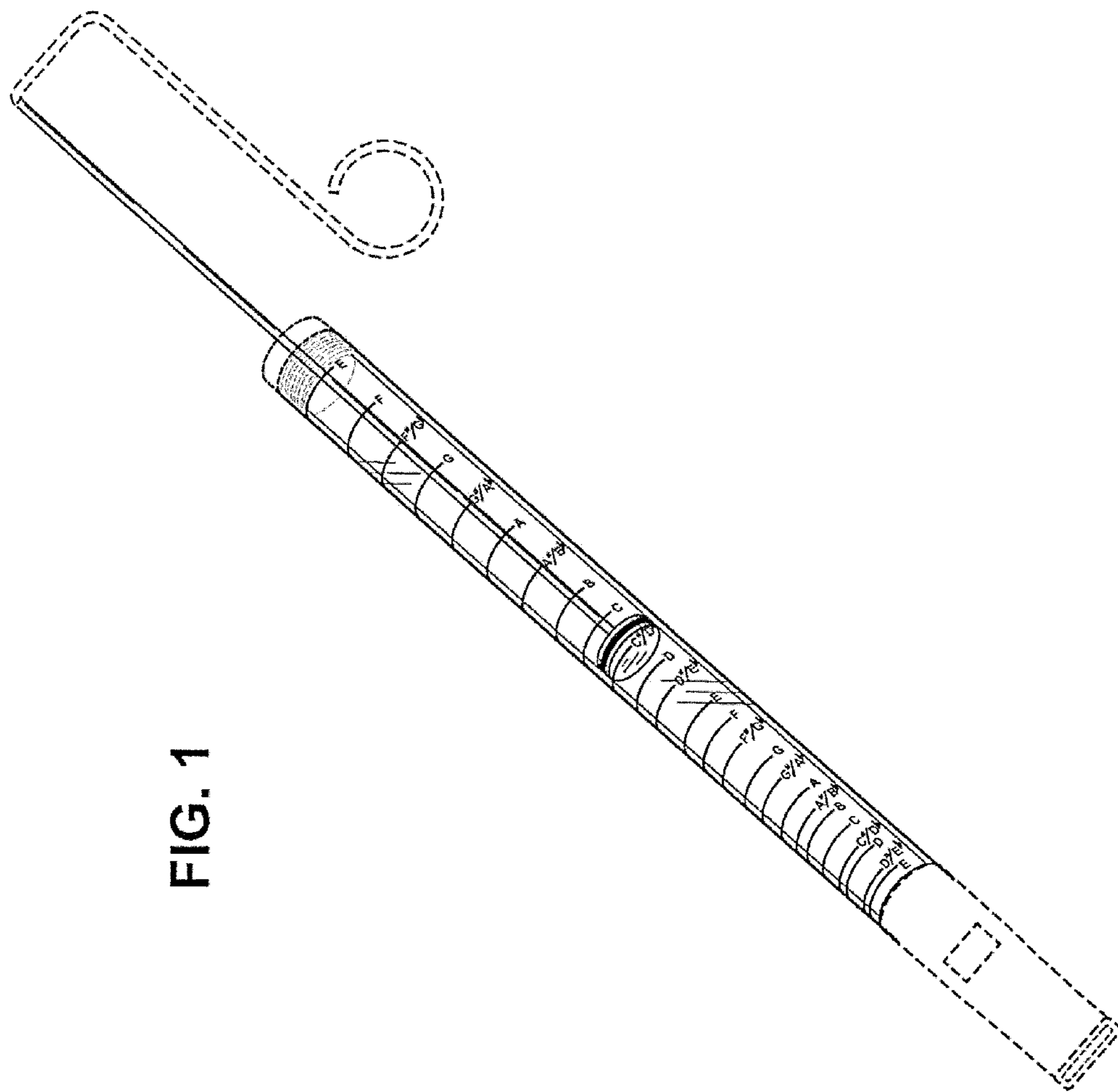


FIG. 1

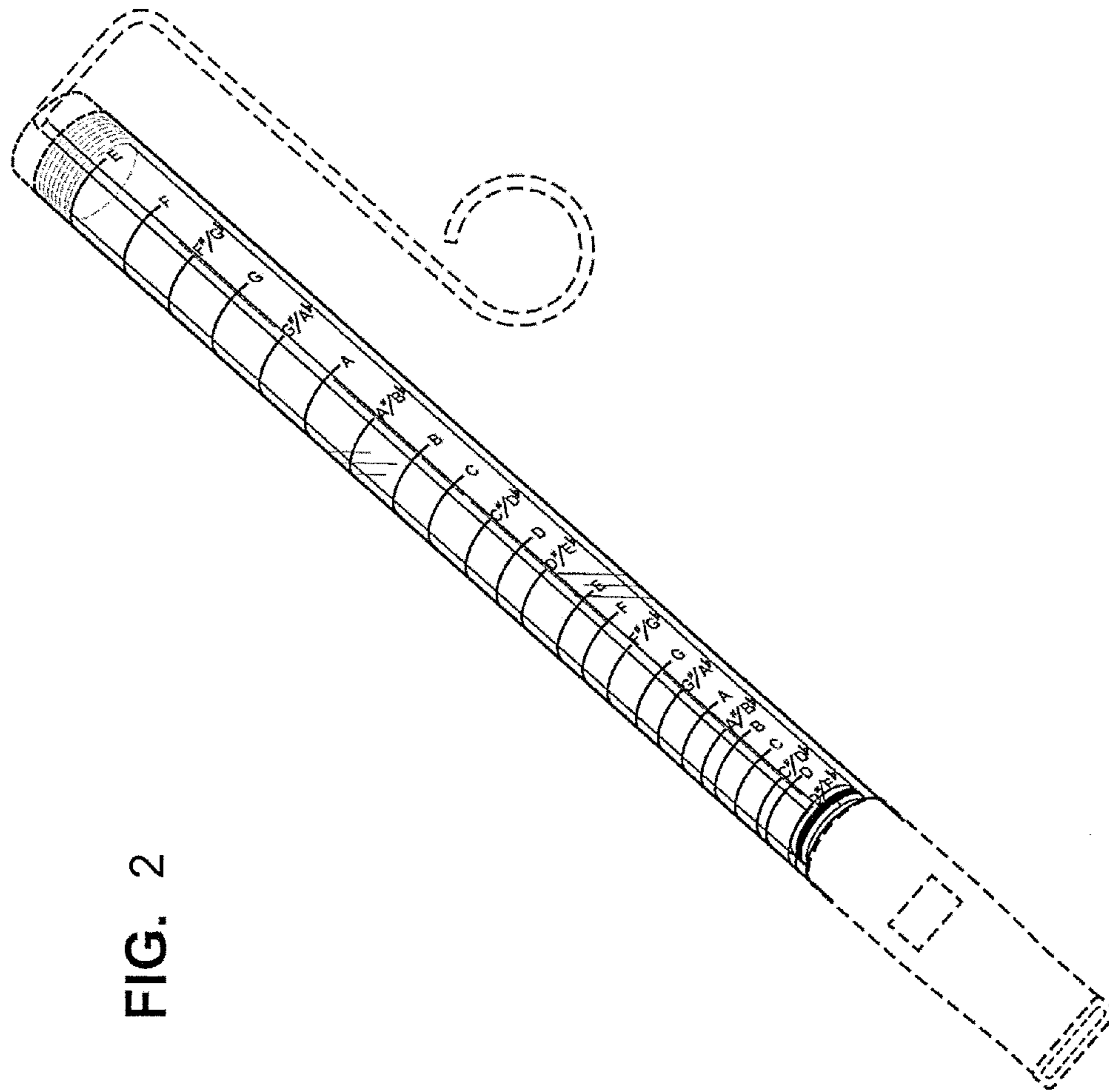
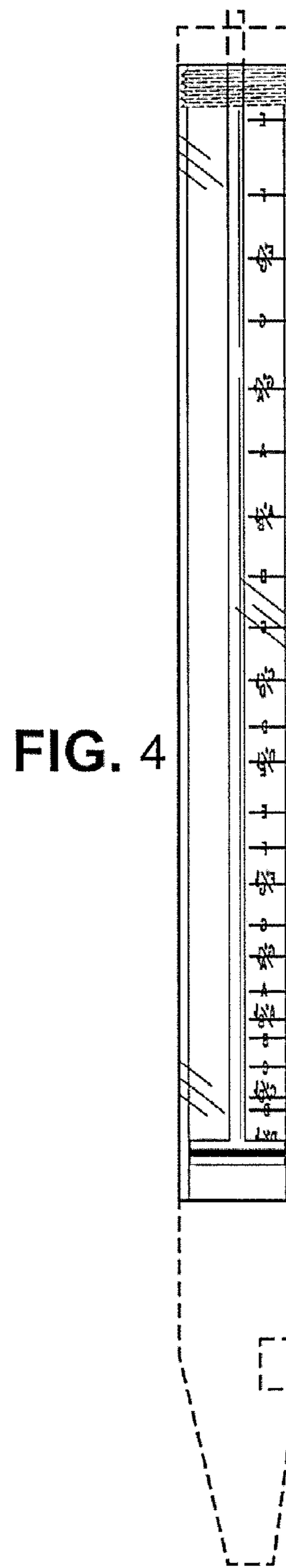
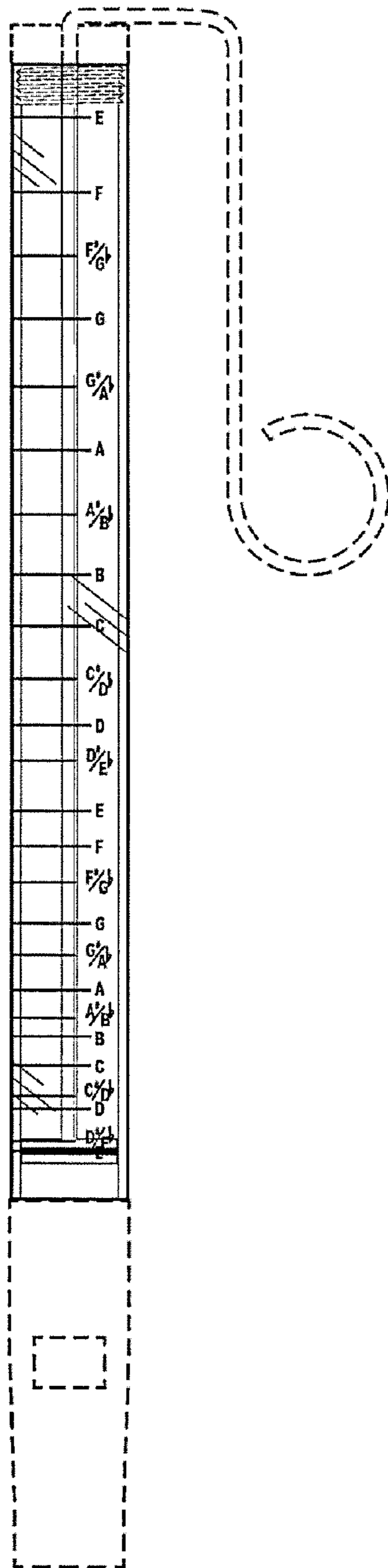
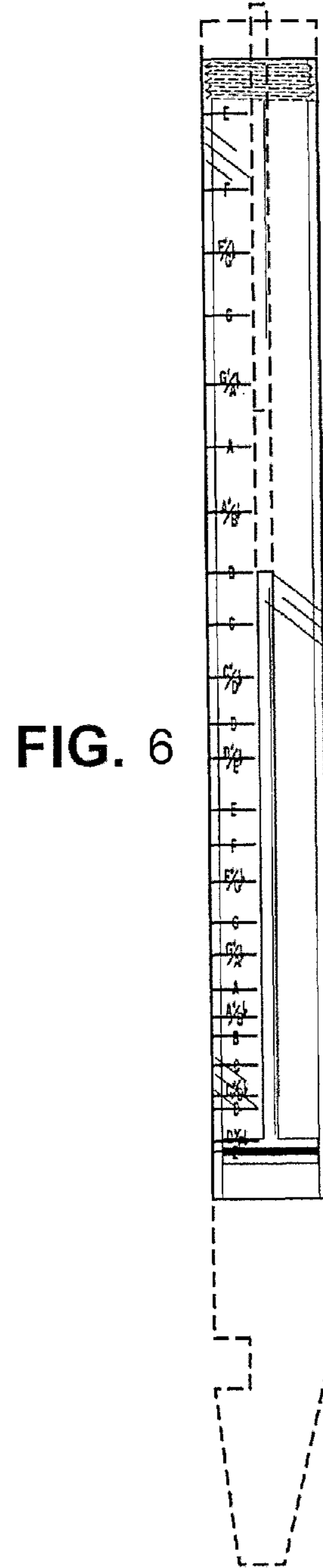
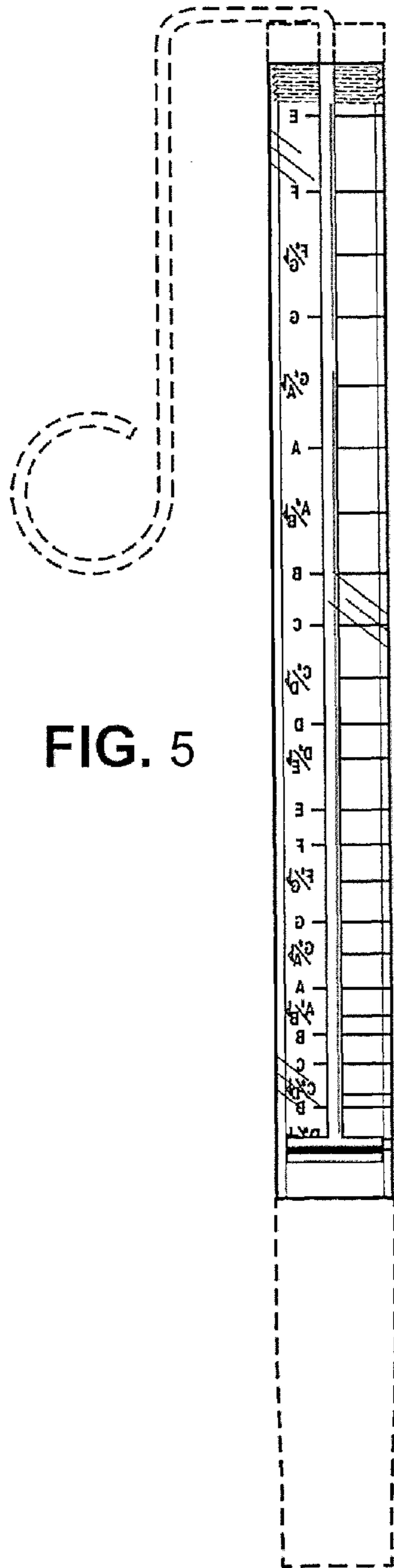


FIG. 2





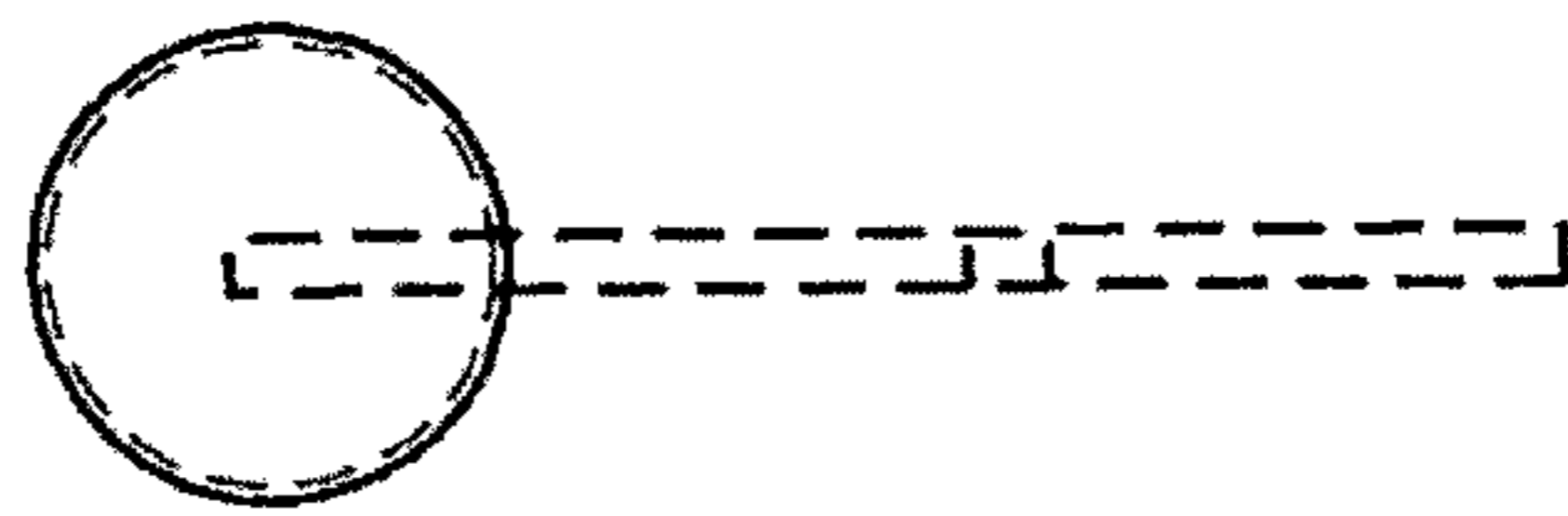


FIG. 7

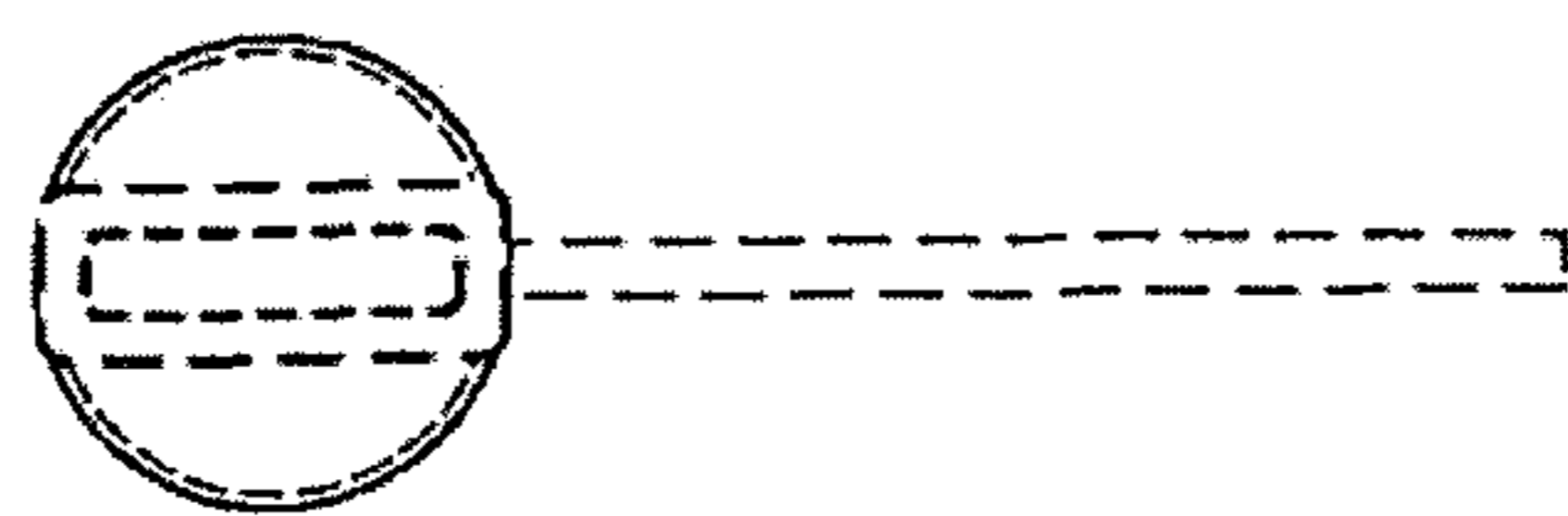


FIG. 8