



US00D710927S

(12) **United States Design Patent**
Eynav

(10) **Patent No.:** **US D710,927 S**
(45) **Date of Patent:** **** Aug. 12, 2014**

(54) **CAMERA HOLSTER**

- (71) Applicant: **Shai Gear, LLC**, Ithaca, NY (US)
- (72) Inventor: **Shai Eynav**, Ithaca, NY (US)
- (73) Assignee: **Shai Gear LLC**, Ithaca, NY (US)
- (**) Term: **14 Years**
- (21) Appl. No.: **29/433,498**
- (22) Filed: **Oct. 1, 2012**

Related U.S. Application Data

- (63) Continuation-in-part of application No. 12/904,150, filed on Oct. 13, 2010.
- (51) **LOC (10) Cl.** **16-05**
- (52) **U.S. Cl.**
USPC **D16/242; D16/237**
- (58) **Field of Classification Search**
USPC D16/237, 239, 240; D14/203.4, 250, D14/345, 440, 449; 362/3, 16-18, 182, 552, 362/612; D3/219, 267-278; D8/73, 107, D8/310, 352, 373, 382; D9/435, 445, 453, D9/454
See application file for complete search history.

References Cited

U.S. PATENT DOCUMENTS

| | | | | |
|--------------|---------|---------------|-------|---------|
| D279,683 S * | 7/1985 | Olsen | | D16/219 |
| D396,160 S * | 7/1998 | Huang | | D6/567 |
| D421,443 S * | 3/2000 | Nagele et al. | | D14/253 |
| D467,068 S * | 12/2002 | Lewis et al. | | D3/215 |
| D529,489 S * | 10/2006 | Sbordon, Jr. | | D14/253 |
| D549,171 S * | 8/2007 | Sbordon, Jr. | | D13/108 |
| D586,795 S * | 2/2009 | Richter | | D14/253 |
| D628,615 S * | 12/2010 | Siegel et al. | | D16/242 |
| D663,609 S * | 7/2012 | Ogden, Jr. | | D8/354 |
| D685,380 S * | 7/2013 | Richter | | D14/447 |
| D685,838 S * | 7/2013 | Corticelli | | D16/242 |
| D690,760 S * | 10/2013 | Huang | | D16/242 |

OTHER PUBLICATIONS

Spider Camera Holster review: stick 'em up. Published Oct. 13, 2009. [online] Retrieved Dec. 4, 2013 from URL: <<http://www.engadget.com/2009/10/13/spider-camera-holster-review-stick-em-up/>>.*

Spider Camera Holster review: stick 'em up—Gallery Images. Published Oct. 13, 2009. [online] Retrieved Dec. 4, 2013 from URL: <<http://www.engadget.com/2009/10/13/spider-camera-holster-review-stick-em-up/>>.*

SpiderHolster SpiderPro Camera Holster Base, and Plate with Pin. Date first available: May 26, 2011. [online] Retrieved Dec. 5, 2013 from URL: <http://www.amazon.com/SpiderHolster-SpiderPro-Camera-Holster-Plate/dp/B004TGR8CE/ref=sr_1_5?s=pho%E2%80%A6>.*

* cited by examiner

Primary Examiner — Susan Bennett Hattan
Assistant Examiner — Vy Koenig

(74) *Attorney, Agent, or Firm* — Thomas T. Aquilla; Aquilla Patents & Marks PLLC

(57) **CLAIM**

The ornamental design for a camera holster, as shown and described.

DESCRIPTION

FIG. 1 shows a top/front/side perspective view of the camera holster of the invention.

FIG. 2 shows a front elevation view of the camera holster of the invention.

FIG. 3 shows a side elevation view of the camera holster of the invention.

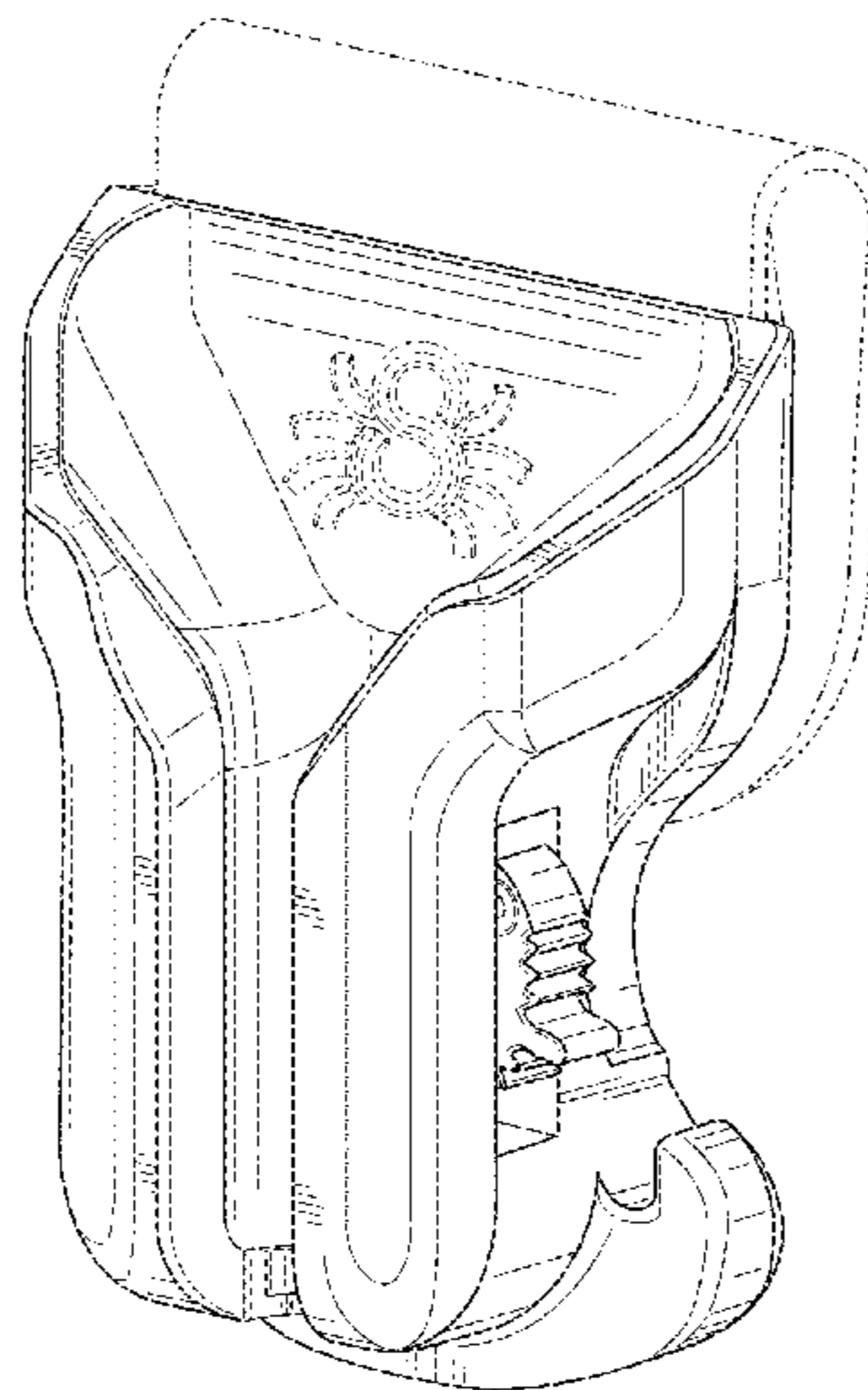
FIG. 4 shows a side elevation view of the side opposite that of FIG. 4.

FIG. 5 shows a top plan view of the camera holster of the invention; and,

FIG. 6 shows a bottom plan view of the camera holster of the invention.

The broken lines in the drawings depict environmental features and form no part of the claimed design.

1 Claim, 4 Drawing Sheets



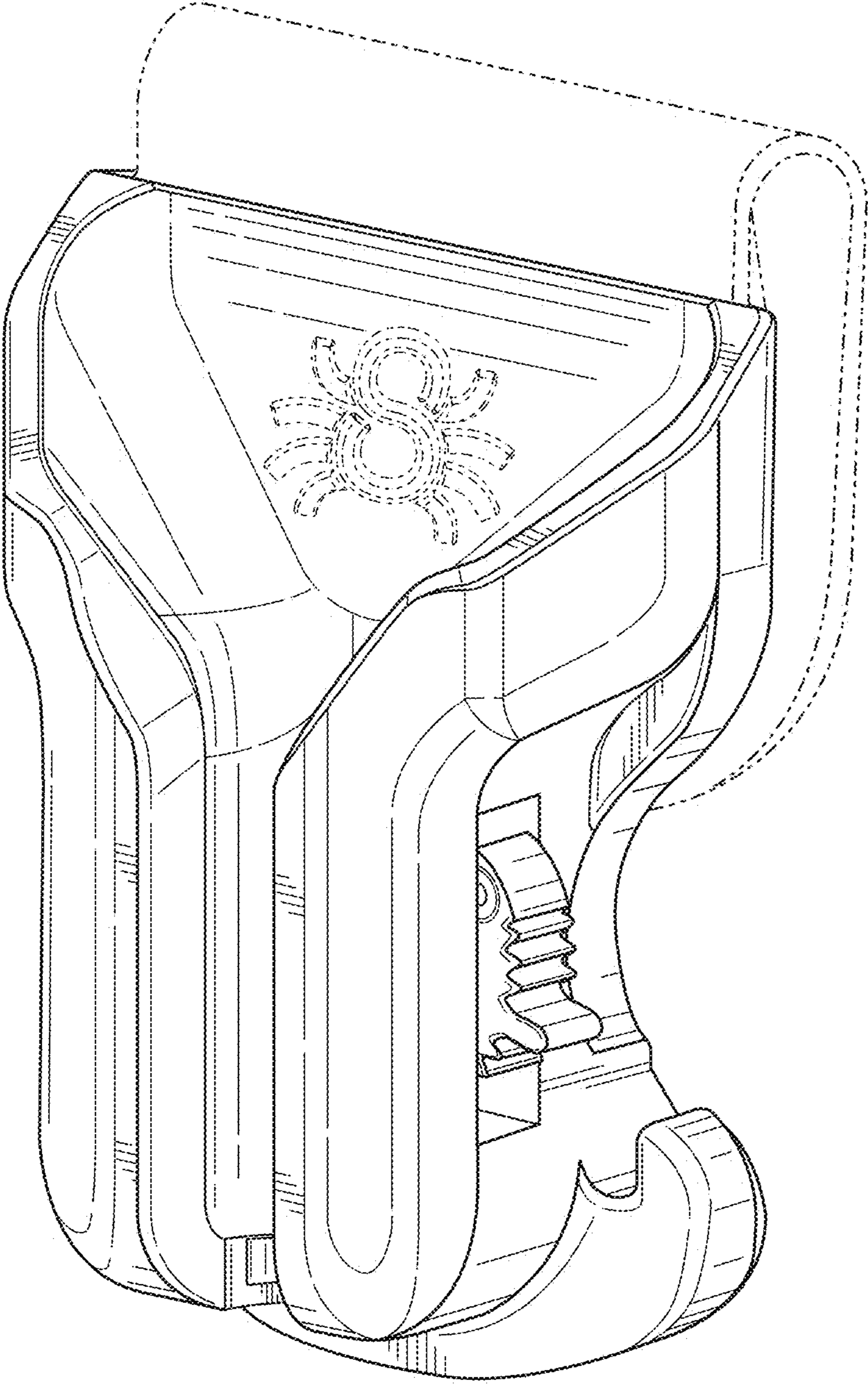


FIG. 1

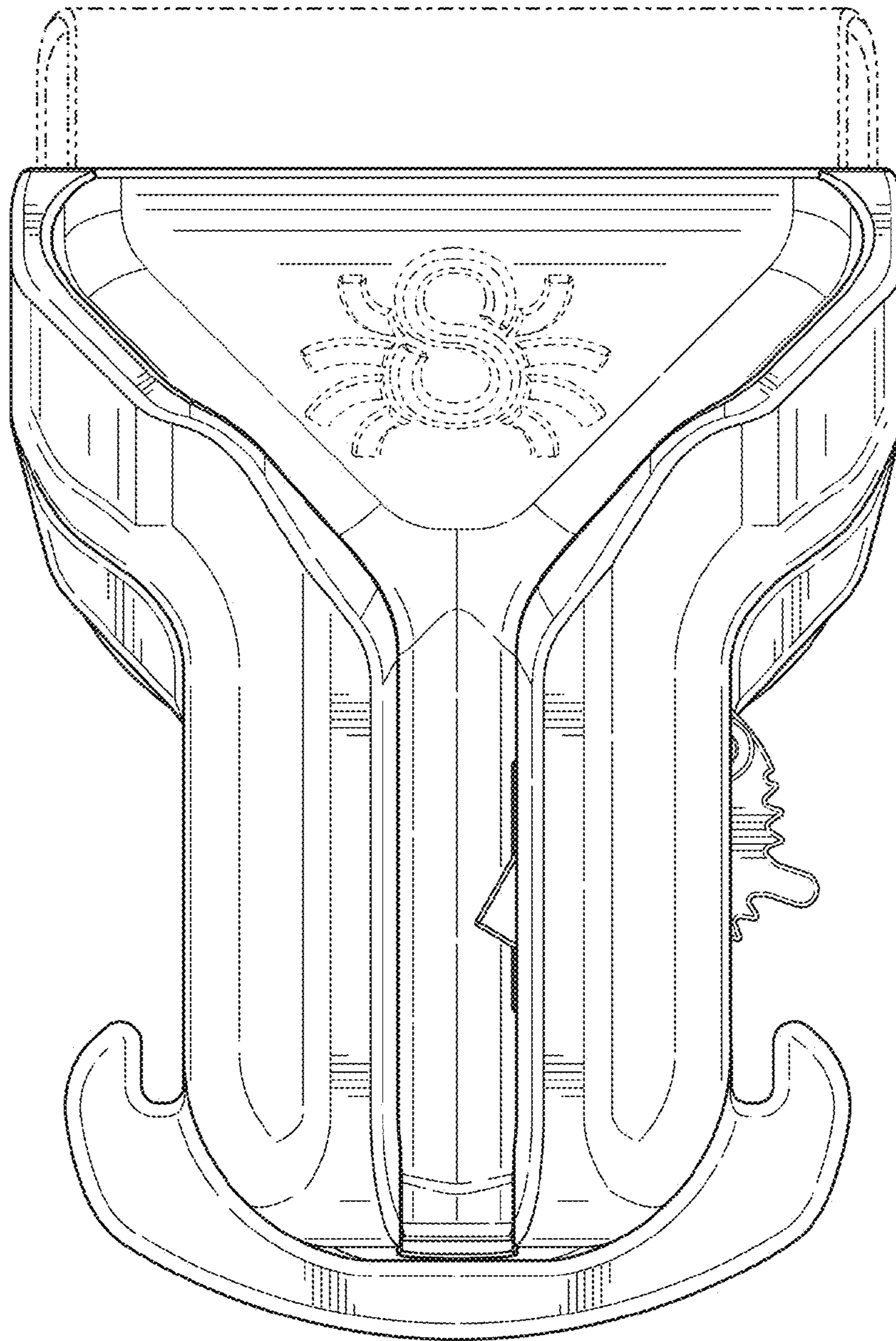


FIG. 2

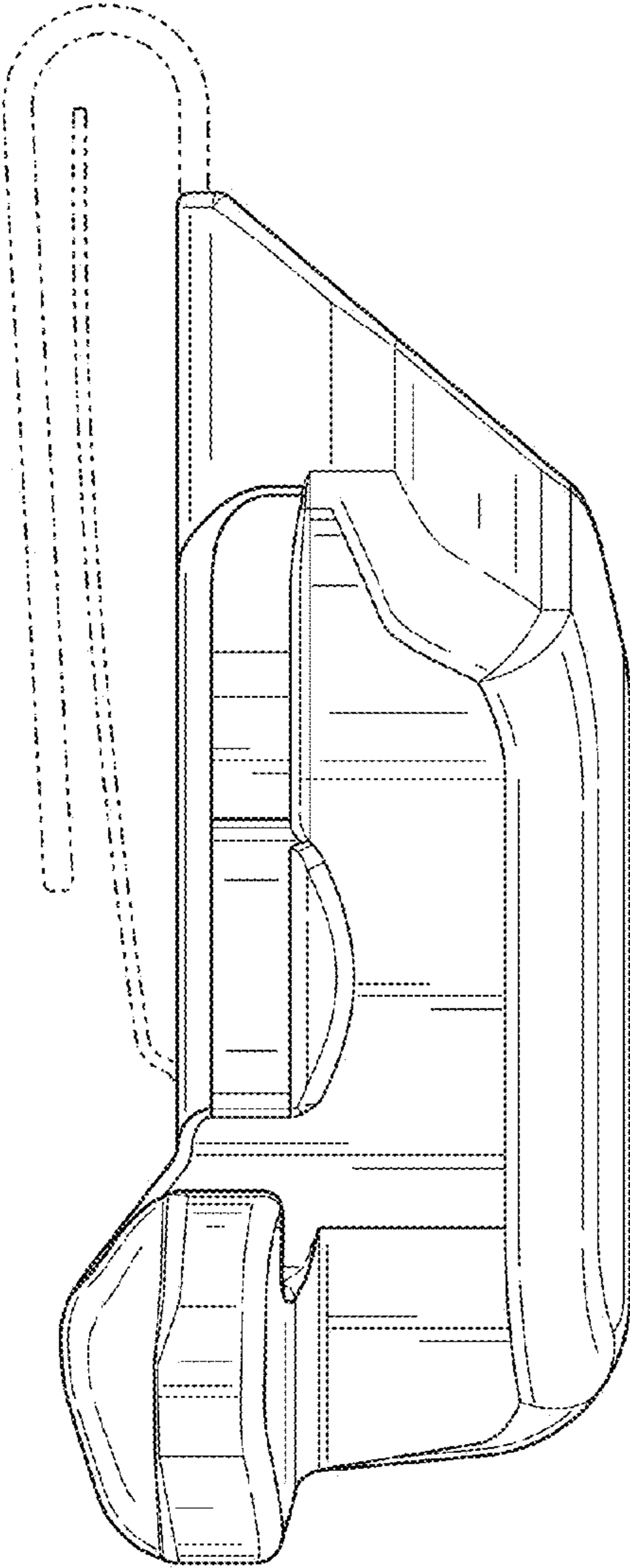


FIG. 3

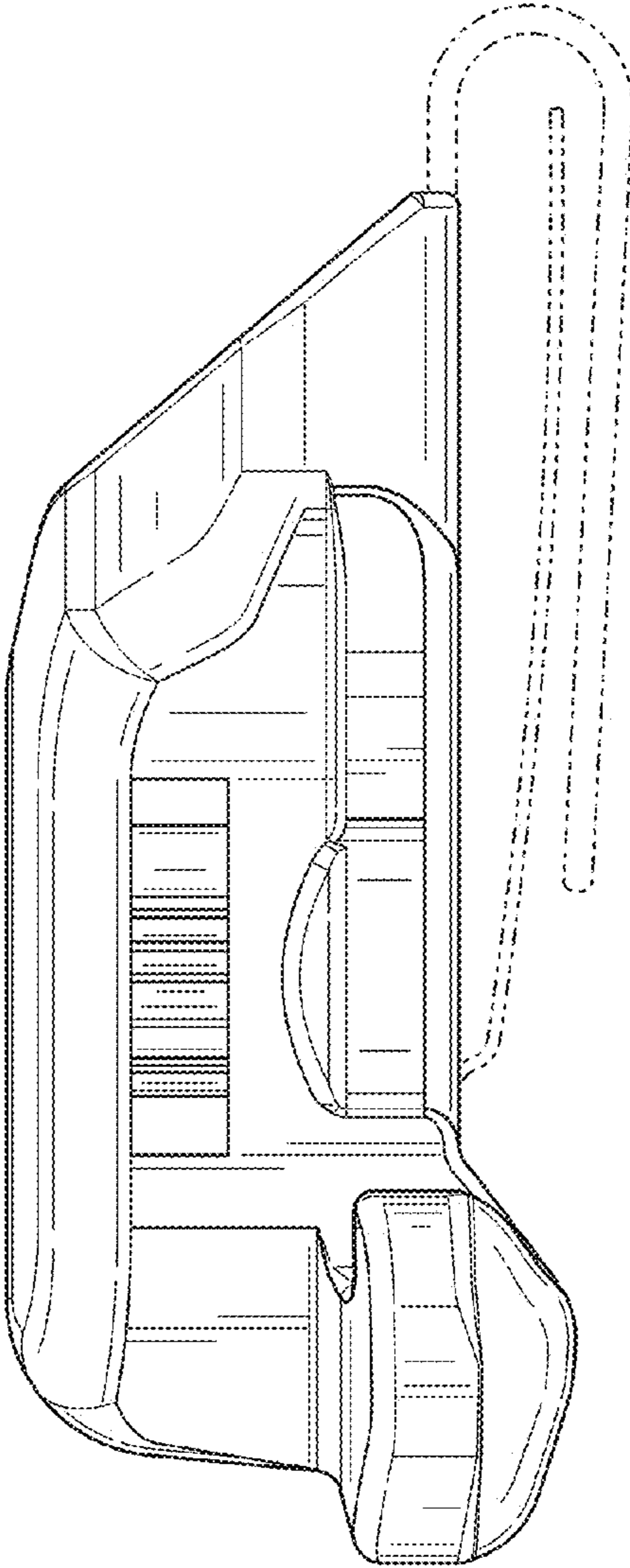


FIG. 4

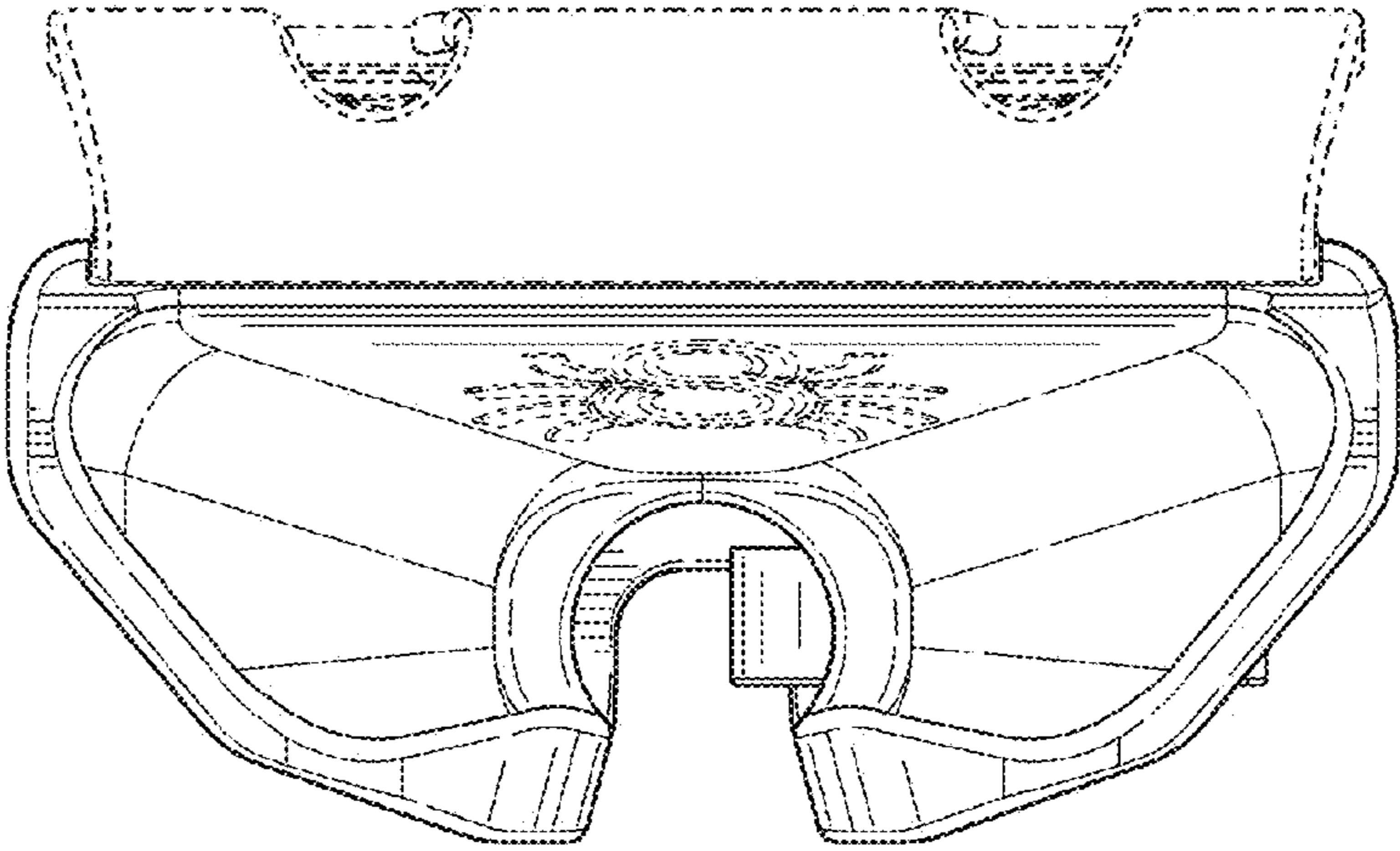


FIG. 5

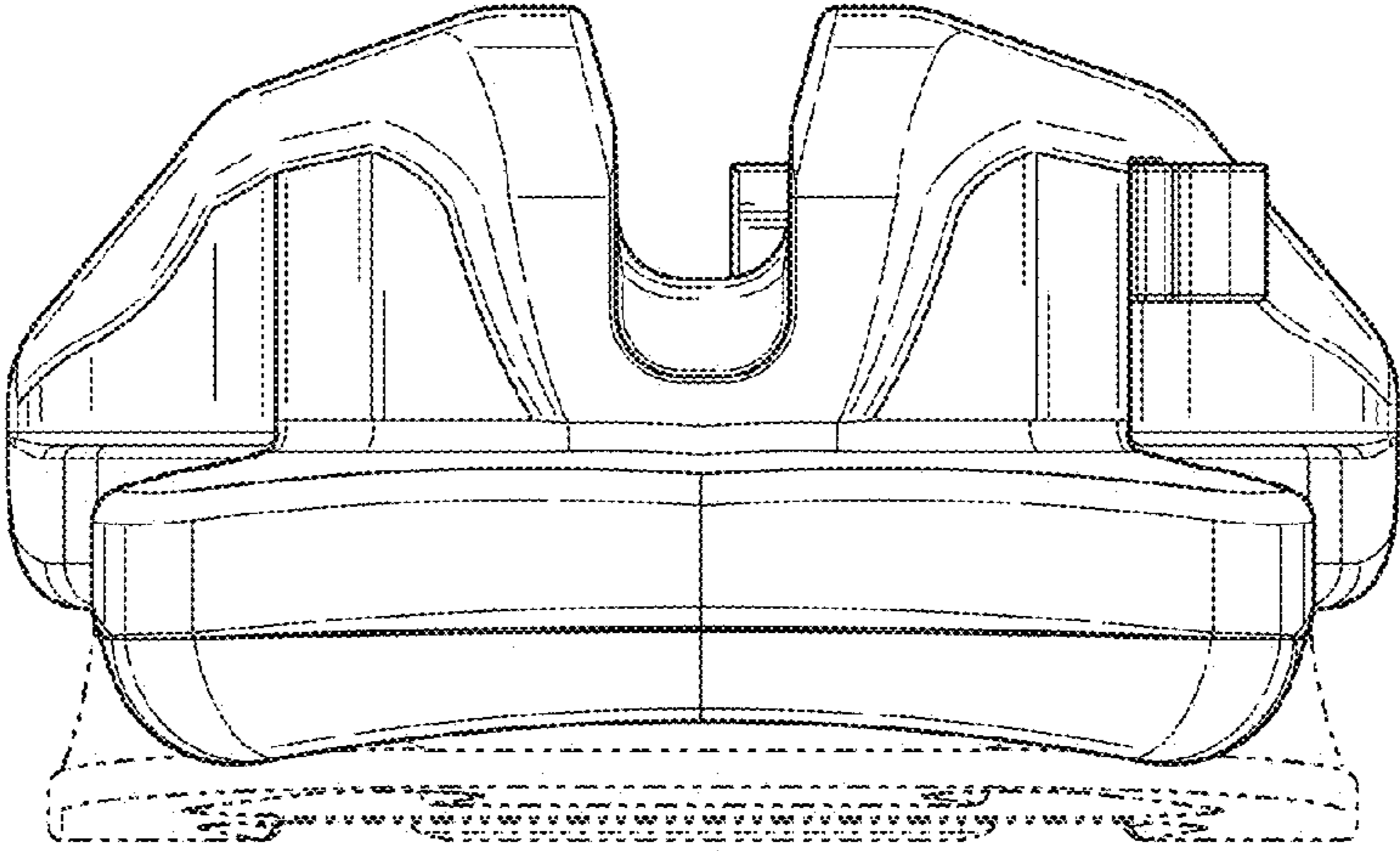


FIG. 6