



US00D710926S

(12) **United States Design Patent**
Li

(10) **Patent No.:** **US D710,926 S**

(45) **Date of Patent:** **** Aug. 12, 2014**

(54) **LIGHT DIFFUSER**

(76) Inventor: **Bing Li, Shenzhen (CN)**

(**) Term: **14 Years**

(21) Appl. No.: **29/415,485**

(22) Filed: **Mar. 11, 2012**

Related U.S. Application Data

(63) Continuation-in-part of application No. 29/409,021, filed on Dec. 20, 2011.

(30) **Foreign Application Priority Data**

Jun. 27, 2011 (CN) 2011 3 0197500

Sep. 13, 2011 (CN) 2011 3 0320290

(51) **LOC (10) Cl.** **16-05**

(52) **U.S. Cl.**

USPC **D16/237**

(58) **Field of Classification Search**

USPC D16/200–204, 208, 214, 219, 235, 237,
D16/242–245, 250; D14/217, 511;
248/176.1, 177.1, 178.1, 179.1, 180.1,
248/183.1, 187.1, 683; 362/16, 17, 200,
362/322, 352, 450, 516, 847; 396/419–428;
D26/85–87, 113, 118, 122–124, 128

See application file for complete search history.

(56) **References Cited**

U.S. PATENT DOCUMENTS

D91,915 S 4/1934 Wise
D204,302 S 4/1966 Pauli
D209,081 S 10/1967 Netland
4,616,293 A 10/1986 Baliozian
4,757,425 A 7/1988 Waltz
D312,471 S 11/1990 Couch
5,023,756 A 6/1991 Regester
D329,104 S 9/1992 Dieperink
5,154,503 A 10/1992 Sternsher
5,311,409 A 5/1994 King
D373,132 S 8/1996 Baillie-Hamilton et al.
D399,862 S 10/1998 Baliozian
5,839,006 A 11/1998 Beckerman
D439,364 S * 3/2001 Avigor D26/118
6,411,778 B1 6/2002 Peterson

6,733,145 B2 5/2004 Shirilla
D501,947 S 2/2005 Haugaard et al.
D522,680 S 6/2006 Stephant
D527,134 S 8/2006 Bagen
D551,385 S * 9/2007 Huang D26/118
D565,229 S 3/2008 Haugaard et al.
D570,516 S 6/2008 Orellana
D588,292 S 3/2009 Sabernig
D619,297 S * 7/2010 Huang D26/118
D622,897 S * 8/2010 Unsworth D26/124
7,773,869 B2 8/2010 Zou
7,810,941 B2 10/2010 Capozzi
D632,831 S * 2/2011 Baker et al. D26/118
D636,110 S * 4/2011 Hsieh D26/118
D641,100 S 7/2011 Li
D654,212 S * 2/2012 Blum et al. D26/118
D671,587 S * 11/2012 Li D16/237
D690,875 S * 10/2013 McKenzie et al. D26/118
2008/0181598 A1 7/2008 Kobre
2008/0204883 A1 8/2008 Fong

FOREIGN PATENT DOCUMENTS

CN 301404282 S 12/2010
CN 201696908 U 1/2011
CN 301493545 S 3/2011
CN 301600070 S 6/2011
CN 301600071 S 6/2011
CN 301695754 S 10/2011
CN 301815344 S 1/2012
CN 301846337 S 2/2012
CN 301847449 S 2/2012
CN 301847450 S 2/2012
CN 301847451 S 2/2012
CN 301853891 S 3/2012
CN 301853892 S 3/2012
CN 301867700 S 3/2012
CN 301942951 S 5/2012
CN 301982719 S 7/2012
CN 302032781 S 8/2012
CN 302032782 S 8/2012
CN 302032783 S 8/2012
CN 302032784 S 8/2012
CN 302032785 S 8/2012
WO WO 2011/124004 10/2011

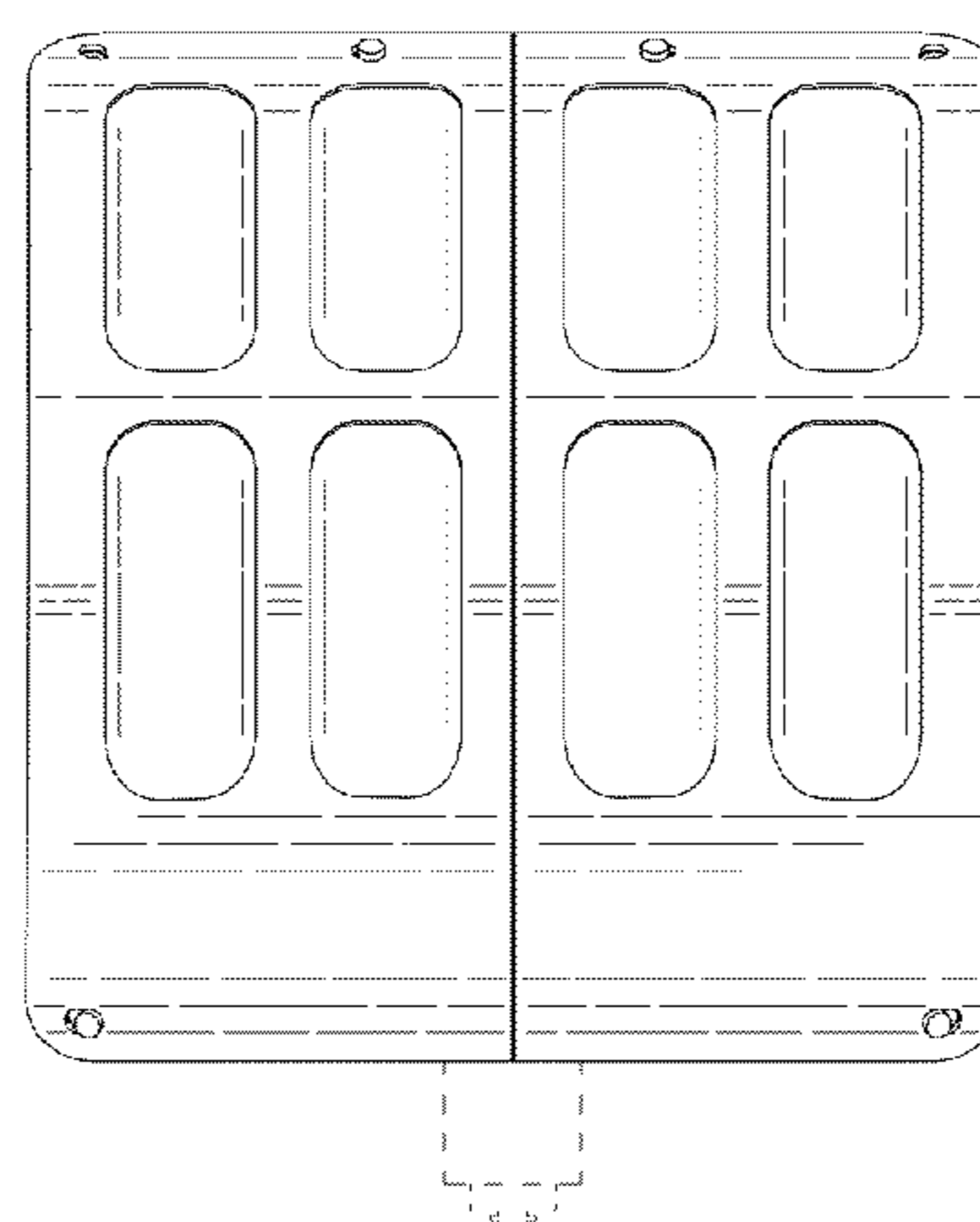
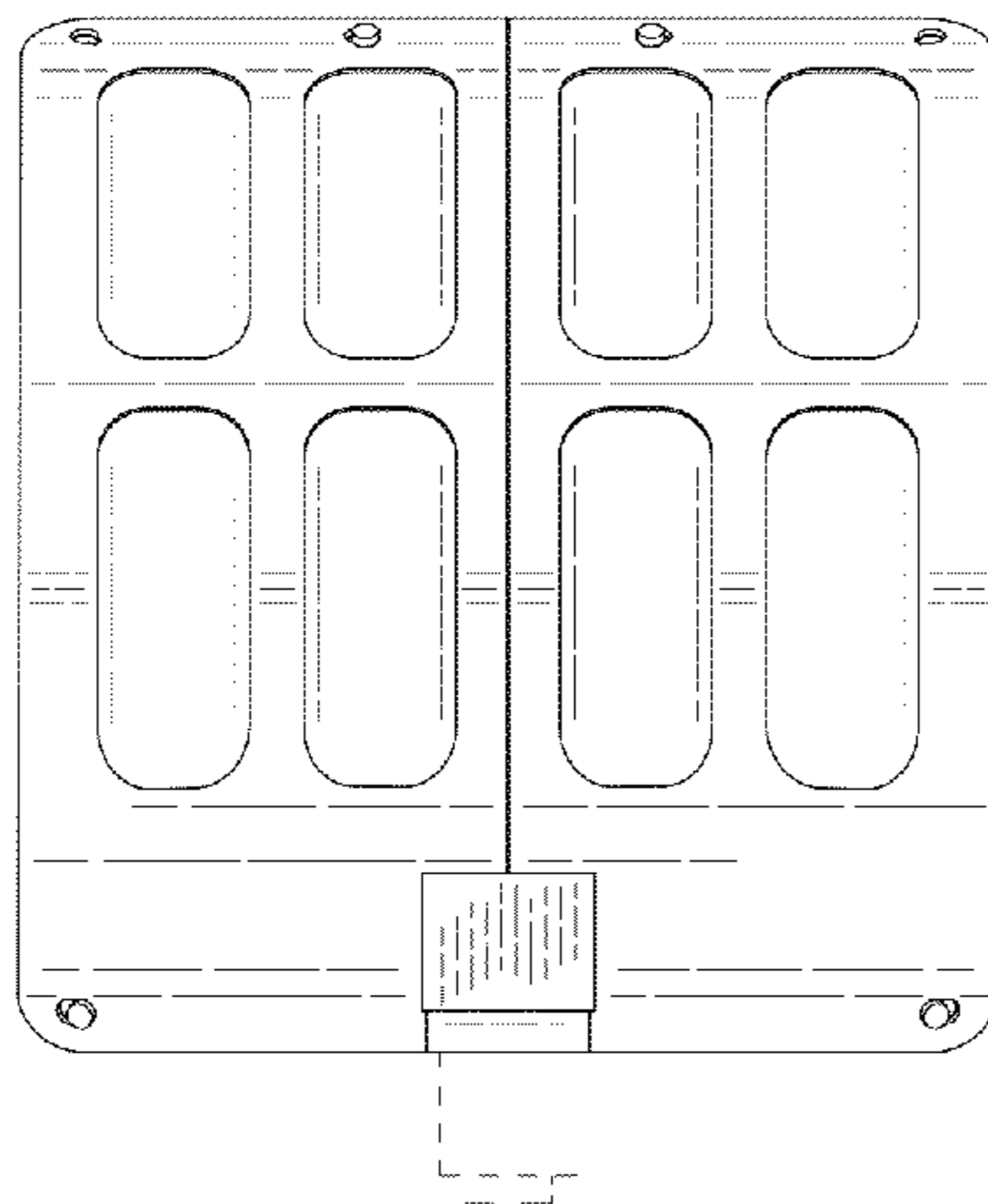
* cited by examiner

Primary Examiner — Susan Bennett Hattan

Assistant Examiner — Vy Koenig

(57) **CLAIM**

The ornamental design for a light diffuser, is shown and described.



DESCRIPTION

FIG. 1 is a view of the right side of the first embodiment of the light diffuser.

FIG. 2 is a view of the left side of the first embodiment of the light diffuser.

FIG. 3 is a view of the front side of the first embodiment of the light diffuser.

FIG. 4 is a view of the back side of the first embodiment of the light diffuser.

FIG. 5 is a view of the top side of the first embodiment of the light diffuser.

FIG. 6 is a view of the bottom side of the first embodiment of the light diffuser.

FIG. 7 is a perspective view at an angle of the top of the left side of the first embodiment of the light diffuser.

FIG. 8 is a perspective view at an angle of the front of the bottom side of the first embodiment of the light diffuser.

FIG. 9 is a view of the right side of the second embodiment of the light diffuser.

FIG. 10 is a view of the left side of the second embodiment of the light diffuser.

FIG. 11 is a view of the front side of the second embodiment of the light diffuser.

FIG. 12 is a view of the back side of the second embodiment of the light diffuser.

FIG. 13 is a view of the top side of the second embodiment of the light diffuser.

FIG. 14 is a view of the bottom side of the second embodiment of the light diffuser.

FIG. 15 is a perspective view at an angle of the top of the left side of the second embodiment of the light diffuser.

FIG. 16 is a perspective view at an angle of the front of the bottom side of the second embodiment of the light diffuser.

FIG. 17 is a view of the right side of the third embodiment of the light diffuser.

FIG. 18 is a view of the left side of the third embodiment of the light diffuser.

FIG. 19 is a view of the front side of the third embodiment of the light diffuser.

FIG. 20 is a view of the back side of the third embodiment of the light diffuser.

FIG. 21 is a view of the top side of the third embodiment of the light diffuser.

FIG. 22 is a view of the bottom side of the third embodiment of the light diffuser.

FIG. 23 is a perspective view at an angle of the top of the left side of the third embodiment of the light diffuser.

FIG. 24 is a perspective view at an angle of the front of the bottom side of the third embodiment of the light diffuser.

FIG. 25 is a view of the right side of the fifth embodiment of the light diffuser.

FIG. 26 is a view of the left side of the fifth embodiment of the light diffuser.

FIG. 27 is a view of the front side of the fifth embodiment of the light diffuser.

FIG. 28 is a view of the back side of the fifth embodiment of the light diffuser.

FIG. 29 is a view of the top side of the fifth embodiment of the light diffuser.

FIG. 30 is a view of the bottom side of the fifth embodiment of the light diffuser.

FIG. 31 is a perspective view at an angle at an angle of the top of the left side of the fifth embodiment of the light diffuser.

FIG. 32 is a perspective view at an angle of the front of the bottom side of the fifth embodiment of the light diffuser.

FIG. 33 is a view of the right side of the eighth embodiment of the light diffuser.

FIG. 34 is a view of the left side of the eighth embodiment of the light diffuser.

FIG. 35 is a view of the front side of the eighth embodiment of the light diffuser.

FIG. 36 is a view of the back side of the eighth embodiment of the light diffuser.

FIG. 37 is a view of the top side of the eighth embodiment of the light diffuser.

FIG. 38 is a view of the bottom side of the eighth embodiment of the light diffuser.

FIG. 39 is a perspective view at an angle of the top of the left side of the eighth embodiment of the light diffuser.

FIG. 40 is a perspective view at an angle of the front of the bottom side of the eighth embodiment of the light diffuser.

FIG. 41 is a view of the right side of the fifteenth embodiment of the light diffuser.

FIG. 42 is a view of the left side of the fifteenth embodiment of the light diffuser.

FIG. 43 is a view of the front side of the fifteenth embodiment of the light diffuser.

FIG. 44 is a view of the back side of the fifteenth embodiment of the light diffuser.

FIG. 45 is a view of the top side of the fifteenth embodiment of the light diffuser.

FIG. 46 is a view of the bottom side of the fifteenth embodiment of the light diffuser.

FIG. 47 is a perspective view at an angle at an angle of the top of the left side of the fifteenth embodiment of the light diffuser.

FIG. 48 is a perspective view at an angle of the front of the bottom side of the fifteenth embodiment of the light diffuser.

FIG. 49 is a view of the right side of the twenty first embodiment of the light diffuser.

FIG. 50 is a view of the left side of the twenty first embodiment of the light diffuser.

FIG. 51 is a view of the front side of the twenty first embodiment of the light diffuser.

FIG. 52 is a view of the back side of the twenty first embodiment of the light diffuser.

FIG. 53 is a view of the top side of the twenty first embodiment of the light diffuser.

FIG. 54 is a view of the bottom side of the twenty first embodiment of the light diffuser.

FIG. 55 is a perspective view at an angle of the top of the left side of the twenty first embodiment of the light diffuser; and,

FIG. 56 is a perspective view at an angle of the front of the bottom side of the twenty first embodiment of the light diffuser.

The portions of the light diffuser drawn in phantom (using dashed lines) are not part of the design being claimed, and only indicate the environment of the claimed design of the light diffuser.

A light diffuser is a reflector that attaches to a photographic light source via a connector, and changes the diffused effect of the light originated from the source (including the strobe flash or the LED light or the fluorescent lamp); it can also be used to change the diffused effect on camcorder light, illuminating light and stage light.

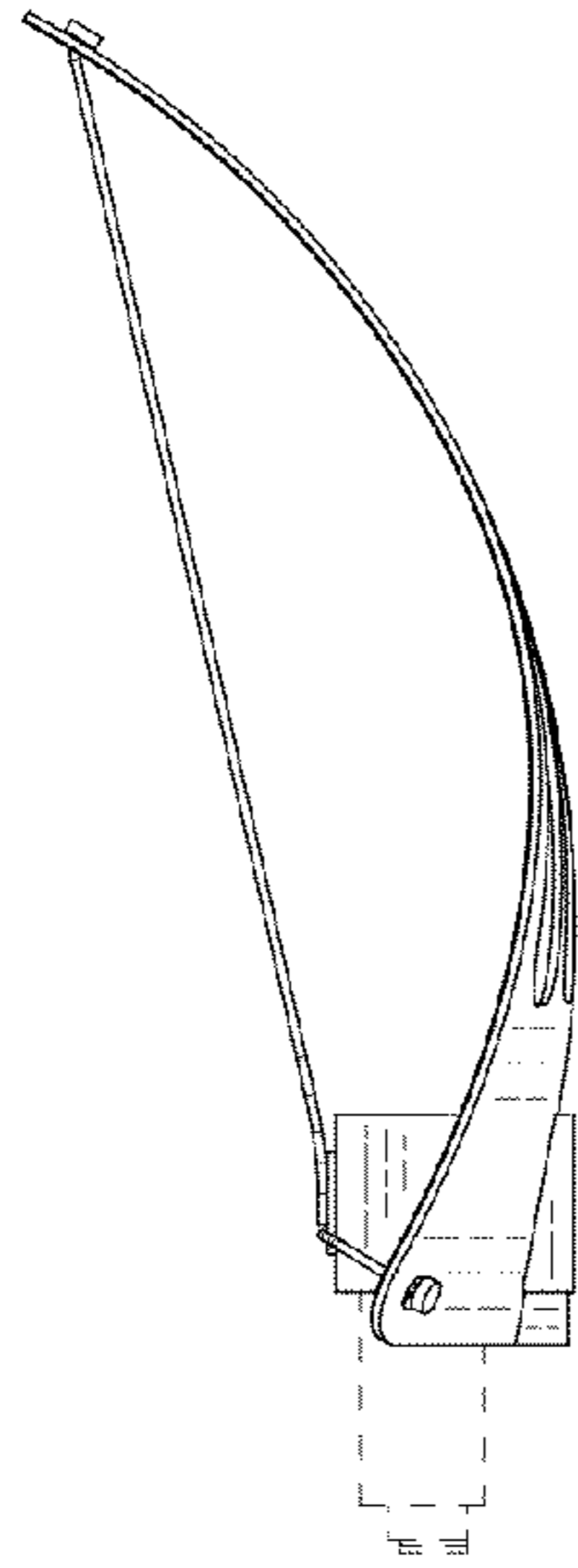


FIG. 1

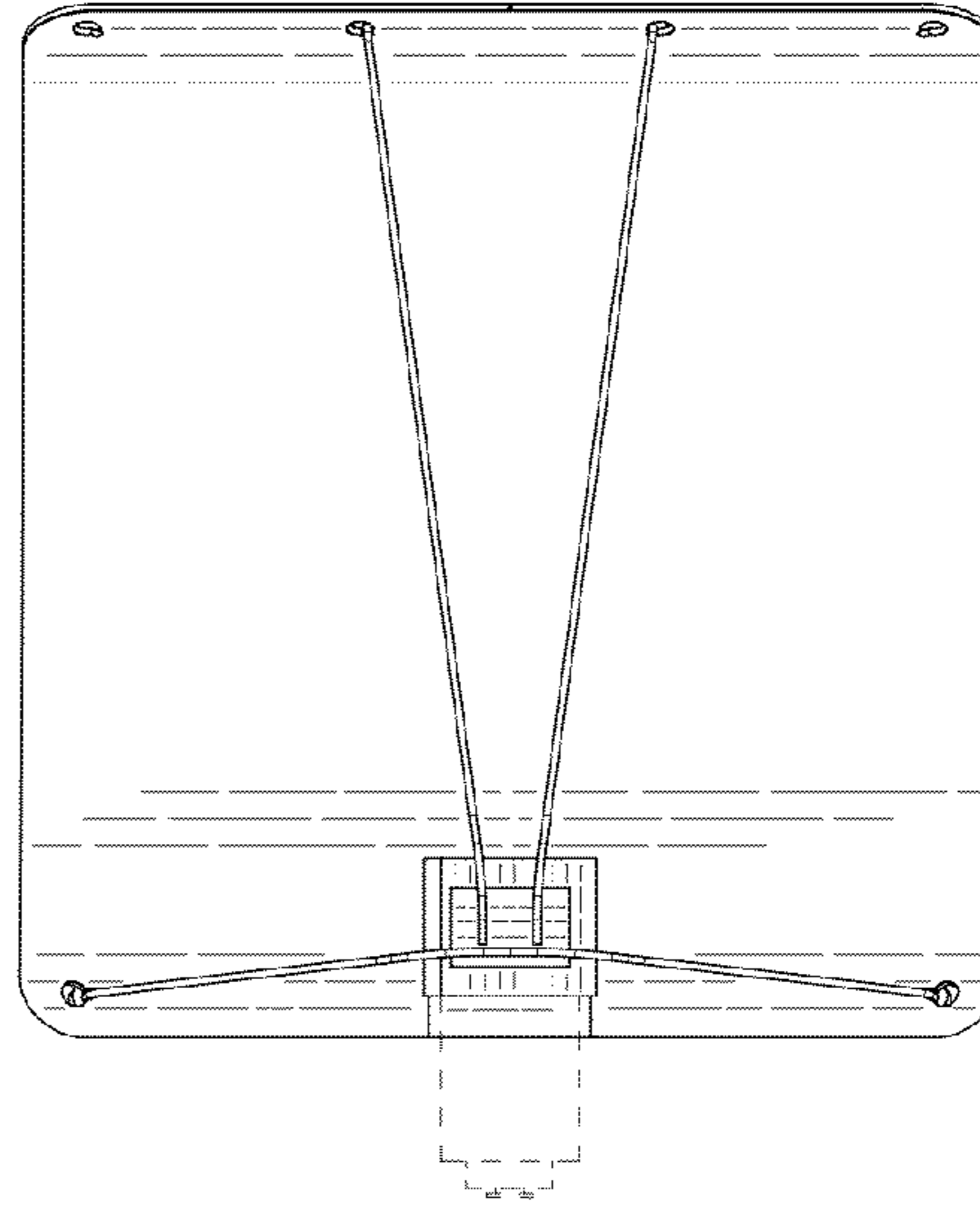


FIG. 3

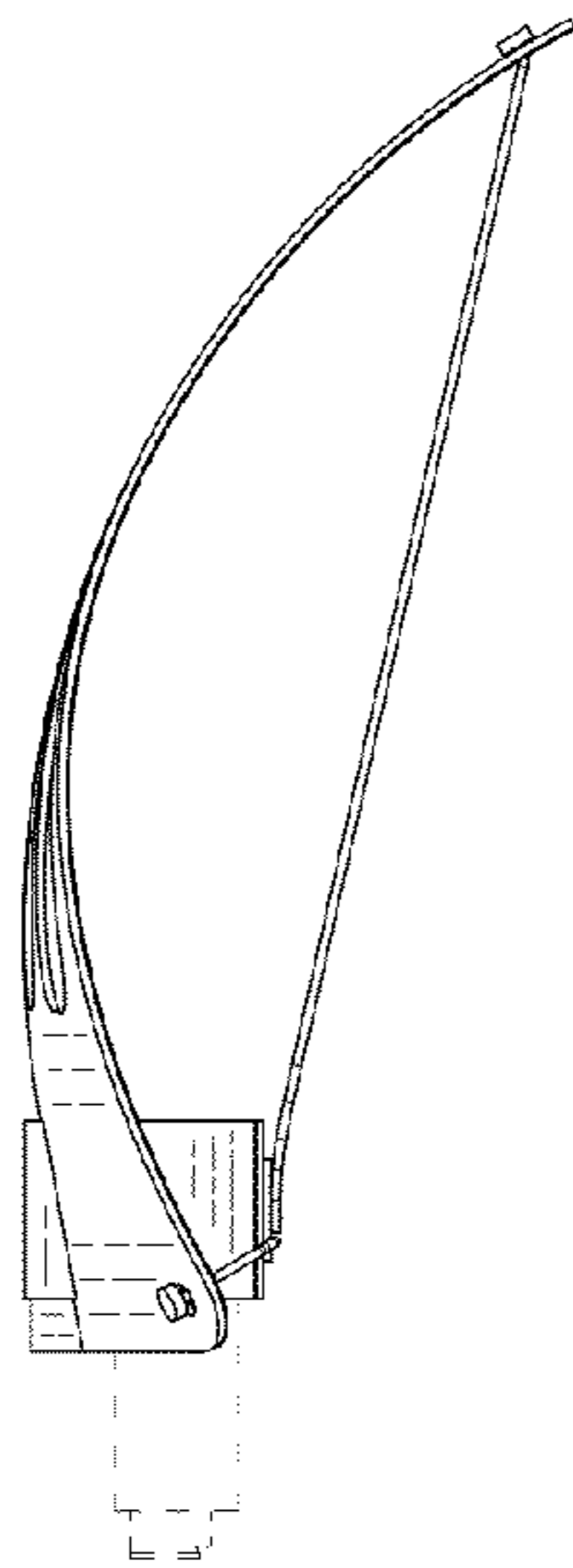


FIG. 2

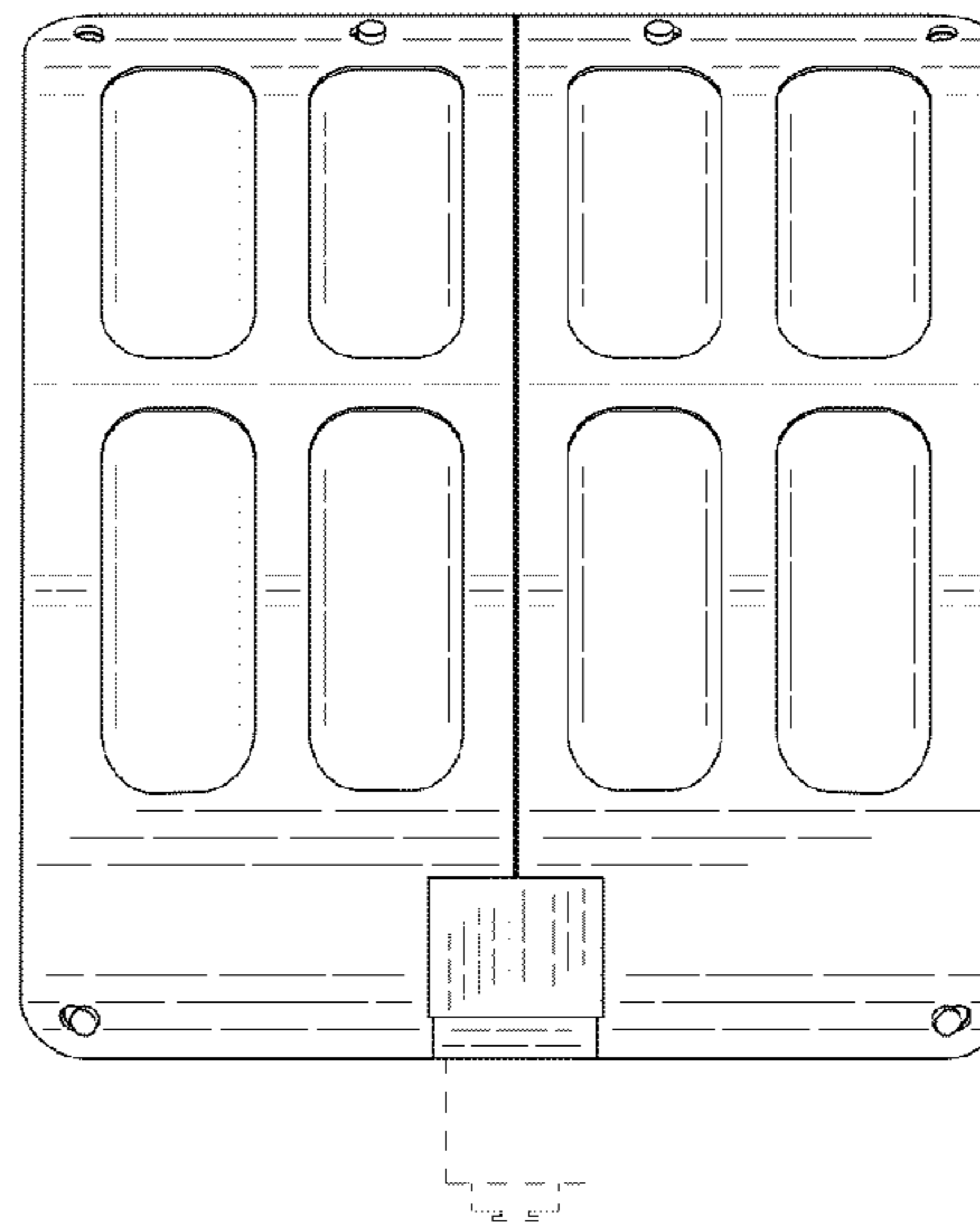


FIG. 4

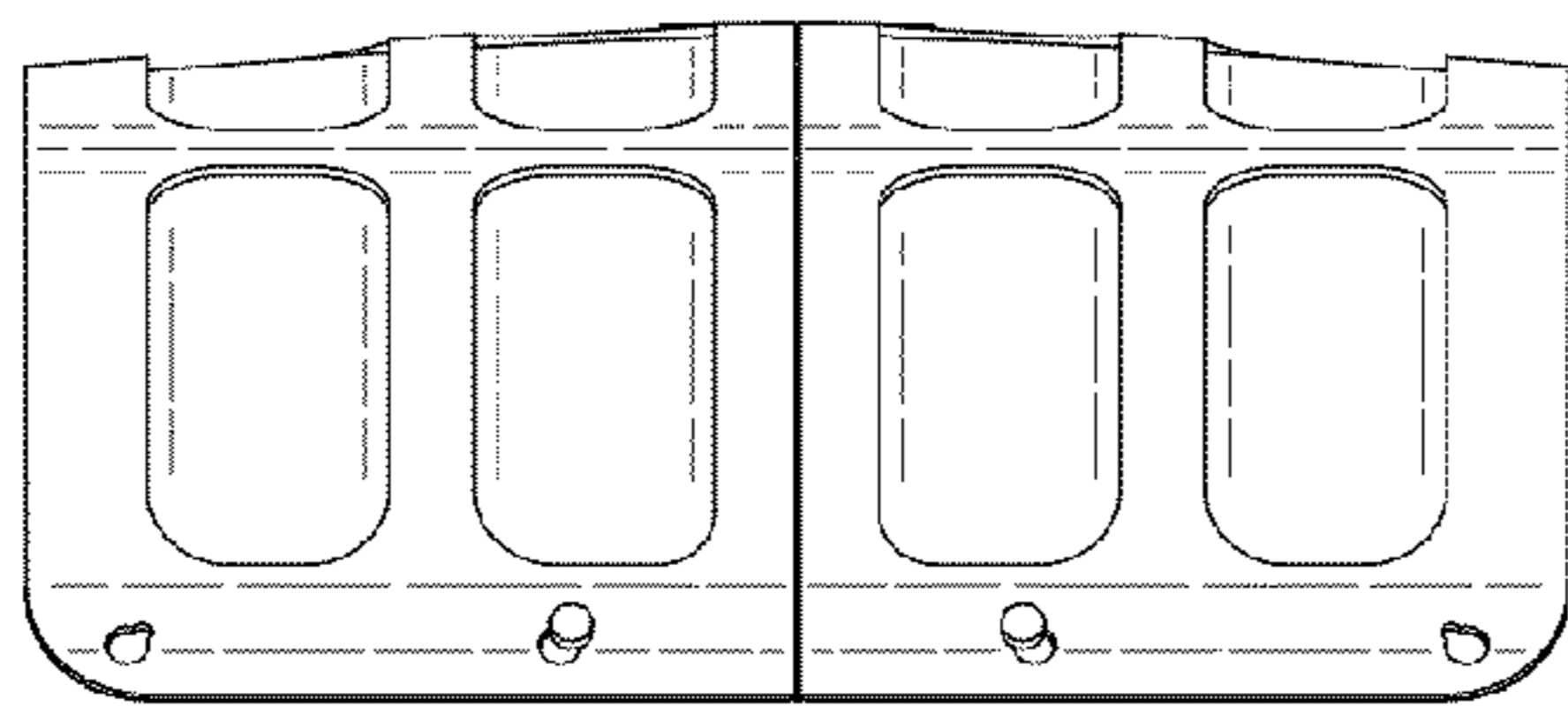


FIG. 5

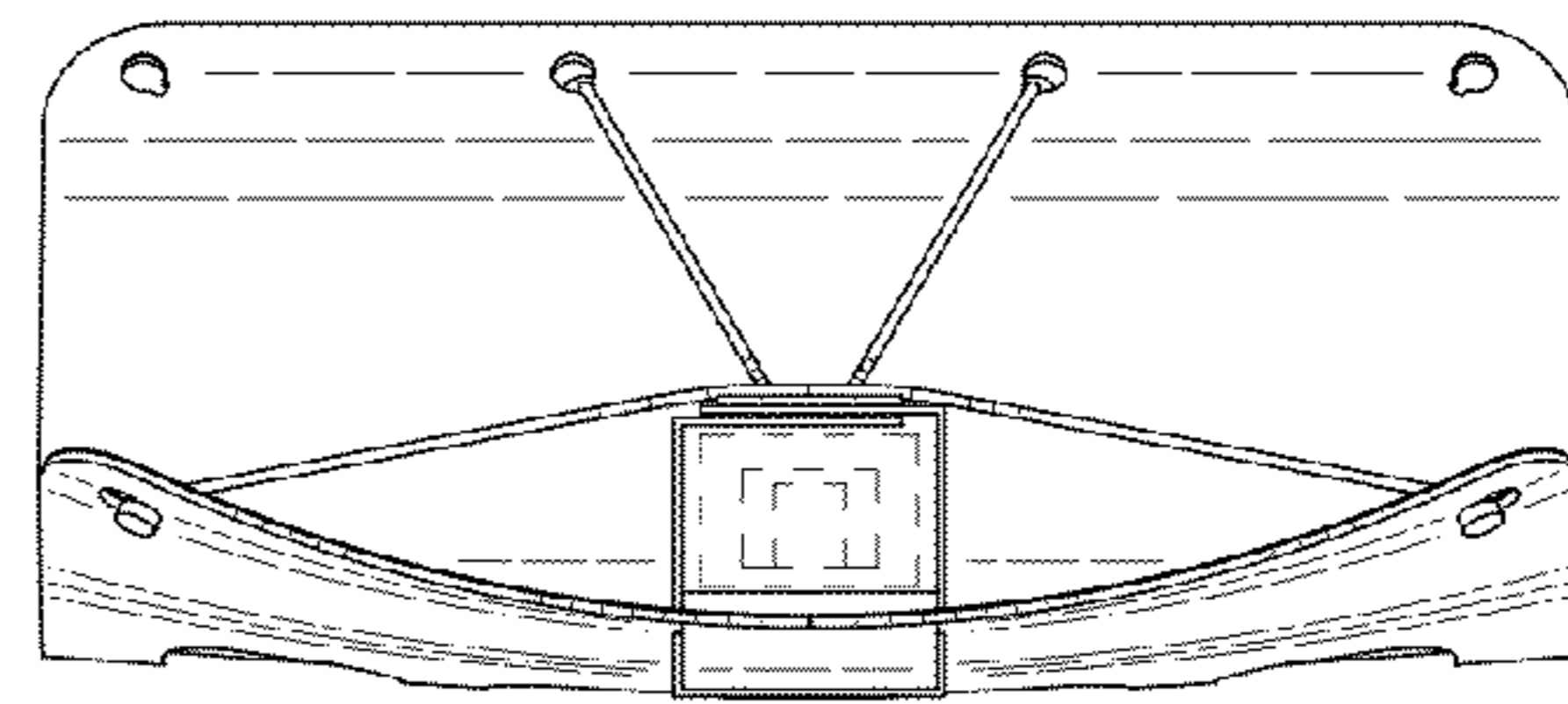


FIG. 6

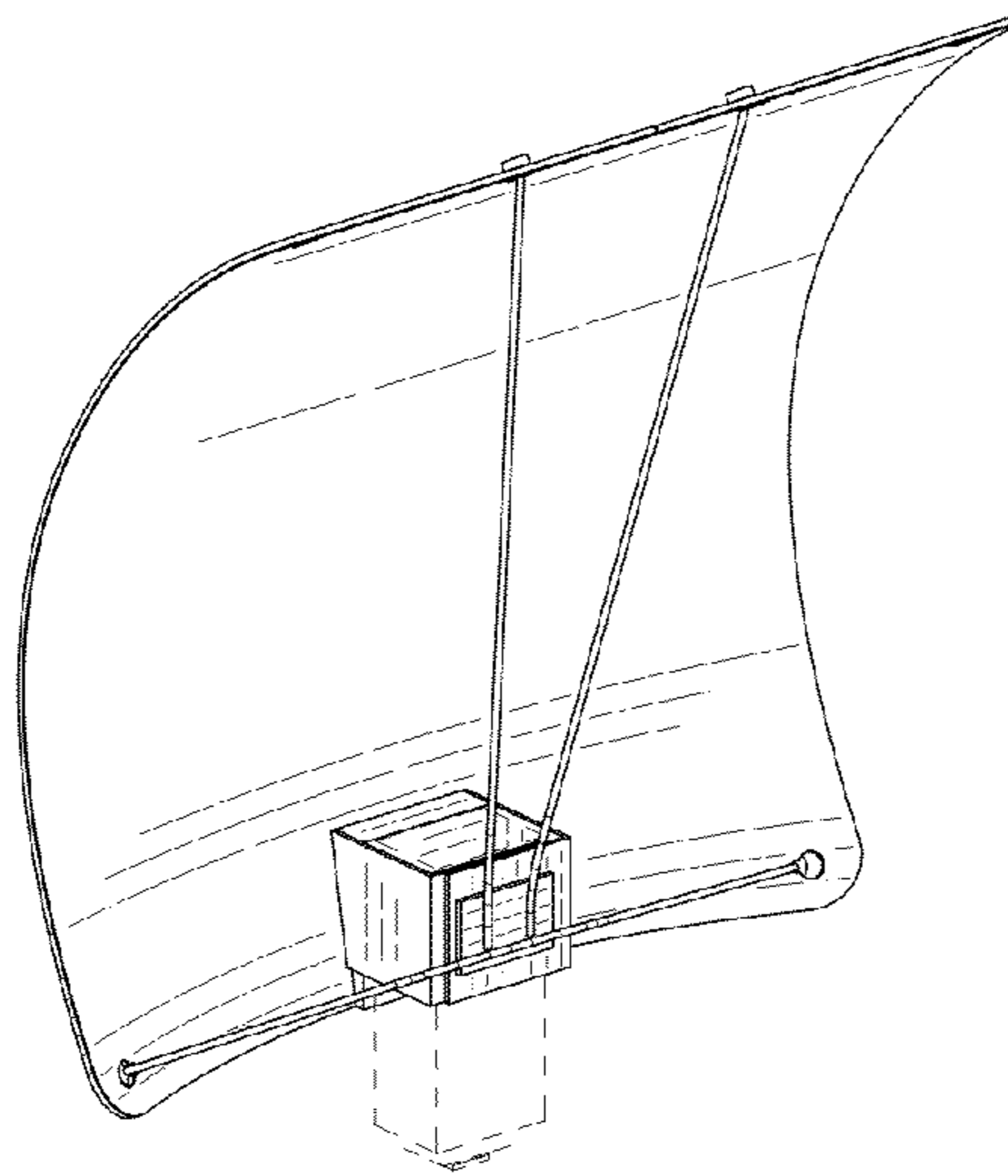


FIG. 7

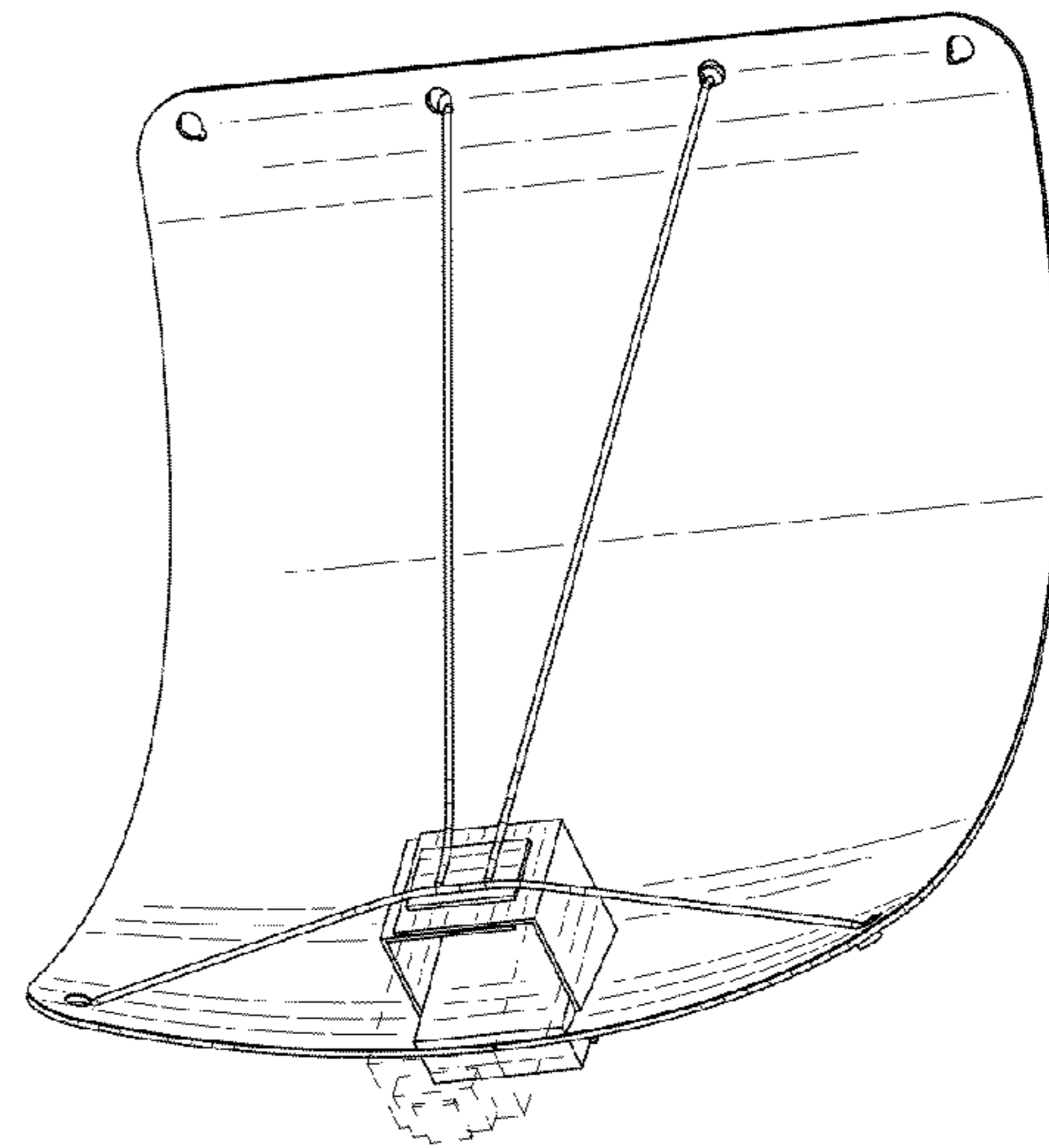


FIG. 8

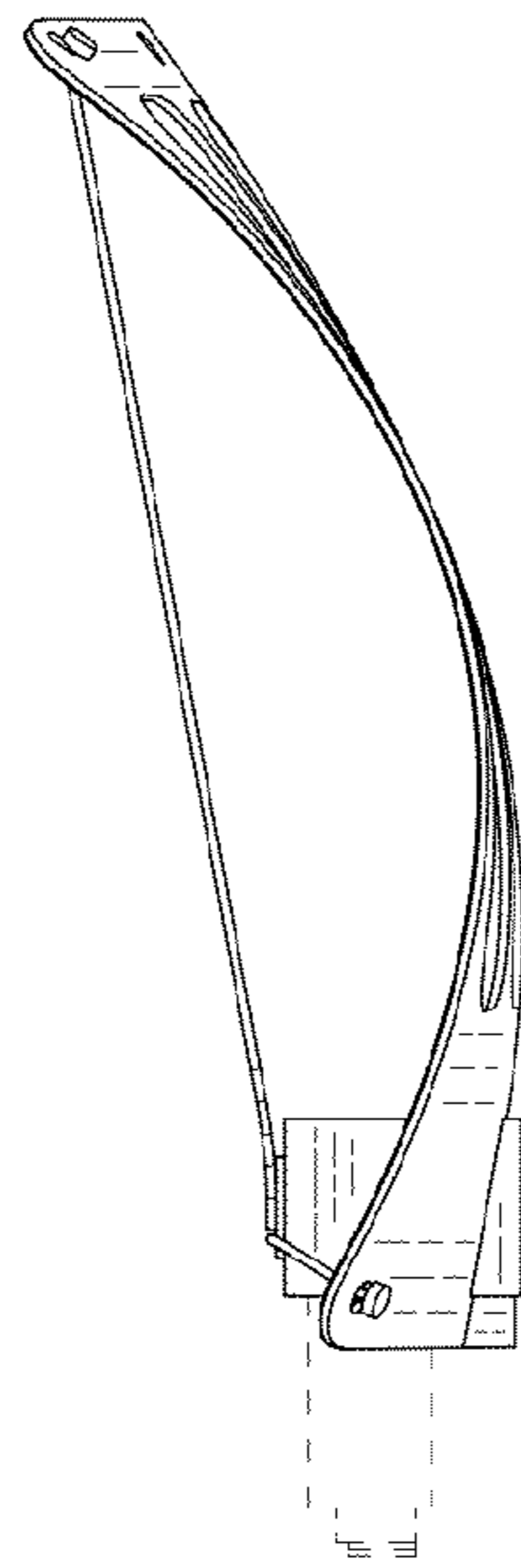


FIG. 9

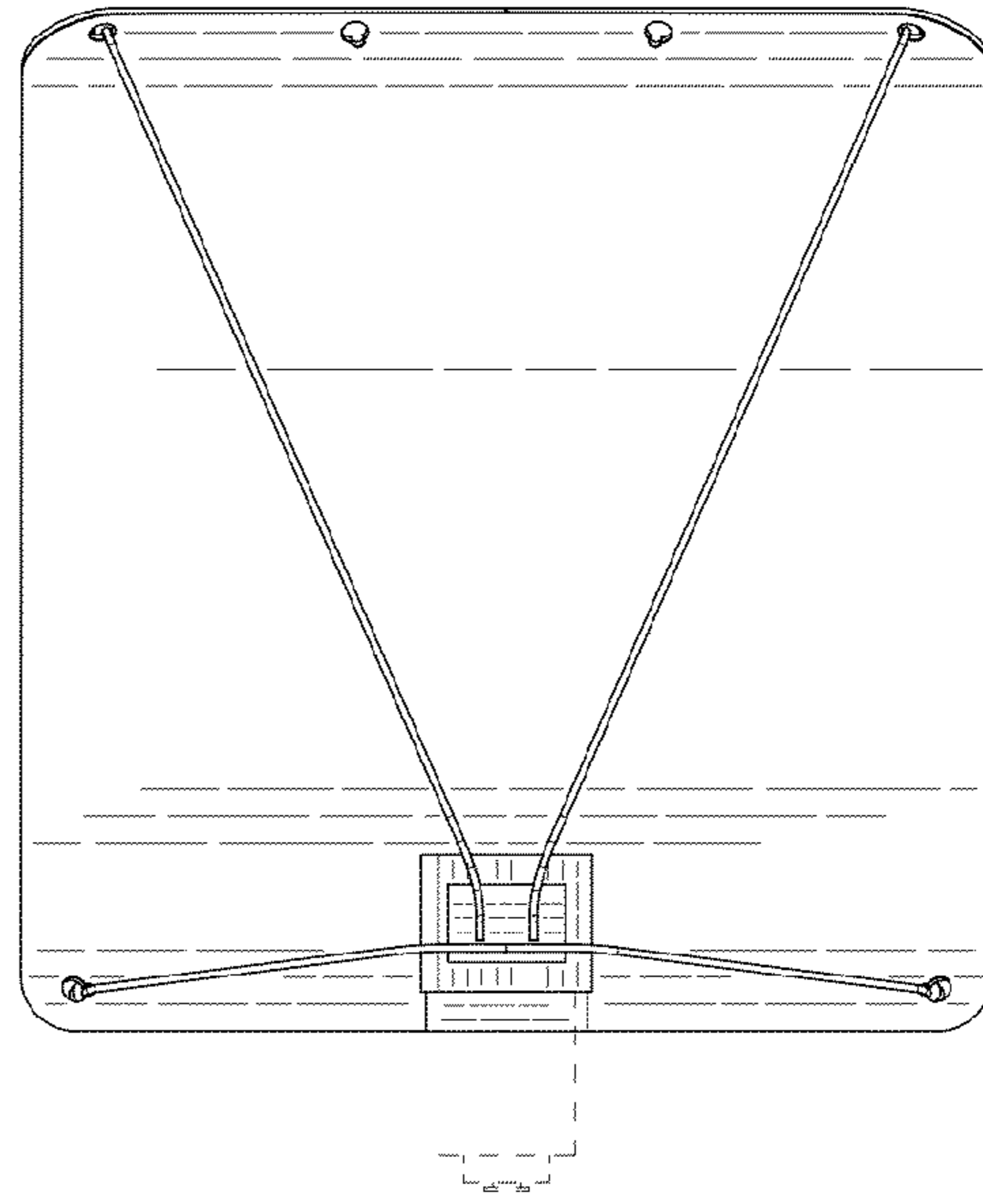


FIG. 11

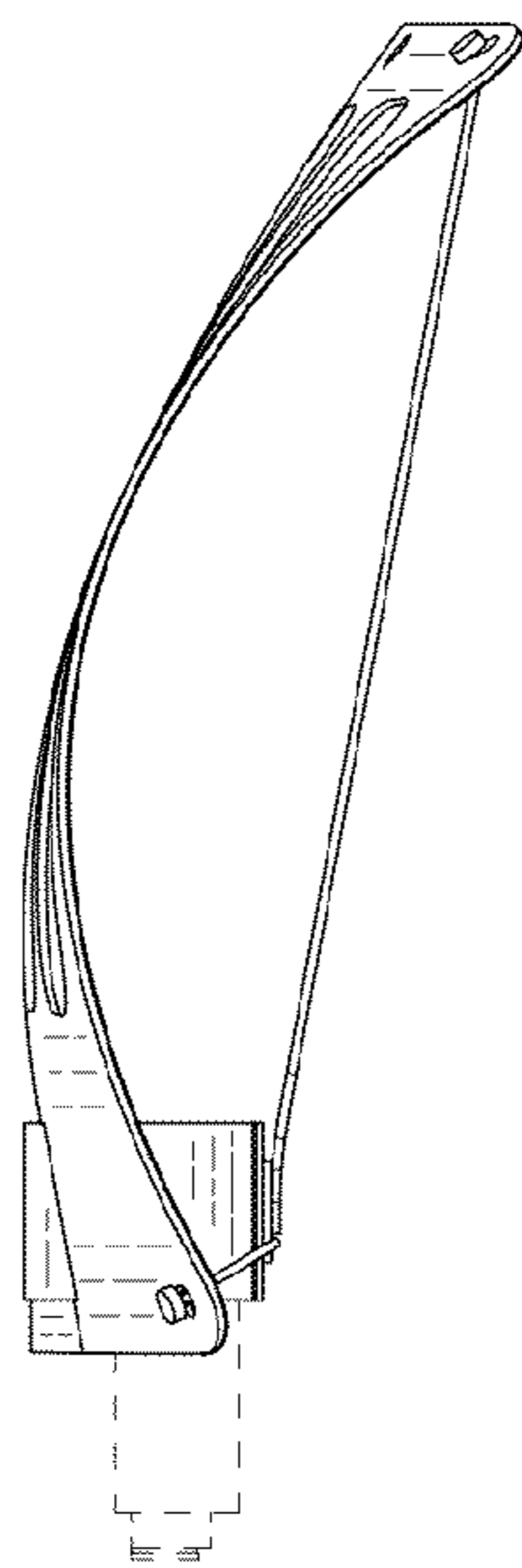


FIG. 10

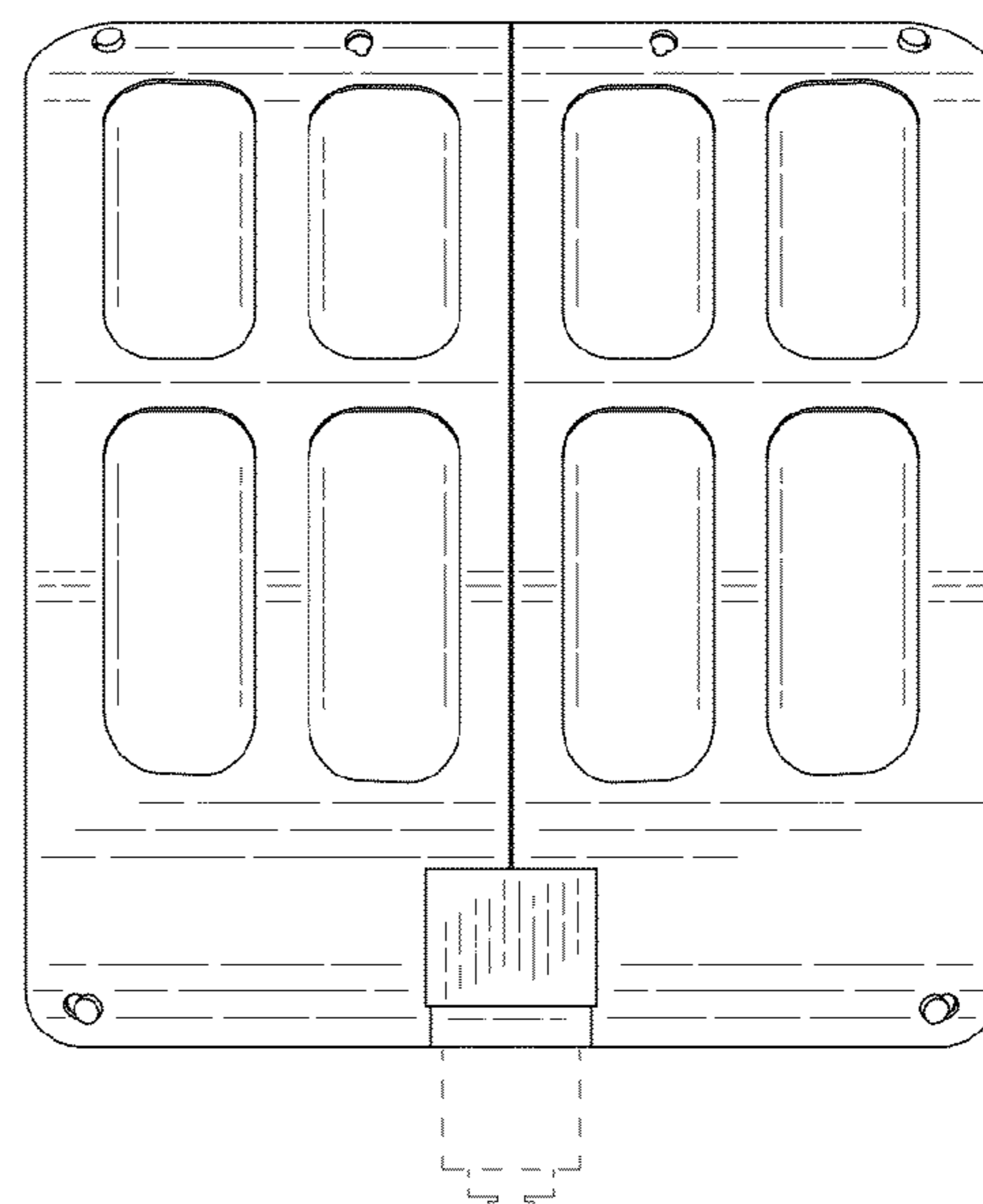


FIG. 12

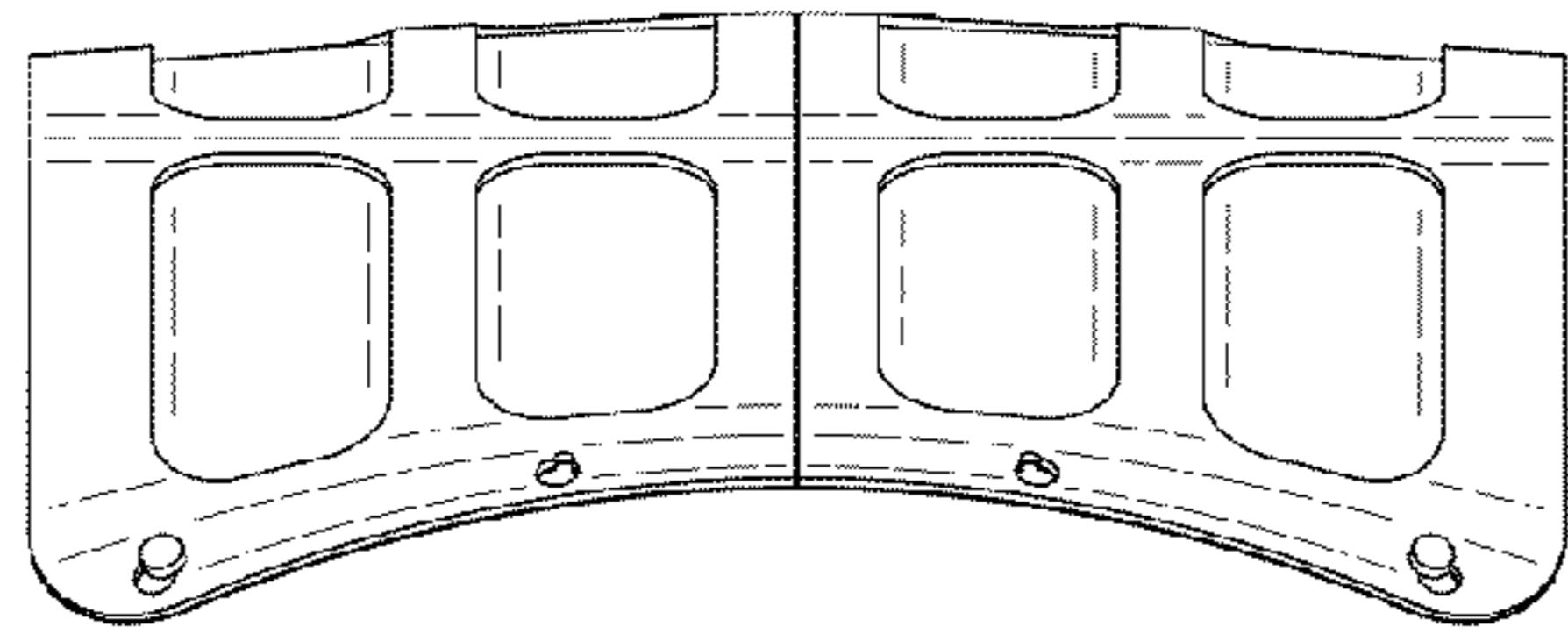


FIG. 13

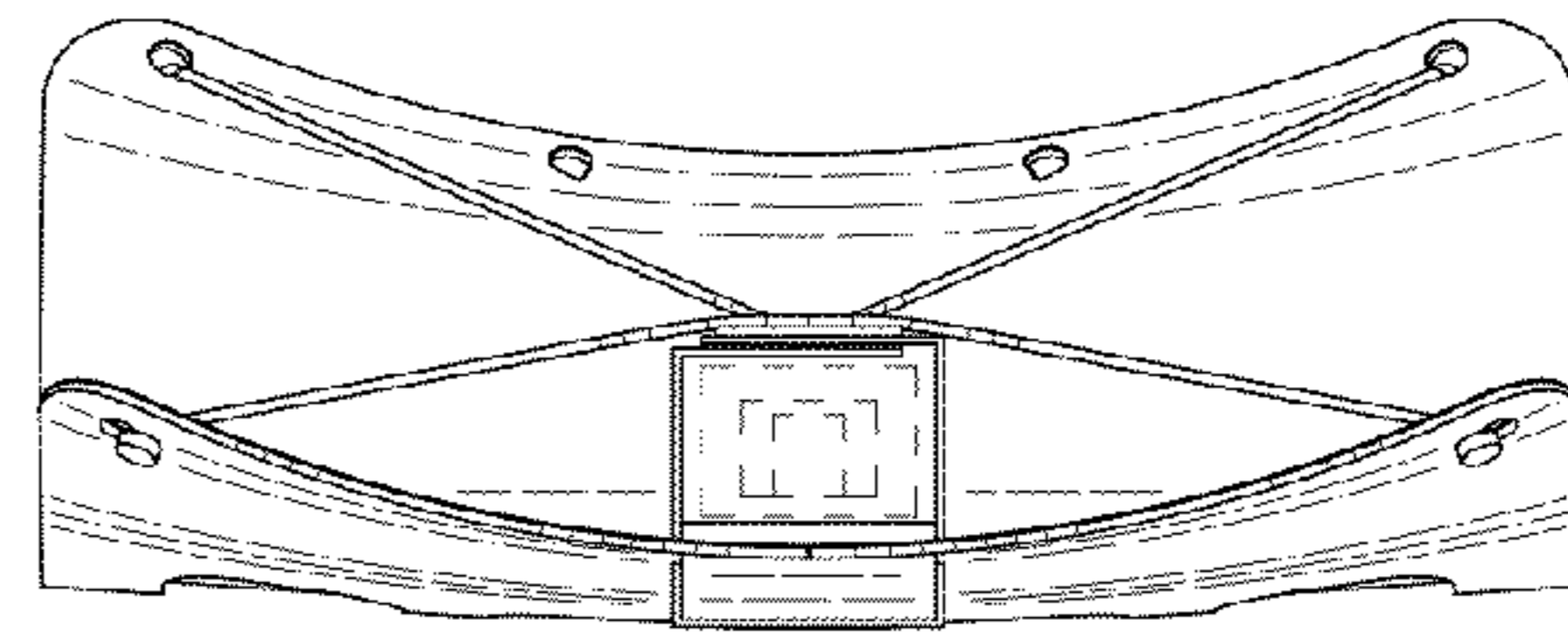


FIG. 14

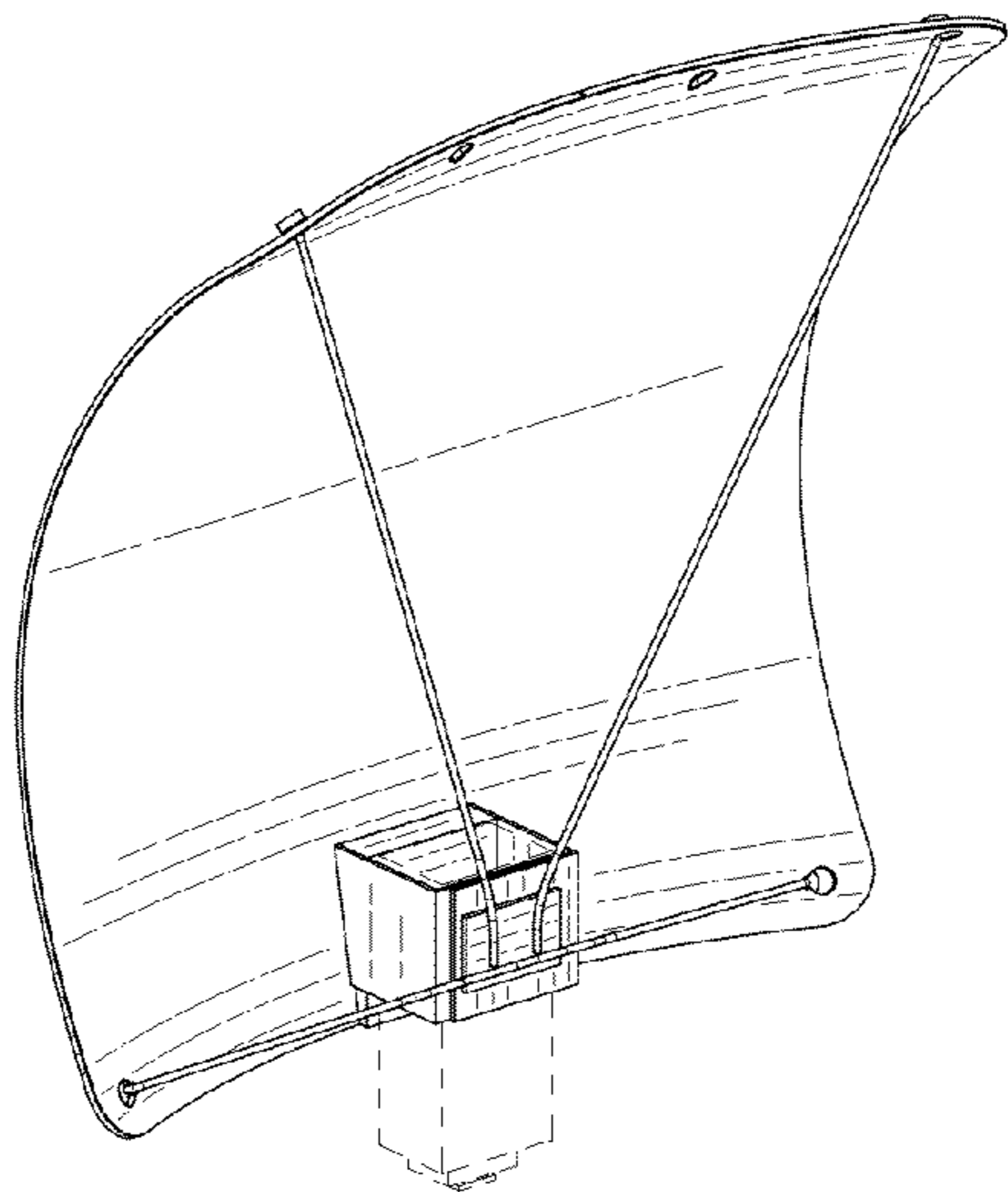


FIG. 15

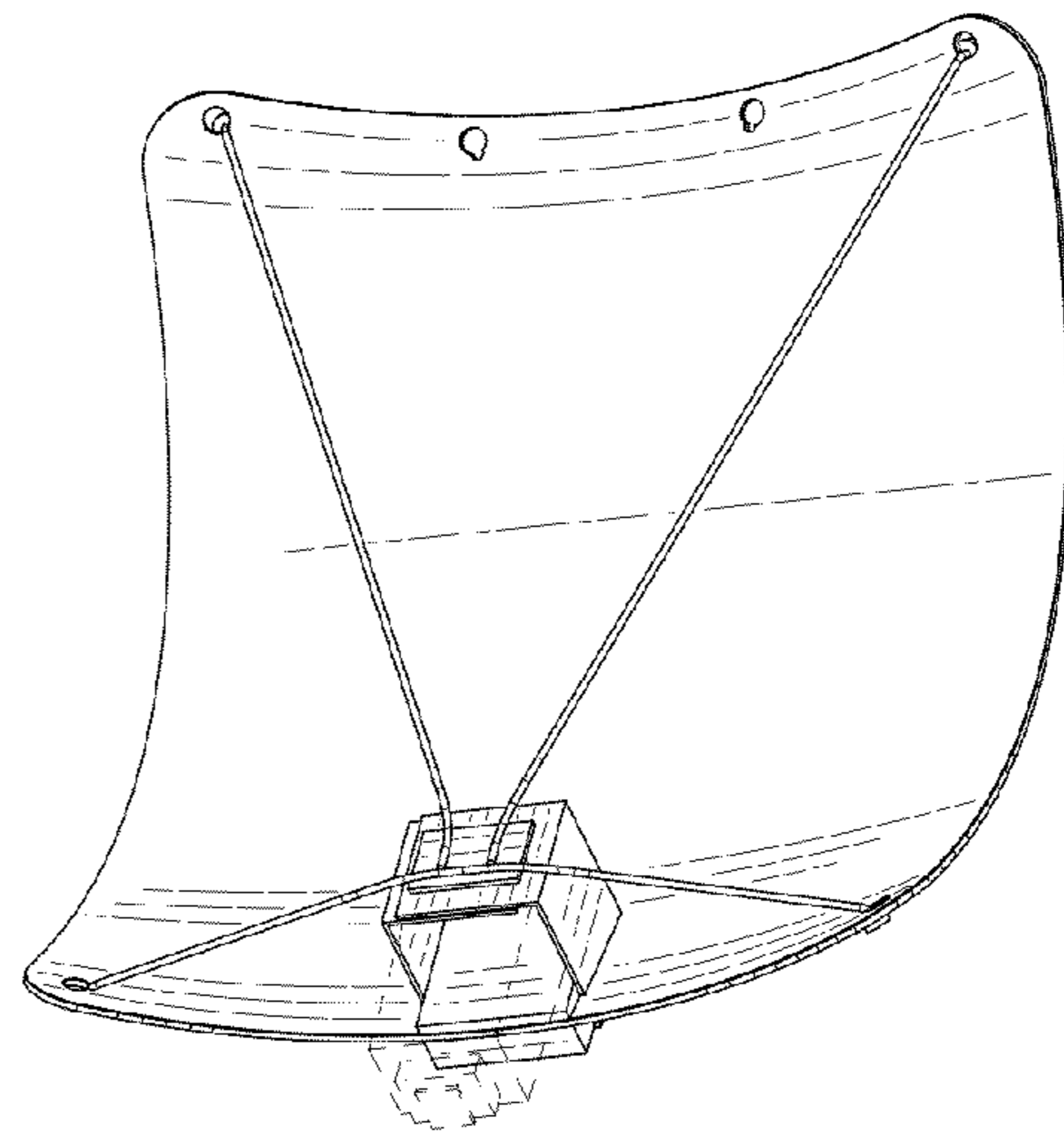


FIG. 16



FIG. 17

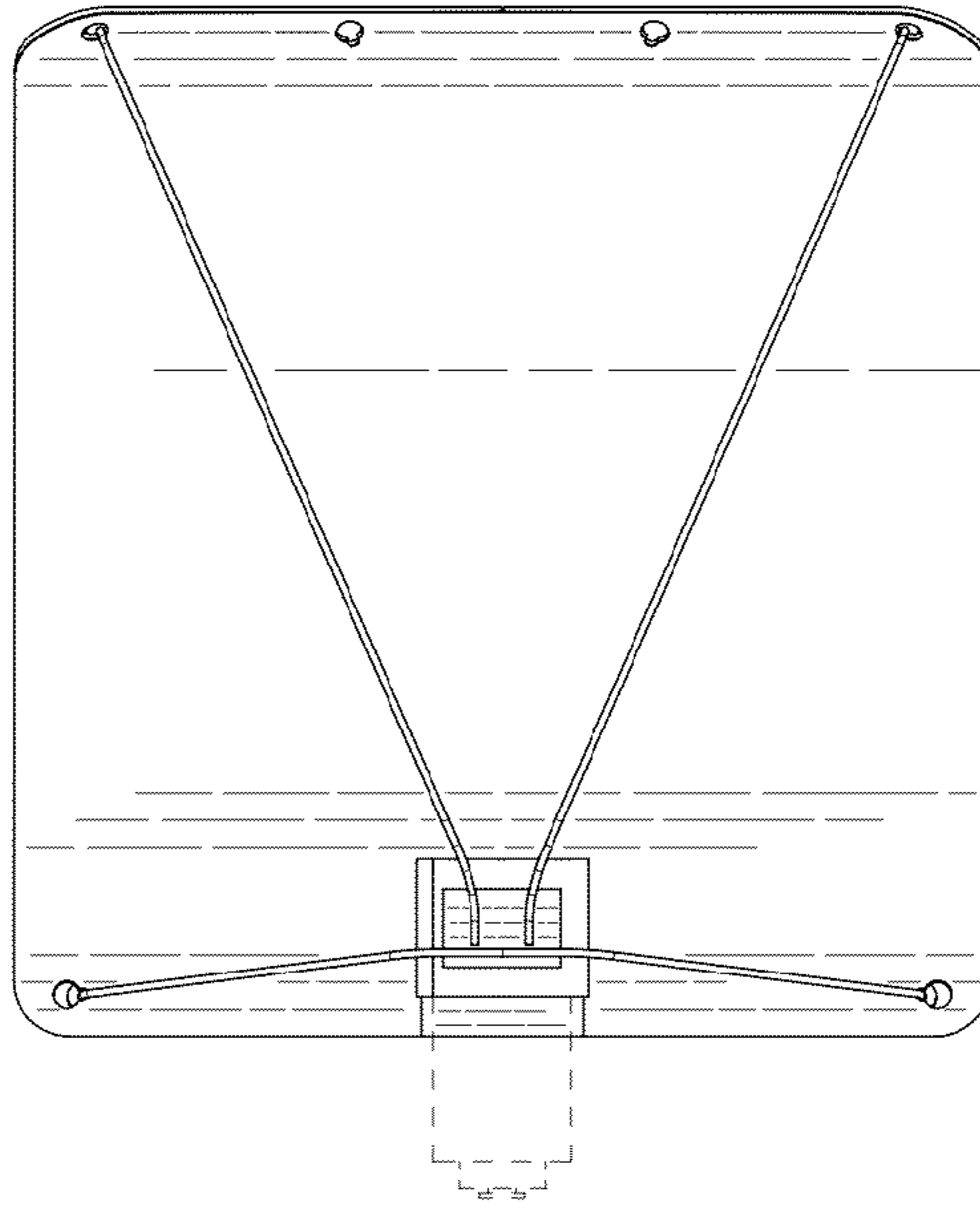


FIG. 19

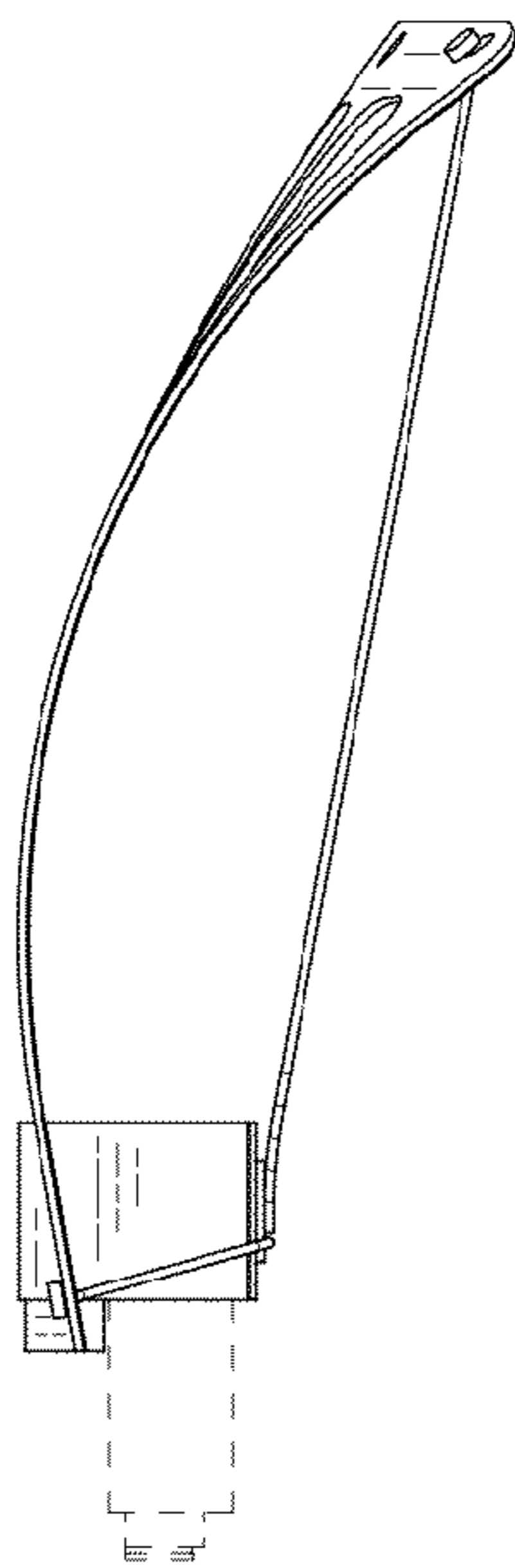


FIG. 18

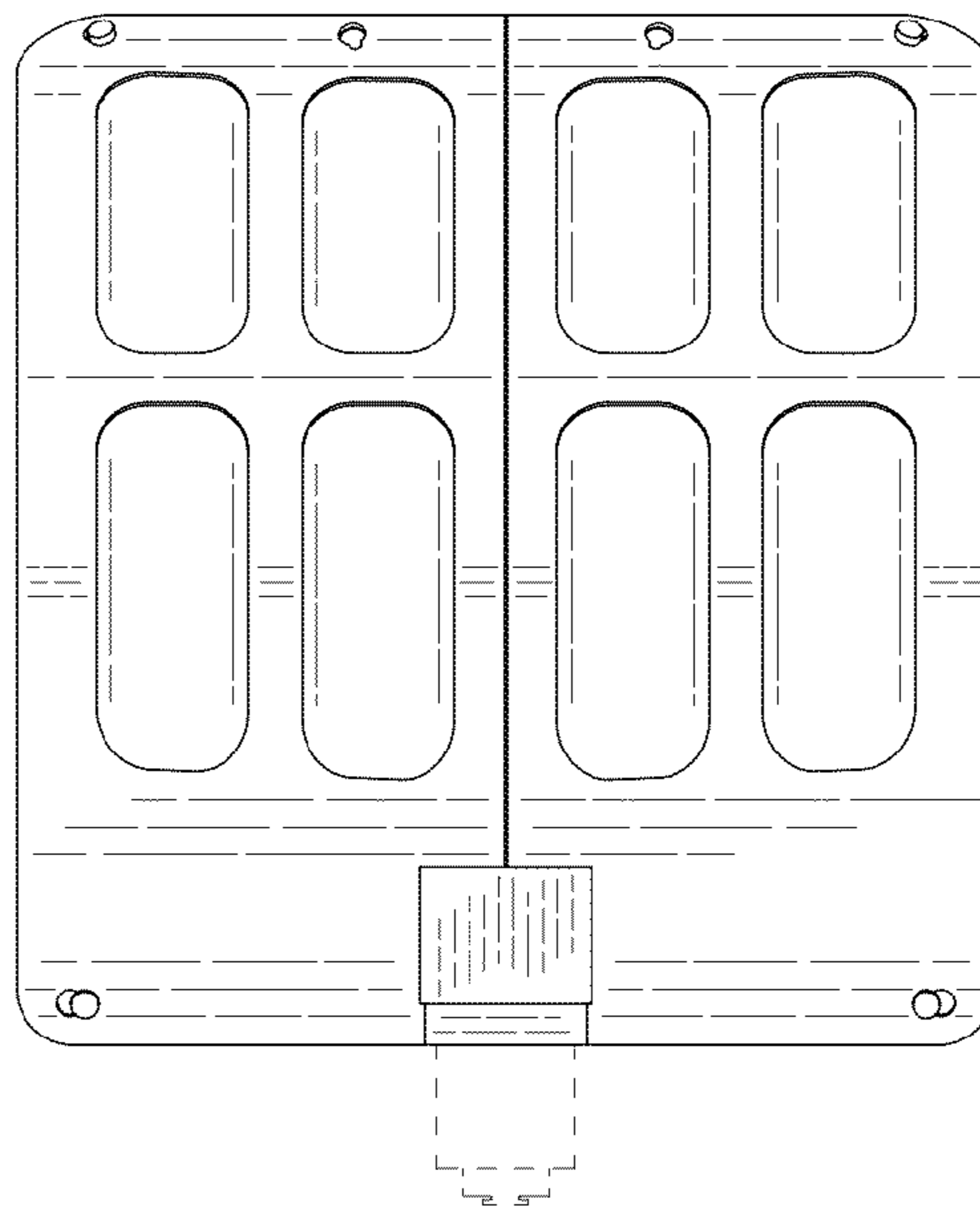


FIG. 20

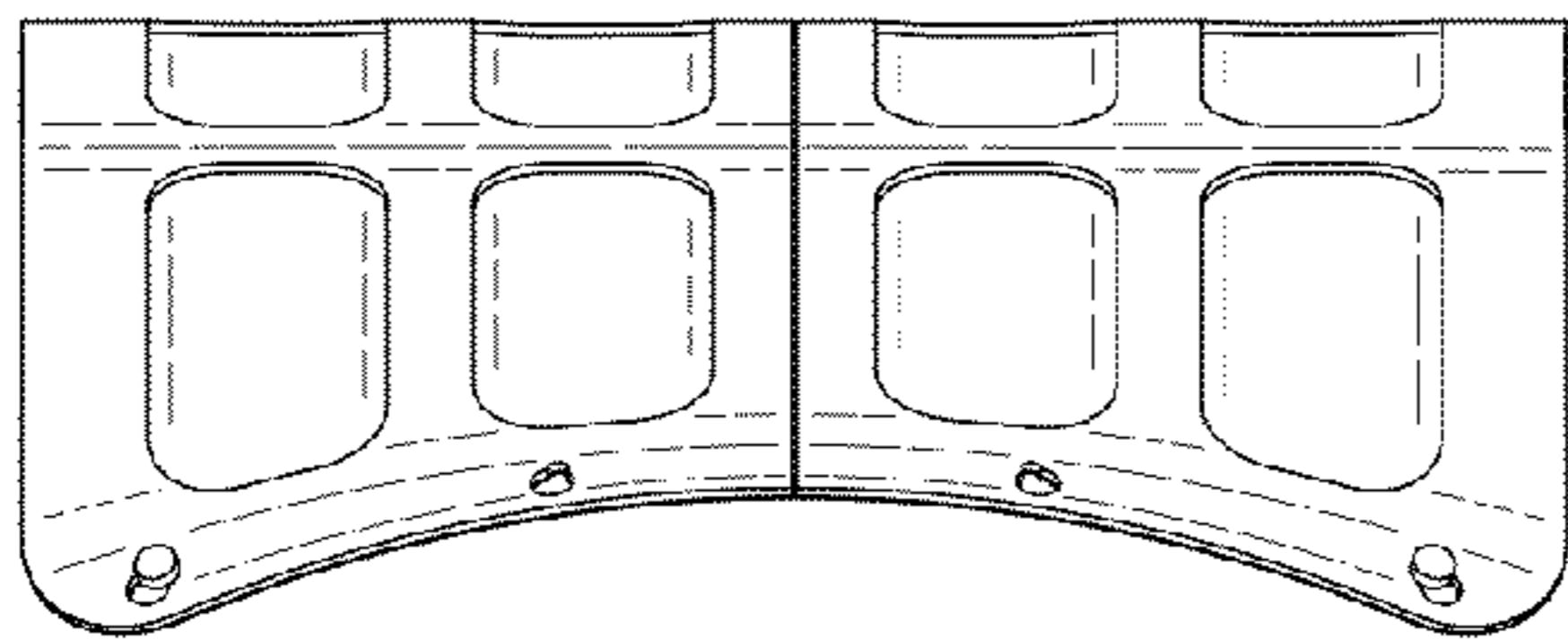


FIG. 21

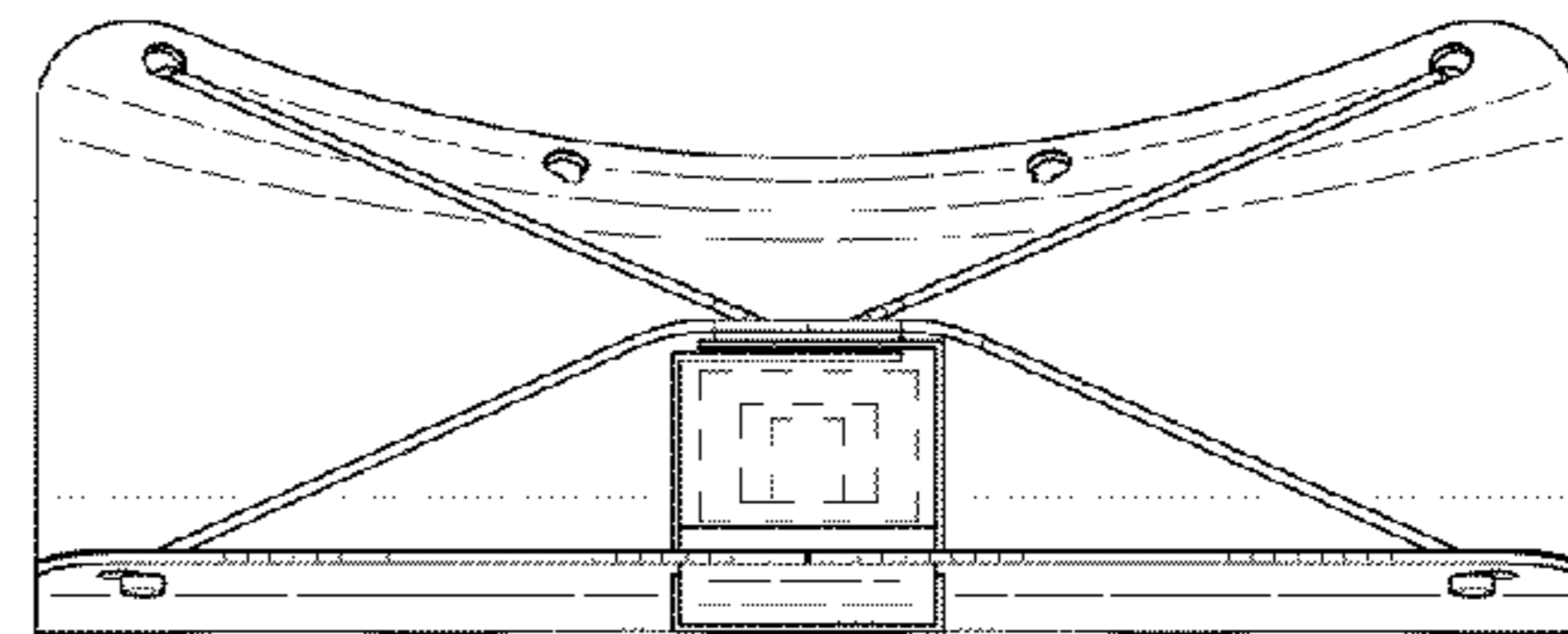


FIG. 22

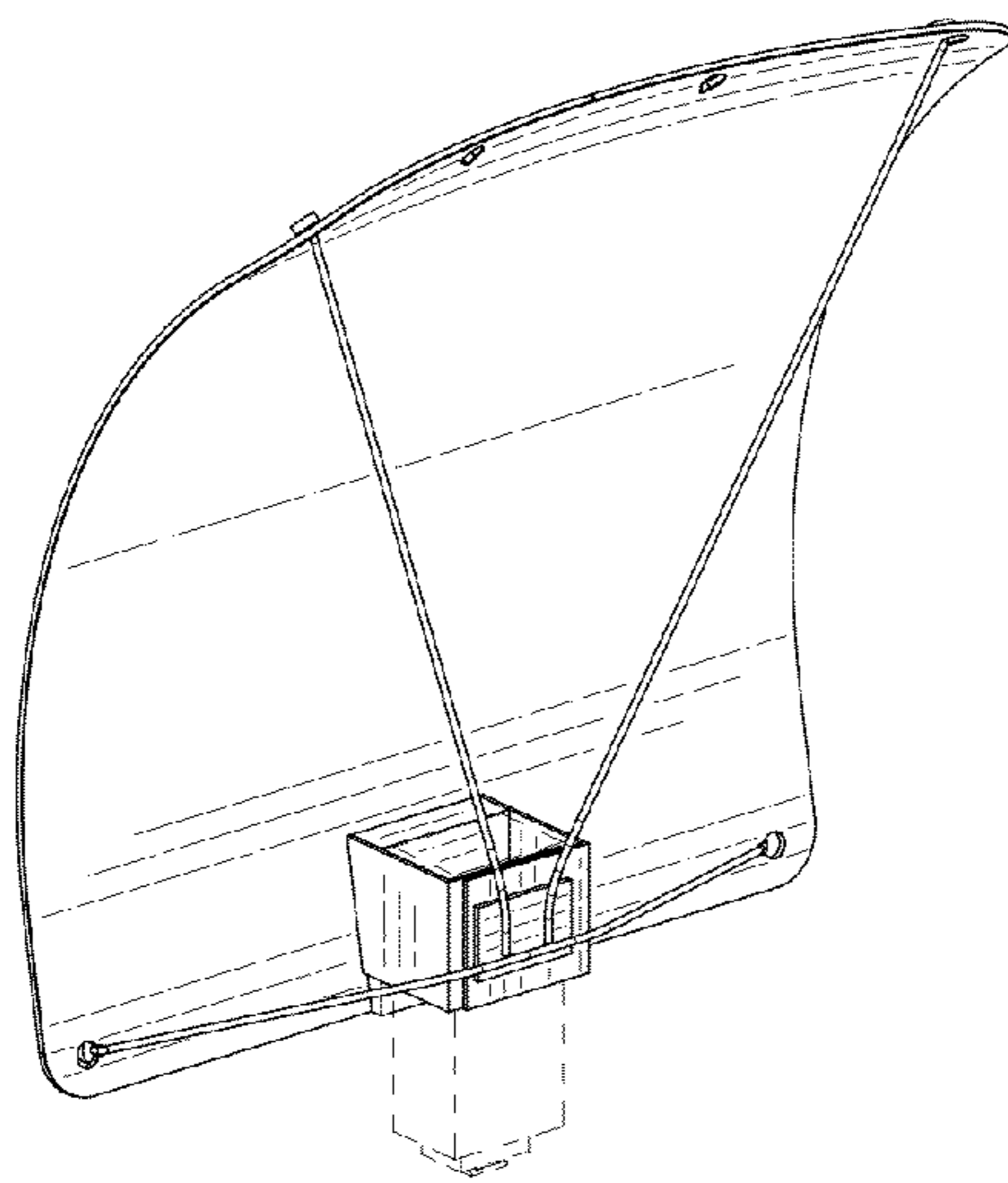


FIG. 23

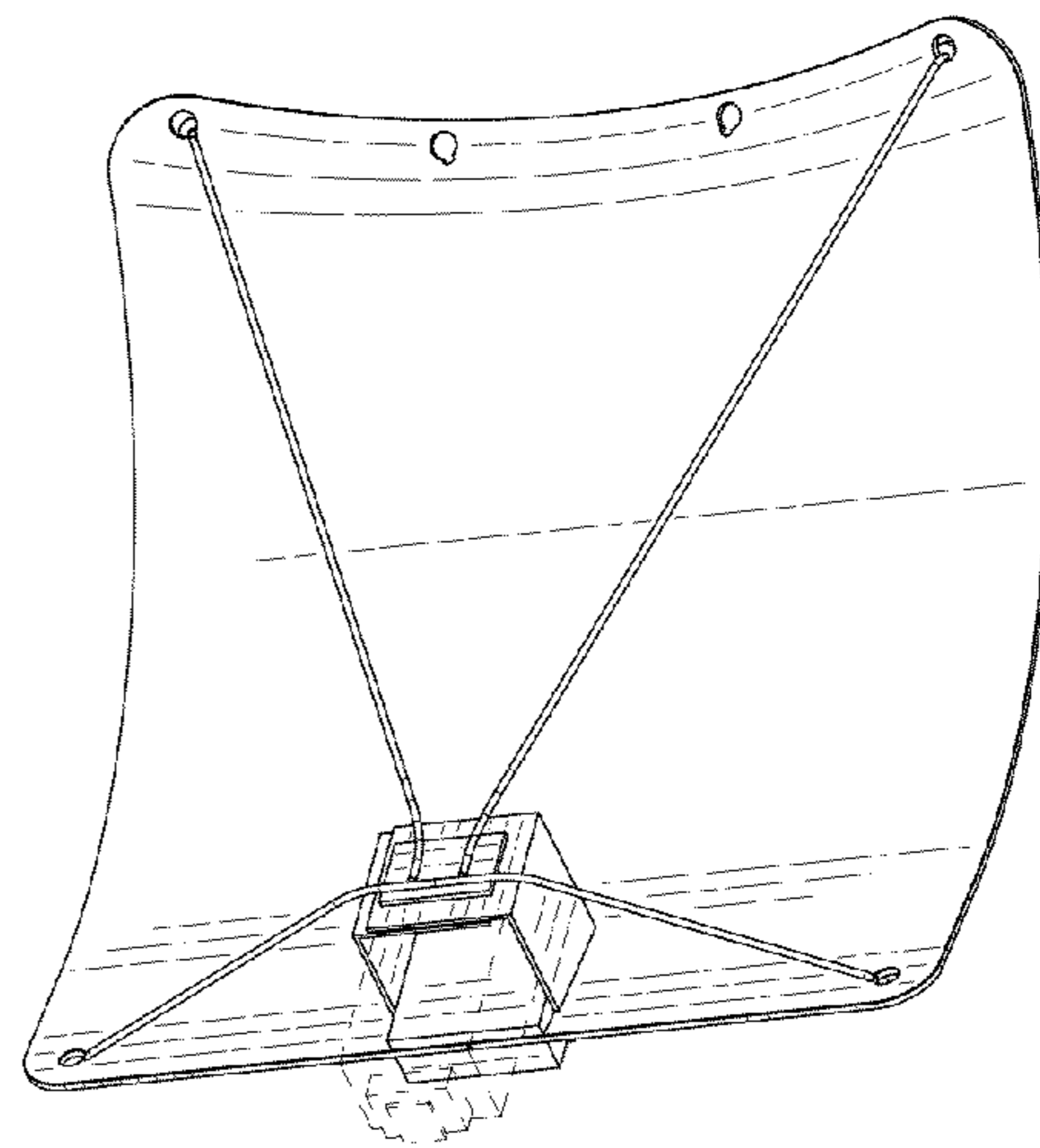


FIG. 24

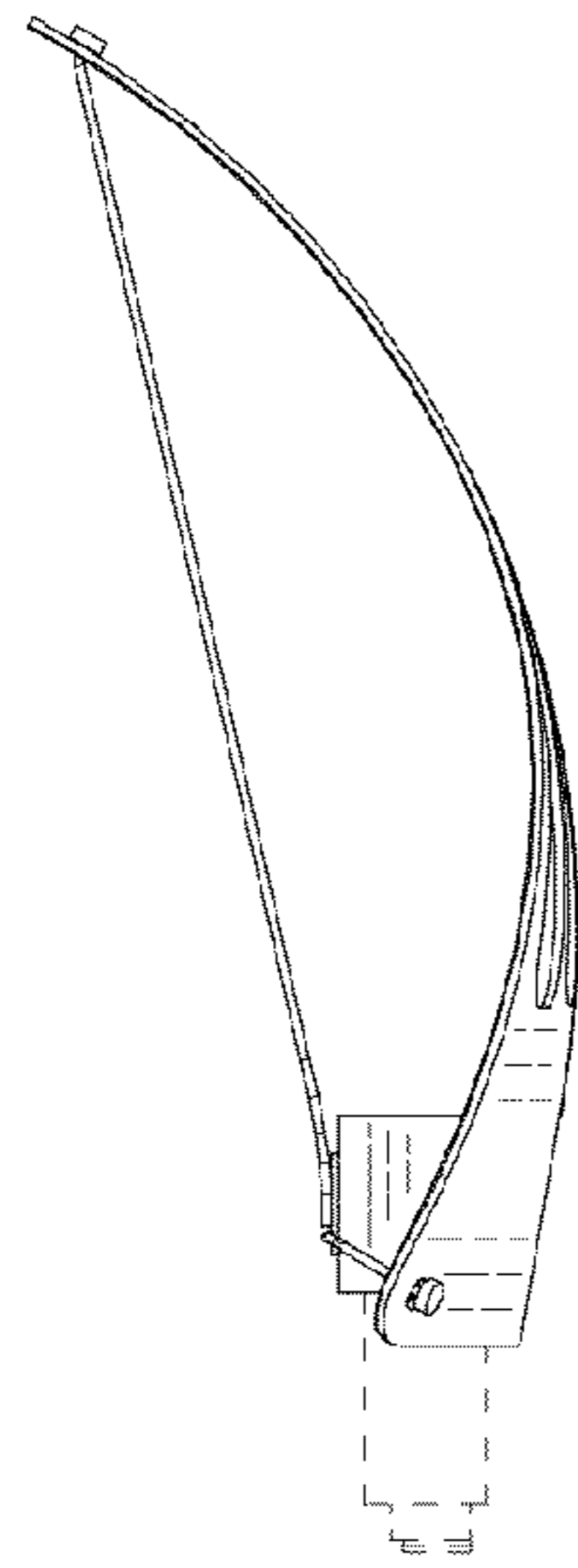


FIG. 25

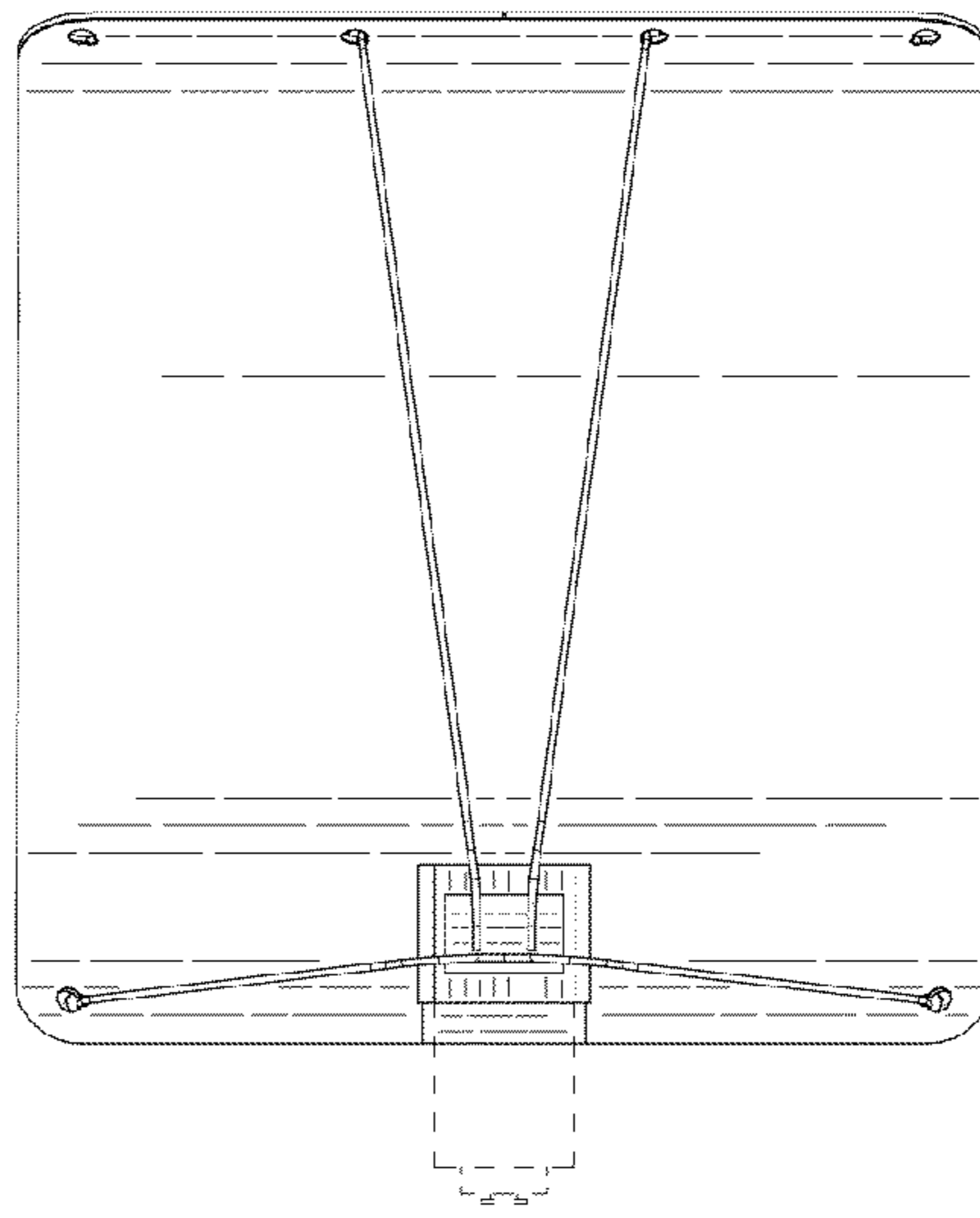


FIG. 27

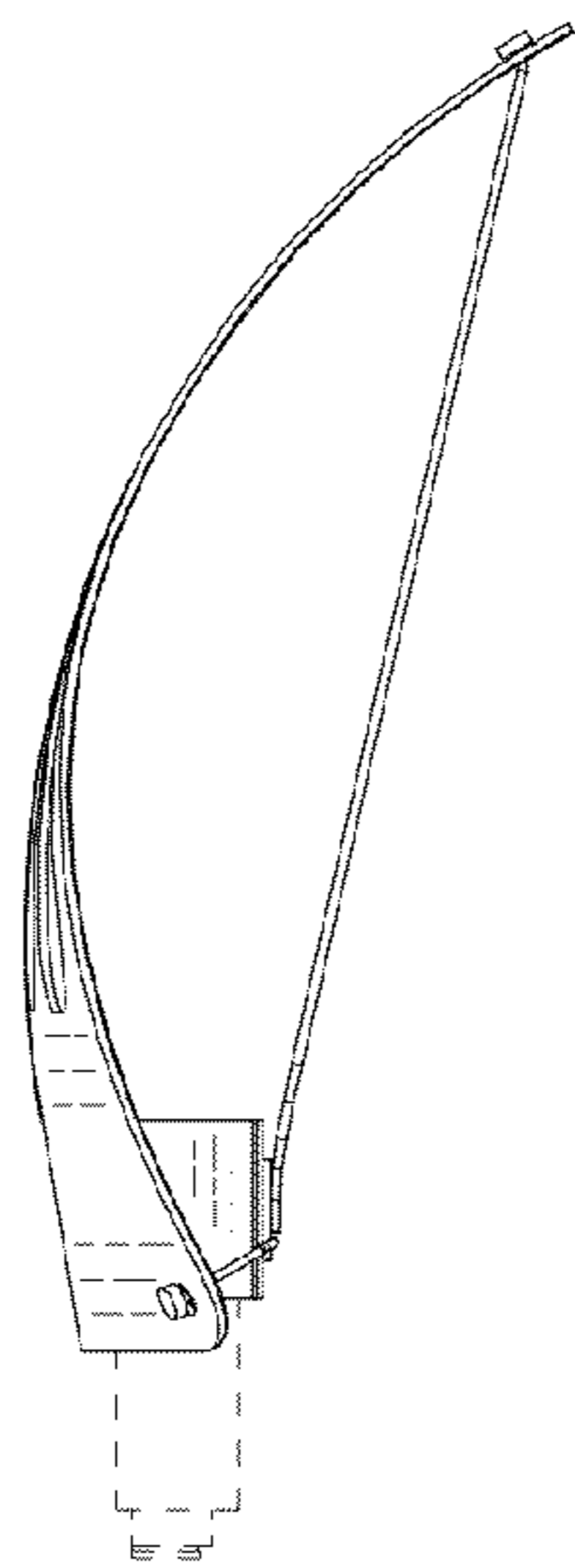


FIG. 26

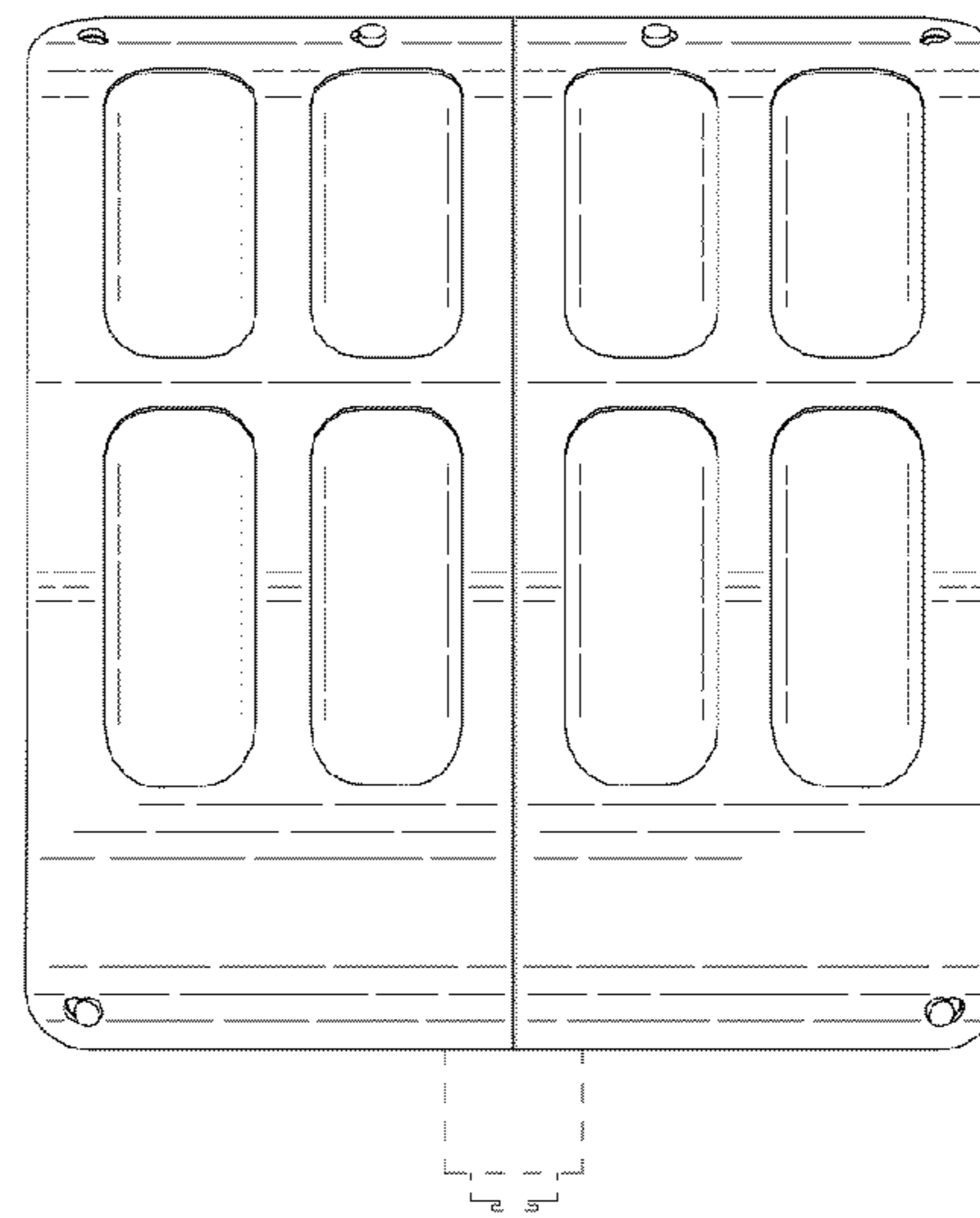


FIG. 28

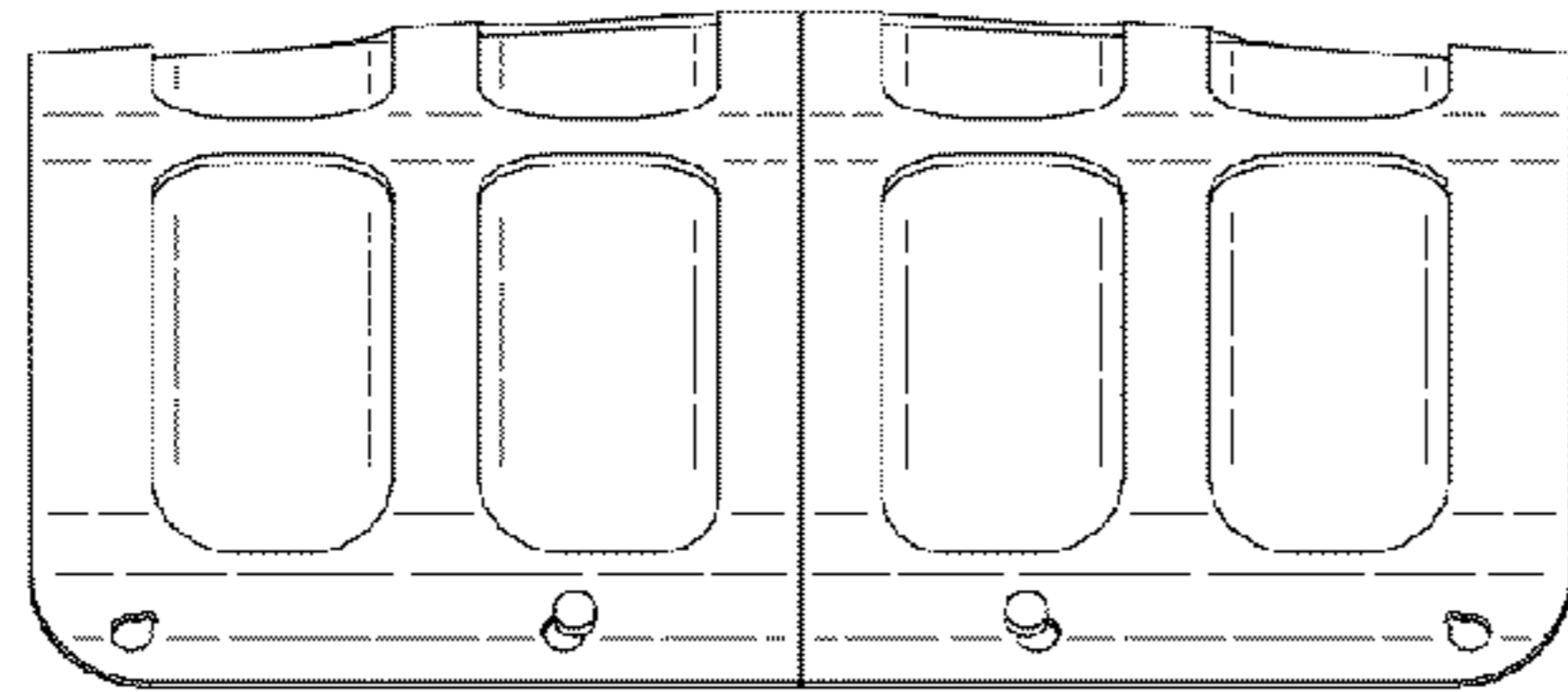


FIG. 29

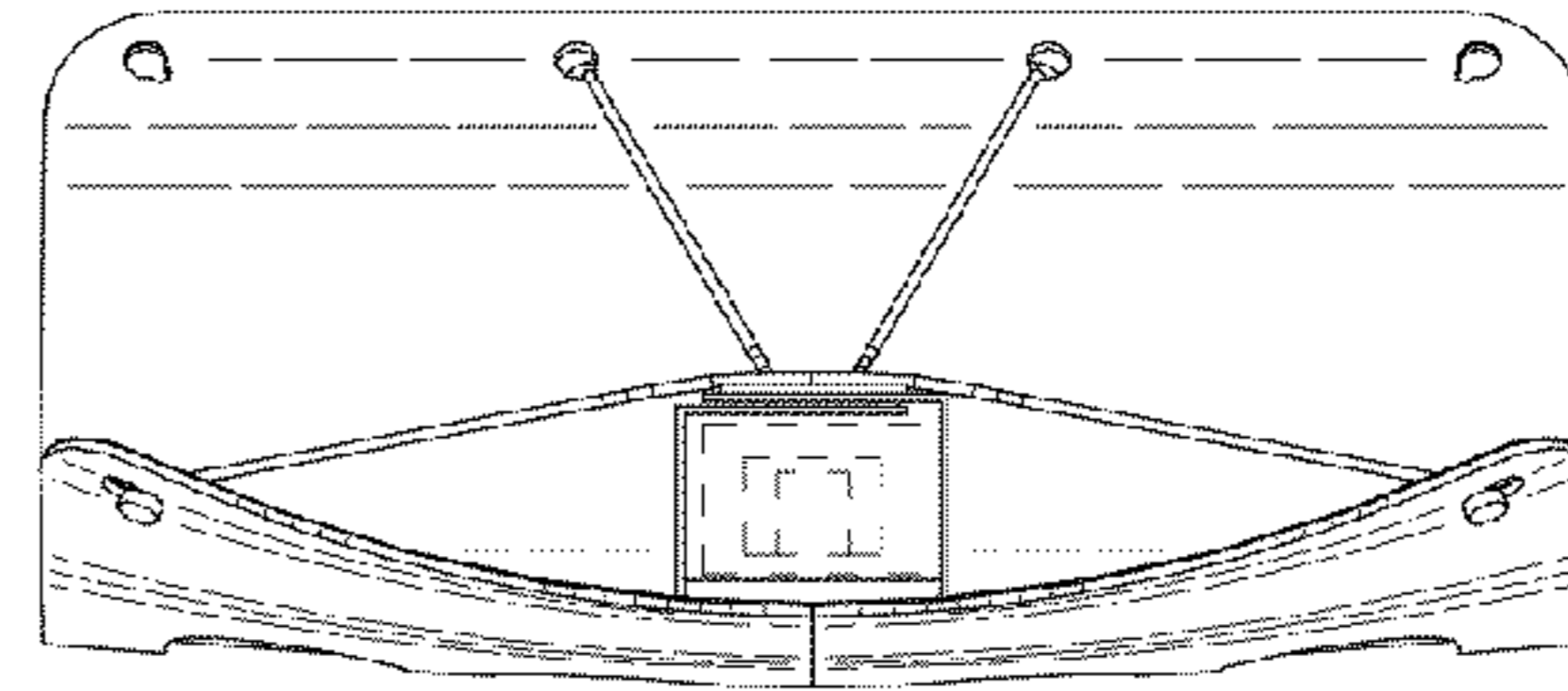


FIG. 30

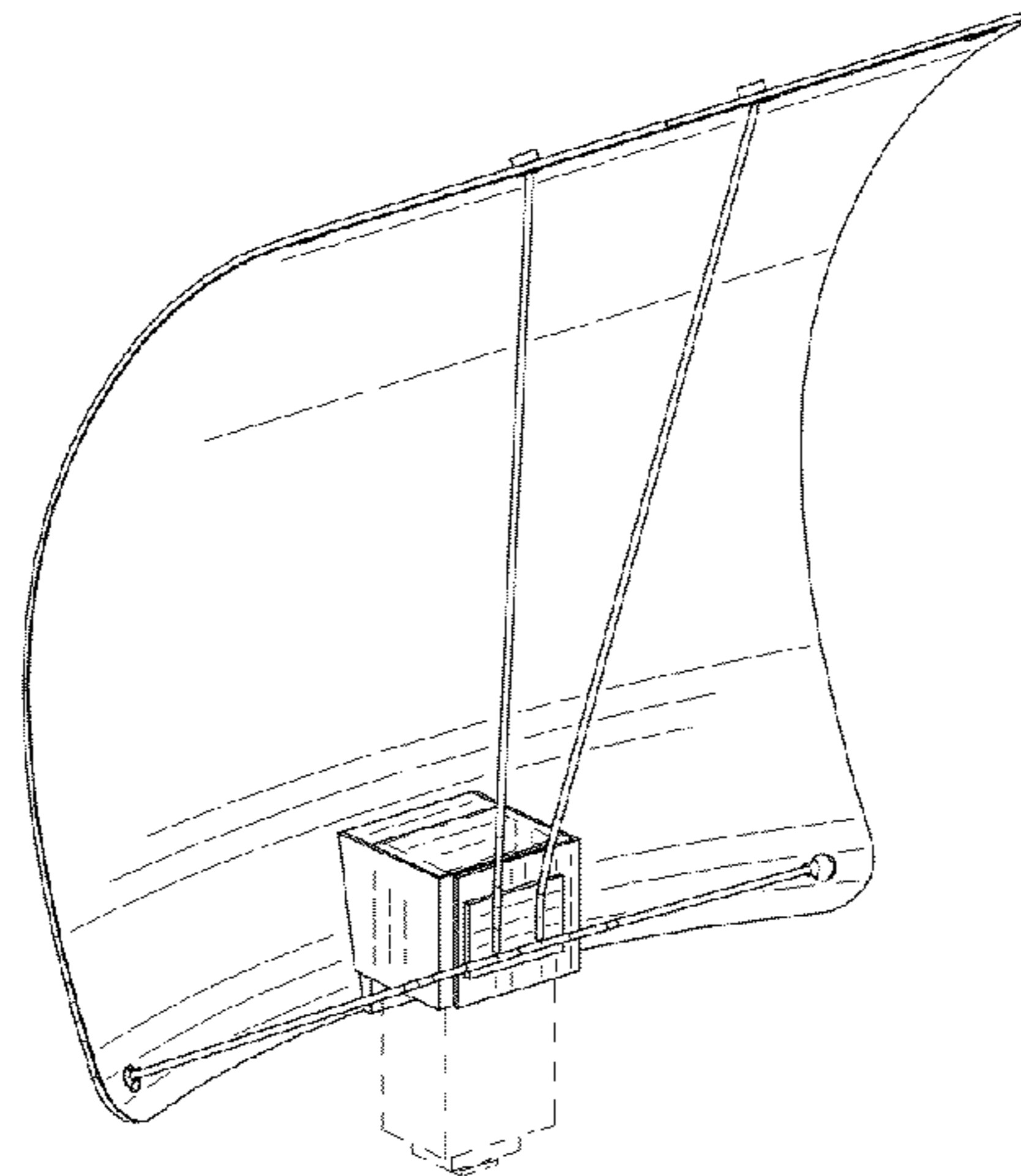


FIG. 31

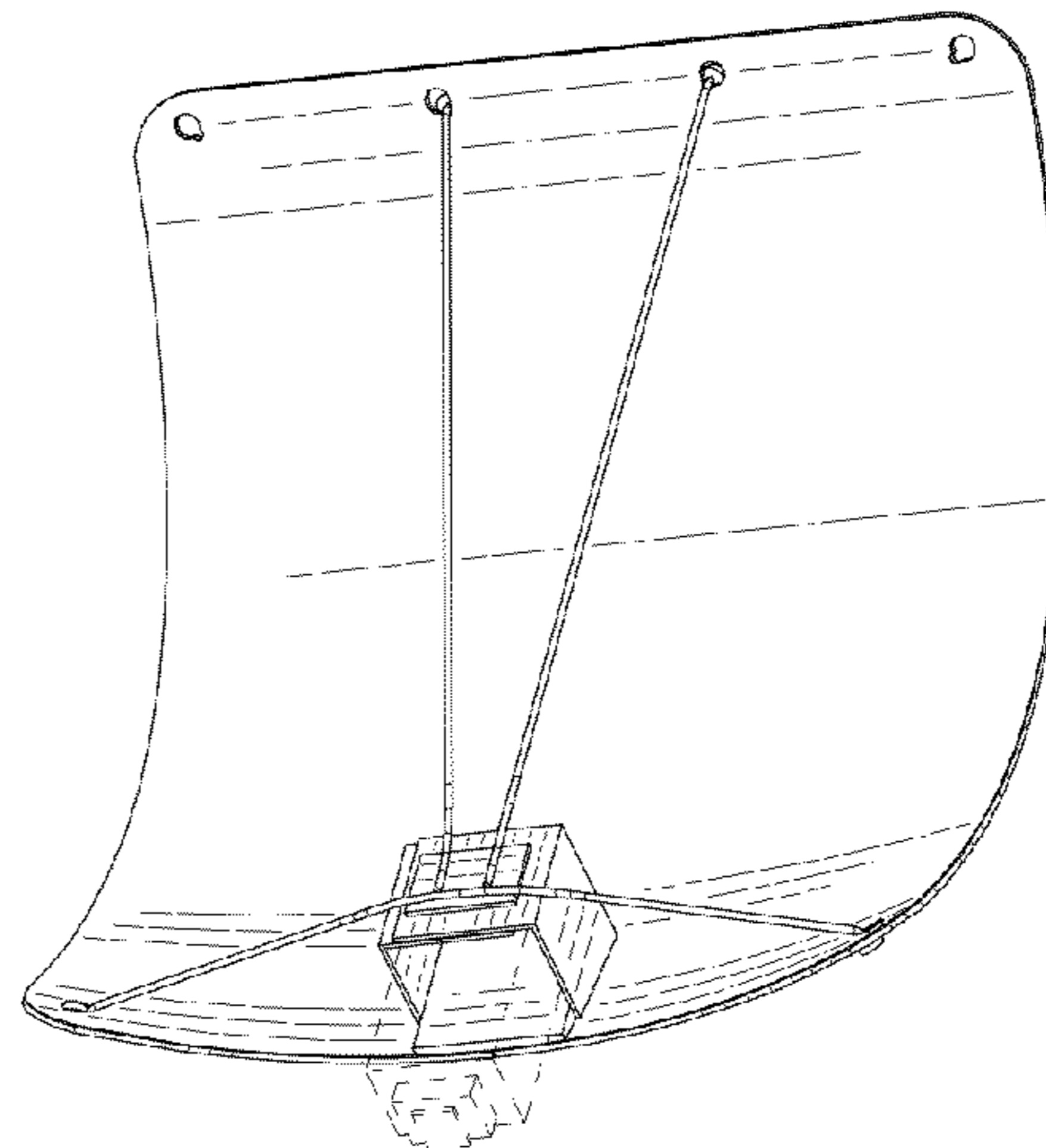


FIG. 32

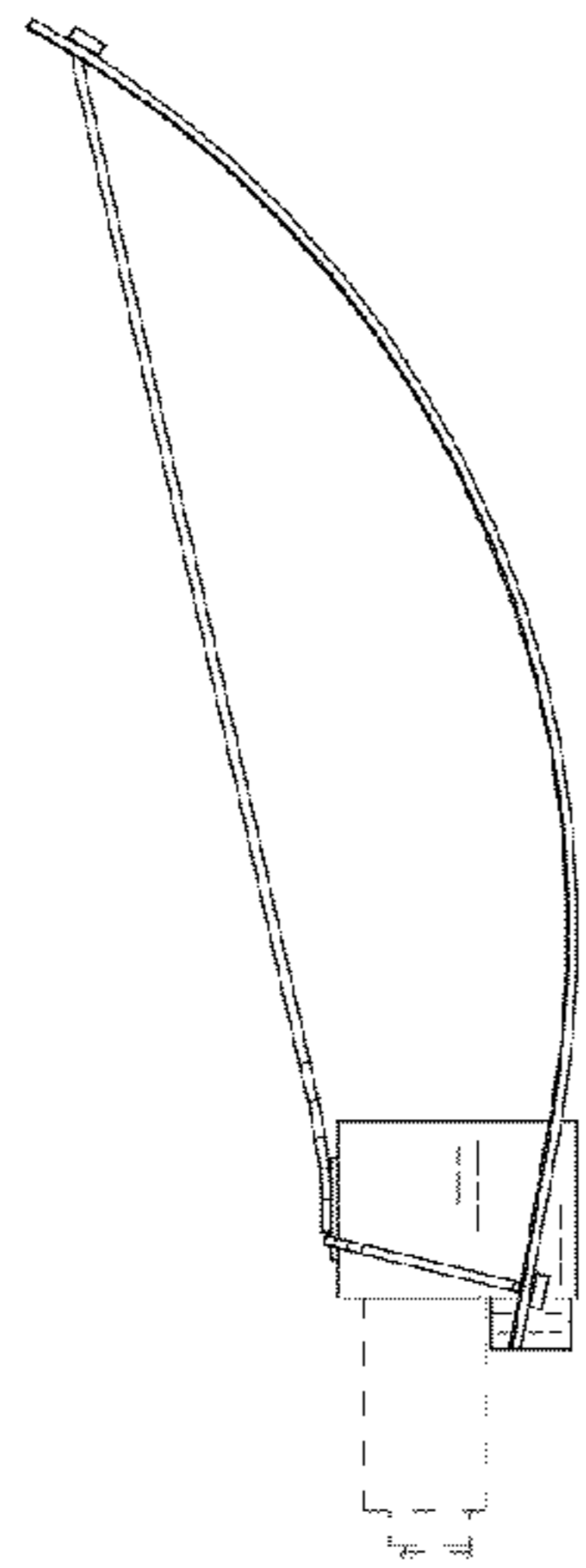


FIG. 33

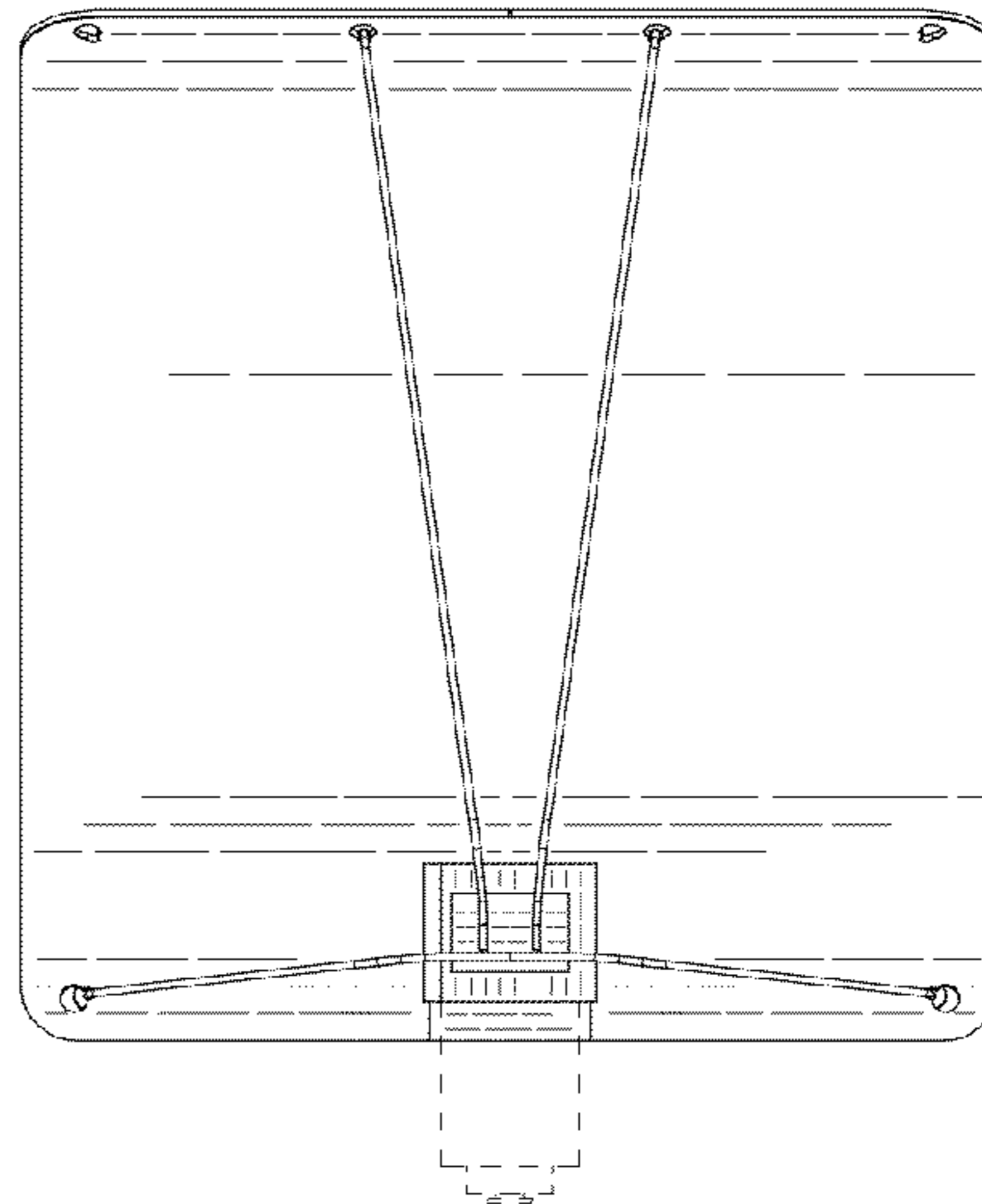


FIG. 35

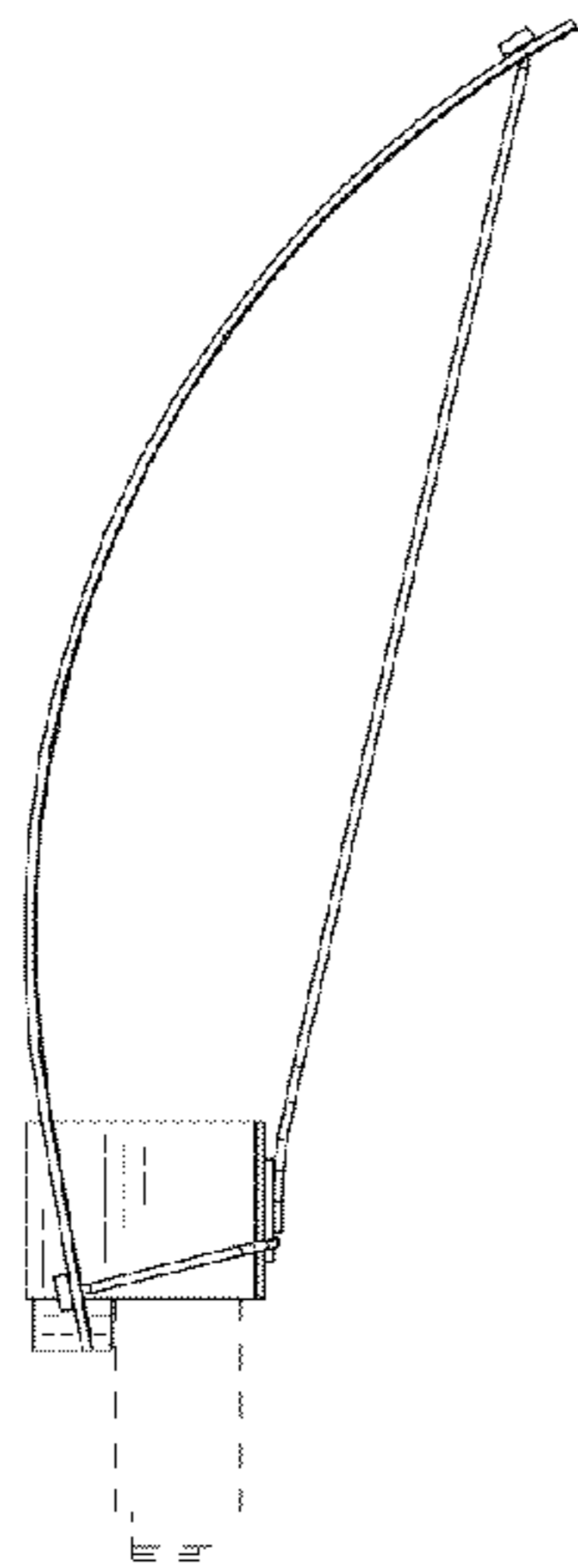


FIG. 34

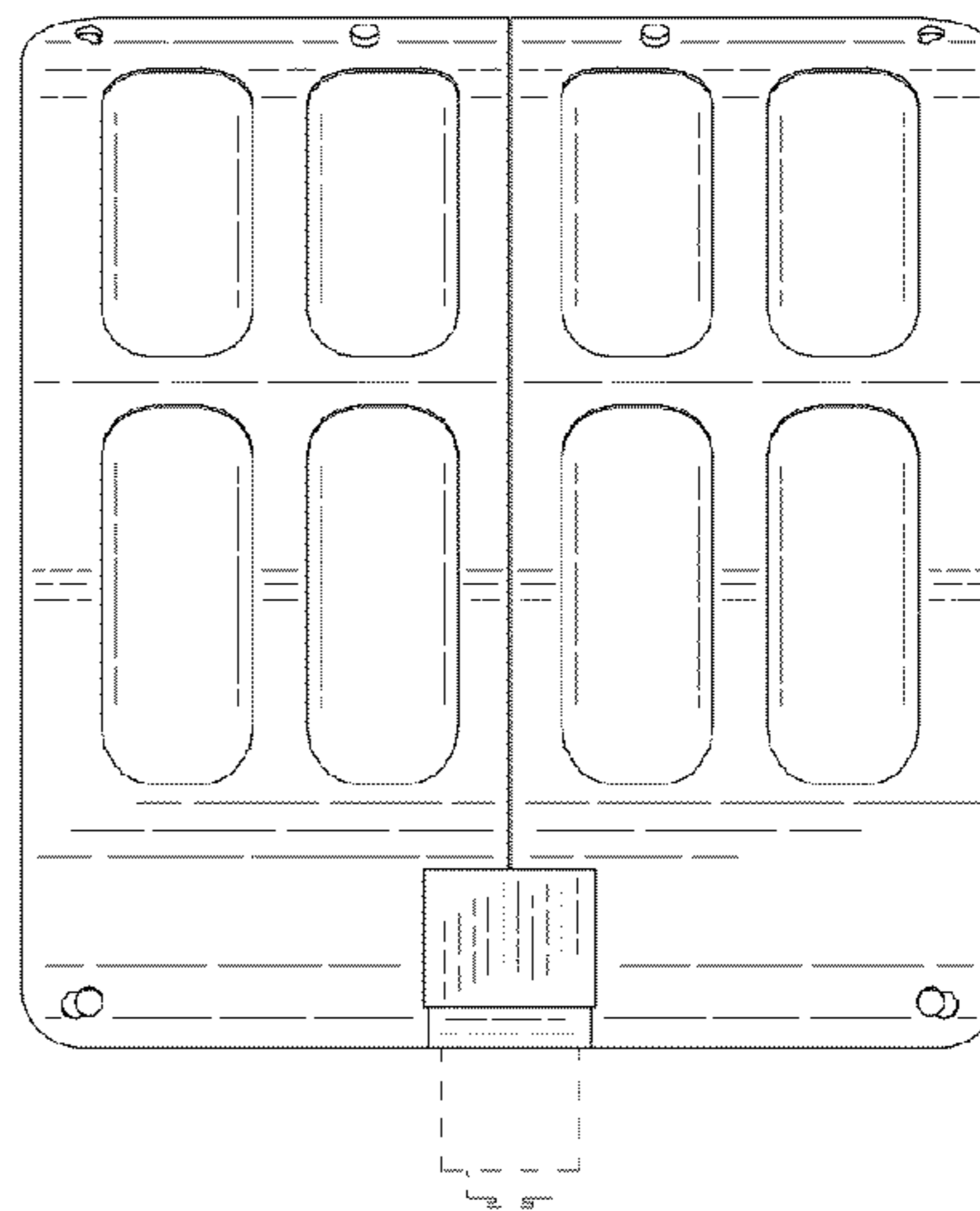


FIG. 36

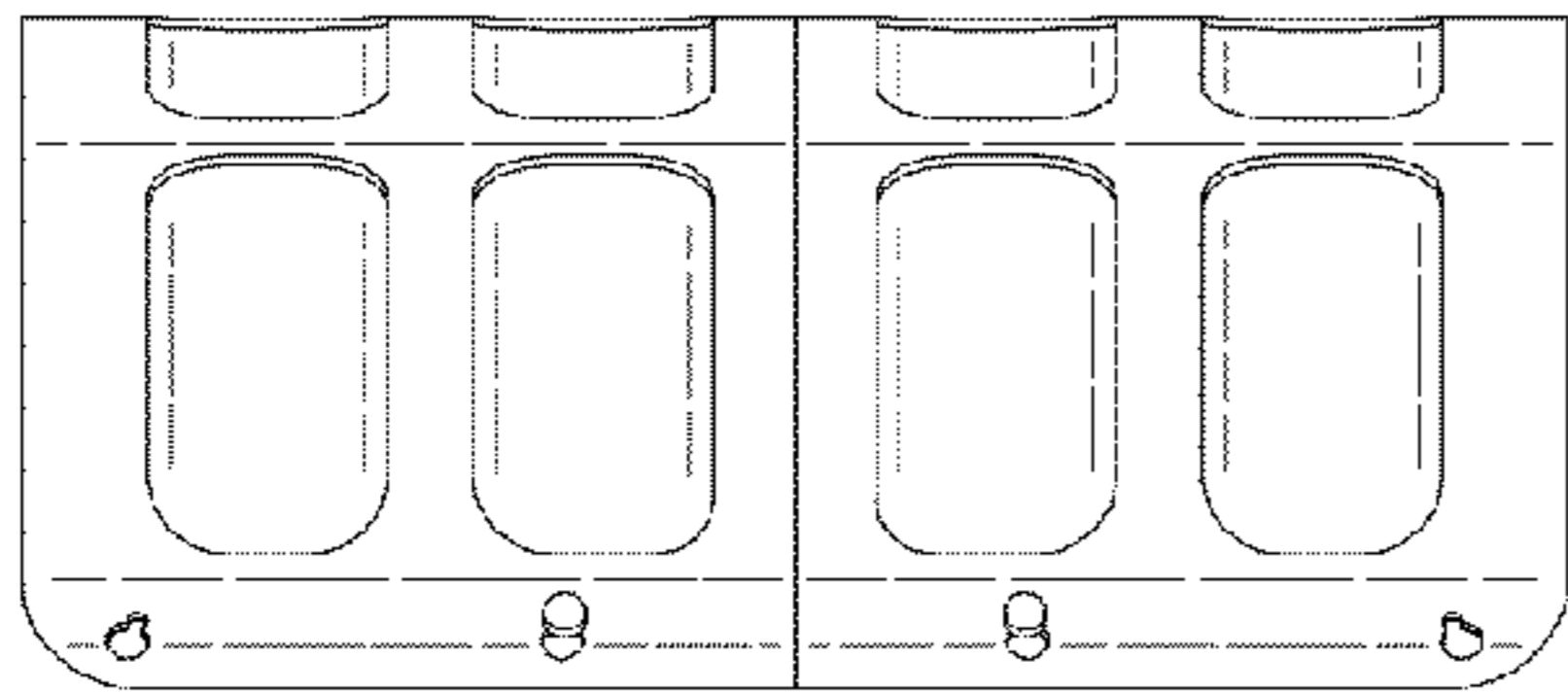


FIG. 37

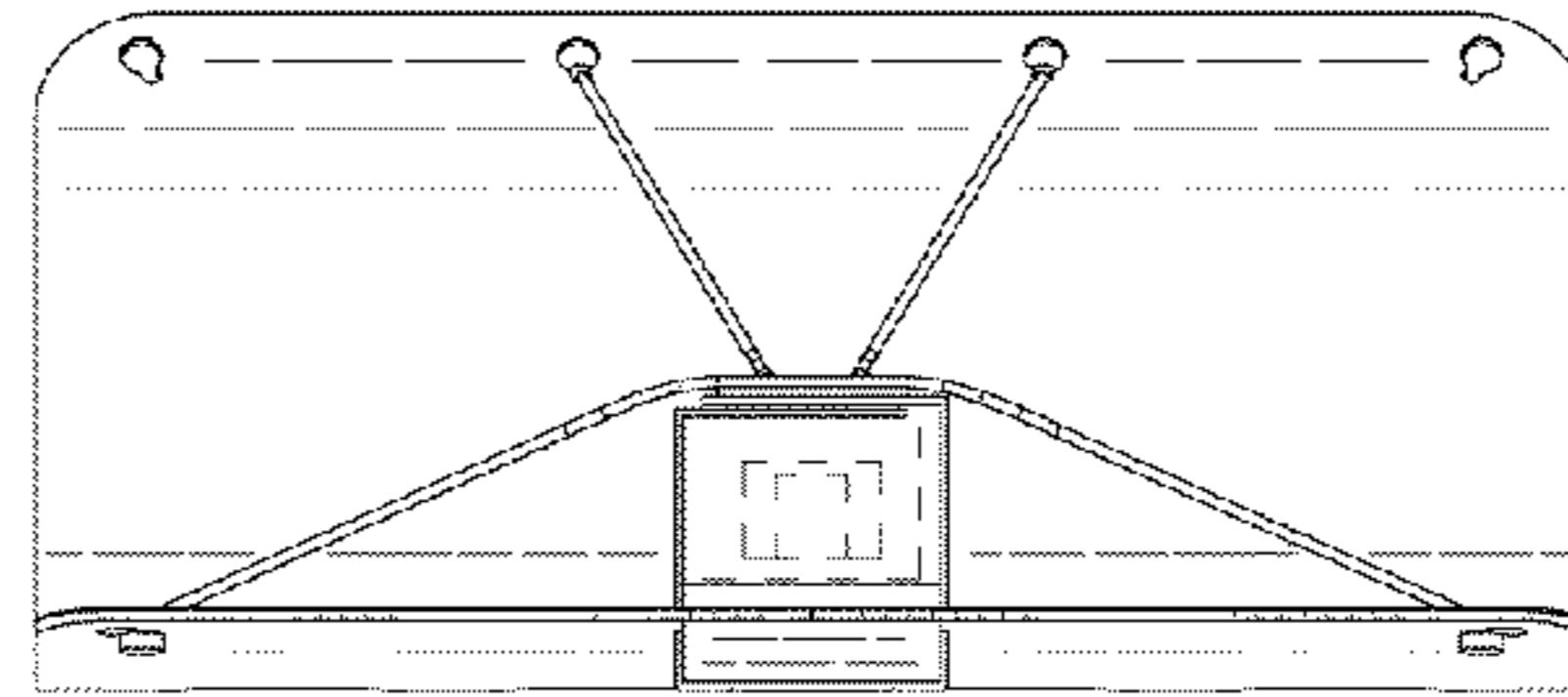


FIG. 38

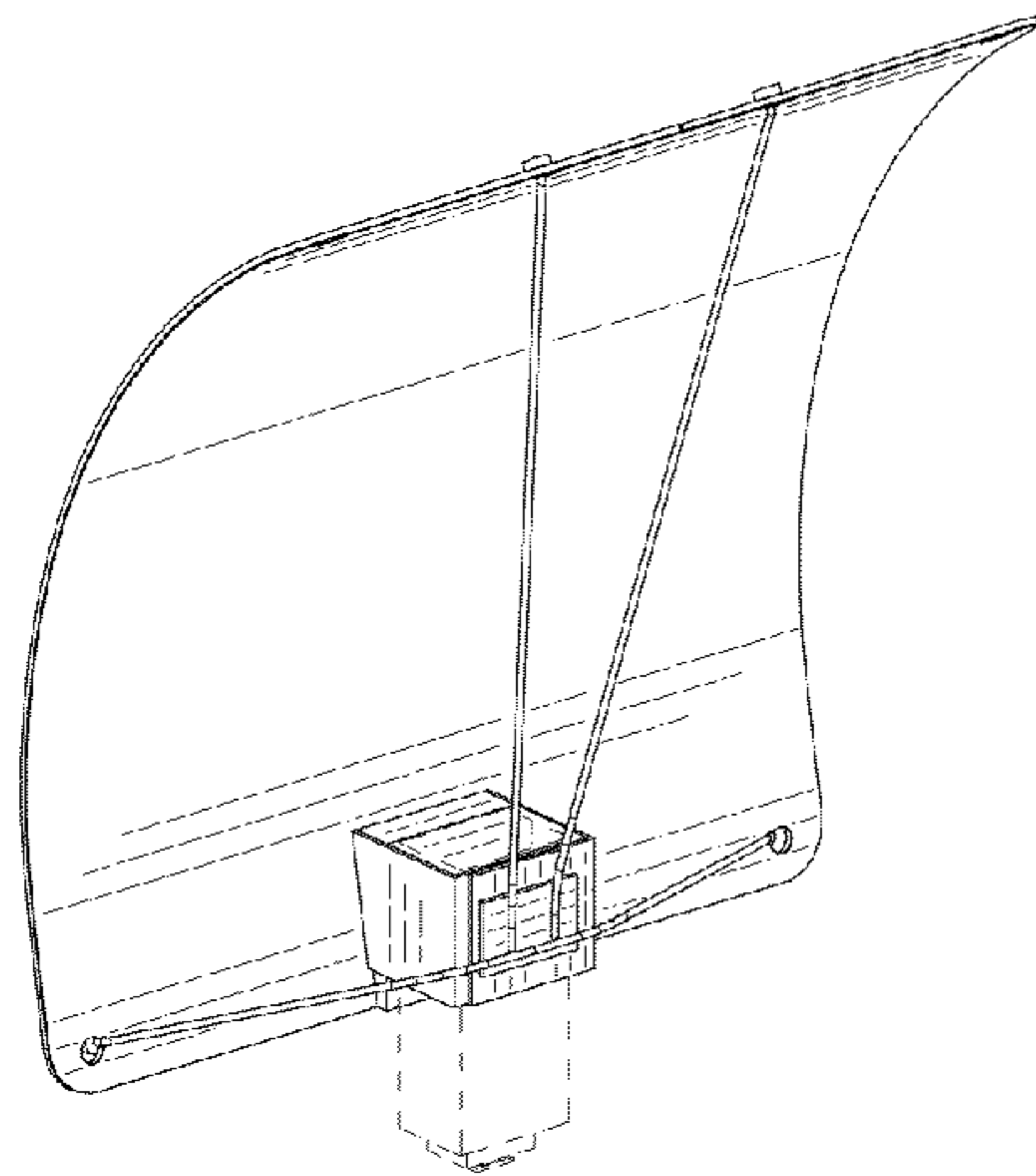


FIG. 39

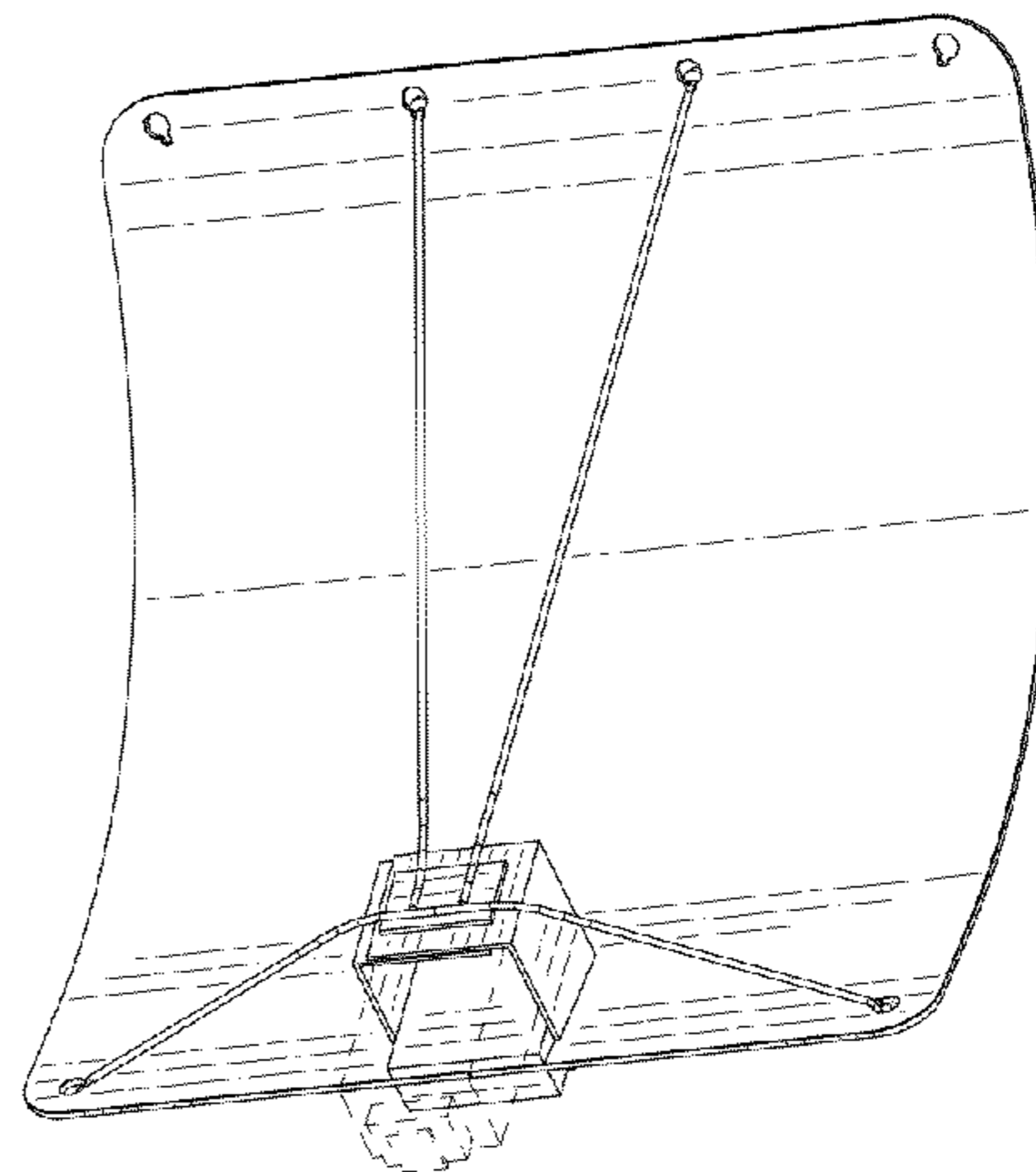


FIG. 40

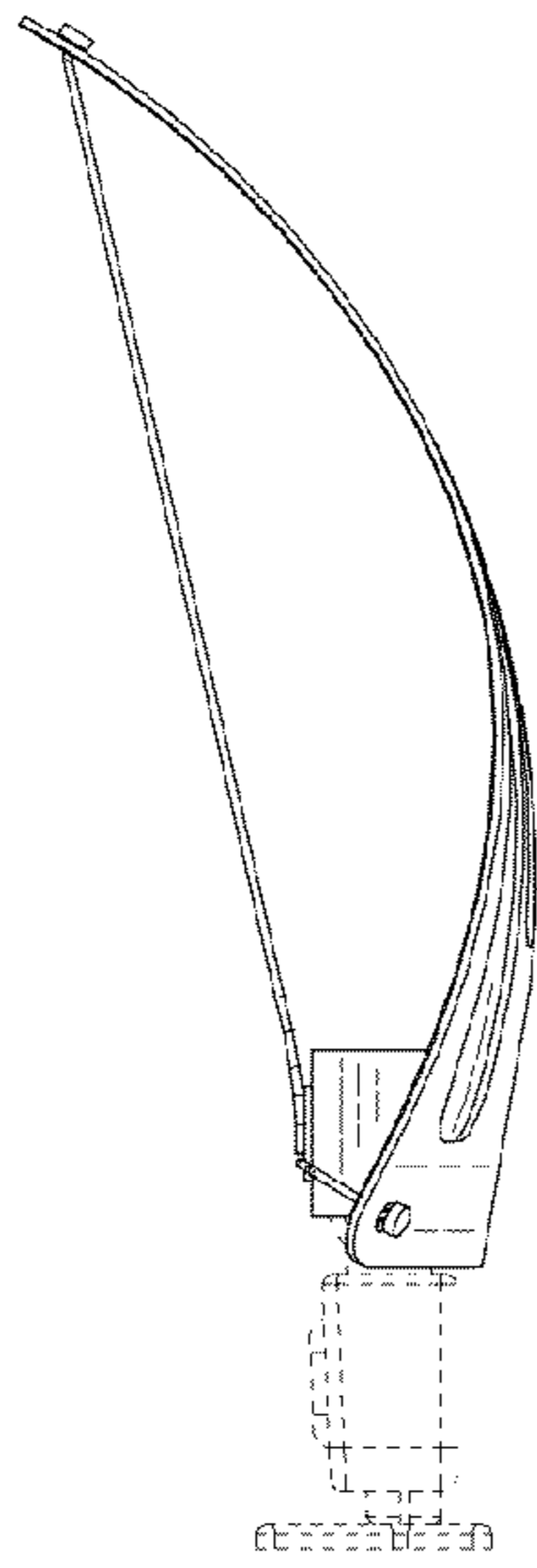


FIG. 41

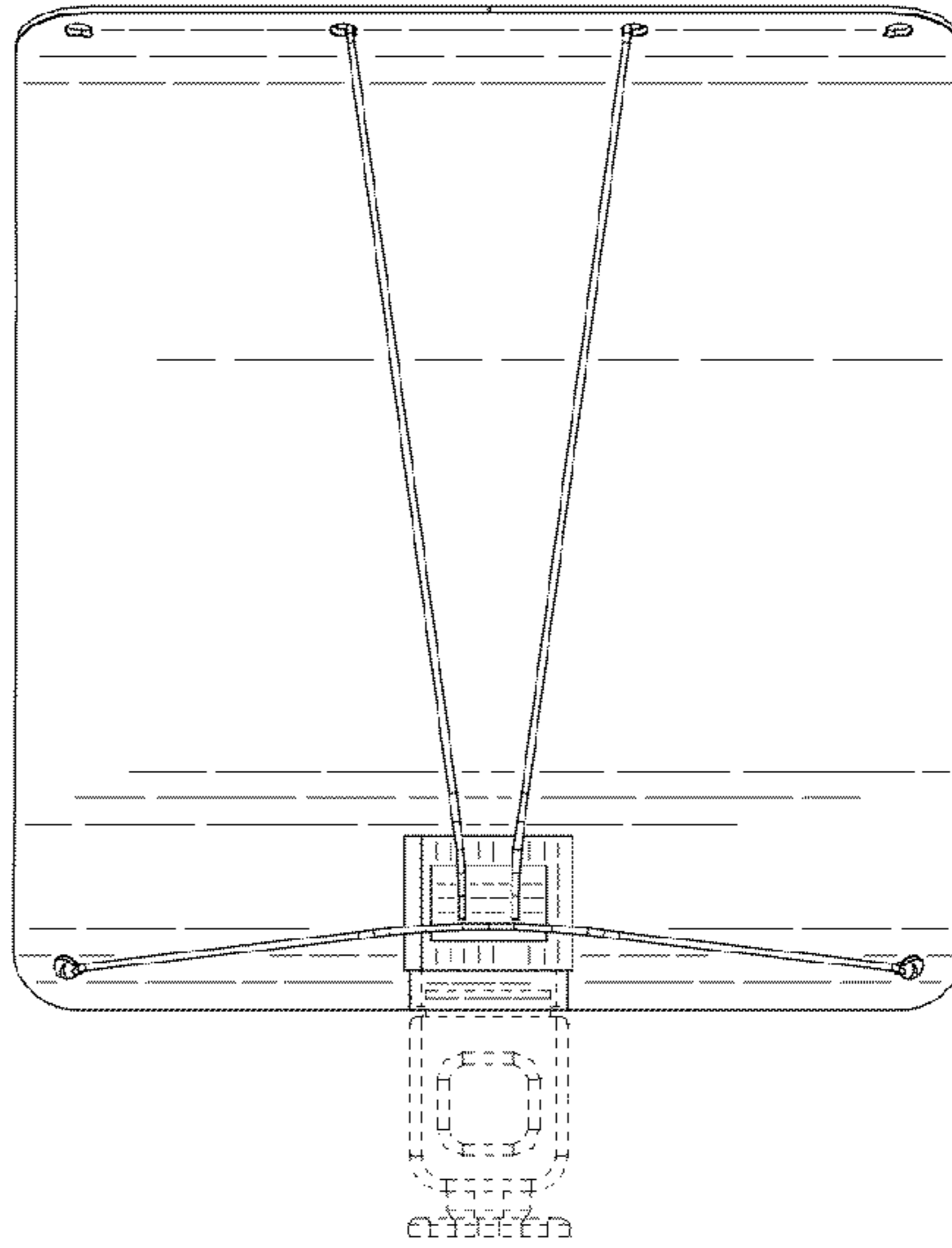


FIG. 43

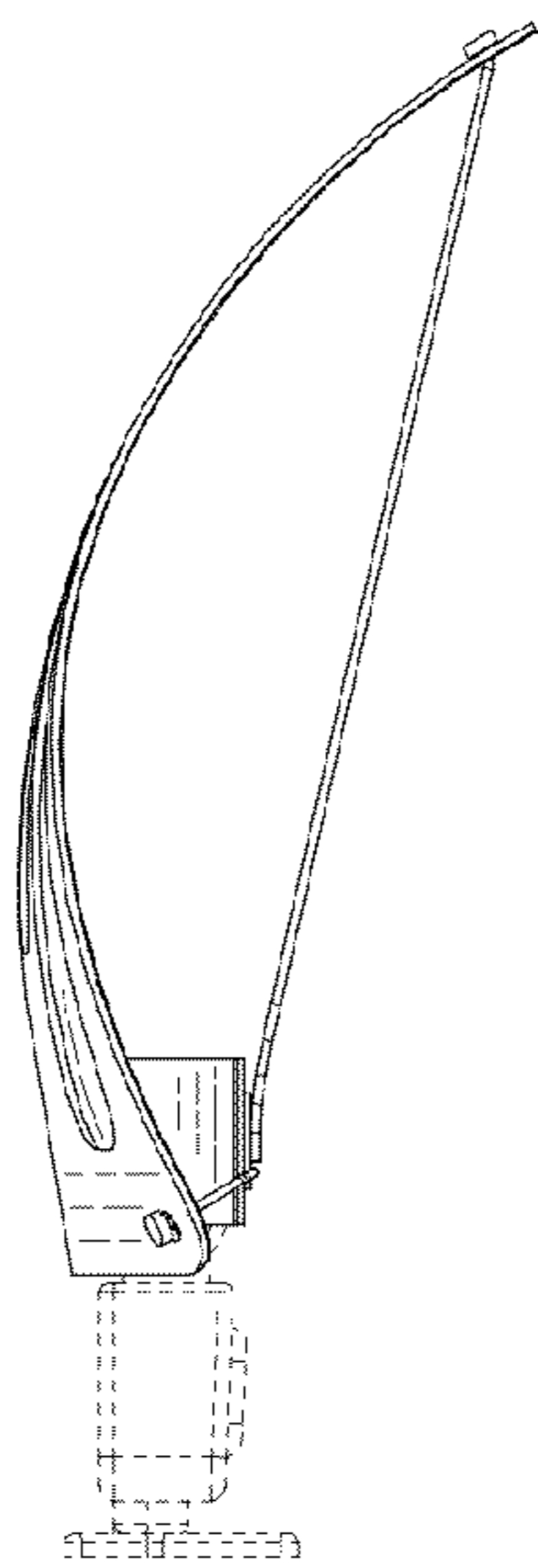


FIG. 42

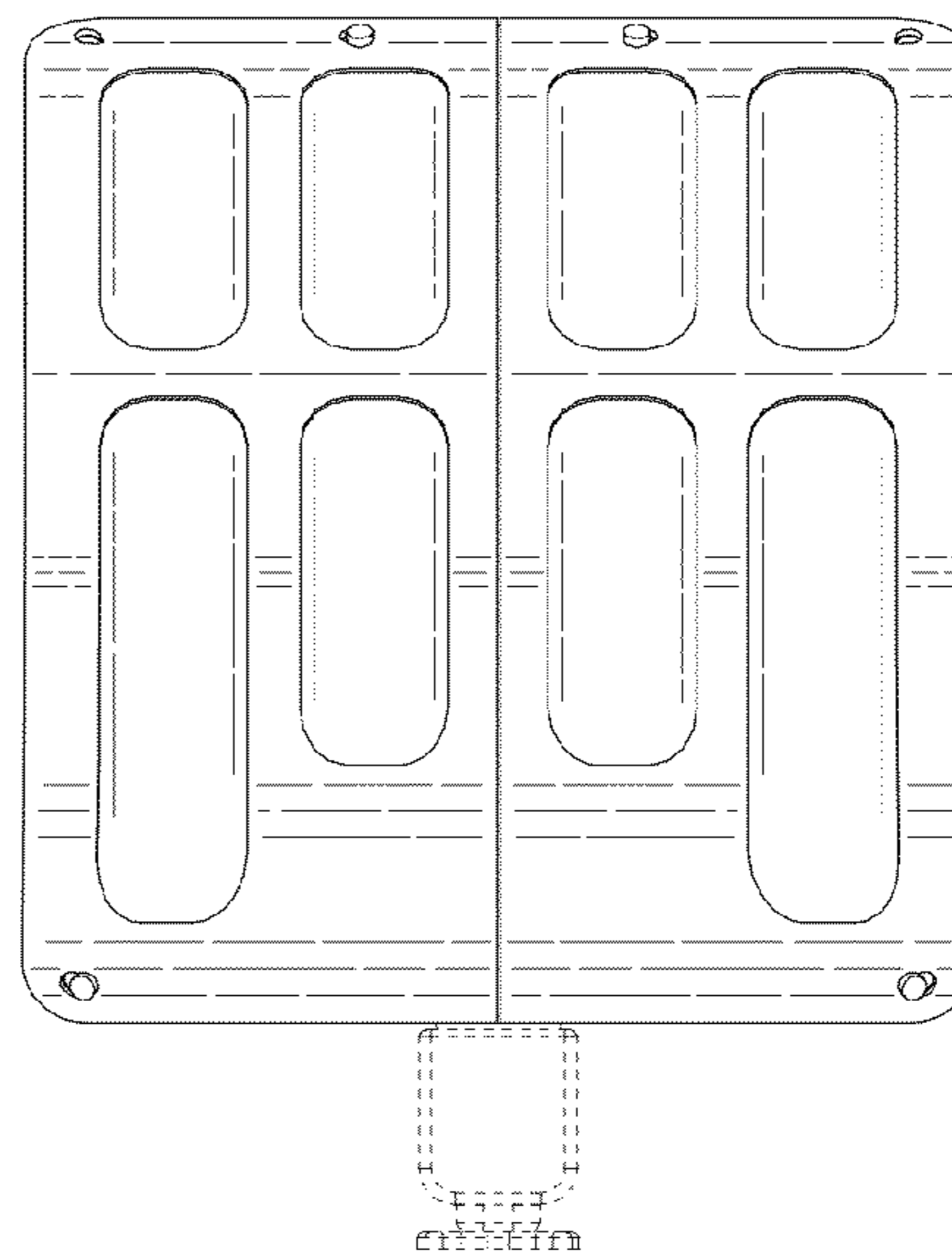


FIG. 44

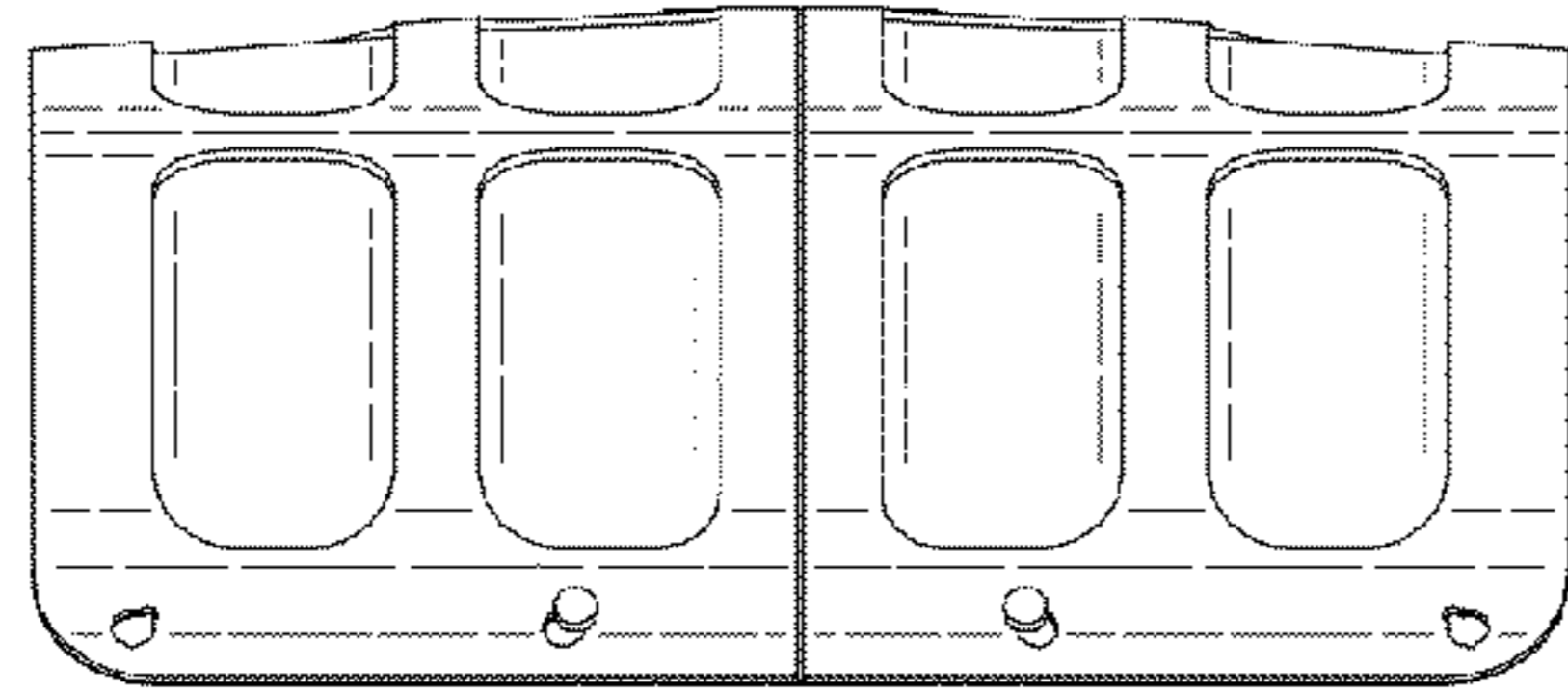


FIG. 45

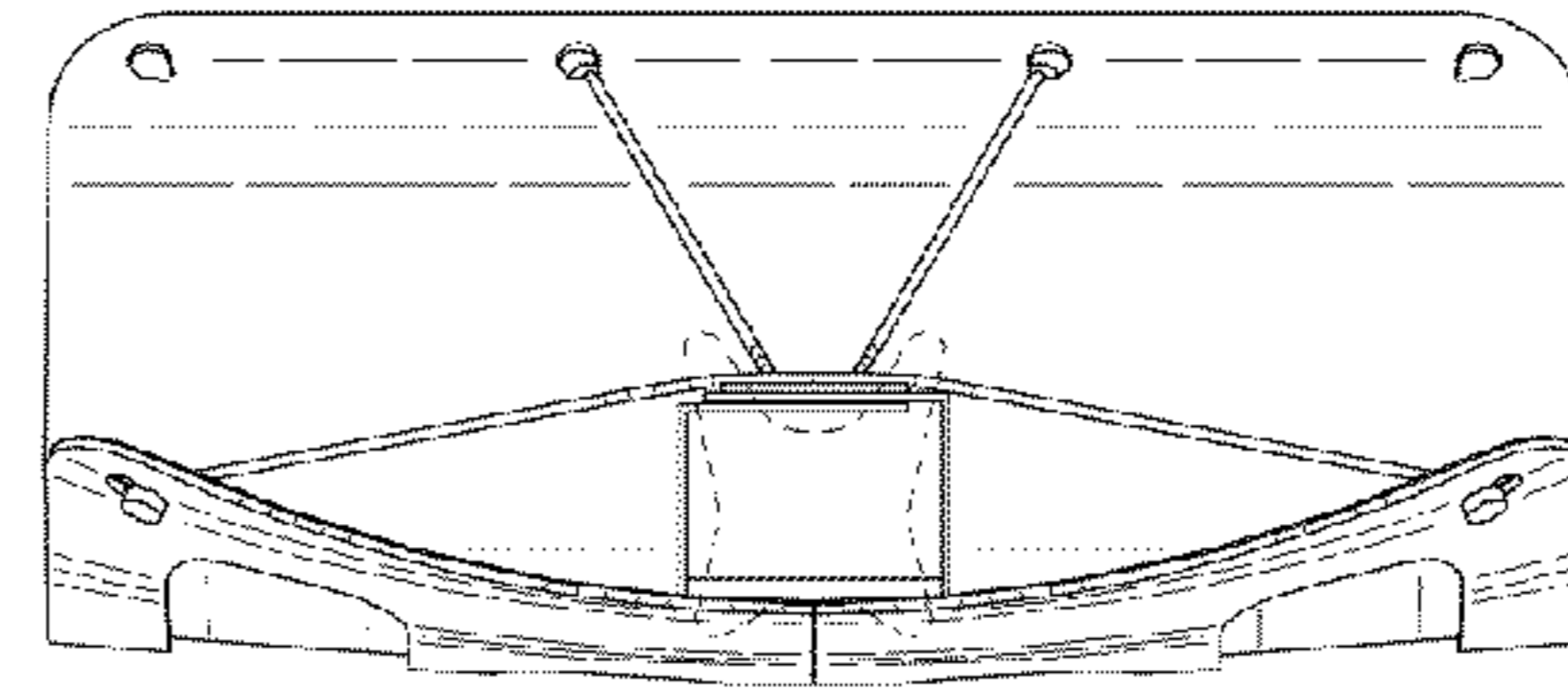


FIG. 46

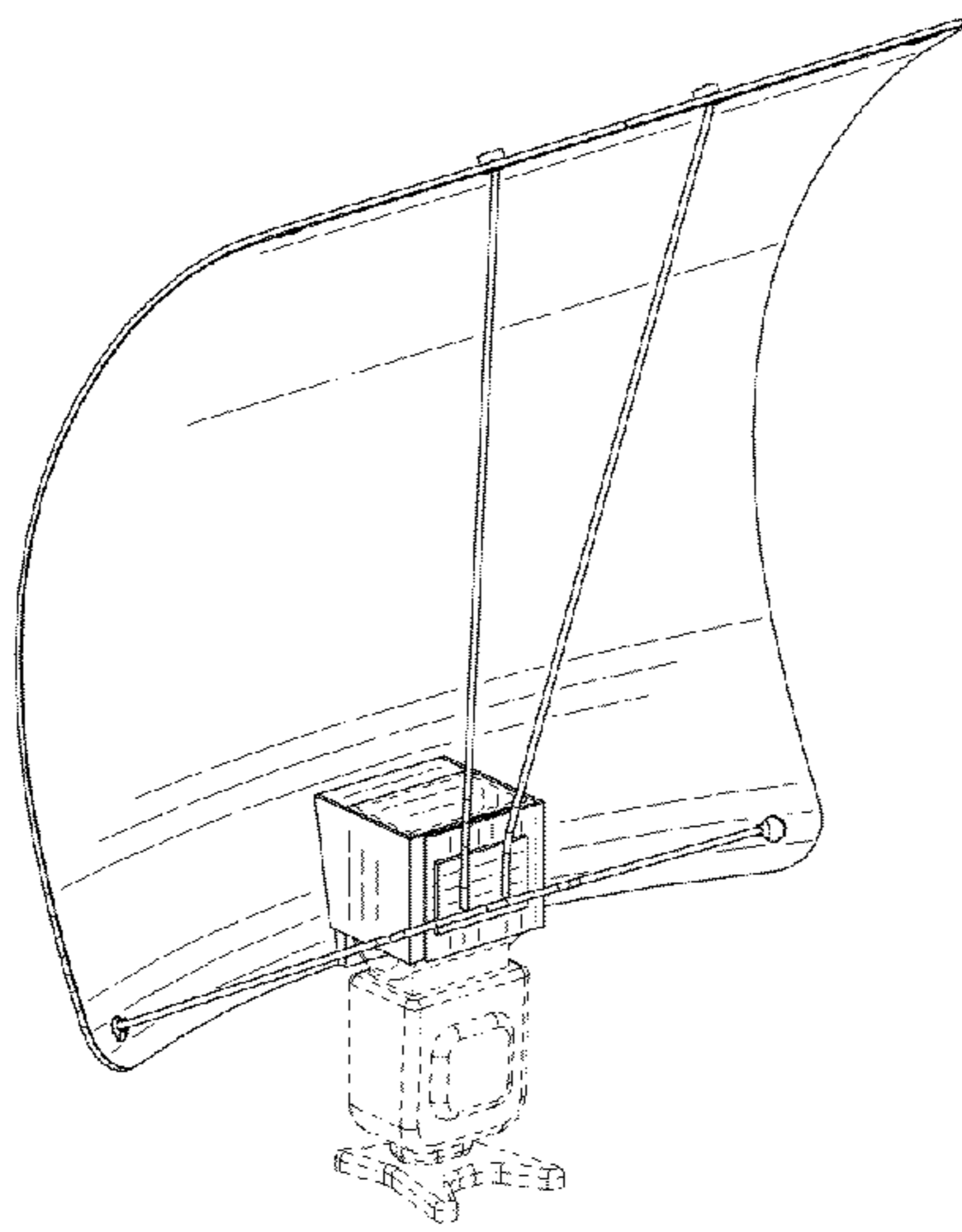


FIG. 47

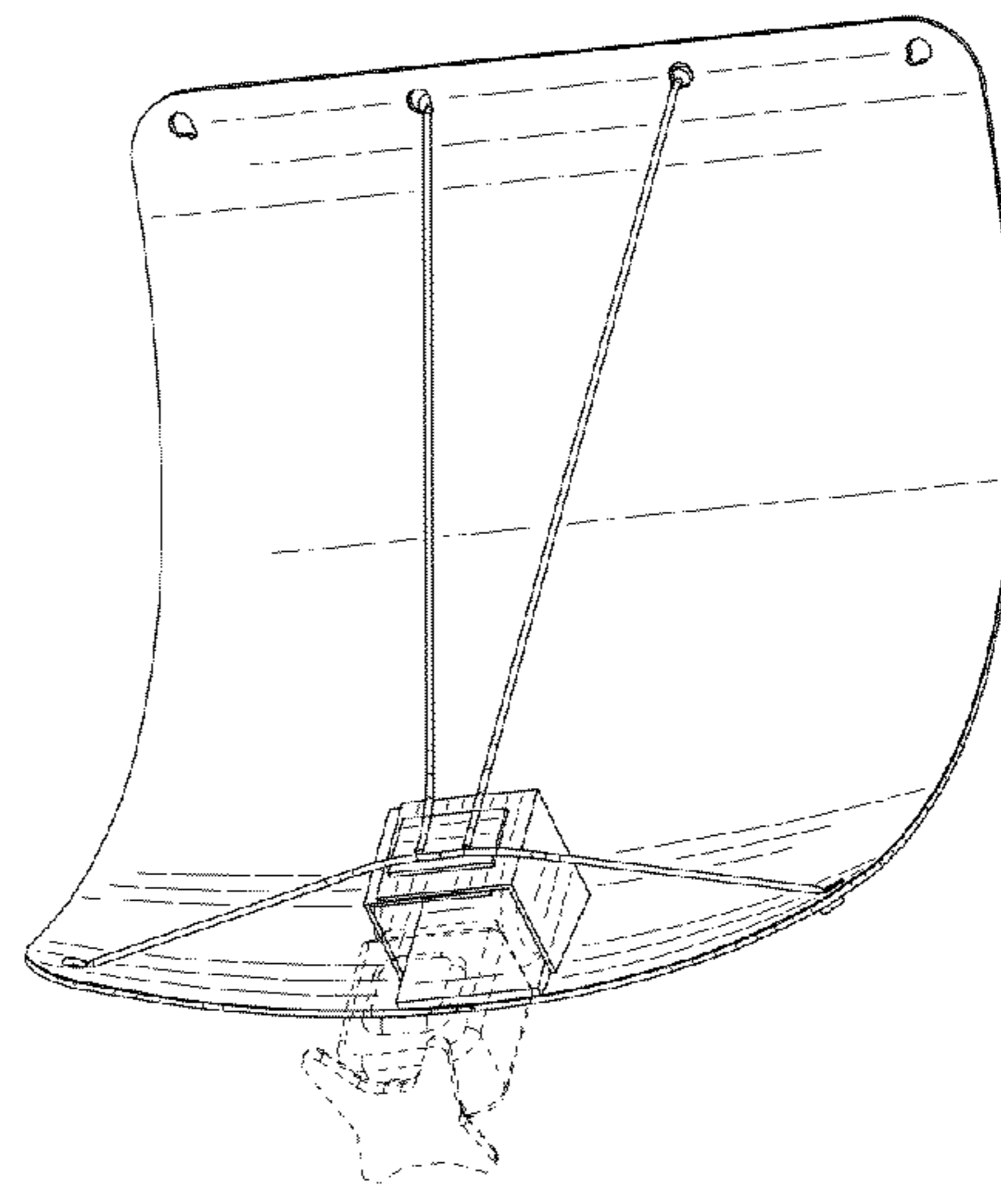


FIG. 48

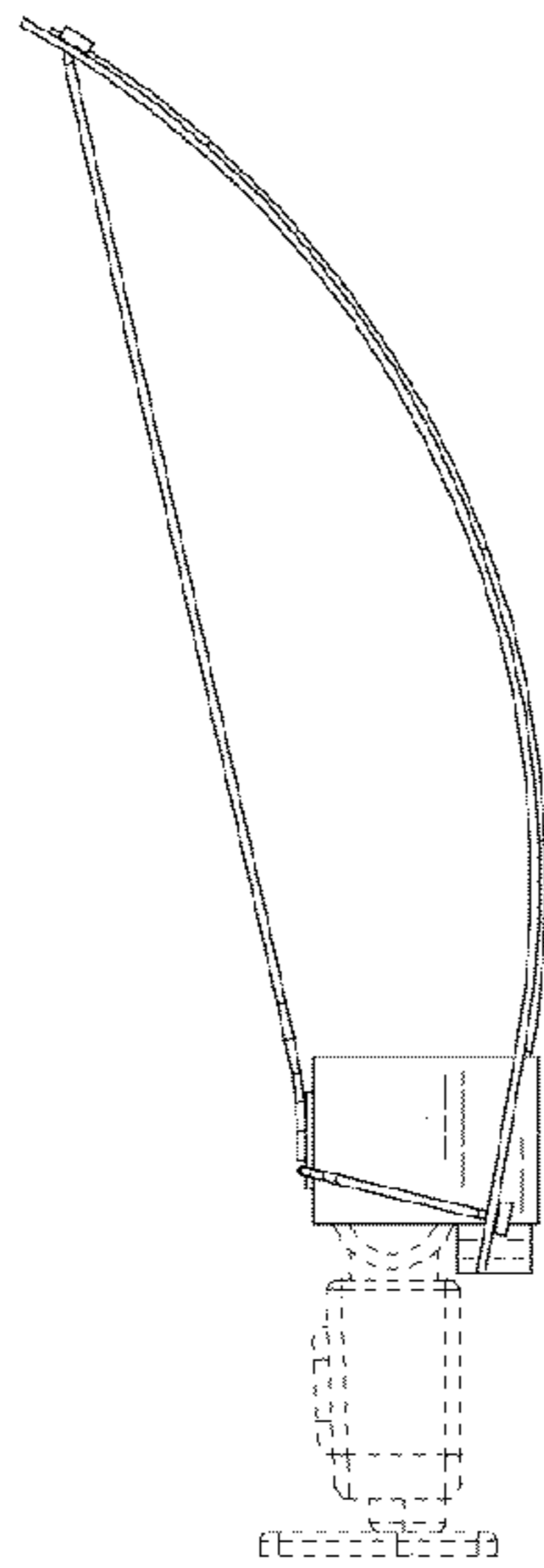


FIG. 49

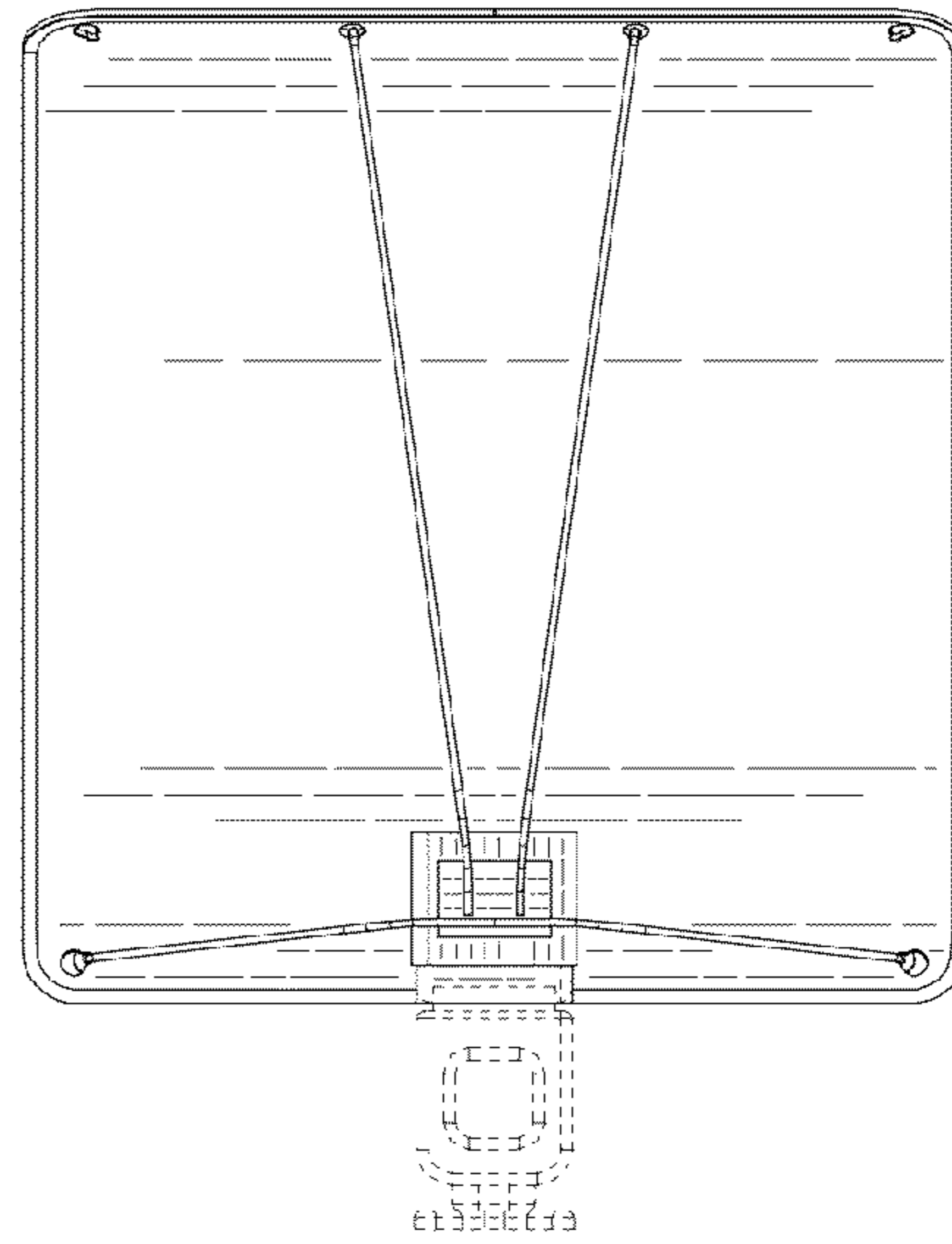


FIG. 51

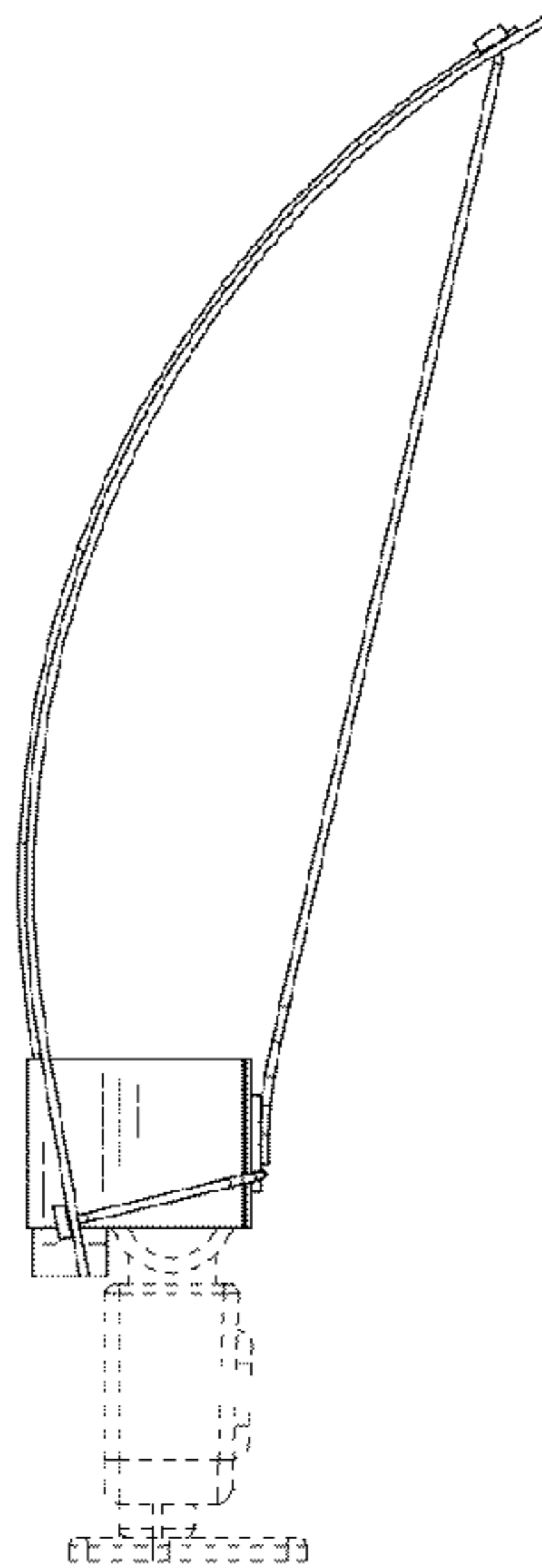


FIG. 50

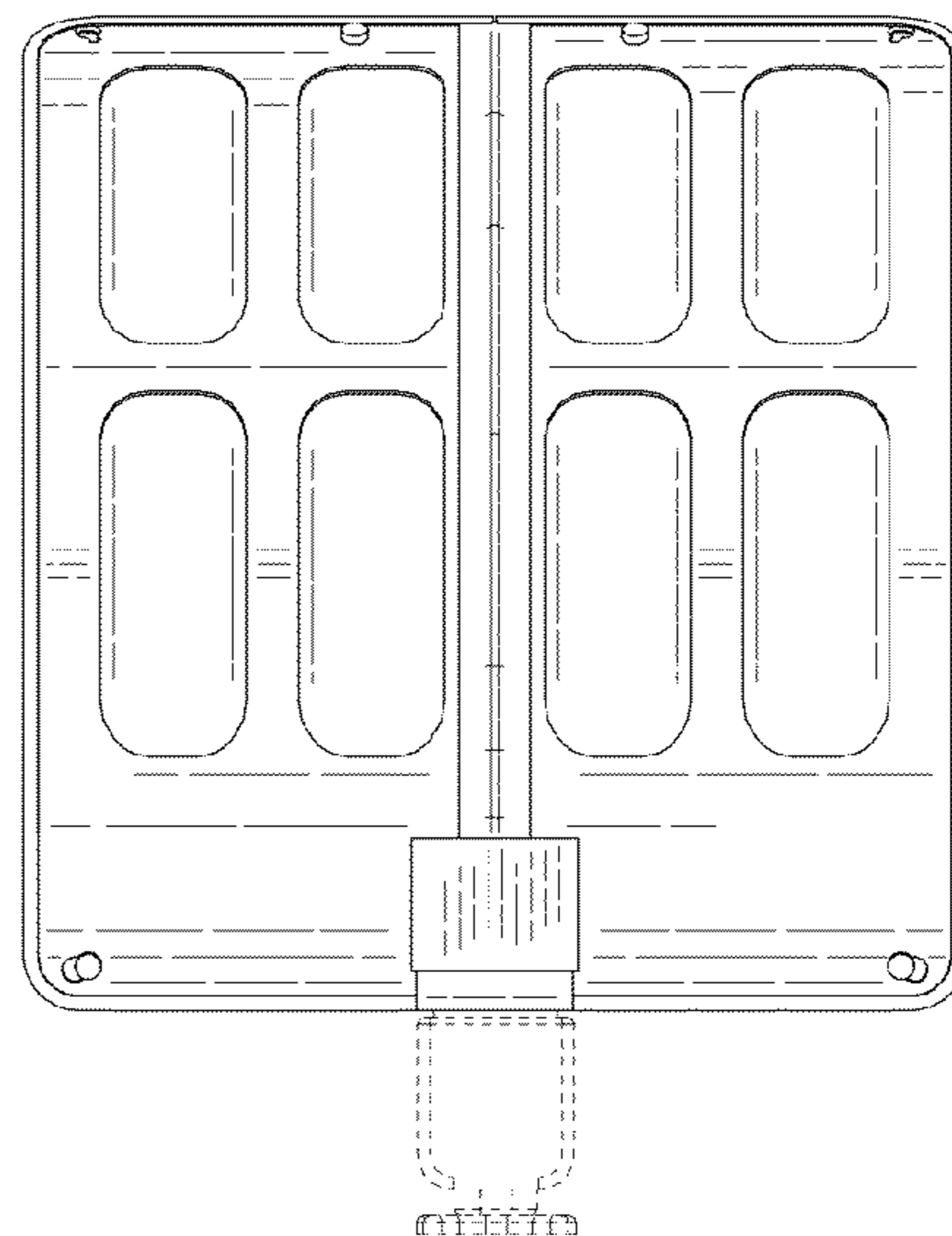


FIG. 52

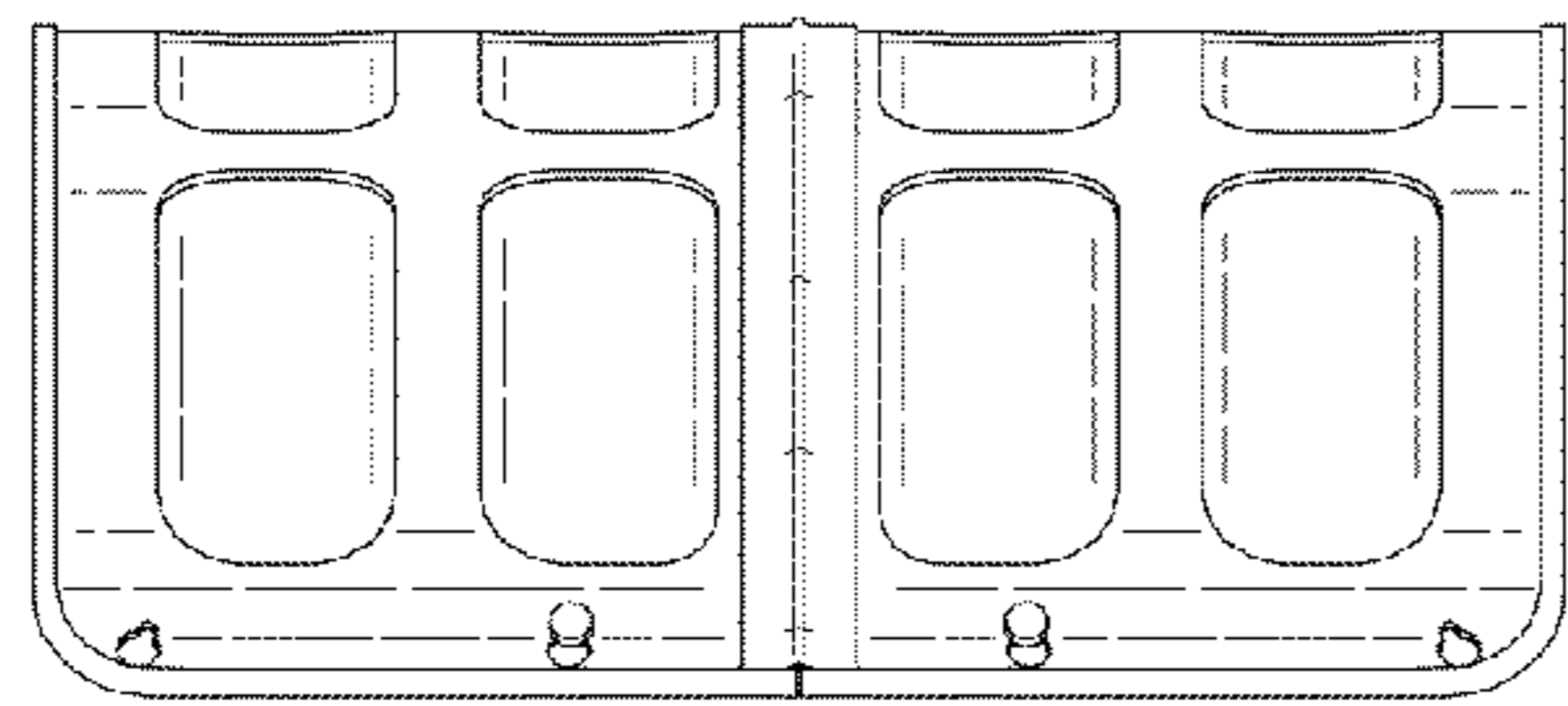


FIG. 53

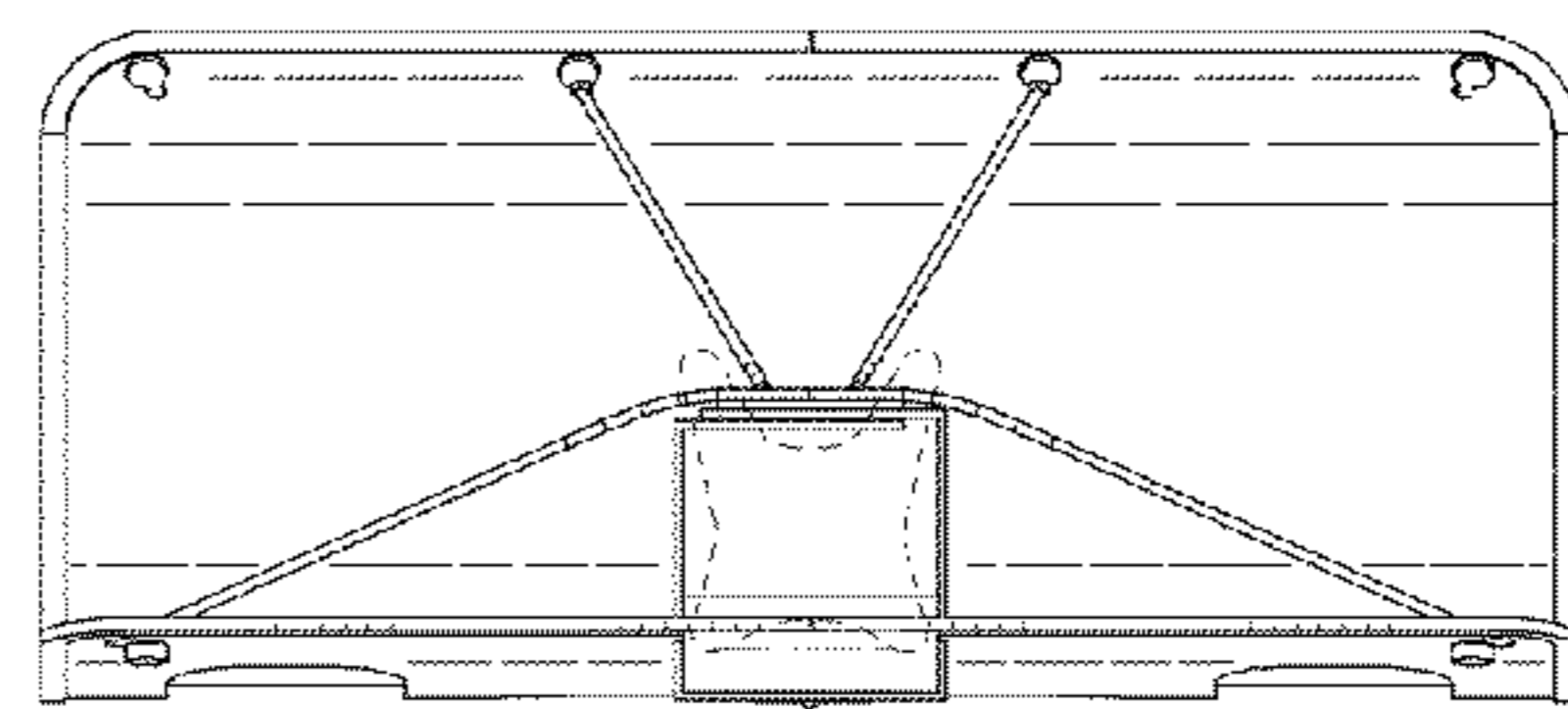


FIG. 54

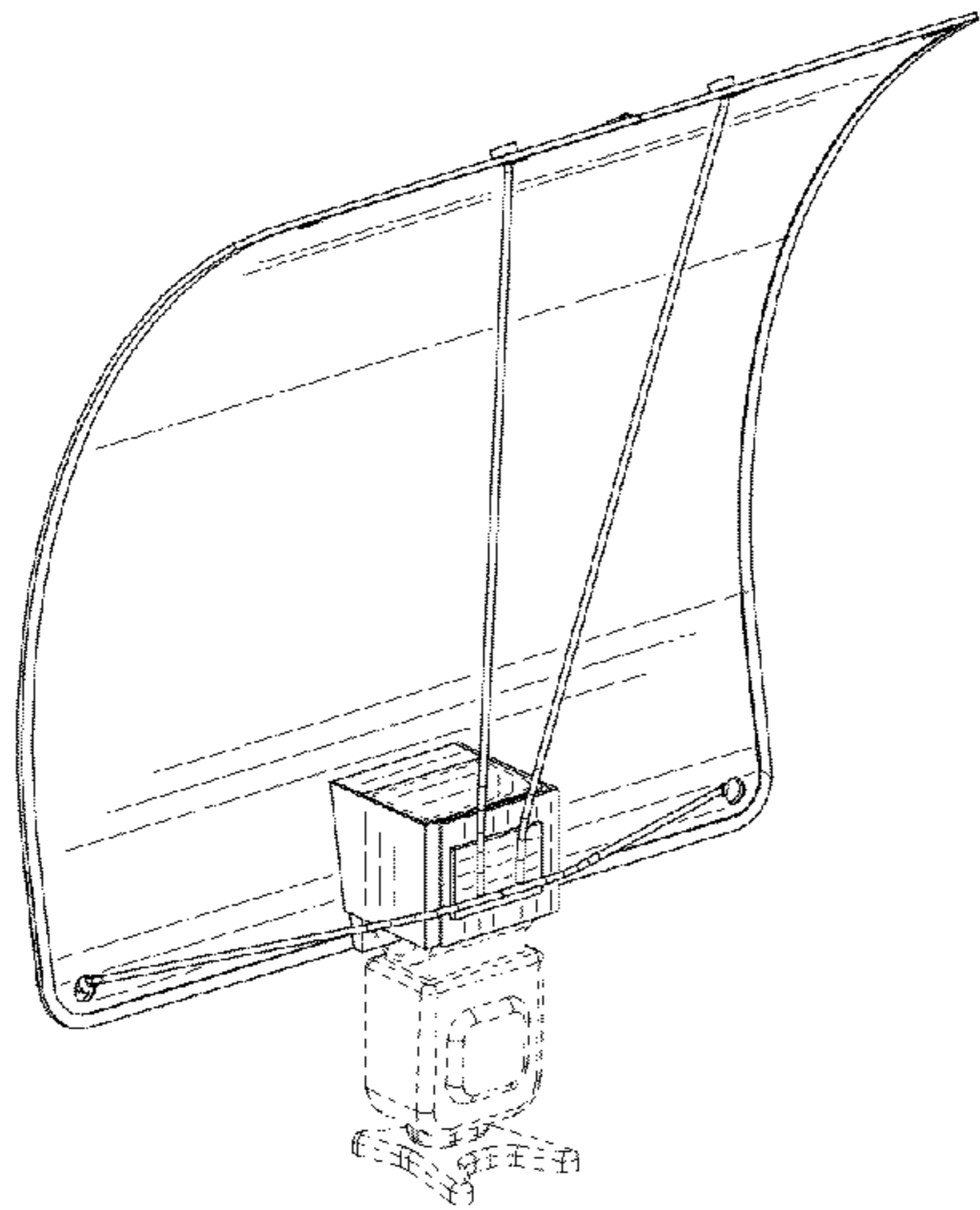


FIG. 55

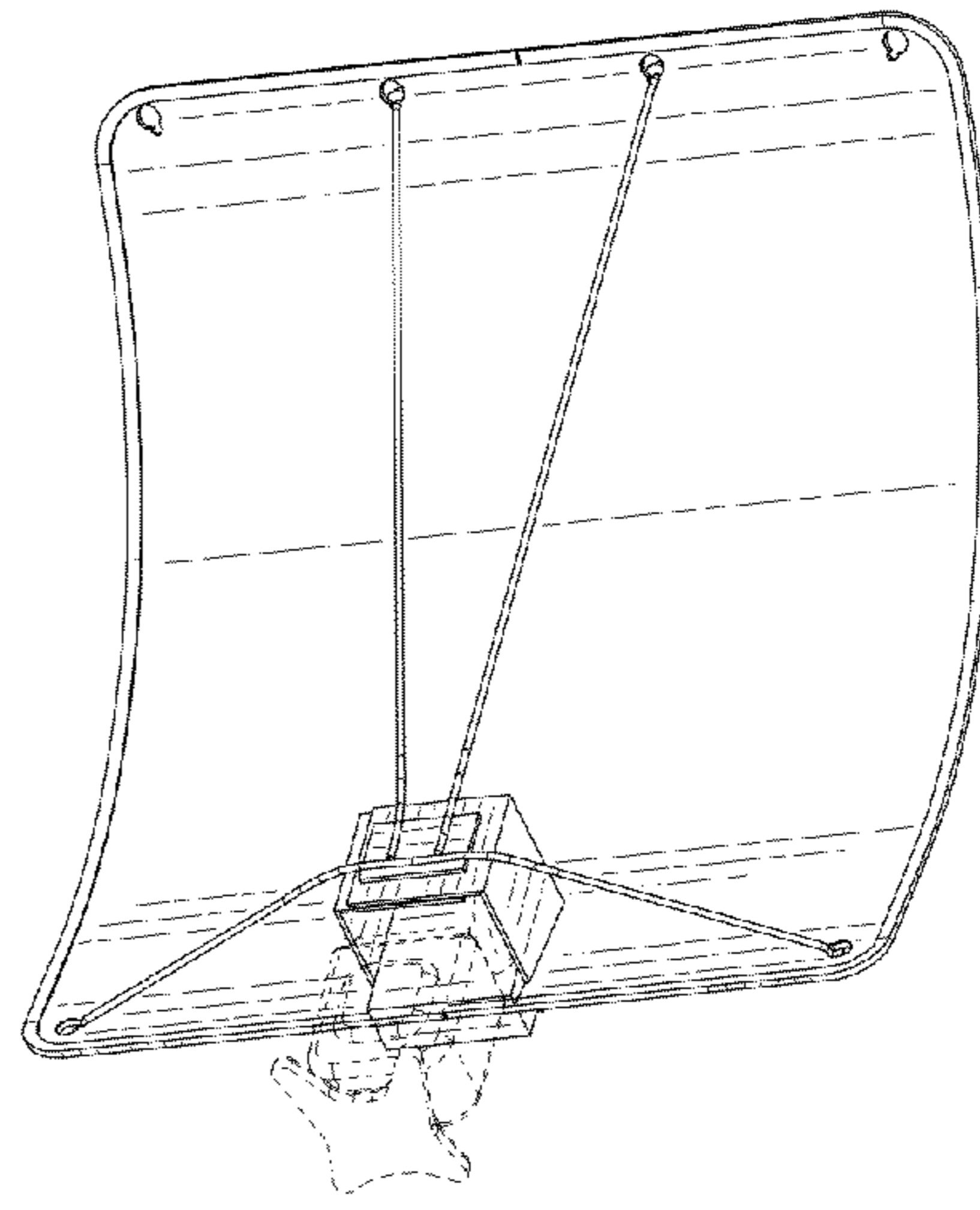


FIG. 56