



US00D710925S

(12) **United States Design Patent**  
**Tabuchi**

(10) **Patent No.:** **US D710,925 S**

(45) **Date of Patent:** **\*\* Aug. 12, 2014**

(54) **PROJECTOR**

8,333,477 B2 \* 12/2012 Kamiya et al. .... 353/119  
D685,016 S \* 6/2013 Senda et al. .... D16/230  
8,540,380 B2 \* 9/2013 Okoshi ..... 353/119

(71) Applicant: **Elmo i-tech Co., Ltd.**, Osaka (JP)

(72) Inventor: **Junichiro Tabuchi**, Osaka (JP)

(73) Assignee: **Elmo i-tech Co., Ltd.**, Osaka (JP)

(\*\*) Term: **14 Years**

(21) Appl. No.: **29/443,701**

(22) Filed: **Jan. 22, 2013**

(30) **Foreign Application Priority Data**

Aug. 9, 2012 (JP) ..... D2012-019183

(51) **LOC (10) Cl.** ..... **16-02**

(52) **U.S. Cl.**  
USPC ..... **D16/230**

(58) **Field of Classification Search**  
USPC ..... D16/205, 208, 221, 225, 230–231, 234;  
D21/514; 353/39, 119, 115, 122  
See application file for complete search history.

(56) **References Cited**

**U.S. PATENT DOCUMENTS**

D608,814 S \* 1/2010 Nagase ..... D16/230  
D638,048 S \* 5/2011 Kim et al. .... D16/230  
D664,585 S \* 7/2012 Senda et al. .... D16/230  
D670,322 S \* 11/2012 Lee et al. .... D16/230

**FOREIGN PATENT DOCUMENTS**

CN 302064257 \* 9/2012

\* cited by examiner

*Primary Examiner* — Wan Laymon

(74) *Attorney, Agent, or Firm* — Posz Law Group, PLC

(57) **CLAIM**

The ornamental design for a projector, as shown and described.

**DESCRIPTION**

FIG. 1 is a front, top, and right side perspective view of the projector.

FIG. 2 is a front view of the projector.

FIG. 3 is a rear view of the projector.

FIG. 4 is a right side view of the projector.

FIG. 5 is a left side view of the projector.

FIG. 6 is a top view of the projector.

FIG. 7 is a bottom view of the projector; and,

FIG. 8 is a rear, top, and left side perspective view of the projector.

The broken lines shown in the figures represent portions of the projector that form no part of the claimed design.

**1 Claim, 8 Drawing Sheets**

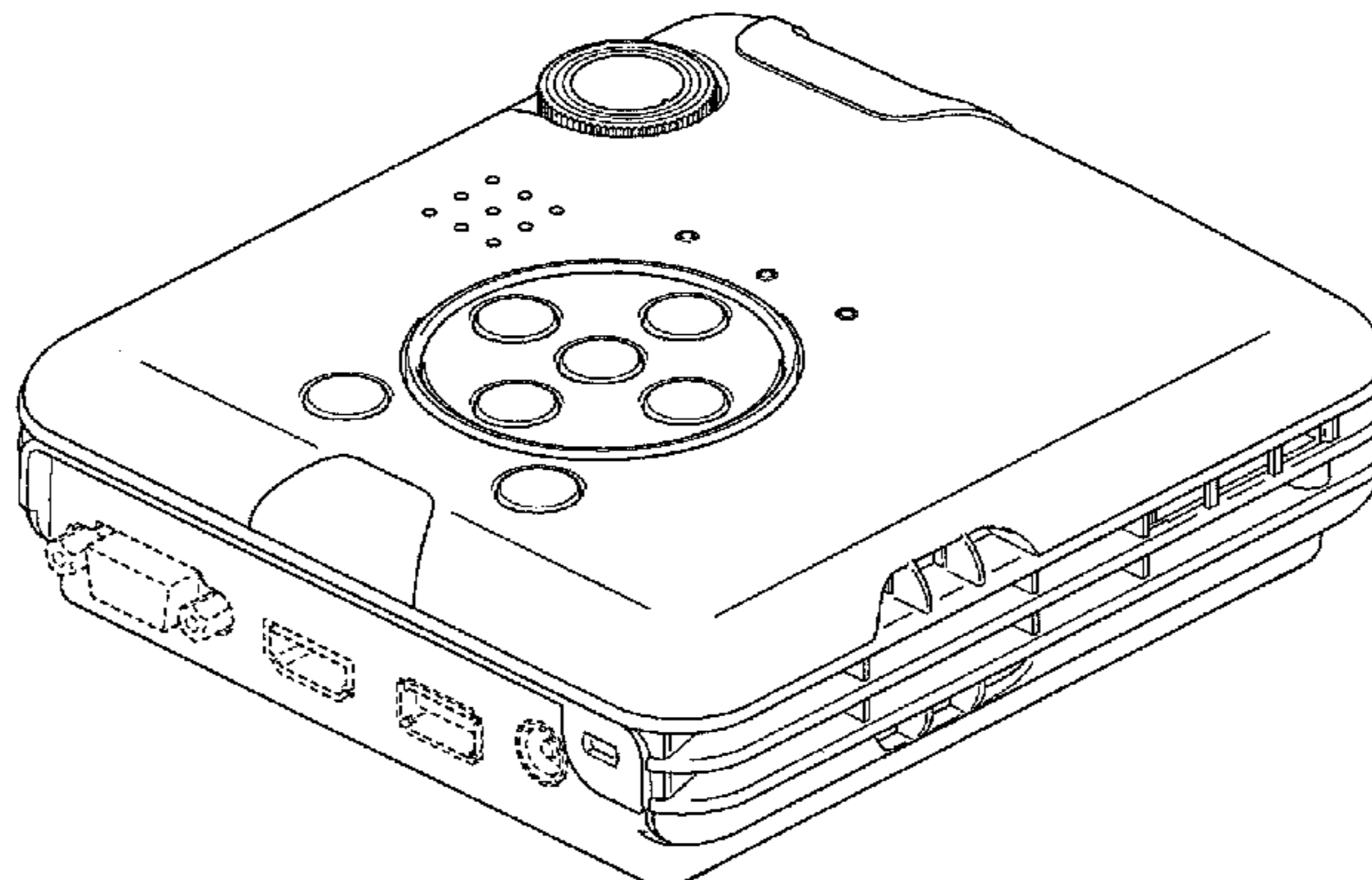
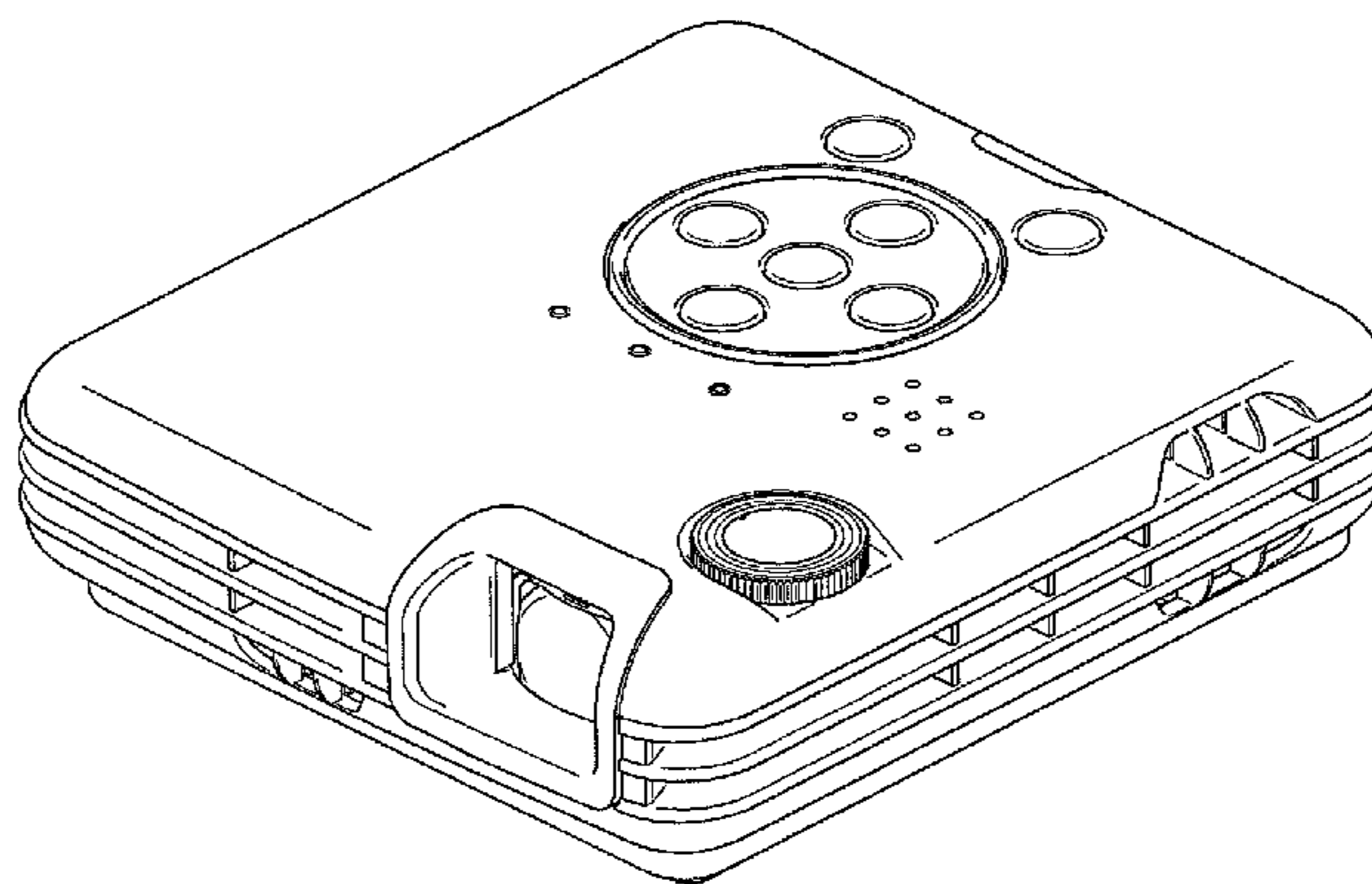


FIG. 1

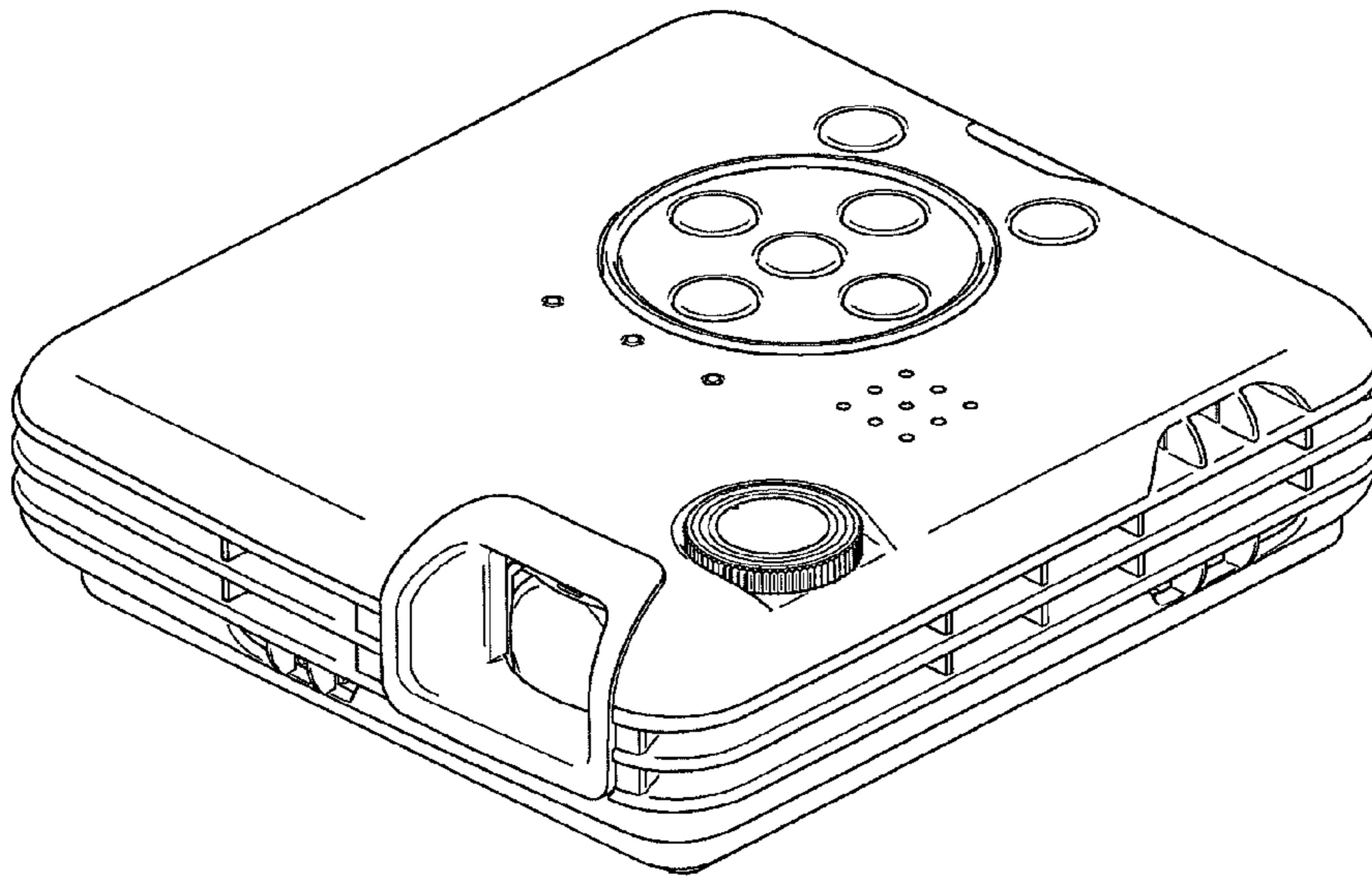


FIG. 2

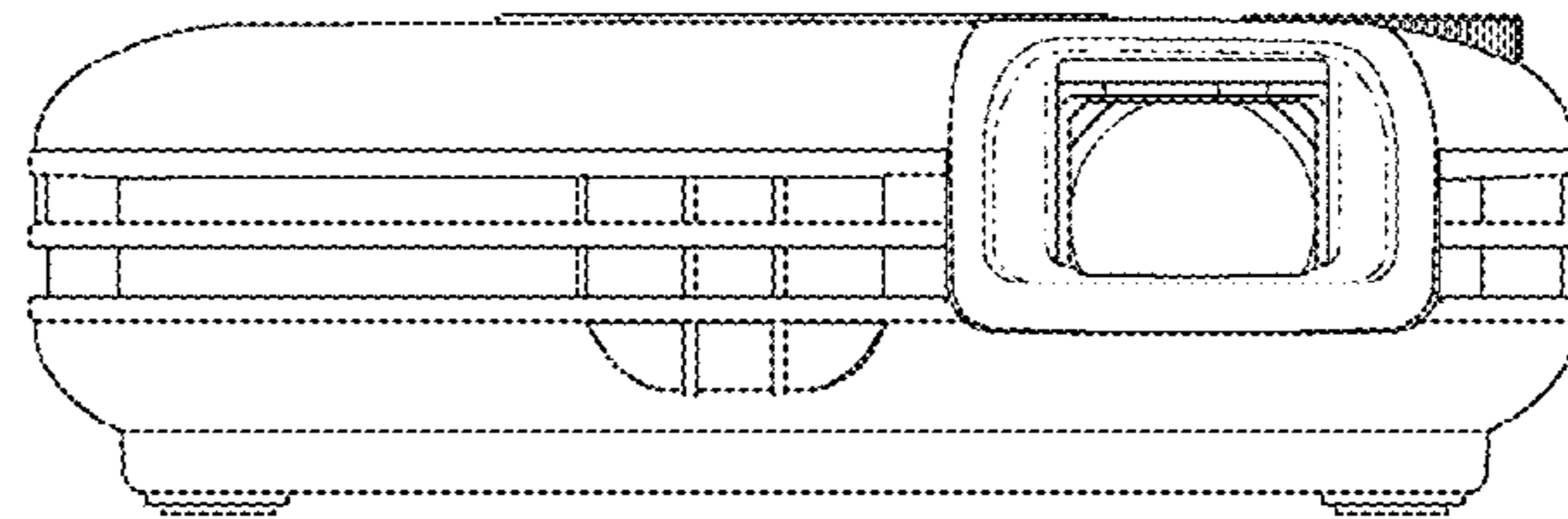


FIG. 3

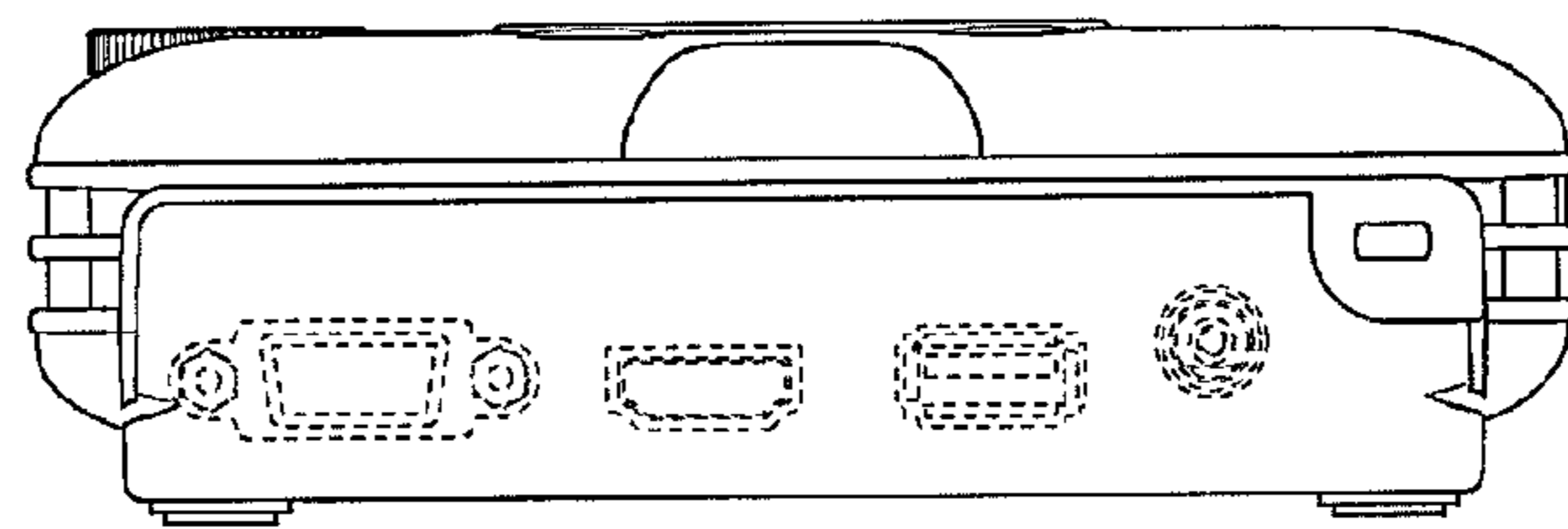


FIG. 4

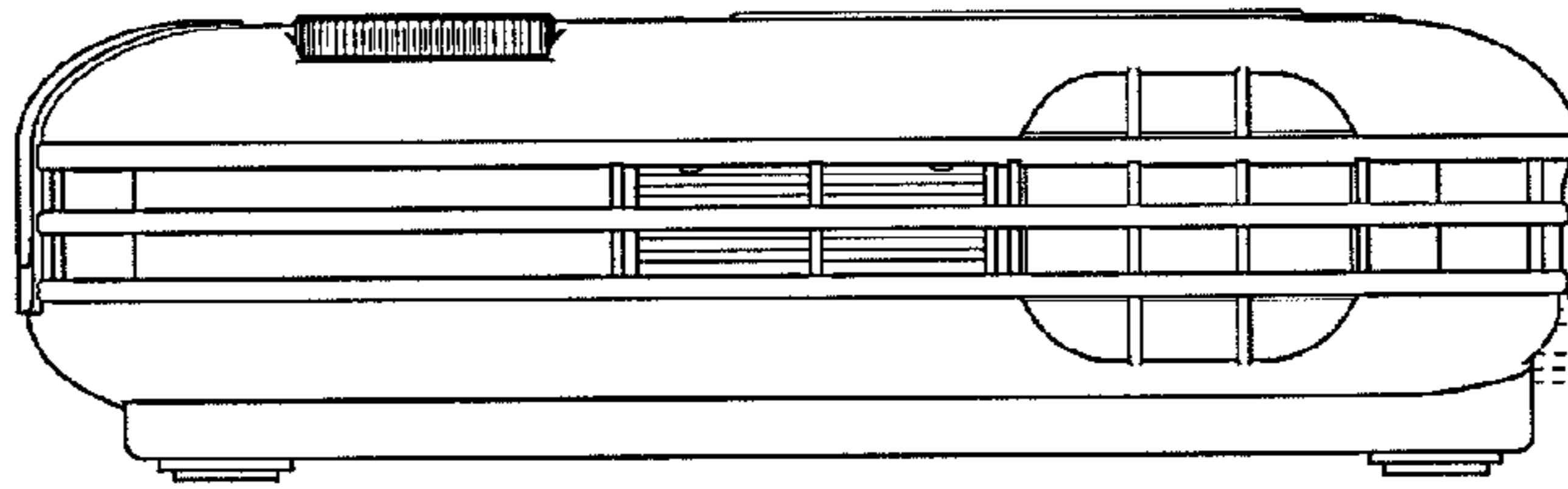


FIG. 5

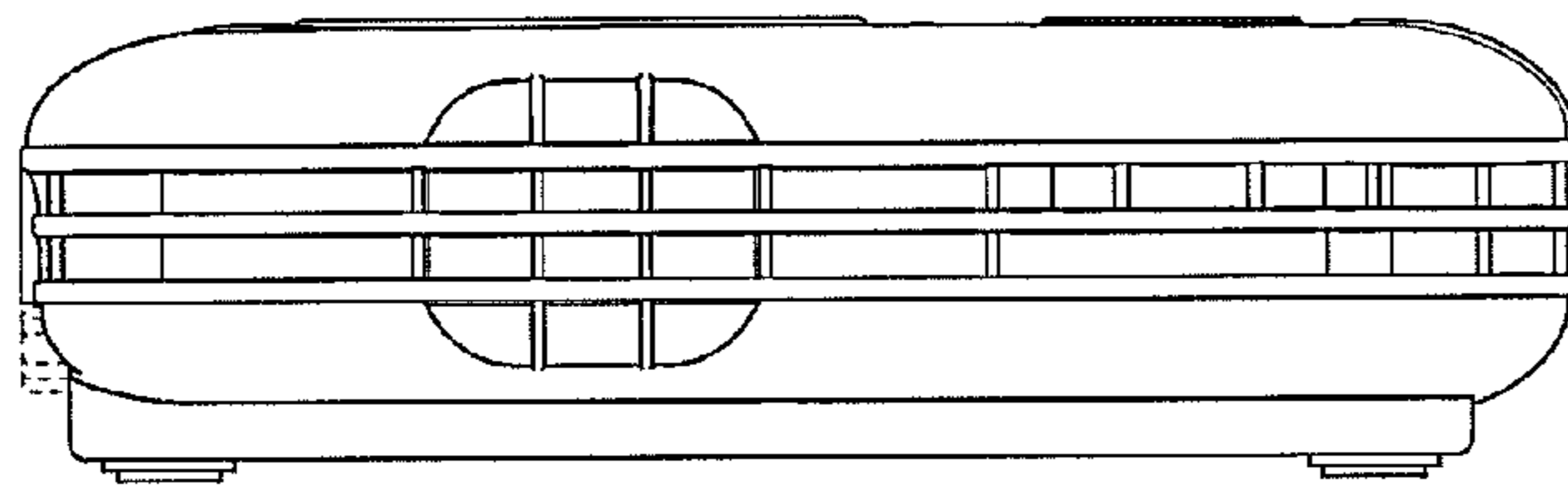


FIG. 6

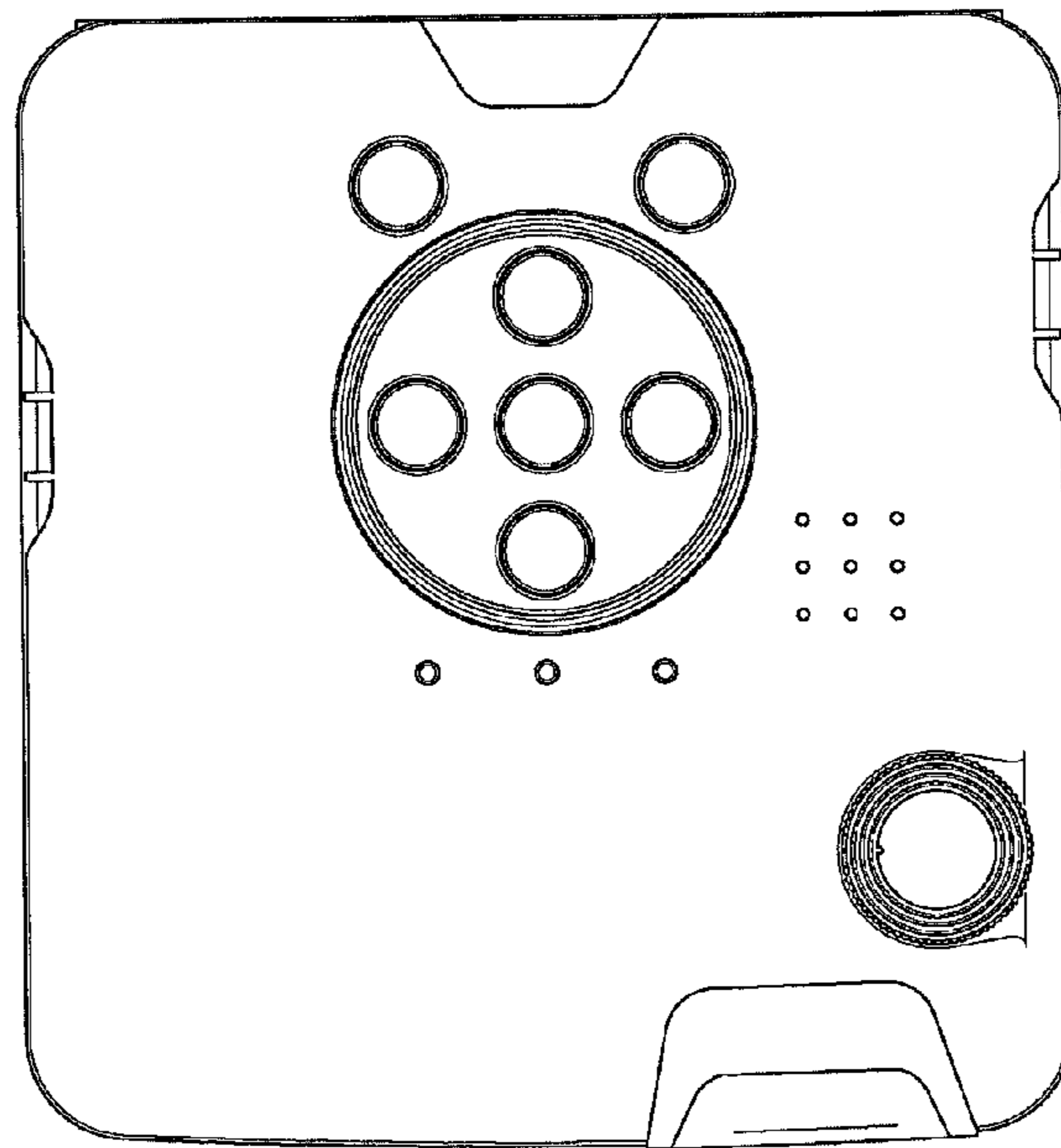


FIG. 7

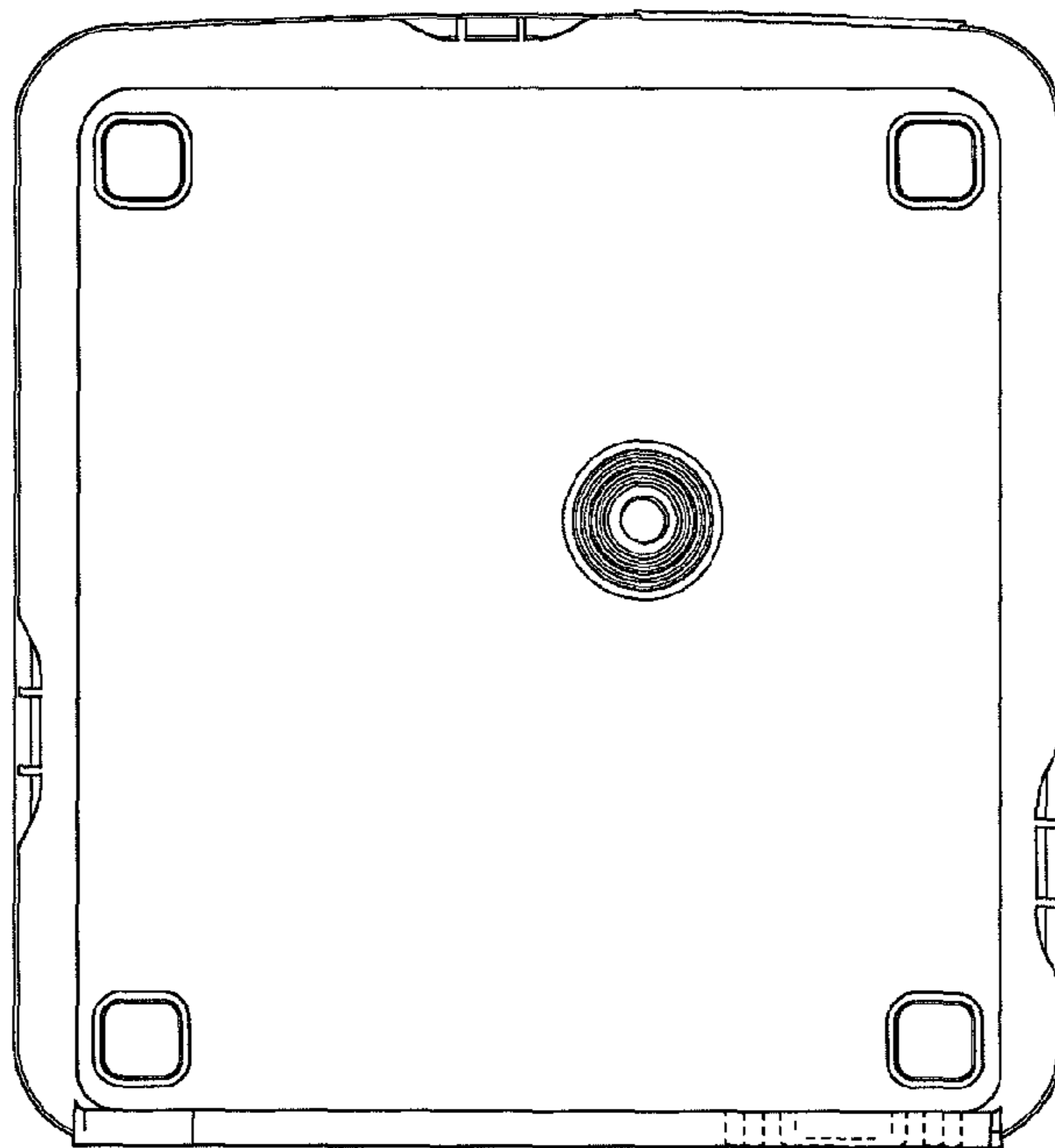




FIG. 8

