



US00D710923S

(12) **United States Design Patent**
Watanabe

(10) **Patent No.:** **US D710,923 S**
(45) **Date of Patent:** **** Aug. 12, 2014**

(54) **DIGITAL CAMERA**

(71) Applicant: **Nikon Corporation**, Tokyo (JP)

(72) Inventor: **Sumito Watanabe**, Yokohama (JP)

(73) Assignee: **Nikon Corporation**, Tokyo (JP)

(**) Term: **14 Years**

(21) Appl. No.: **29/459,087**

(22) Filed: **Jun. 25, 2013**

(30) **Foreign Application Priority Data**

Dec. 27, 2012 (JP) 2012-031909

(51) **LOC (10) Cl.** **16-01**

(52) **U.S. Cl.**

USPC **D16/202**; D16/219

(58) **Field of Classification Search**

USPC D16/202, 204, 208, 218, 219;
348/373-376; 358/909.1; 396/535,
396/540, 541, 543

See application file for complete search history.

(56) **References Cited**

U.S. PATENT DOCUMENTS

D596,214 S * 7/2009 Kim et al. D16/218
7,646,426 B2 * 1/2010 Saiki et al. 348/373
D635,605 S * 4/2011 Katayama D16/202
8,014,667 B2 * 9/2011 Saiki 396/535
D650,409 S * 12/2011 Lee D16/202

D688,291 S * 8/2013 Yum D16/202
D695,328 S * 12/2013 Sul D16/202
D695,803 S * 12/2013 Kyunghan et al. D16/202

FOREIGN PATENT DOCUMENTS

JP 1450413 S 9/2012

* cited by examiner

Primary Examiner — Adir Aronovich

(74) *Attorney, Agent, or Firm* — Wolf, Greenfield & Sacks,
P.C.; Randy J. Pritzker

(57) **CLAIM**

The ornamental design for a digital camera, as shown and described.

DESCRIPTION

FIG. 1 is a top, front and right side perspective view of a digital camera showing my new design;
FIG. 2 is a top, rear and left side perspective view thereof;
FIG. 3 is a front elevational view thereof;
FIG. 4 is a rear elevational view thereof;
FIG. 5 is a top plan view thereof;
FIG. 6 is a bottom plan view thereof;
FIG. 7 is a right side elevational thereof; and,
FIG. 8 is a left side elevational thereof.

The features shown in broken lines in the drawings depict environmental subject matter only and form no part of the claims design. The dashed-dotted lines denote the boundary of the claim and form no part of the claimed design.

1 Claim, 8 Drawing Sheets

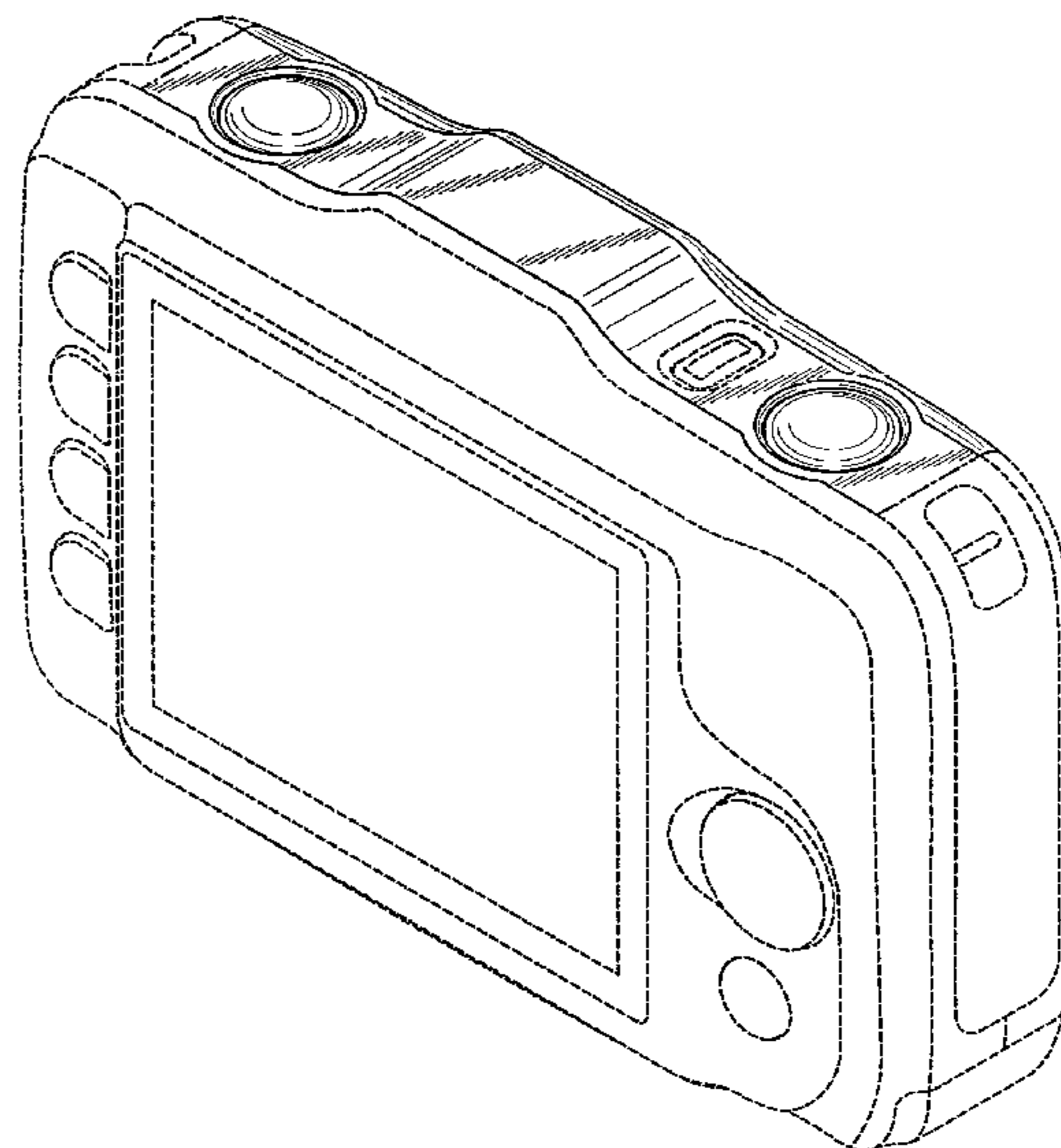
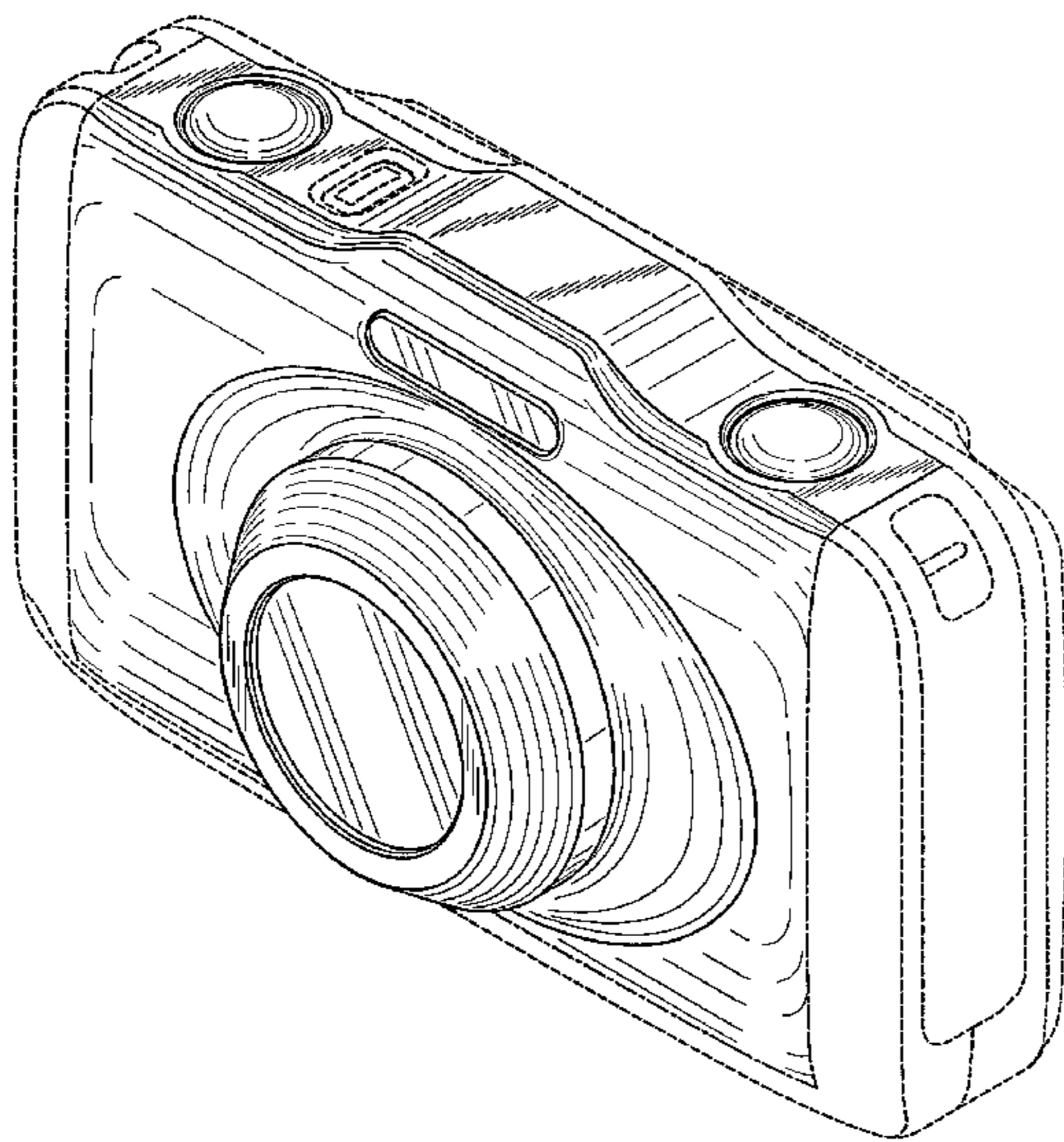


FIG. 1

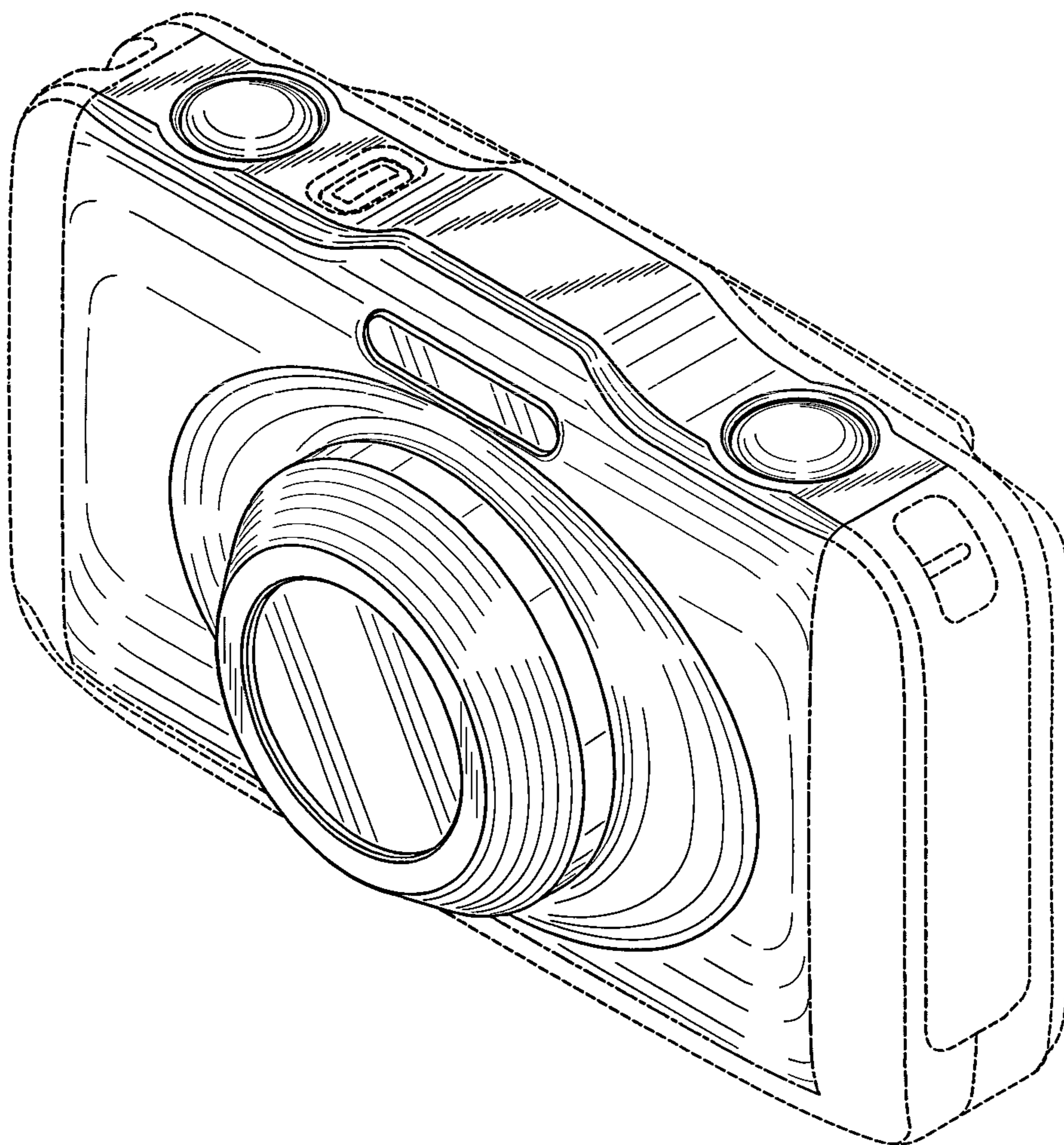


FIG. 2

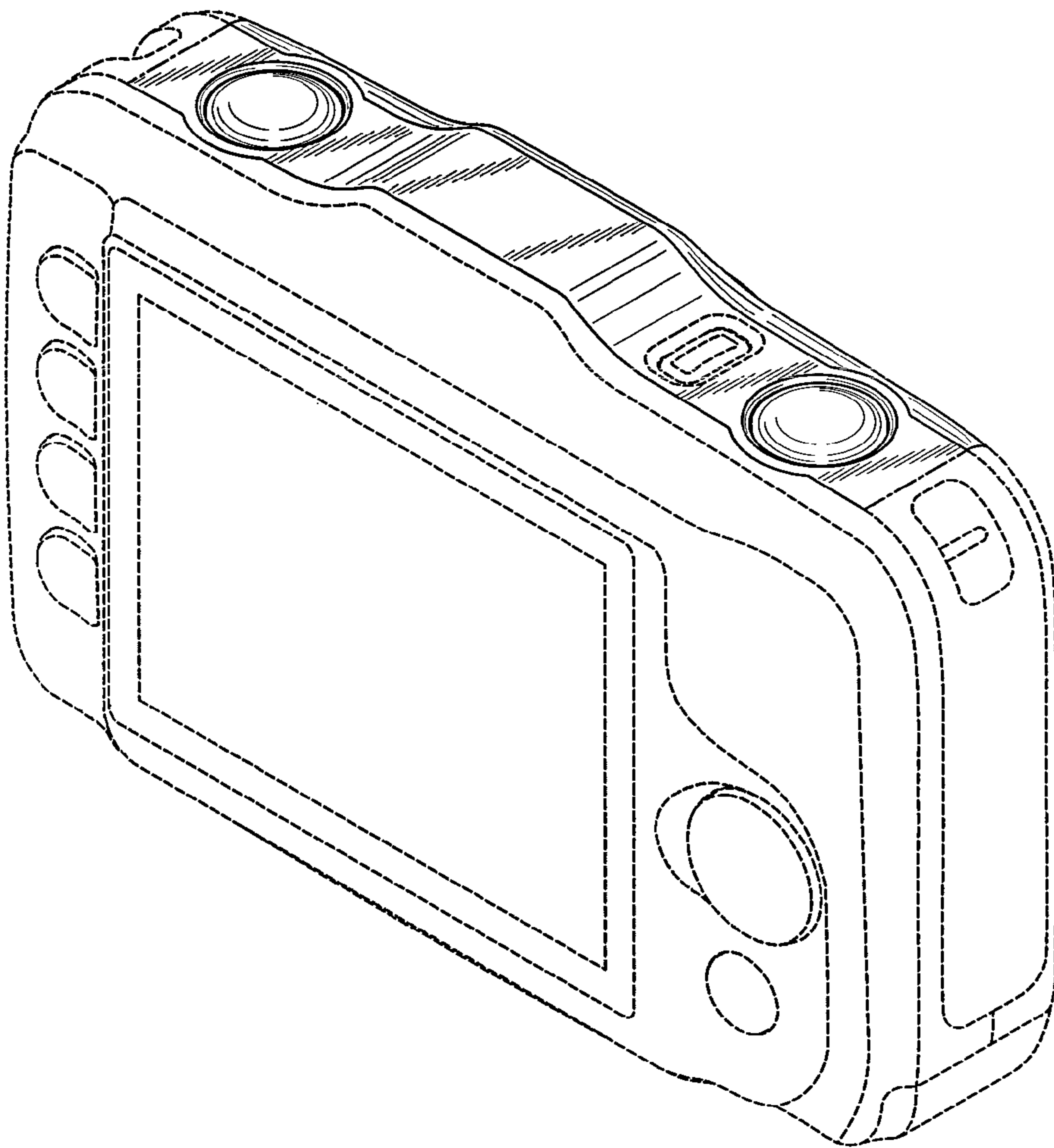


FIG. 3

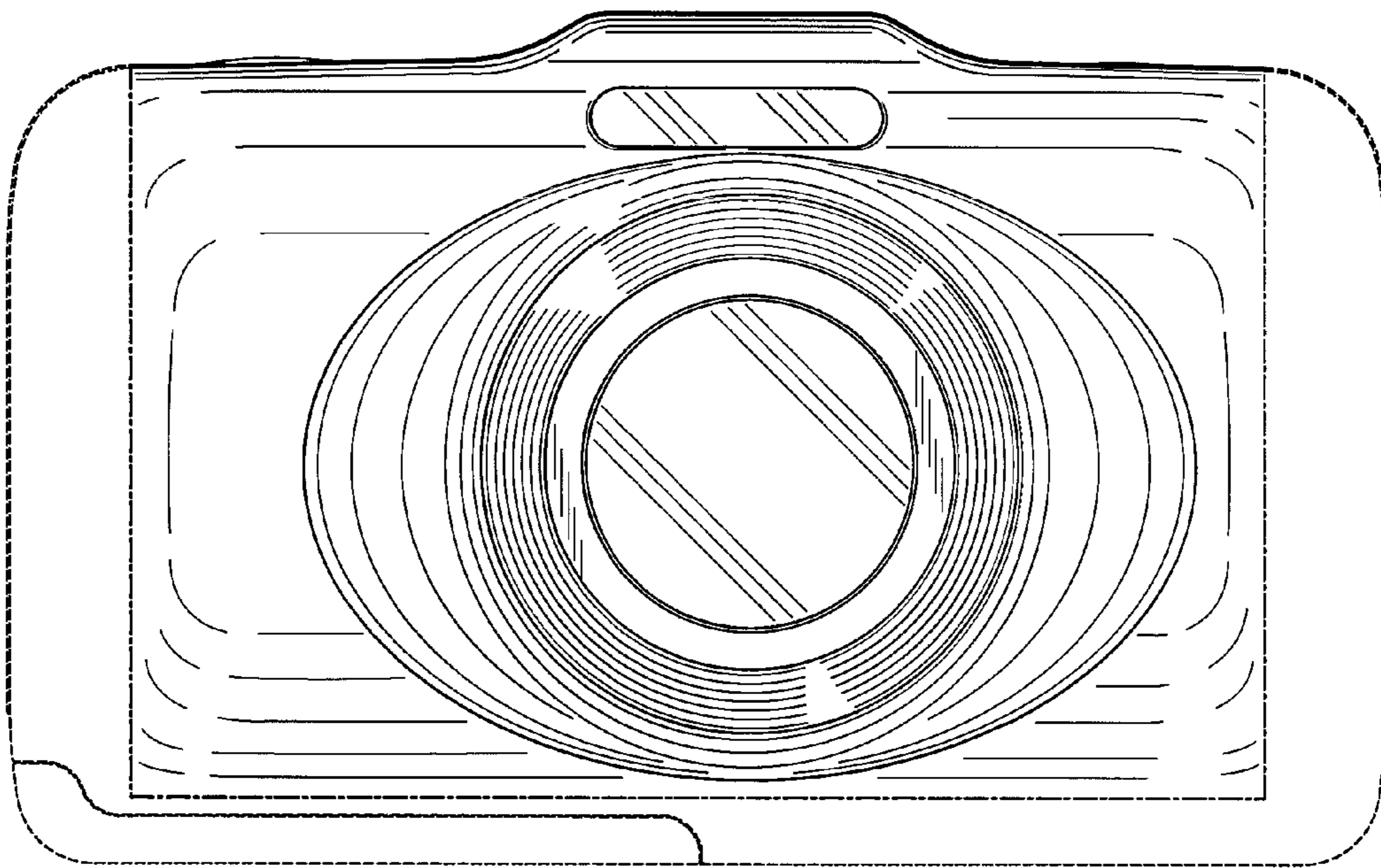


FIG. 4

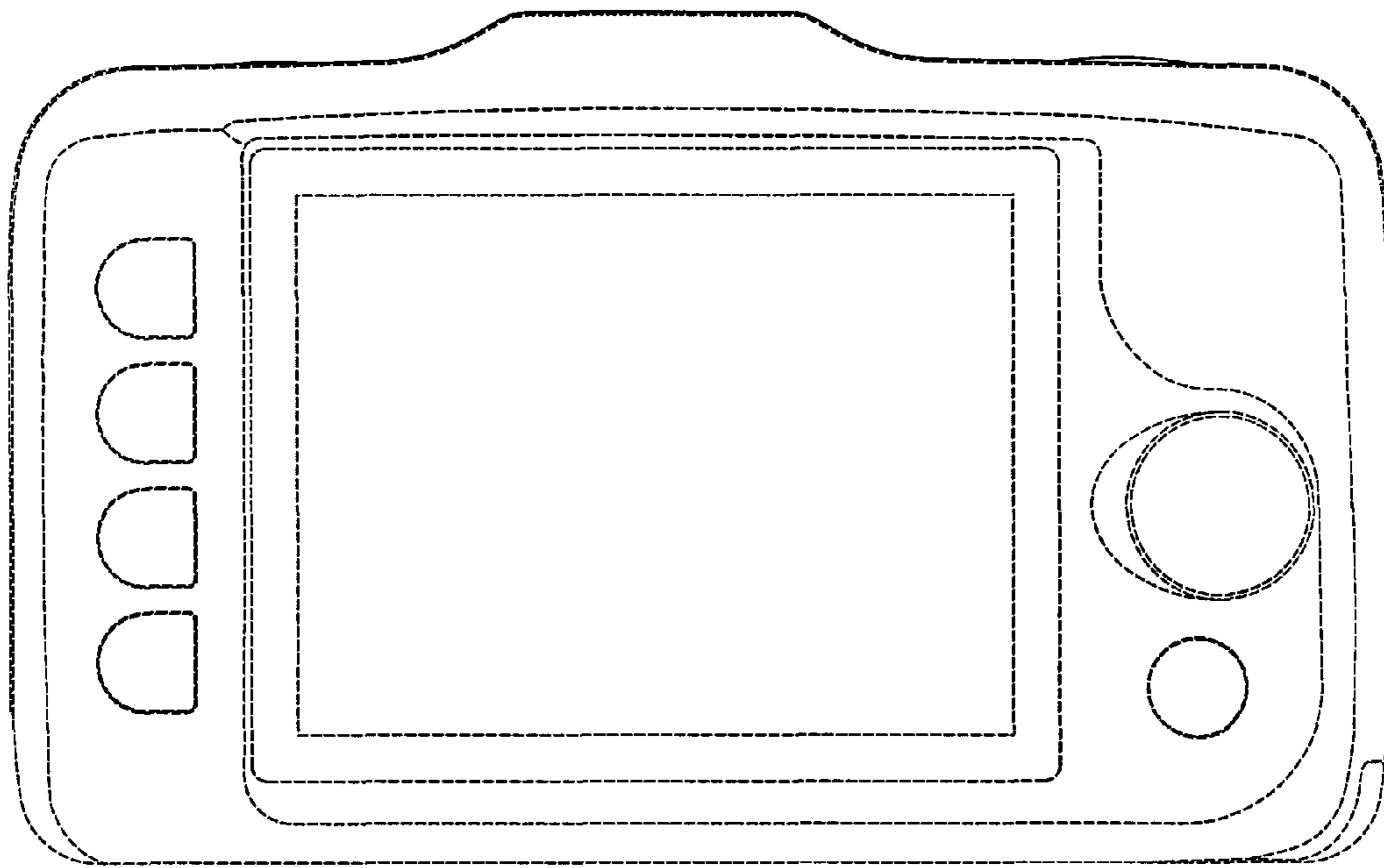


FIG. 5

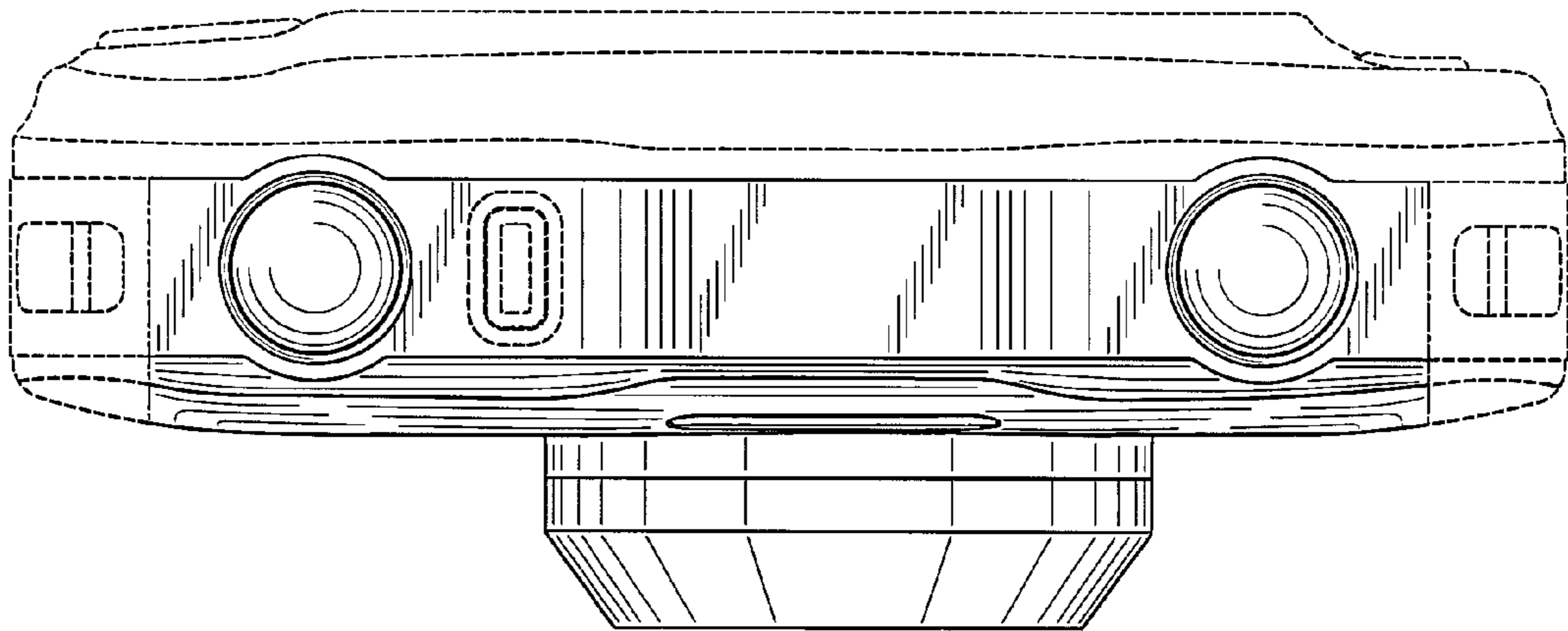


FIG. 6

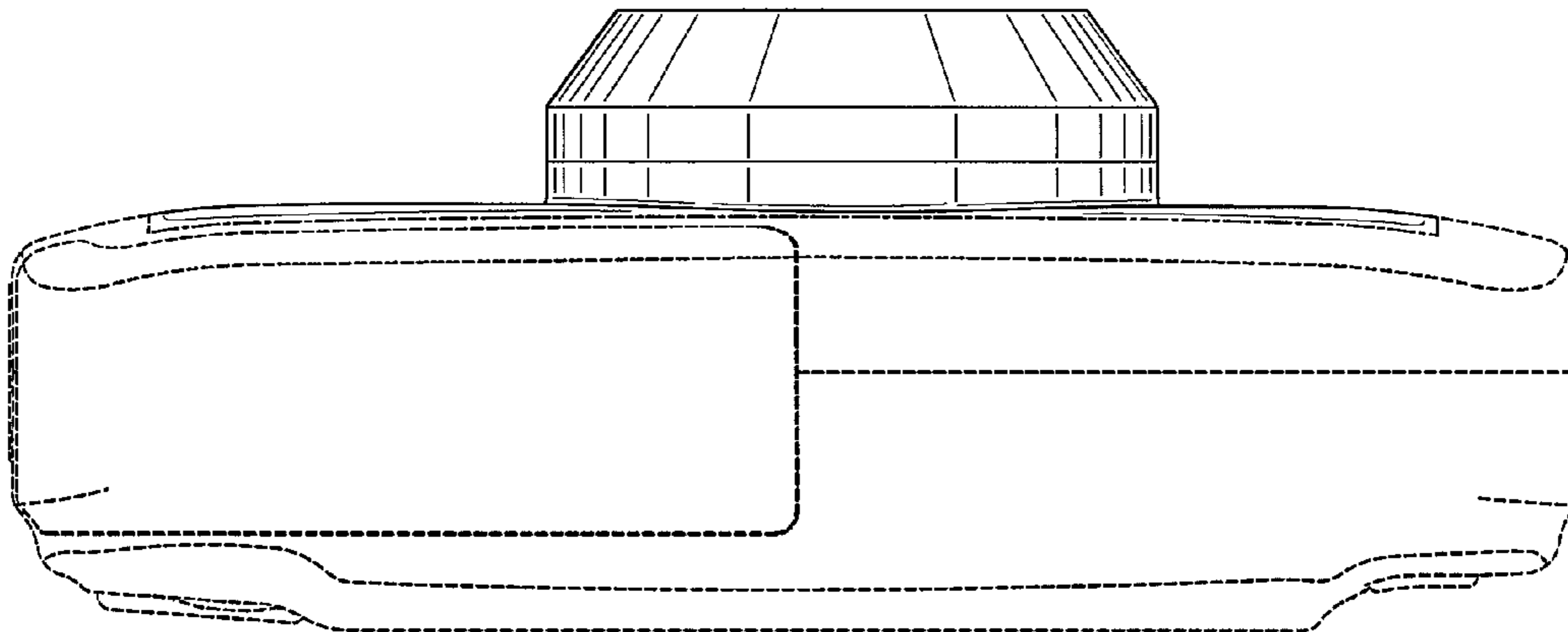


FIG. 7

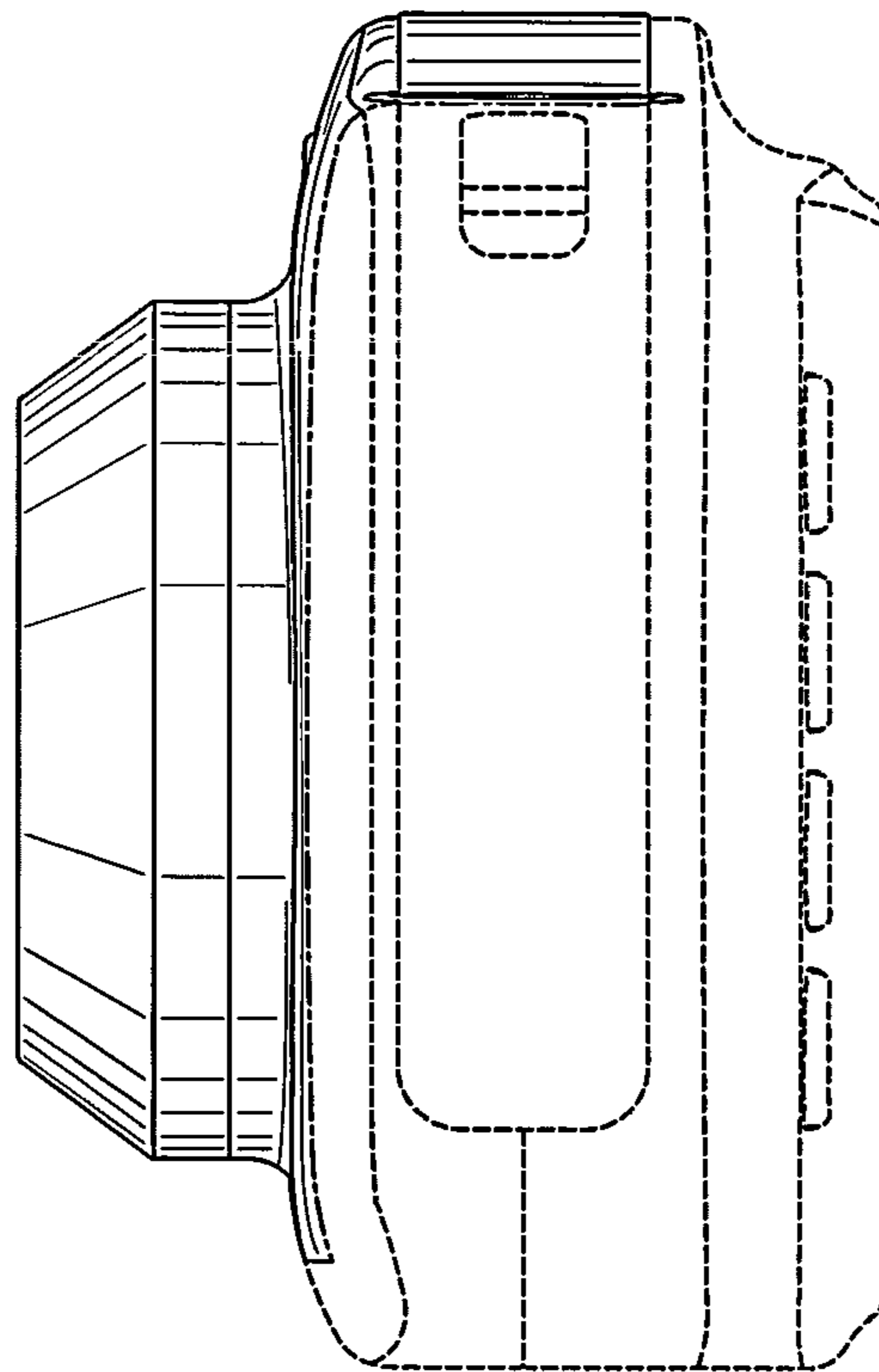


FIG. 8

