



US00D710922S

(12) **United States Design Patent**  
**Gioscia et al.**

(10) **Patent No.:** **US D710,922 S**  
(45) **Date of Patent:** **\*\* Aug. 12, 2014**

(54) **CAMERA HOUSING**

(71) Applicant: **Woodman Labs, Inc.**, San Mateo, CA (US)

(72) Inventors: **Richard Gioscia**, Santa Clara, CA (US);  
**Seunghoon Lee**, Cupertino, CA (US);  
**Derek Yap**, San Carlos, CA (US); **Evan L. Coons**, San Mateo, CA (US); **Joshua P. Davies**, Fremont, CA (US)

(73) Assignee: **Gopro, Inc.**, San Mateo, CA (US)

(\*\*) Term: **14 Years**

(21) Appl. No.: **29/461,141**

(22) Filed: **Jul. 18, 2013**

(51) **LOC (10) Cl.** ..... **16-01**

(52) **U.S. Cl.**  
USPC ..... **D16/200; D16/218**

(58) **Field of Classification Search**  
CPC ..... G03B 15/03; G03B 17/02; G03B 17/04;  
G03B 17/08; G03B 17/56; G03B 19/04;  
H04N 5/2251; H04N 5/2252; H04N 5/2253;  
H04N 5/2254; A45C 11/38  
USPC ..... D3/267; D16/200, 202-204, 208, 211,  
D16/218, 219, 242; 248/176.1, 187.1;  
348/81, 373-376; 396/25, 27, 29, 419,  
396/535, 539-541; 206/316.2

See application file for complete search history.

(56) **References Cited**

**U.S. PATENT DOCUMENTS**

D419,296 S \* 1/2000 Shinano ..... D3/267  
D453,177 S \* 1/2002 Uehara ..... D16/204  
D550,742 S \* 9/2007 Ishii ..... D16/218

D621,432 S \* 8/2010 Yim ..... D16/204  
8,014,656 B2 \* 9/2011 Woodman ..... 396/25  
D646,313 S \* 10/2011 Woodman ..... D16/200  
D647,554 S \* 10/2011 Yim ..... D16/204  
D657,808 S \* 4/2012 Woodman ..... D16/200  
D657,811 S \* 4/2012 Woodman ..... D16/219  
D674,428 S \* 1/2013 Woodman ..... D16/218  
D674,429 S \* 1/2013 Woodman ..... D16/218  
8,544,643 B2 \* 10/2013 Yim ..... 206/316.2  
8,596,890 B2 \* 12/2013 Yim et al. .... 396/419  
D702,276 S \* 4/2014 Woodman ..... D16/219  
D702,747 S \* 4/2014 Woodman et al. .... D16/200

\* cited by examiner

*Primary Examiner* — Adir Aronovich

*Assistant Examiner* — Ramzi Almatrahi

(74) *Attorney, Agent, or Firm* — Fenwick & West LLP

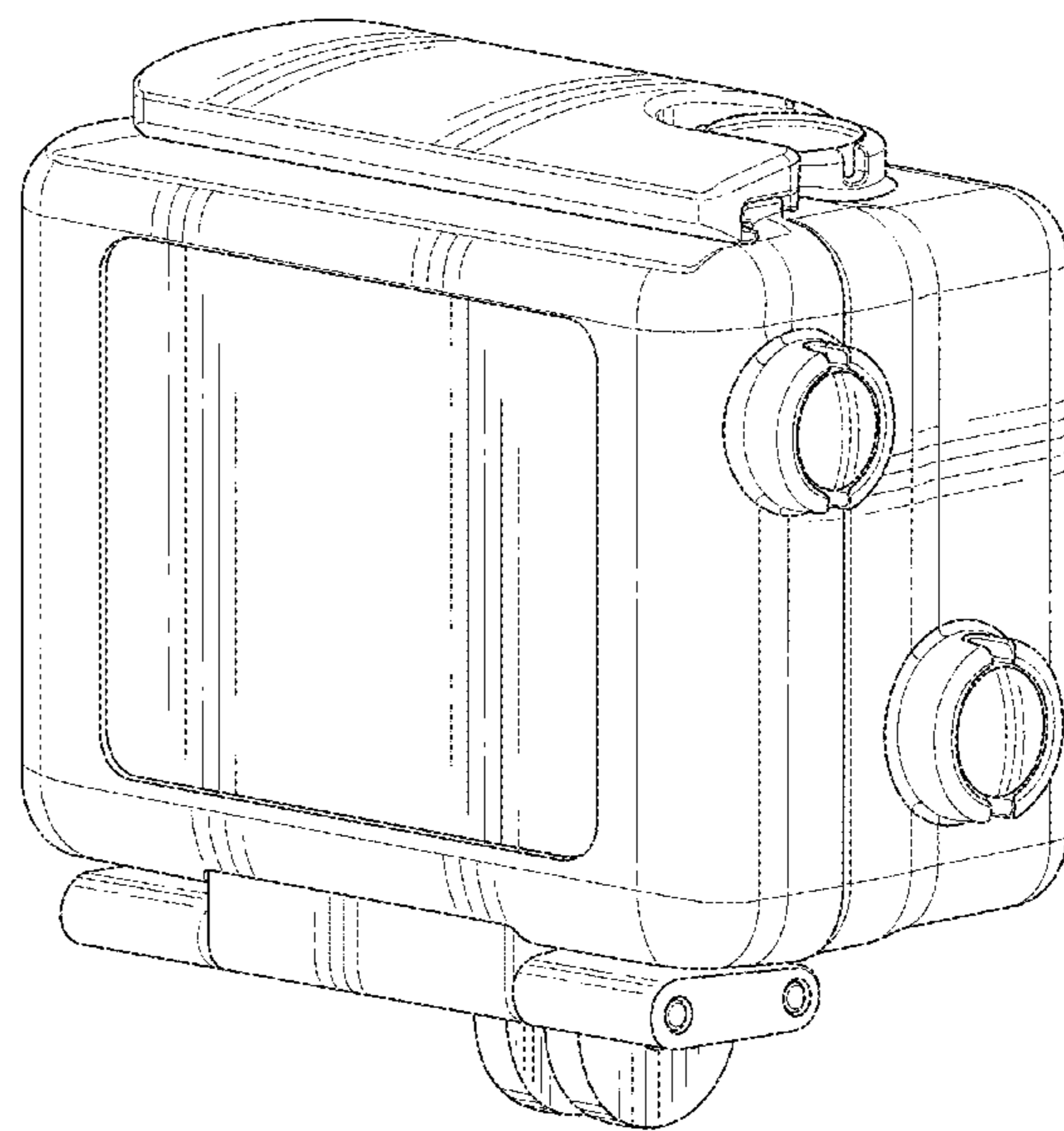
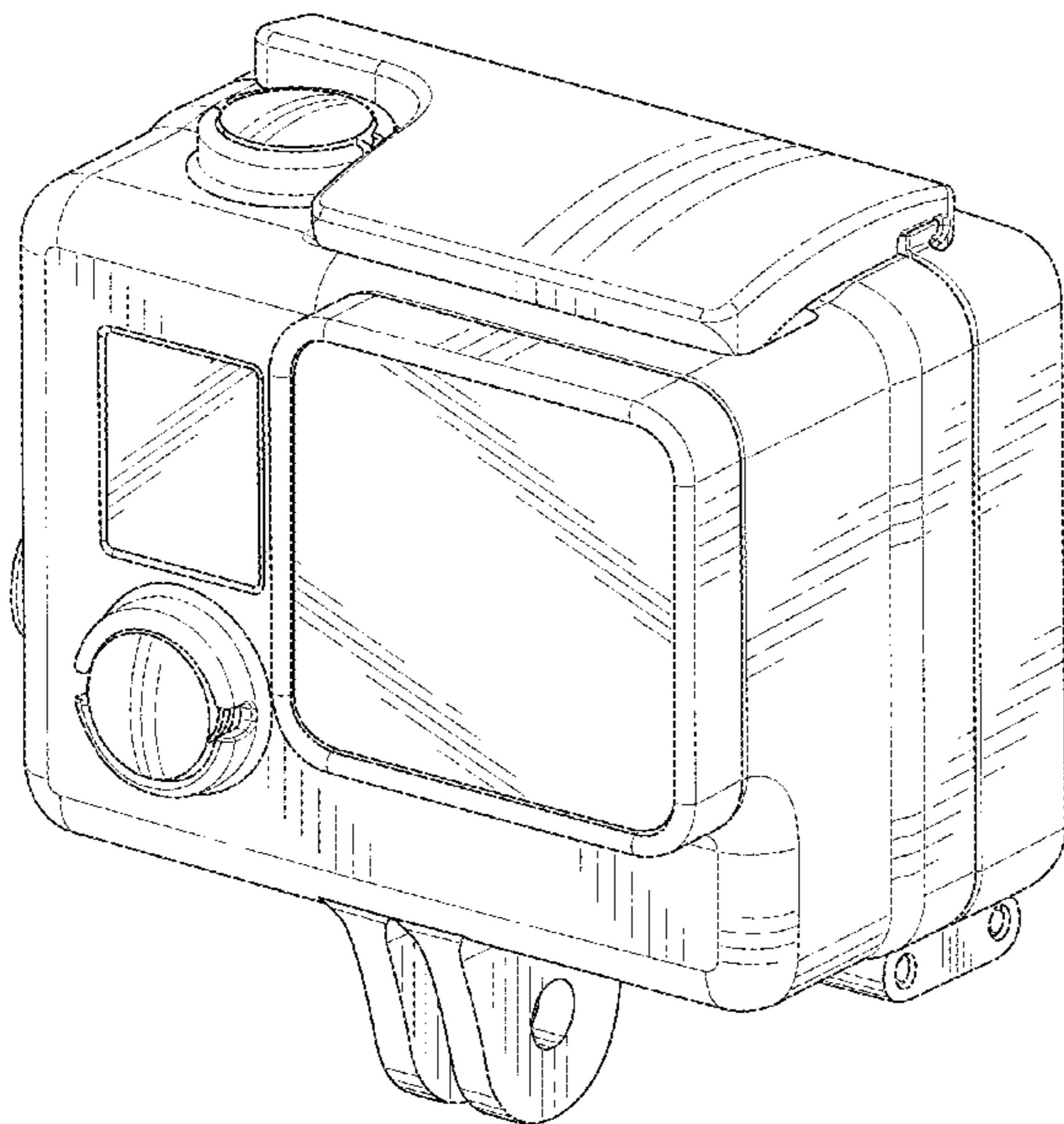
(57) **CLAIM**

The ornamental design for a camera housing, as shown and described.

**DESCRIPTION**

FIG. 1 is a front, top, and right side perspective view of a camera housing showing our new design;  
FIG. 2 is a front, bottom and left side perspective view thereof;  
FIG. 3 is a back, top and left side perspective view thereof;  
FIG. 4 is a back, bottom and right side perspective view thereof;  
FIG. 5 is a front elevational view thereof;  
FIG. 6 is a back elevational view thereof;  
FIG. 7 is a left side elevational view thereof;  
FIG. 8 is a right side elevational view thereof;  
FIG. 9 is a top plan view thereof; and,  
FIG. 10 is a bottom plan view thereof.

**1 Claim, 10 Drawing Sheets**



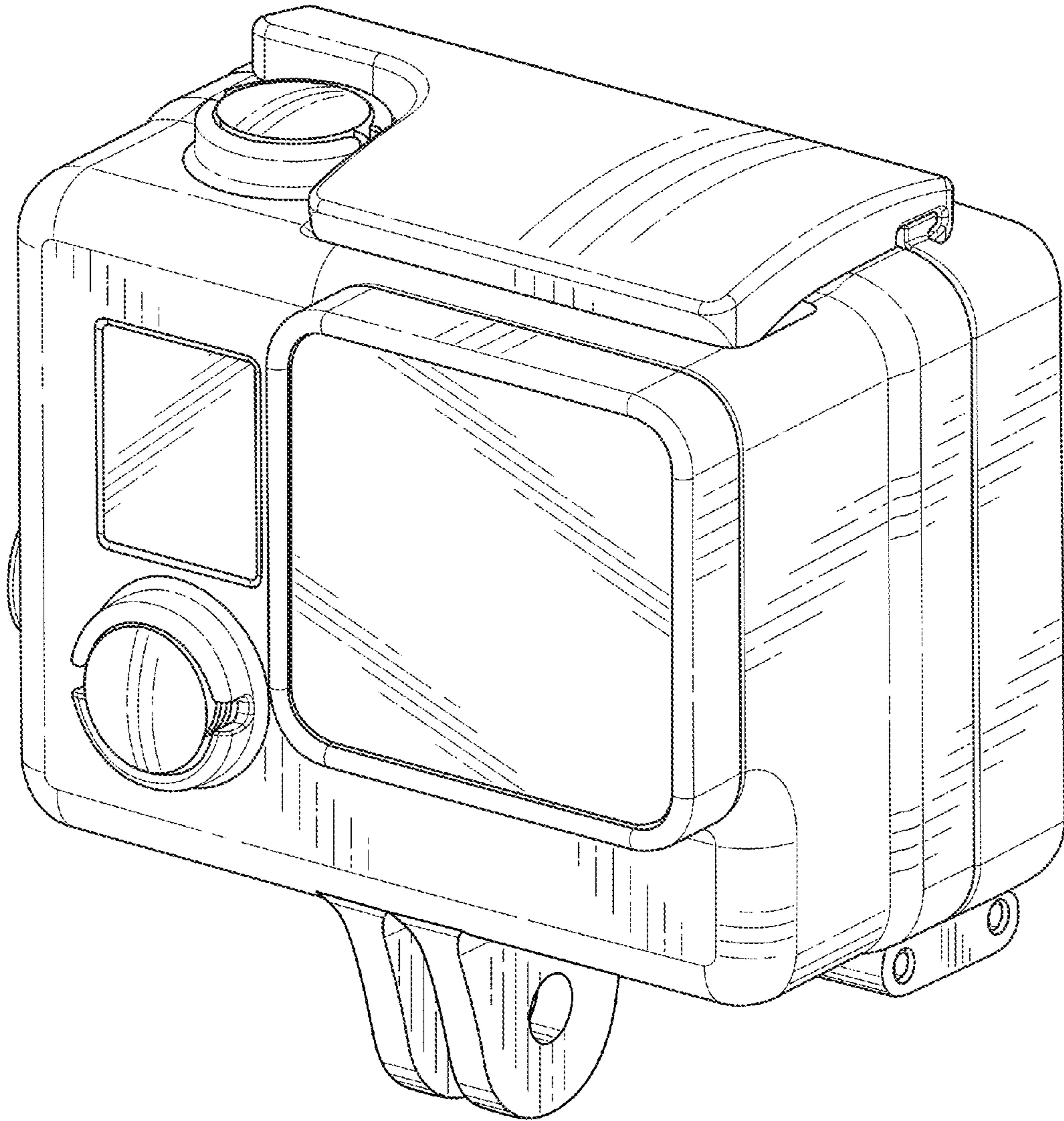


FIG. 1

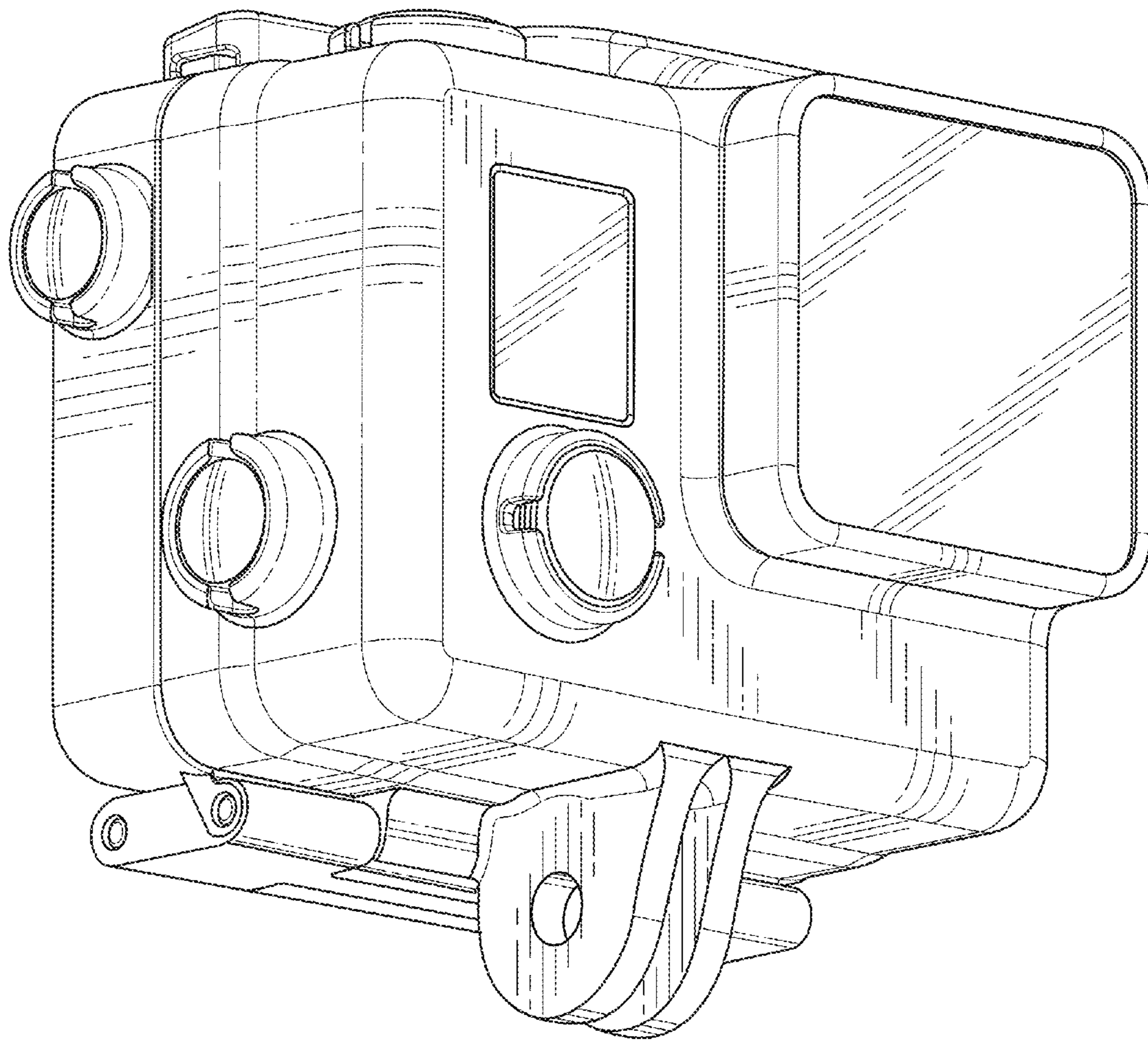


FIG. 2

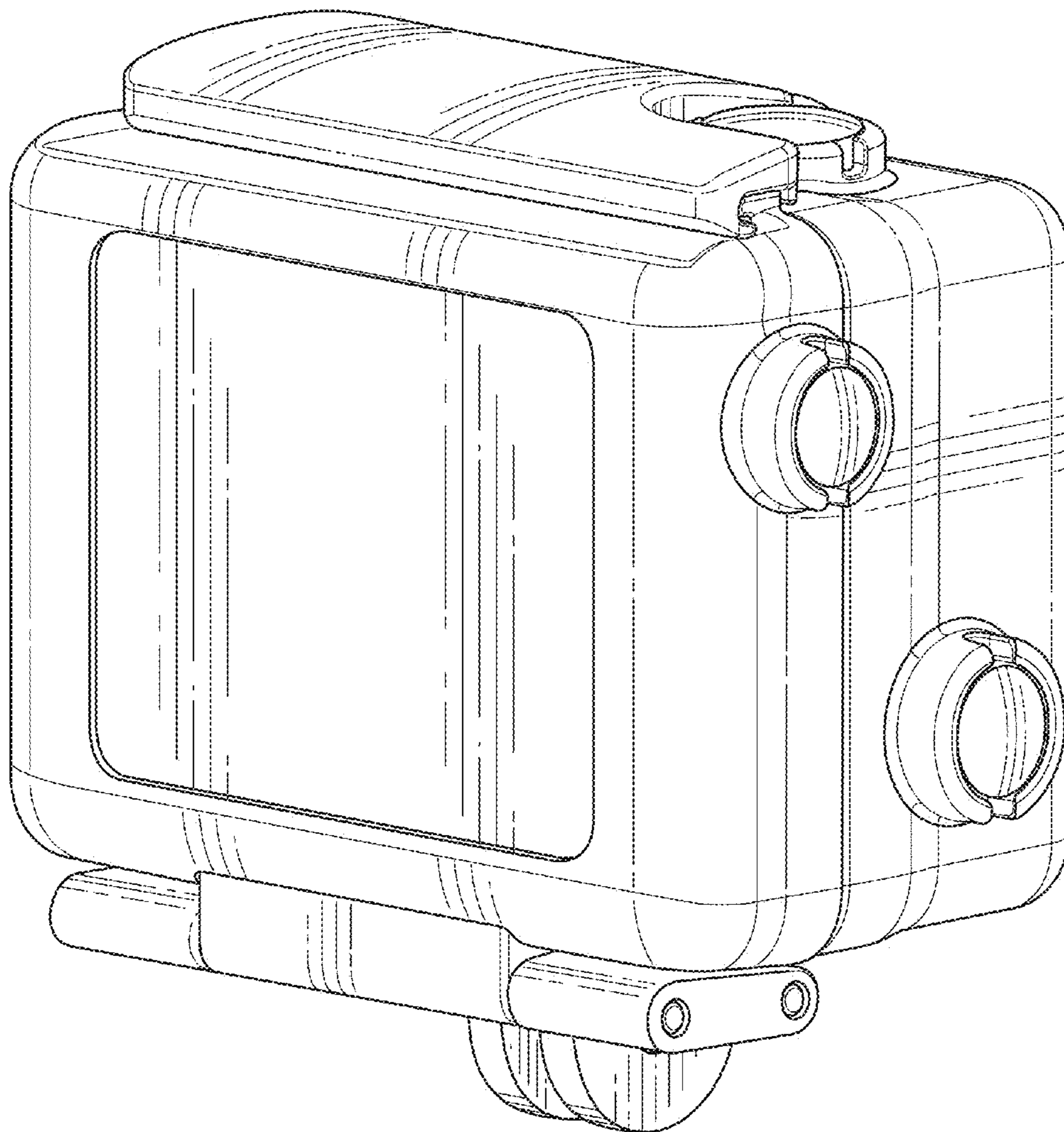


FIG. 3

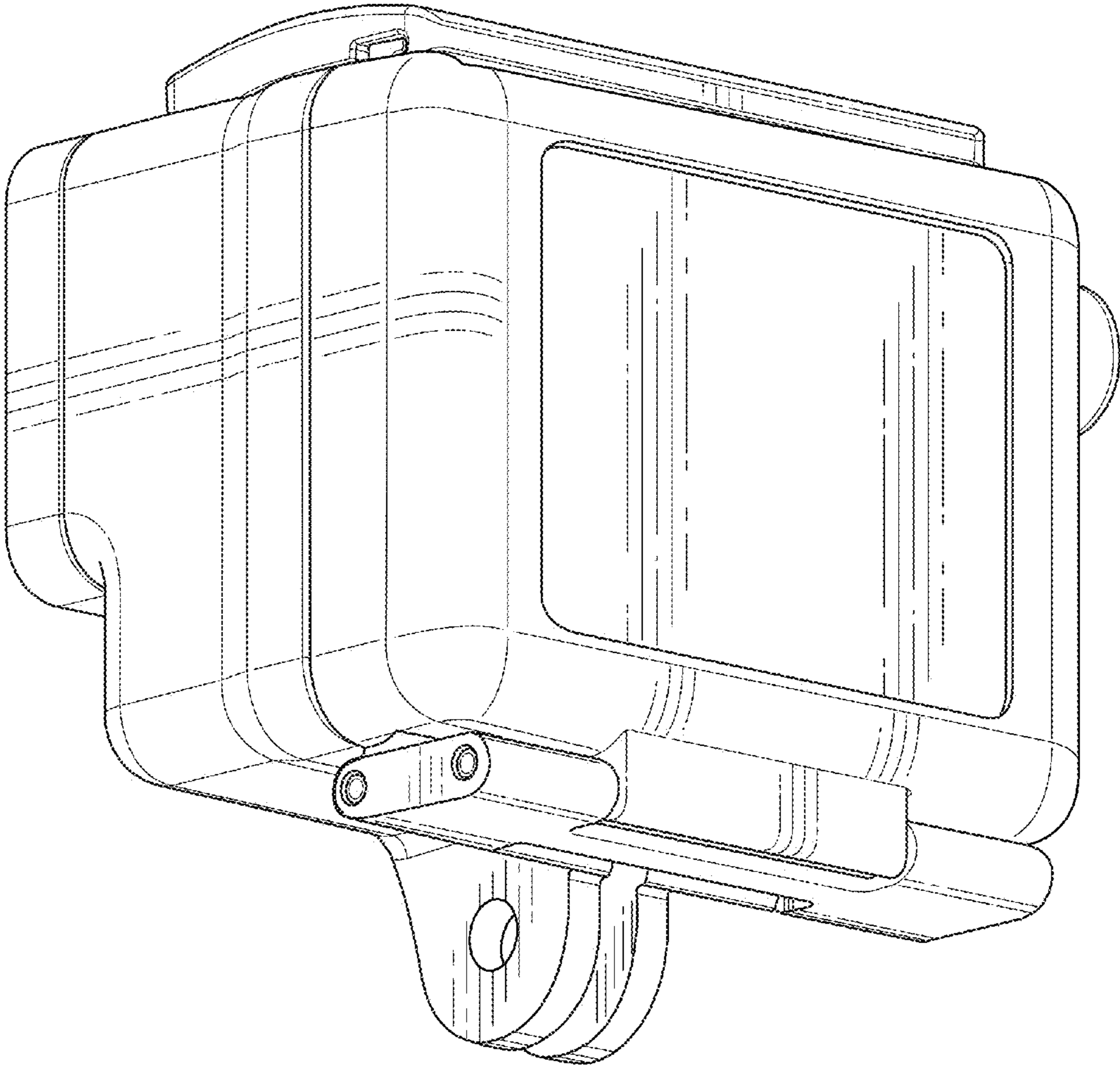


FIG. 4

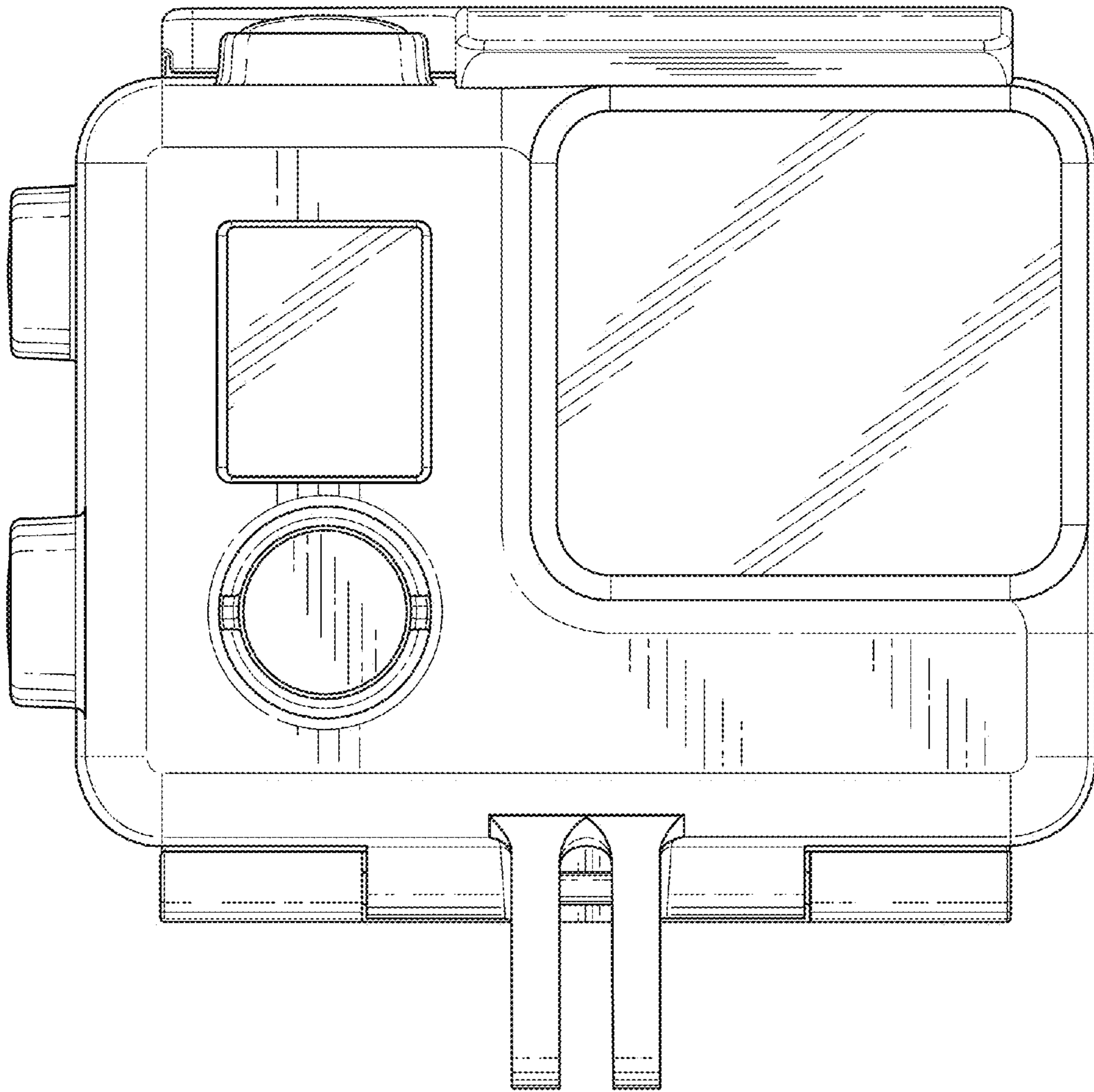


FIG. 5

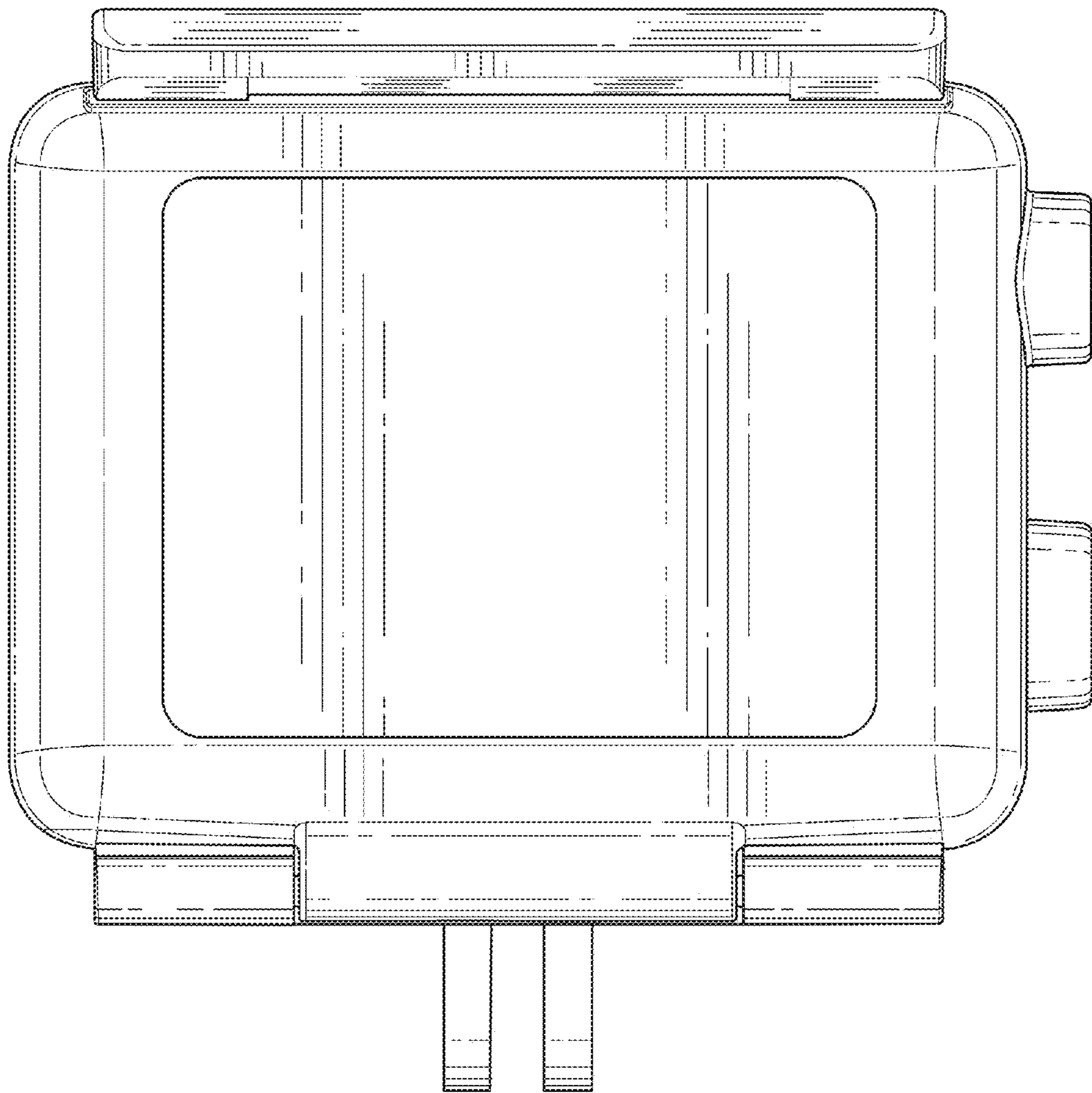


FIG. 6

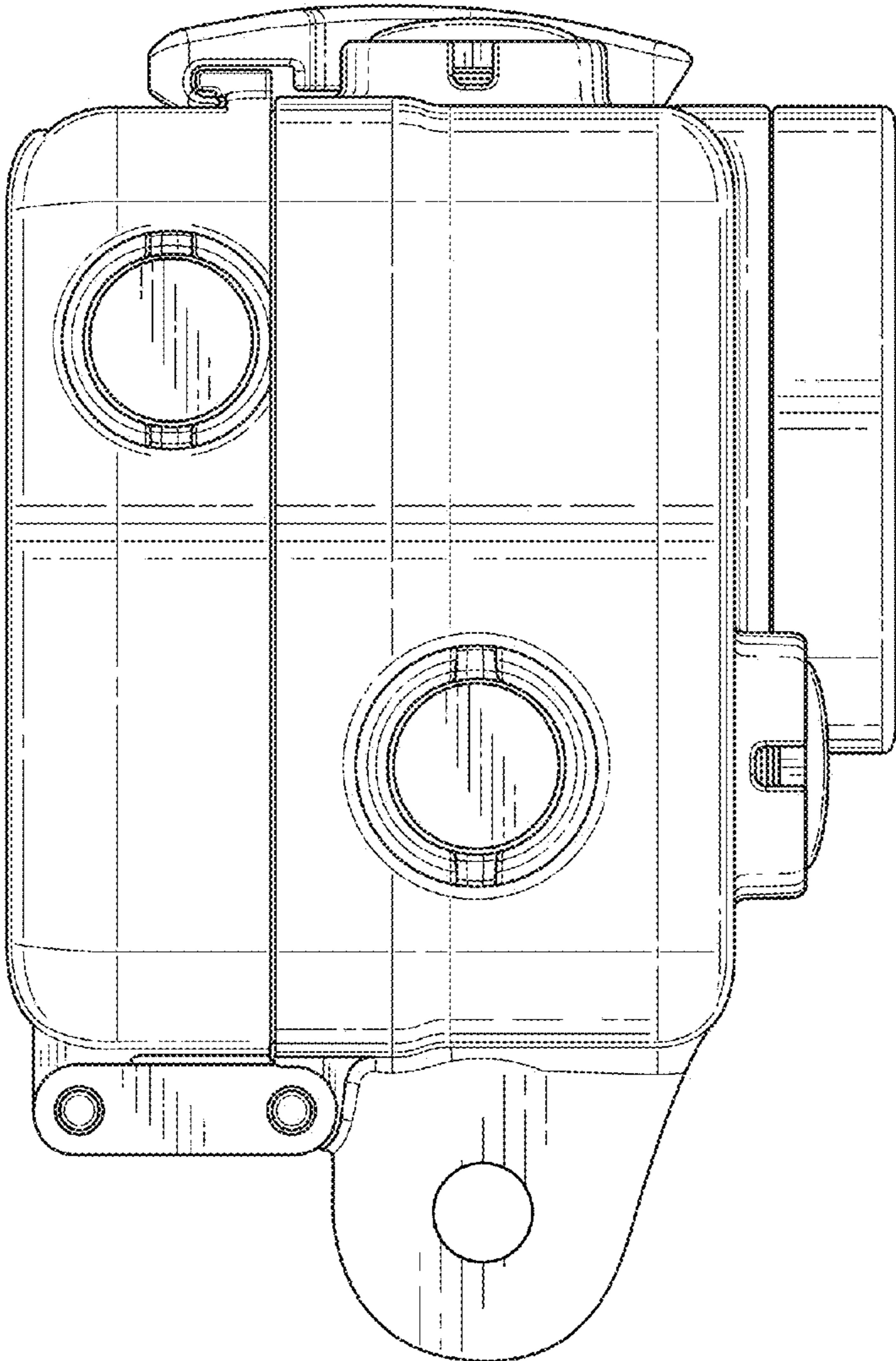


FIG. 7



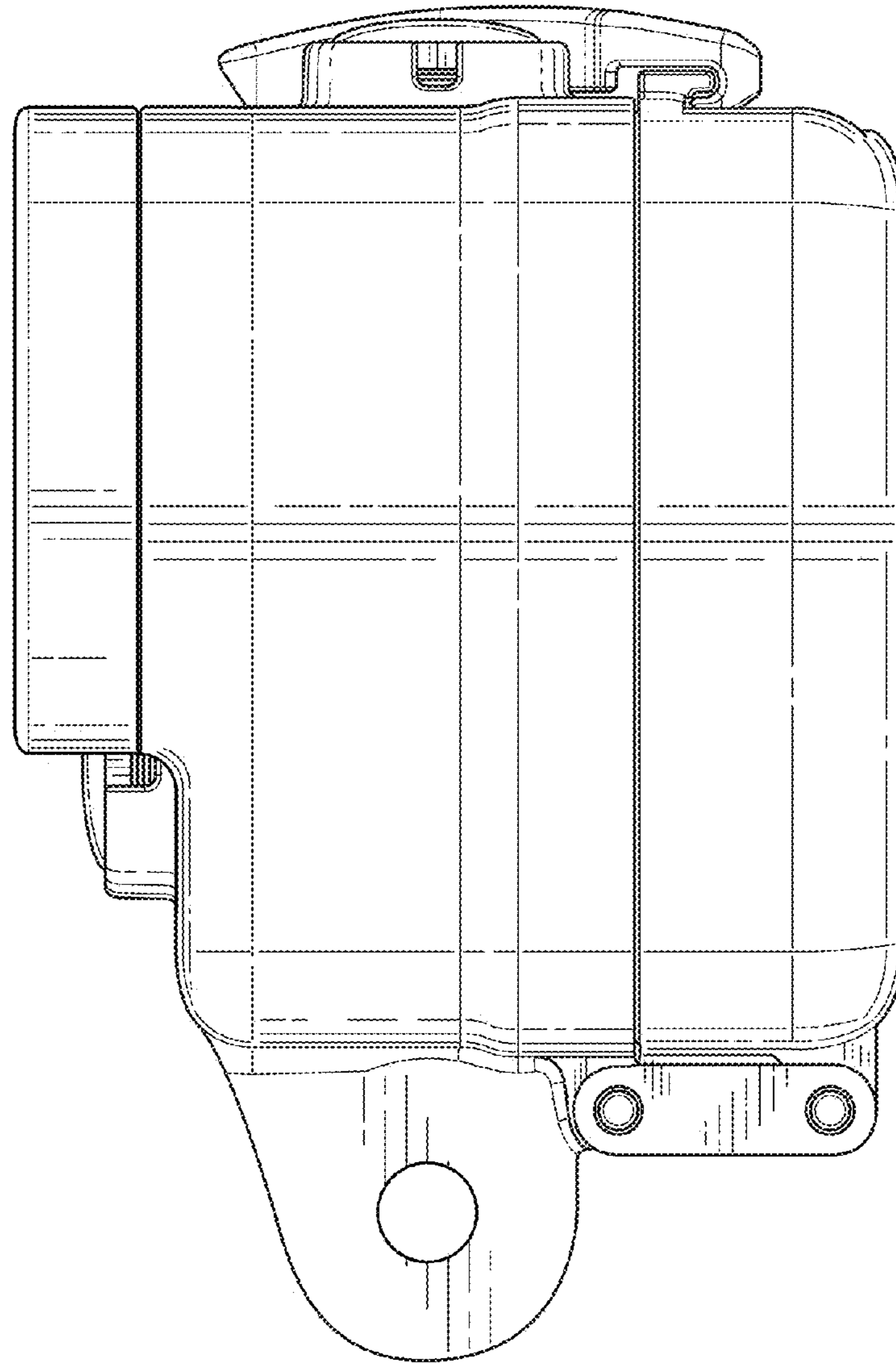


FIG. 8

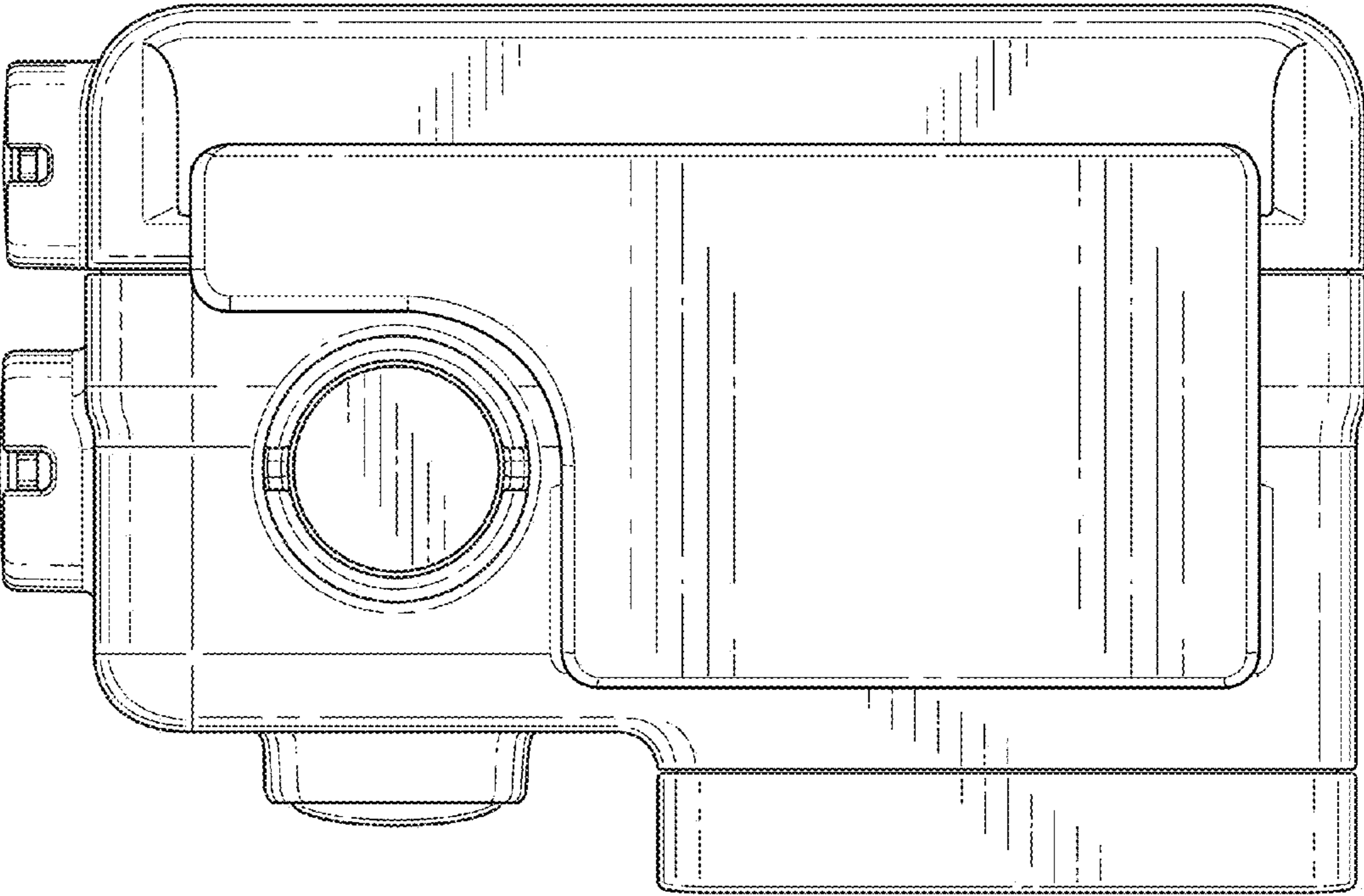


FIG. 9

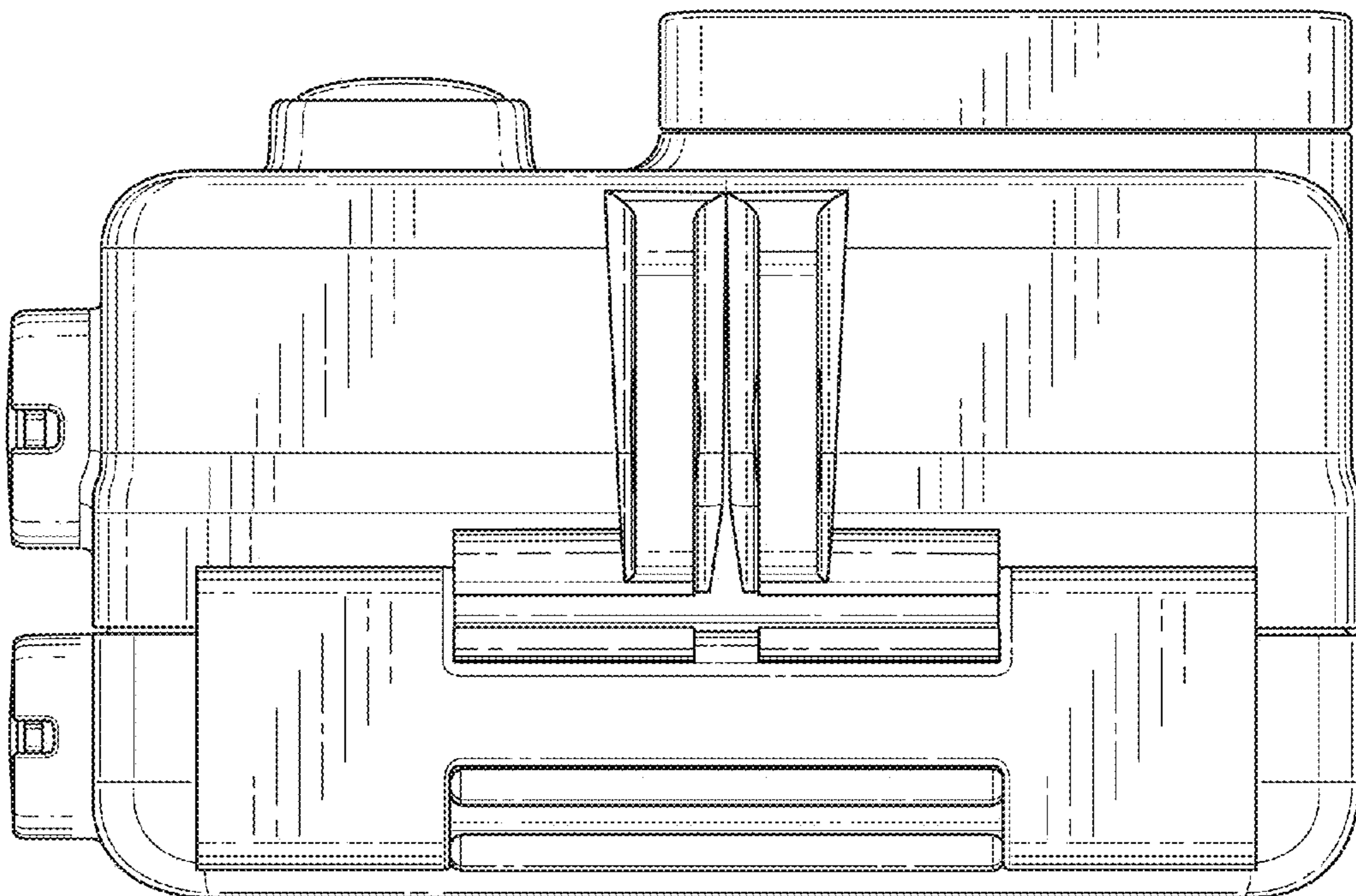


FIG. 10