



US00D710921S

(12) **United States Design Patent**
Gioscia et al.

(10) **Patent No.:** **US D710,921 S**

(45) **Date of Patent:** **** Aug. 12, 2014**

(54) **CAMERA HOUSING**

(71) Applicant: **Woodman Labs, Inc.**, San Mateo, CA (US)

(72) Inventors: **Richard Gioscia**, Santa Clara, CA (US);
Seunghoon Lee, Cupertino, CA (US);
Derek Yap, San Carlos, CA (US); **Evan L. Coons**, San Mateo, CA (US); **Joshua P. Davies**, Fremont, CA (US)

(73) Assignee: **Gopro, Inc.**, San Mateo, CA (US)

(**) Term: **14 Years**

(21) Appl. No.: **29/461,140**

(22) Filed: **Jul. 18, 2013**

(51) **LOC (10) Cl.** **16-01**

(52) **U.S. Cl.**

USPC **D16/200**; D16/218

(58) **Field of Classification Search**

CPC G03B 15/03; G03B 17/02; G03B 17/04;
G03B 17/08; G03B 17/56; G03B 19/04;
H04N 5/2251; H04N 5/2252; H04N 5/2253;
H04N 5/2254; A45C 11/38

USPC D3/267; D16/200, 202-204, 208, 211,
D16/218, 219, 242; 248/176.1, 187.1;
348/81, 373-376; 396/25, 27, 29, 419,
396/535, 539-541; 206/316.2

See application file for complete search history.

(56) **References Cited**

U.S. PATENT DOCUMENTS

D419,296 S * 1/2000 Shinano D3/267
D453,177 S * 1/2002 Uehara D16/204
D550,742 S * 9/2007 Ishii D16/218

D621,432 S * 8/2010 Yim D16/204
8,014,656 B2 * 9/2011 Woodman 396/25
D646,313 S * 10/2011 Woodman D16/200
D647,554 S * 10/2011 Yim D16/204
D657,808 S * 4/2012 Woodman D16/200
D657,811 S * 4/2012 Woodman D16/219
D674,428 S * 1/2013 Woodman D16/218
D674,429 S * 1/2013 Woodman D16/218
8,544,643 B2 * 10/2013 Yim 206/316.2
8,596,890 B2 * 12/2013 Yim et al. 396/419
D702,276 S * 4/2014 Woodman D16/219
D702,747 S * 4/2014 Woodman et al. D16/200

* cited by examiner

Primary Examiner — Adir Aronovich

Assistant Examiner — Ramzi Almatrahi

(74) *Attorney, Agent, or Firm* — Fenwick & West LLP

(57) **CLAIM**

The ornamental design for a camera housing, as shown and described.

DESCRIPTION

FIG. 1 is a front, top, and right side perspective view of a camera housing showing our new design;

FIG. 2 is a front, bottom and left side perspective view thereof;

FIG. 3 is a back, top and left side perspective view thereof;

FIG. 4 is a back, bottom and right side perspective view thereof;

FIG. 5 is a front elevational view thereof;

FIG. 6 is a back elevational view thereof;

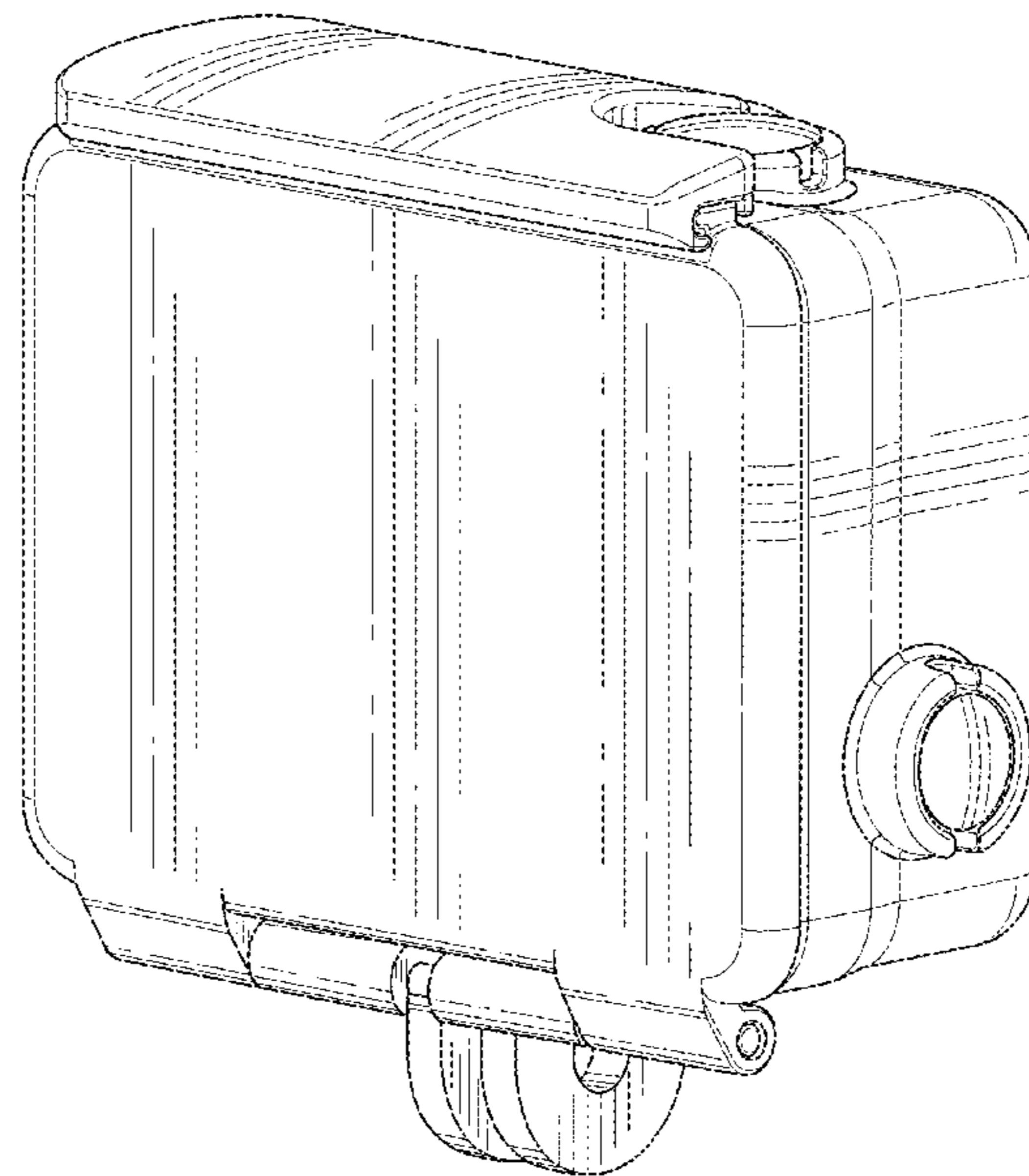
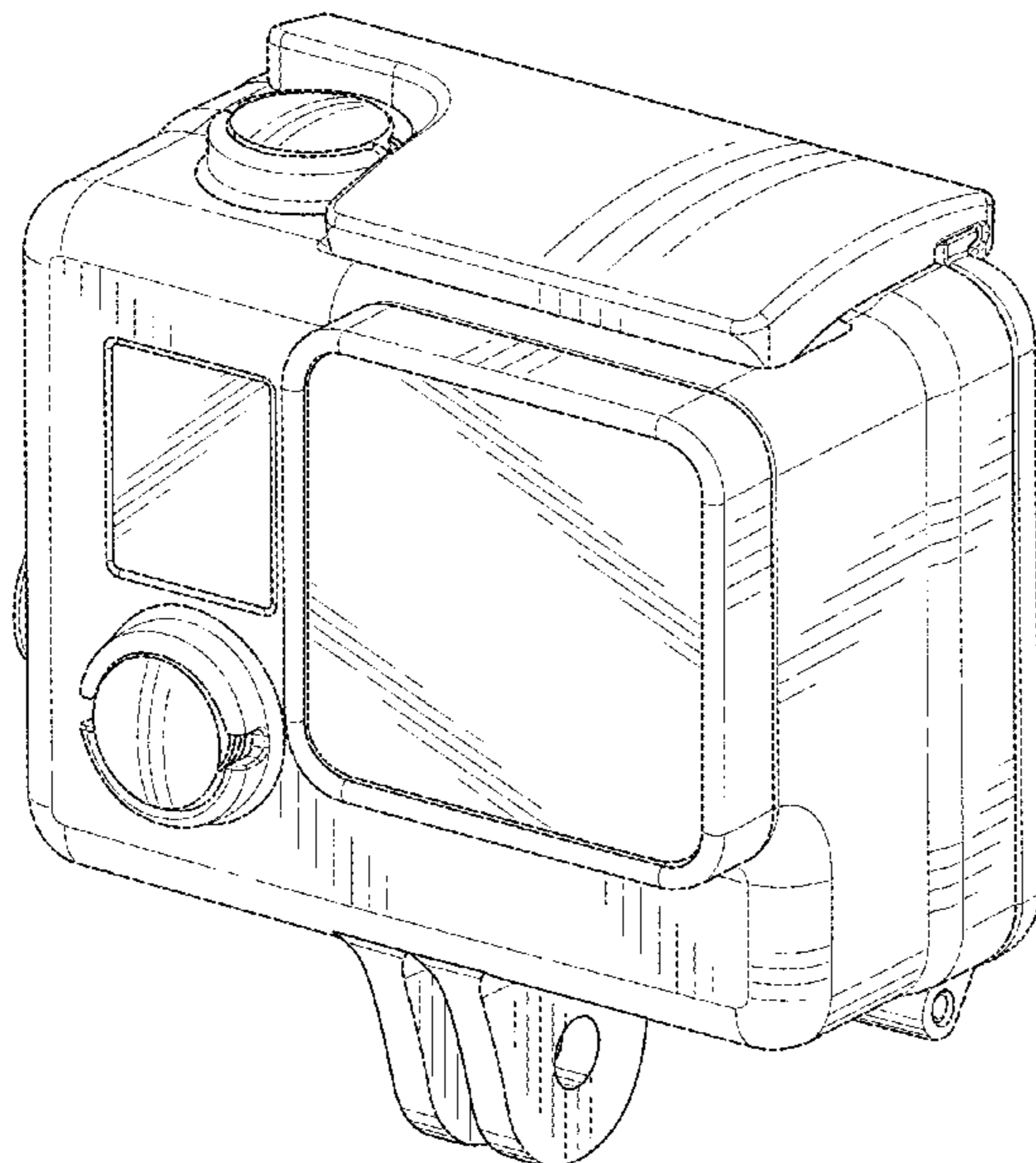
FIG. 7 is a left side elevational view thereof;

FIG. 8 is a right side elevational view thereof;

FIG. 9 is a top plan view thereof; and,

FIG. 10 is a bottom plan view thereof.

1 Claim, 10 Drawing Sheets



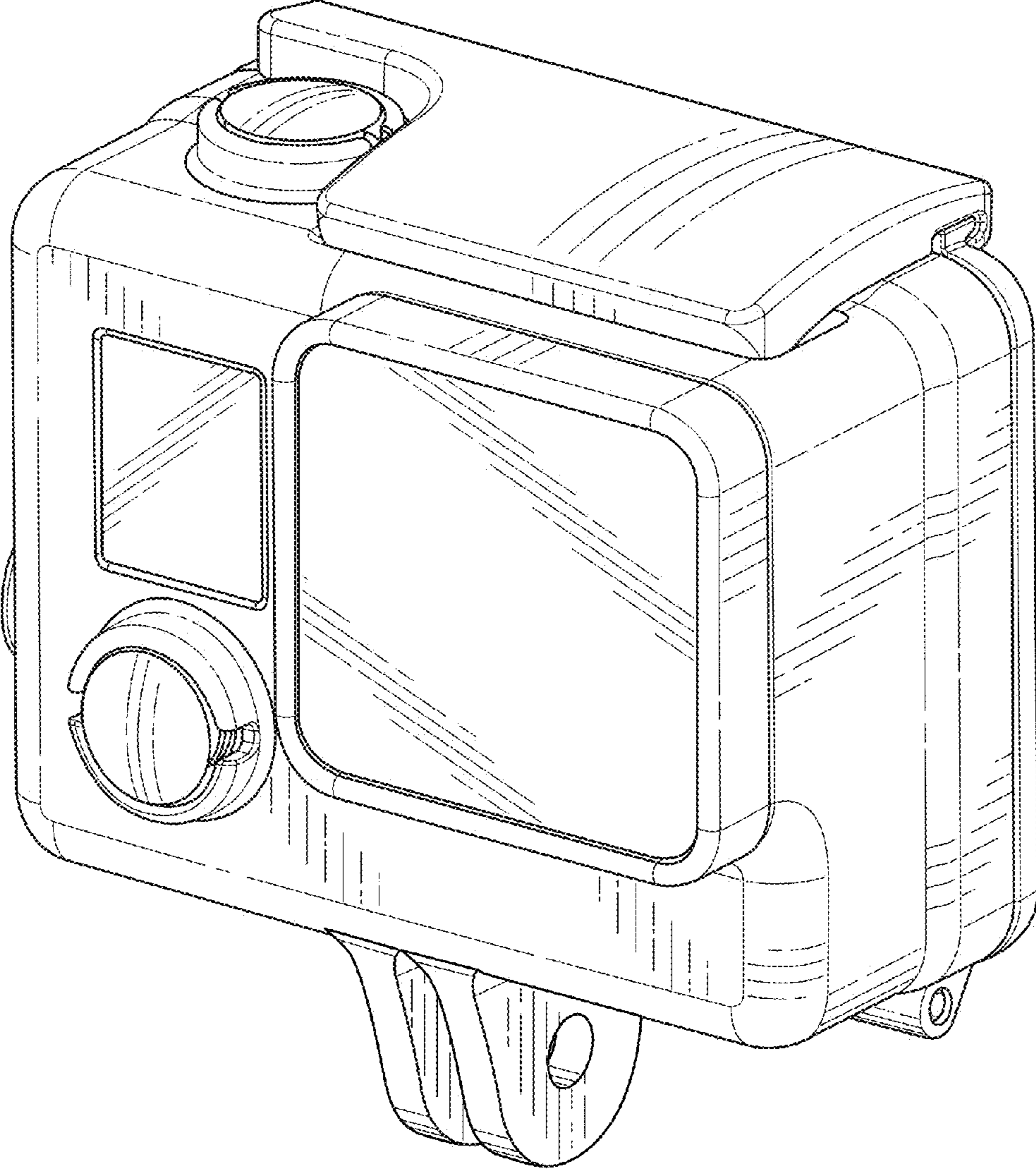


FIG. 1

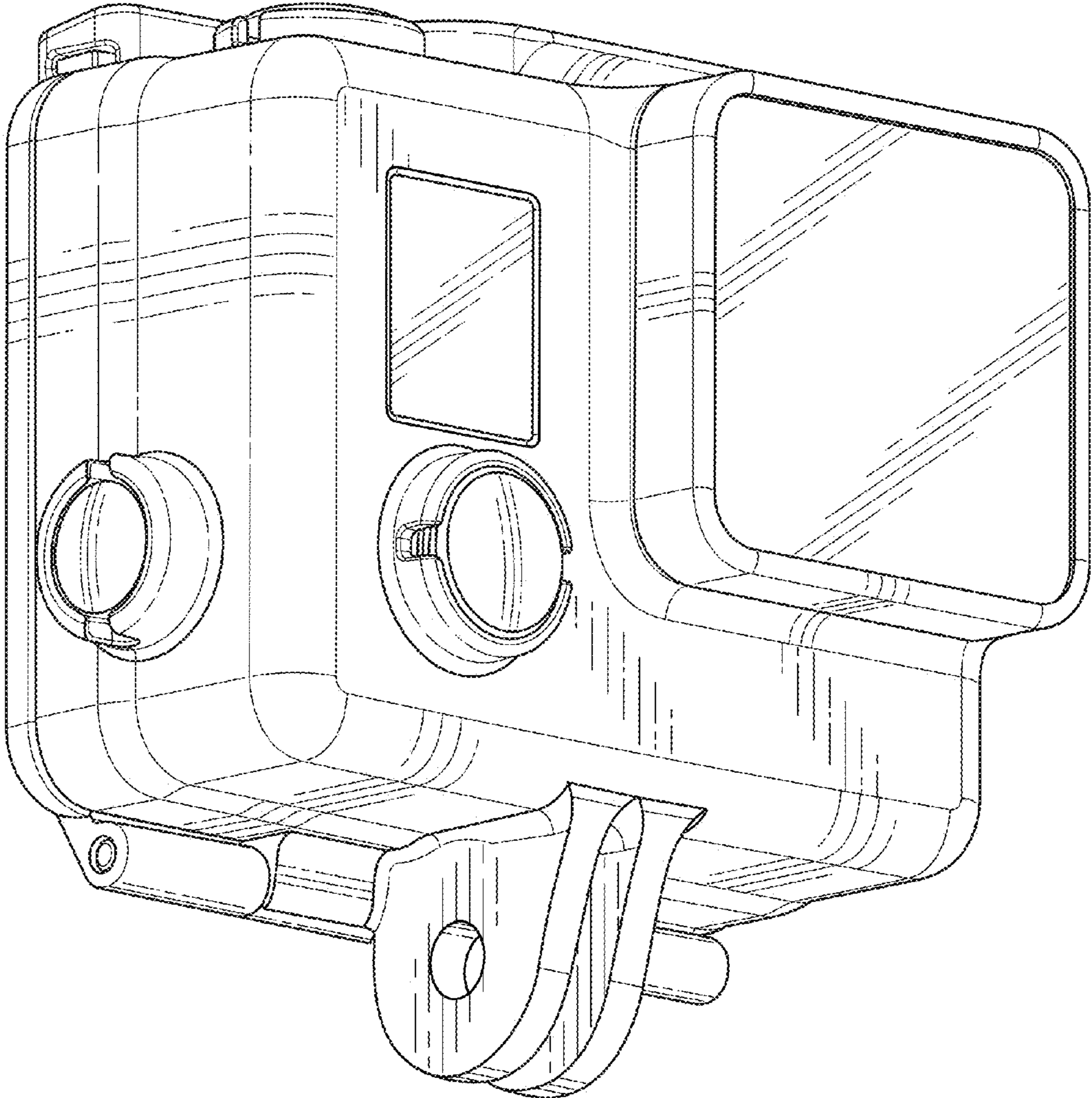


FIG. 2

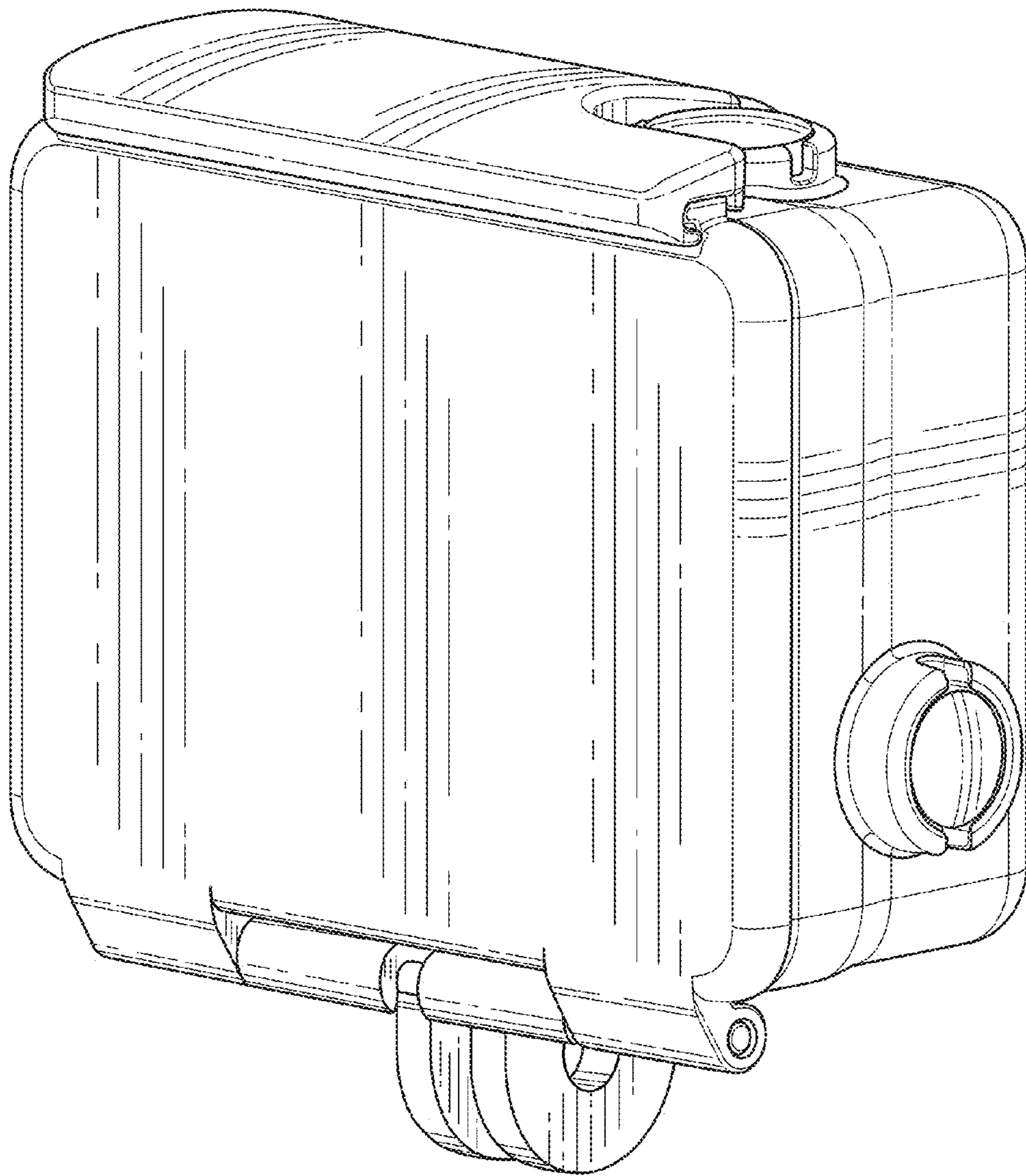


FIG. 3

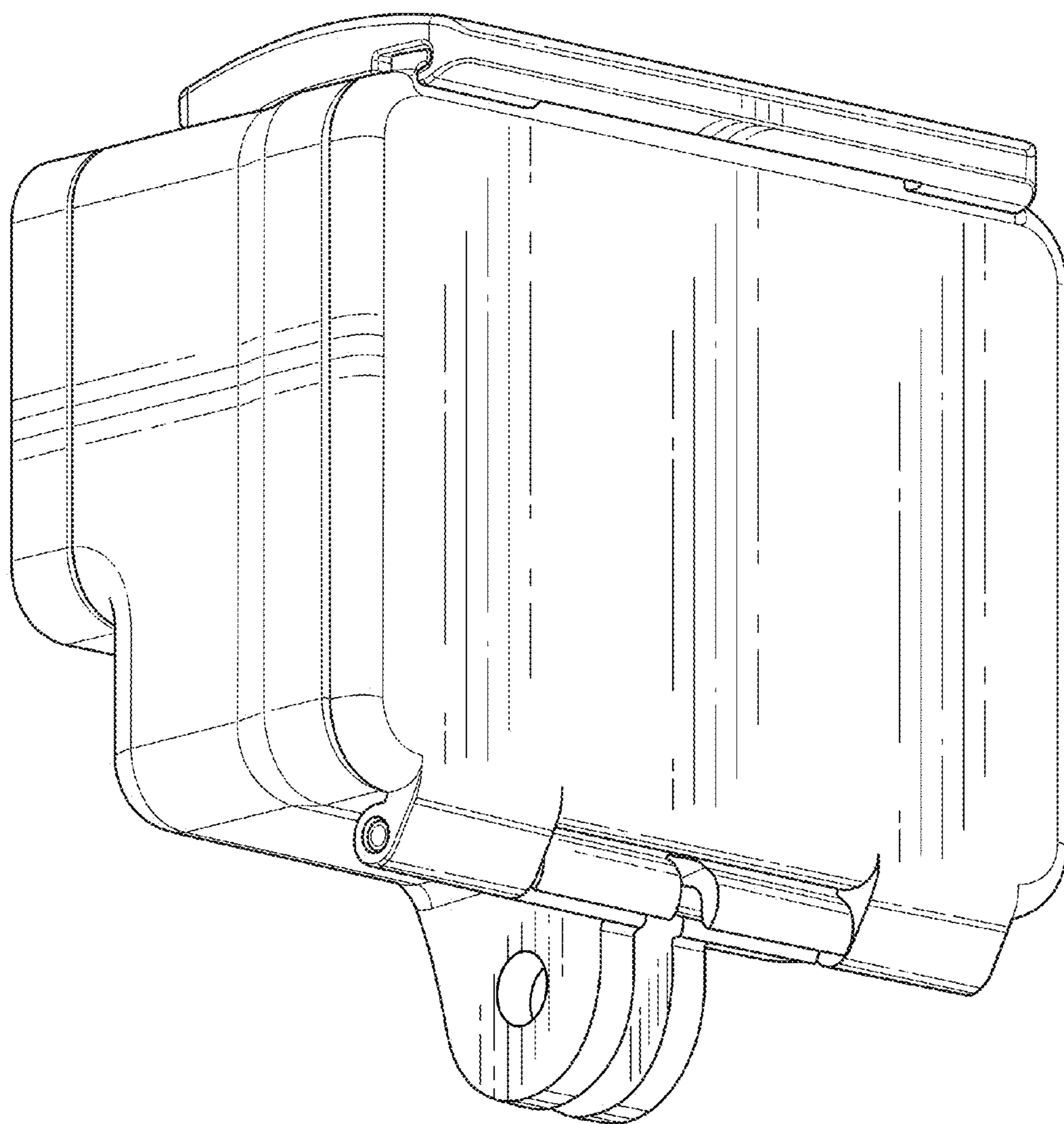


FIG. 4

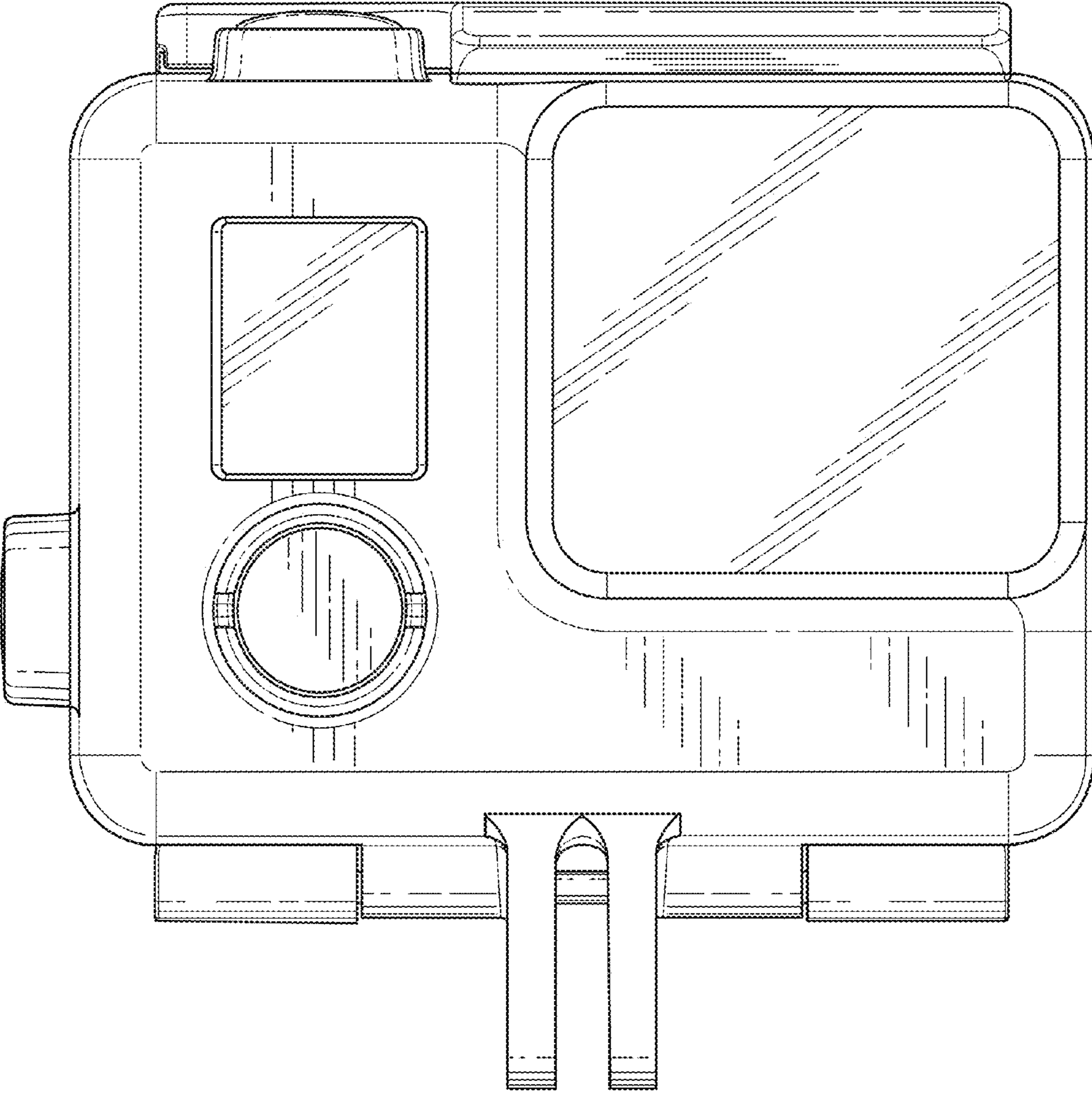


FIG. 5

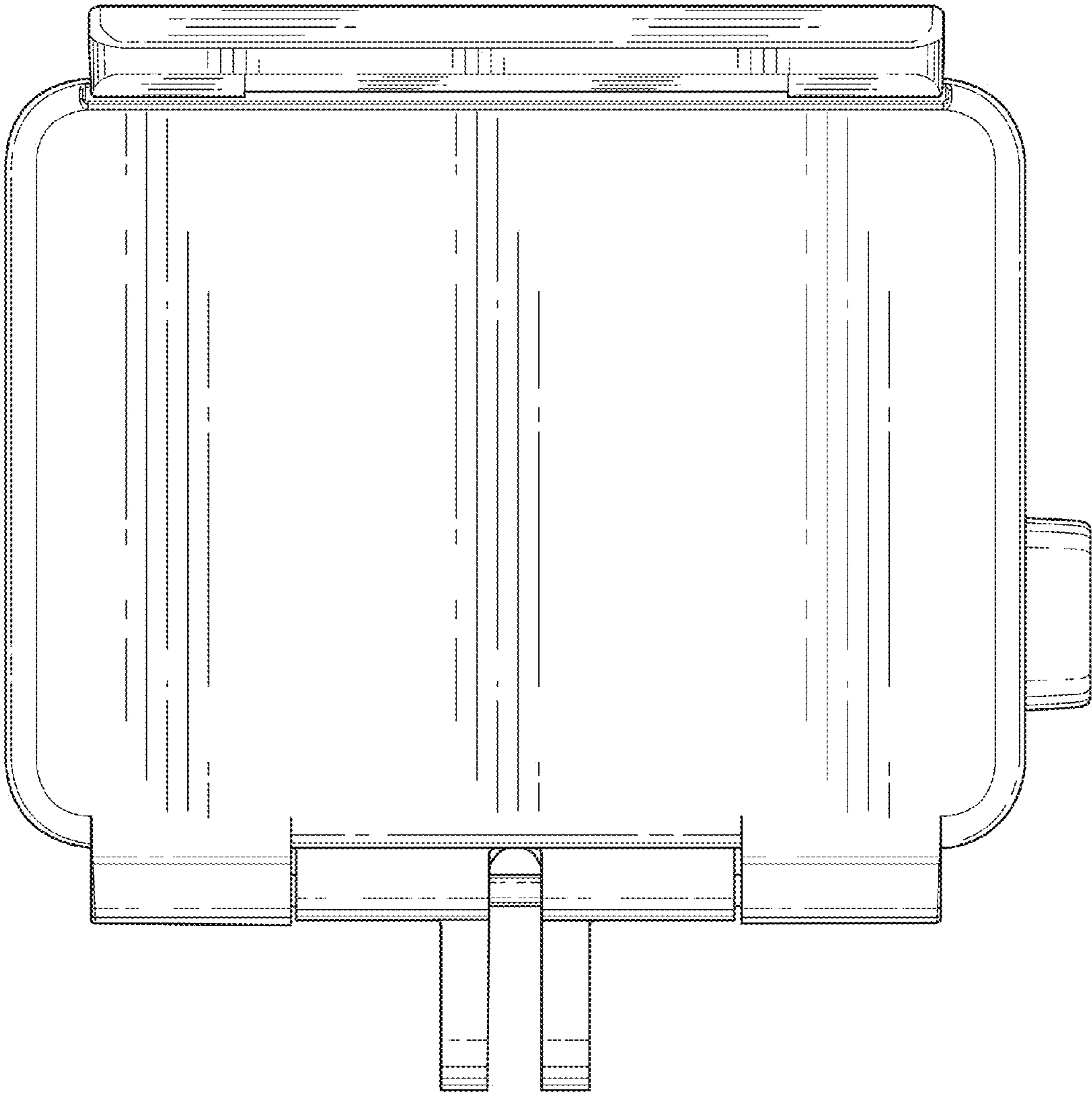


FIG. 6

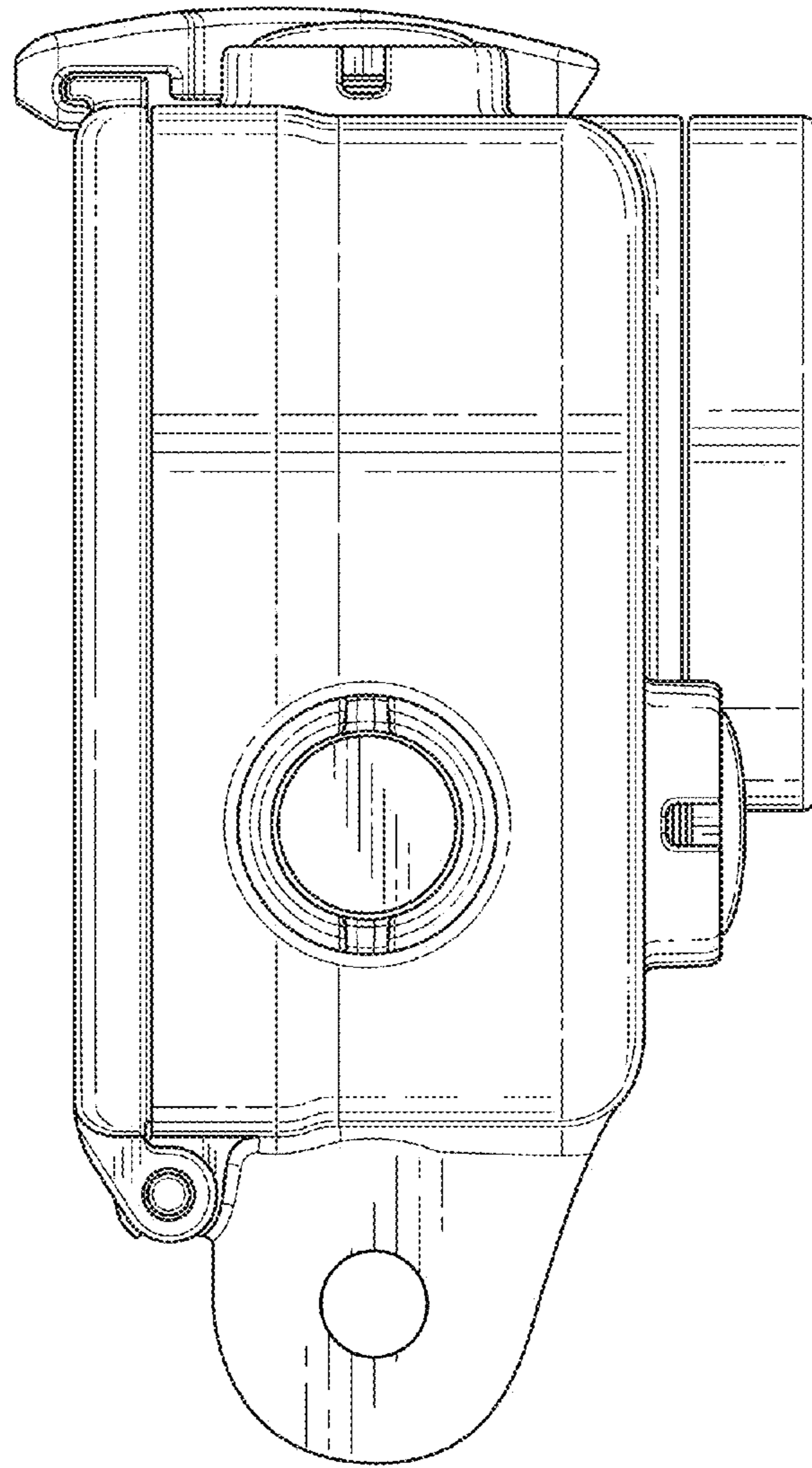


FIG. 7

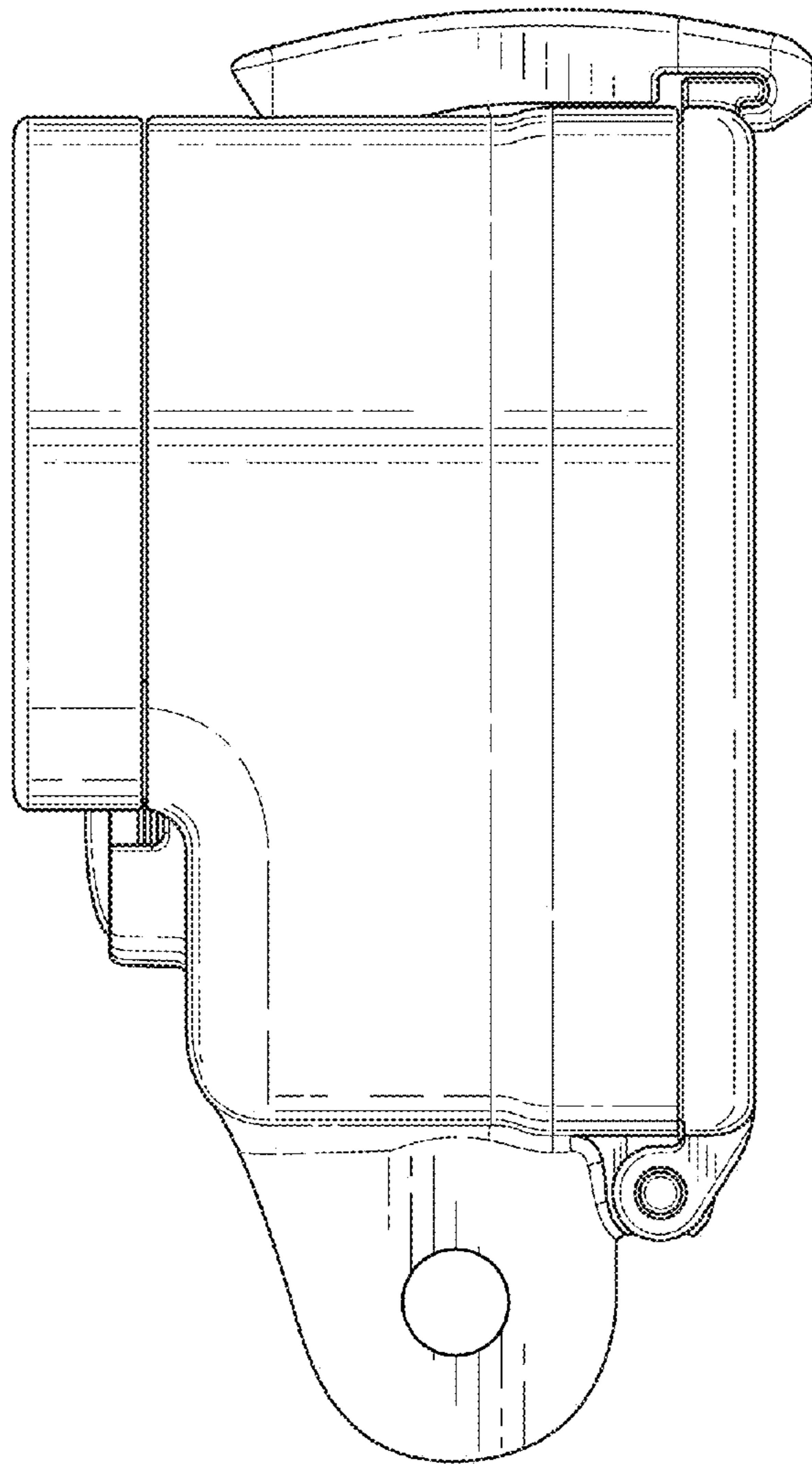


FIG. 8

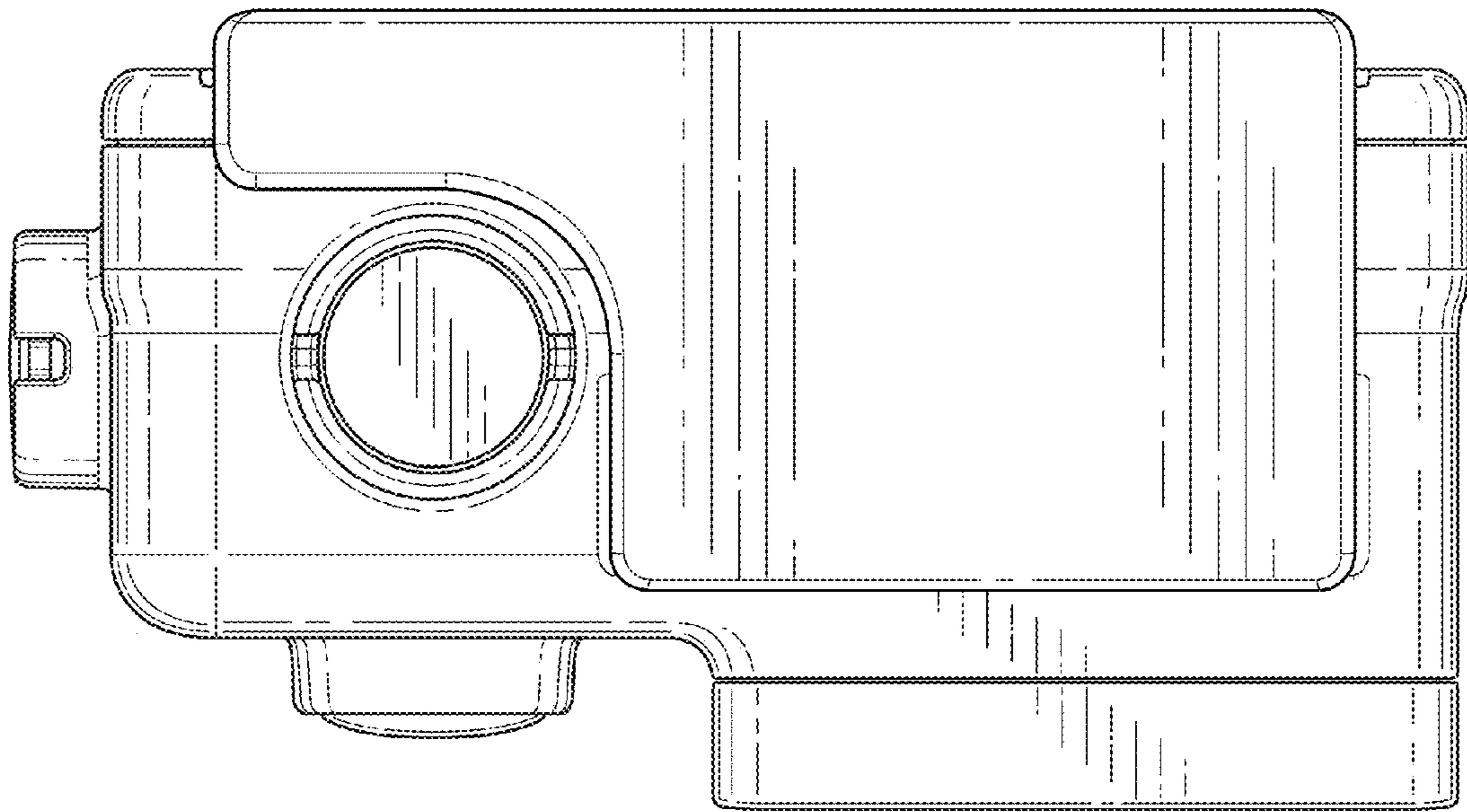


FIG. 9

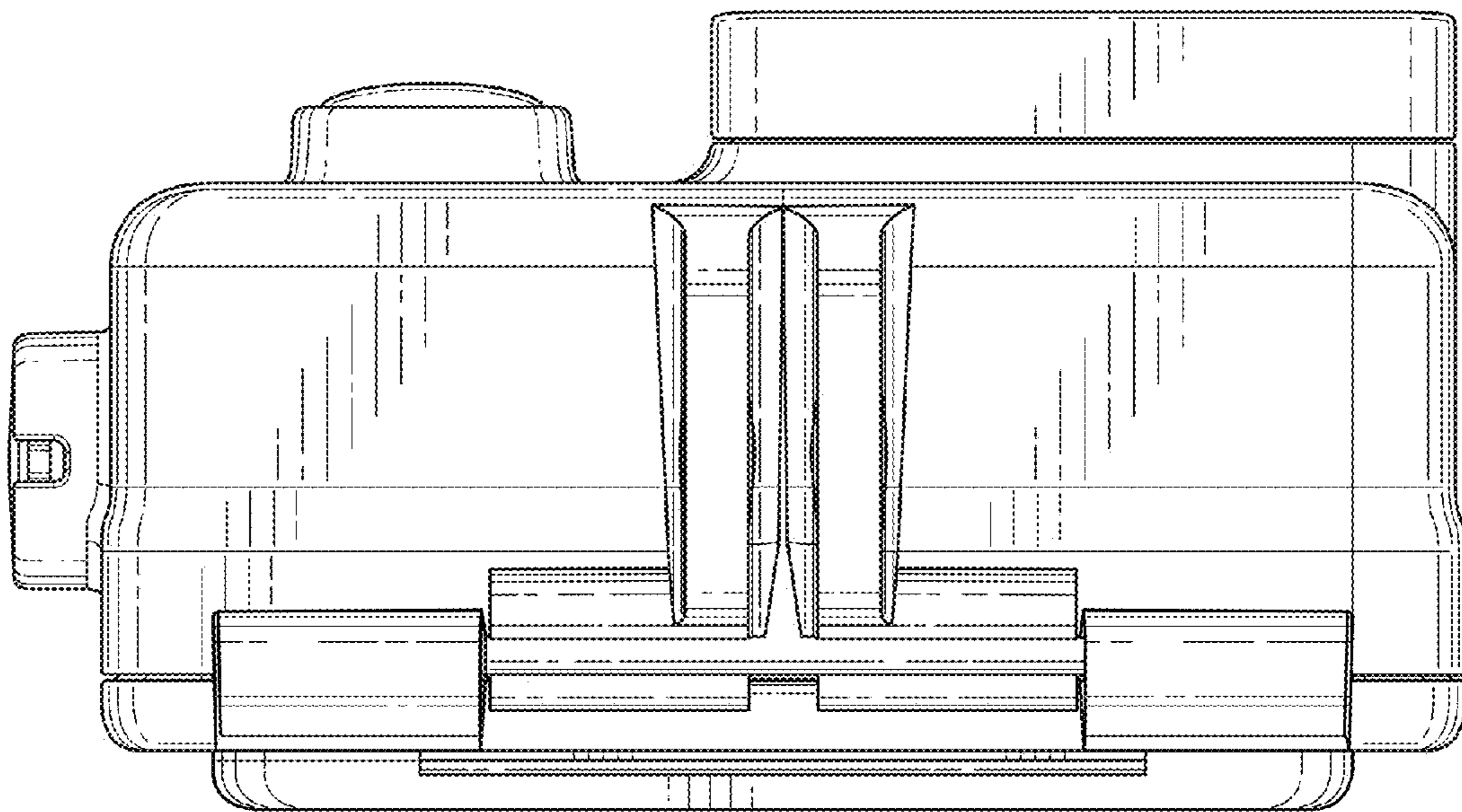


FIG. 10