



US00D710918S

(12) **United States Design Patent**
Tegeltija

(10) **Patent No.:** **US D710,918 S**

(45) **Date of Patent:** **** Aug. 12, 2014**

(54) **GEAR BOX**

FOREIGN PATENT DOCUMENTS

(71) Applicant: **Sew-Eurodrive GmbH & Co KG**,
Bruchsal (DE)

DE 40701807-0001 7/2007

(72) Inventor: **Miki Tegeltija**, Karlsdorf-Neuthardt
(DE)

OTHER PUBLICATIONS
Photo of gear, source unknown; publication date estimated 1997-1999.

(73) Assignee: **Sew-Eurodrive GmbH & Co. KG** (DE)

* cited by examiner

(**) Term: **14 Years**

Primary Examiner — Patricia Palasik

(21) Appl. No.: **29/450,860**

(74) *Attorney, Agent, or Firm* — Finnegan, Henderson, Farabow, Garrett & Dunner, LLP

(22) Filed: **Mar. 25, 2013**

(57) **CLAIM**

The ornamental design for a gear box, as shown and described.

(30) **Foreign Application Priority Data**

DESCRIPTION

Sep. 25, 2012 (DE) 40 2012 004 440

(51) **LOC (10) Cl.** **15-99**

(52) **U.S. Cl.**
USPC **D15/148**

(58) **Field of Classification Search**
USPC D15/5, 148, 149; 74/66 A, 366 R, 95,
74/395, 411, 489, 607, 640; 474/82, 144,
474/146; 475/83, 331-335, 345; 476/42
See application file for complete search history.

FIG. 1 is a front left perspective view of a gear box showing a first embodiment of my new design, the right side being a mirror image thereof;
FIG. 2 is a front view thereof;
FIG. 3 is a left side view thereof;
FIG. 4 is a right side view thereof;
FIG. 5 is a rear view thereof;
FIG. 6 is a top plan view thereof;
FIG. 7 is a bottom view thereof;
FIG. 8 is a front left perspective view of a gear box showing a second embodiment of my new design, the right side being a mirror image thereof;
FIG. 9 is a front view thereof;
FIG. 10 is a left side view thereof;
FIG. 11 is a right side view thereof;
FIG. 12 is a rear view thereof;
FIG. 13 is a top plan view thereof; and,
FIG. 14 is a bottom view thereof.

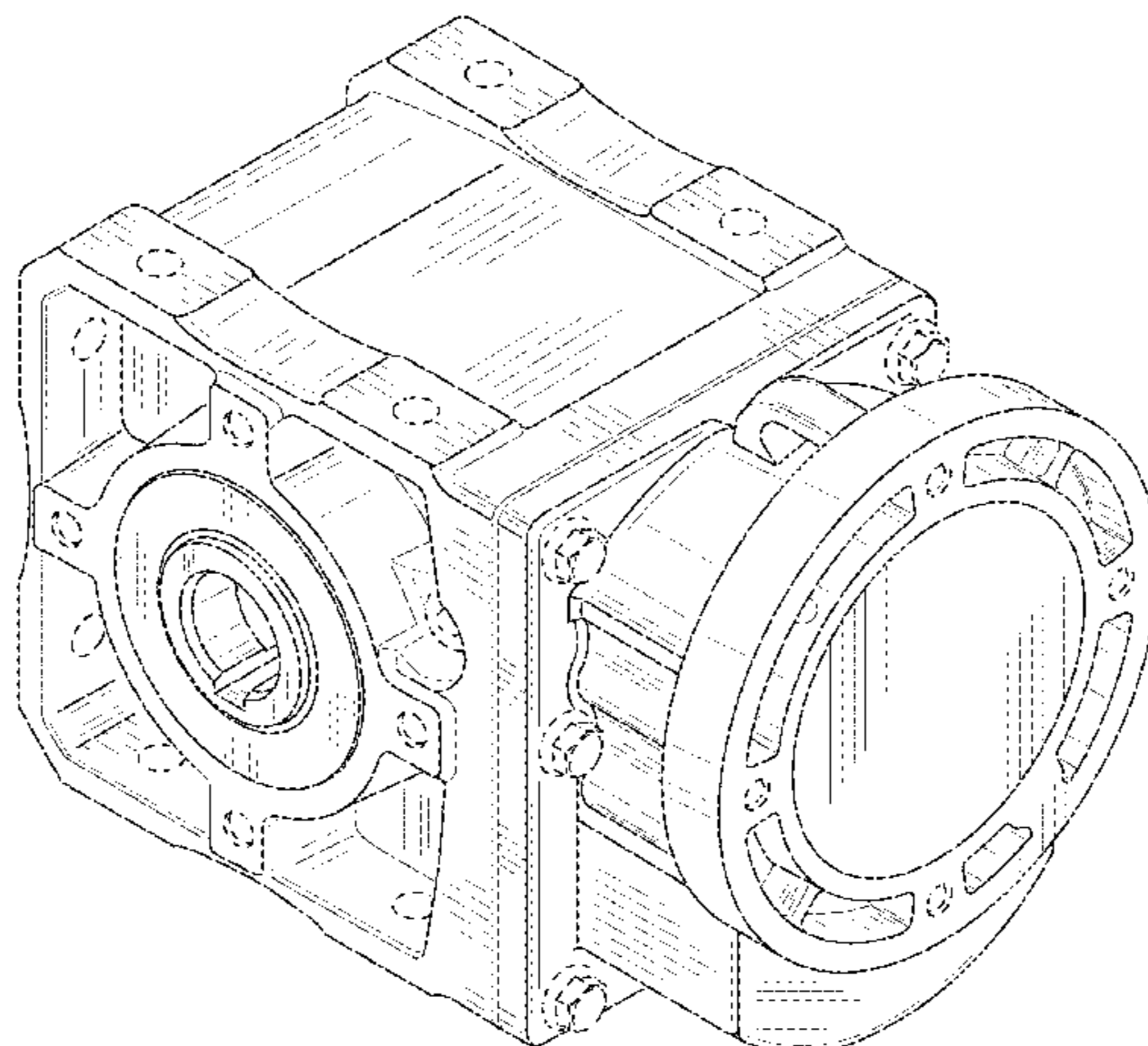
(56) **References Cited**

U.S. PATENT DOCUMENTS

D368,919 S *	4/1996	Lannoch	D15/148
D479,725 S *	9/2003	Lannoch	D15/148
D620,848 S *	8/2010	Haines	D12/160
D673,595 S *	1/2013	Cho et al.	D15/148
D674,828 S *	1/2013	Andersson	D15/148
D676,884 S *	2/2013	Zhang et al.	D15/148
D677,293 S *	3/2013	Andersson	D15/148
D685,404 S *	7/2013	Andersson	D15/148
D690,339 S *	9/2013	Sigmund	D15/148
D697,103 S *	1/2014	Sigmund	D15/148
D698,837 S *	2/2014	Woppermann	D15/148

The portions depicted in broken lines are environment and the elements depicted in broken lines form no part of the claimed design.

1 Claim, 14 Drawing Sheets



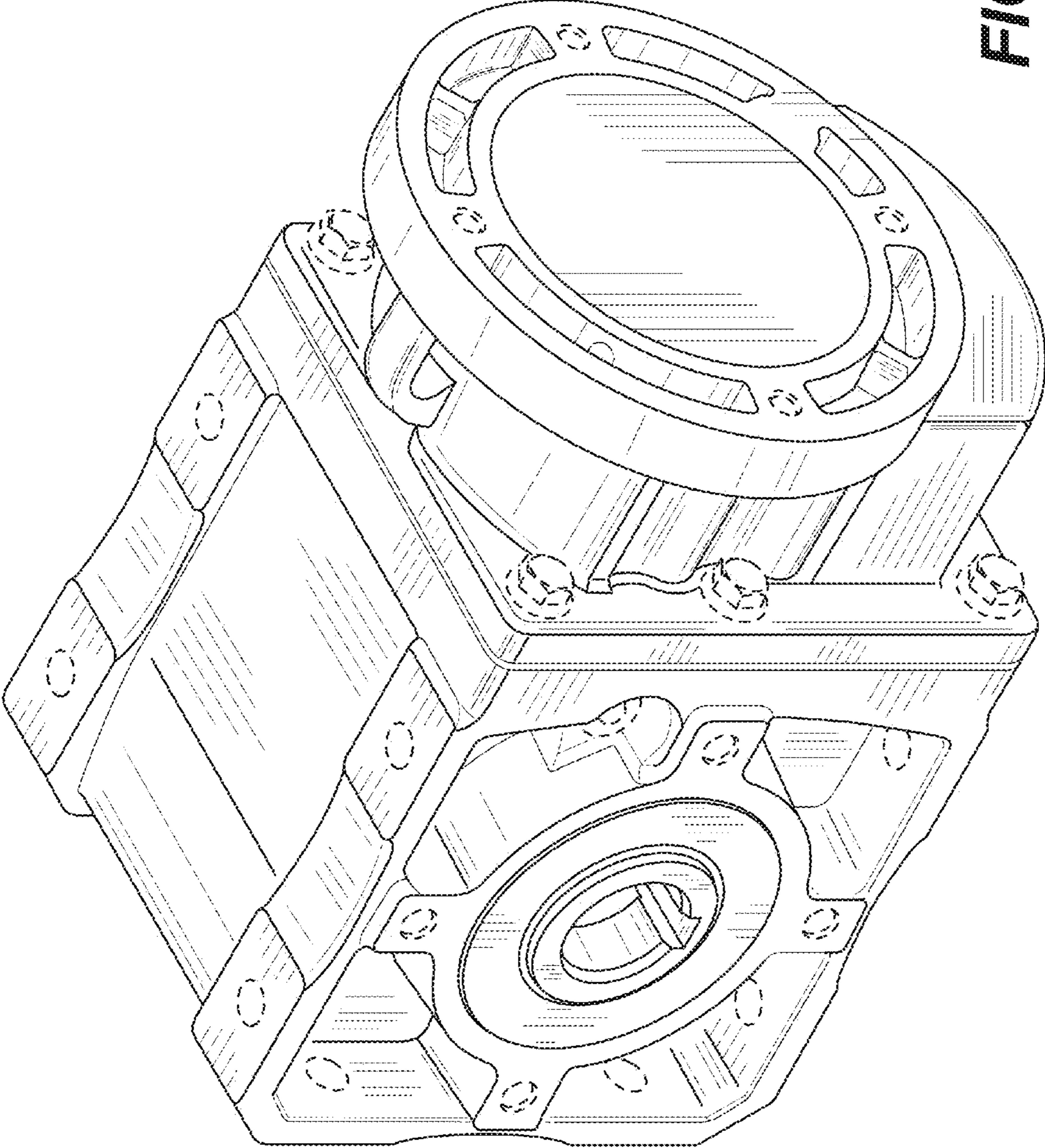


FIG. 1

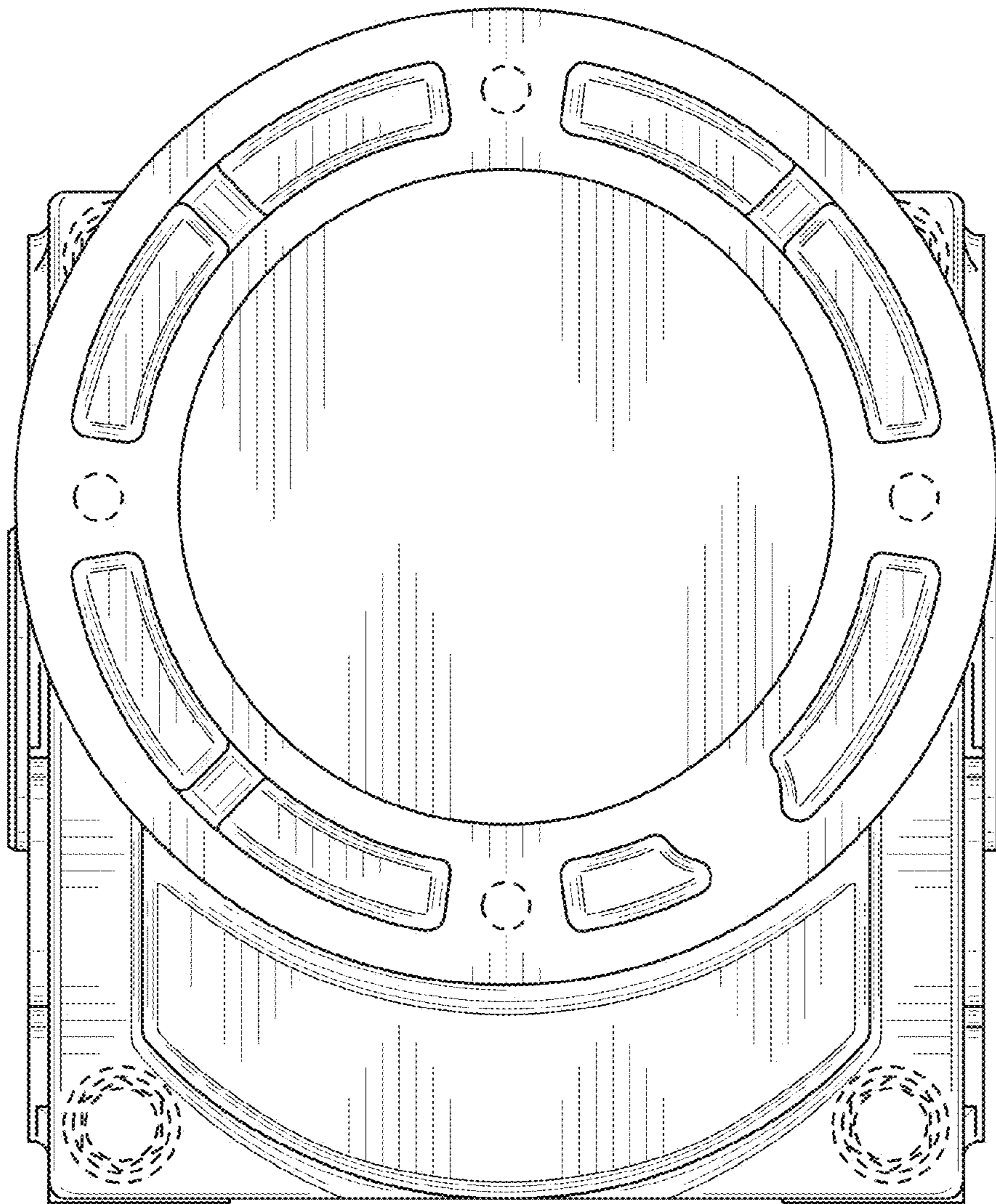


FIG. 2

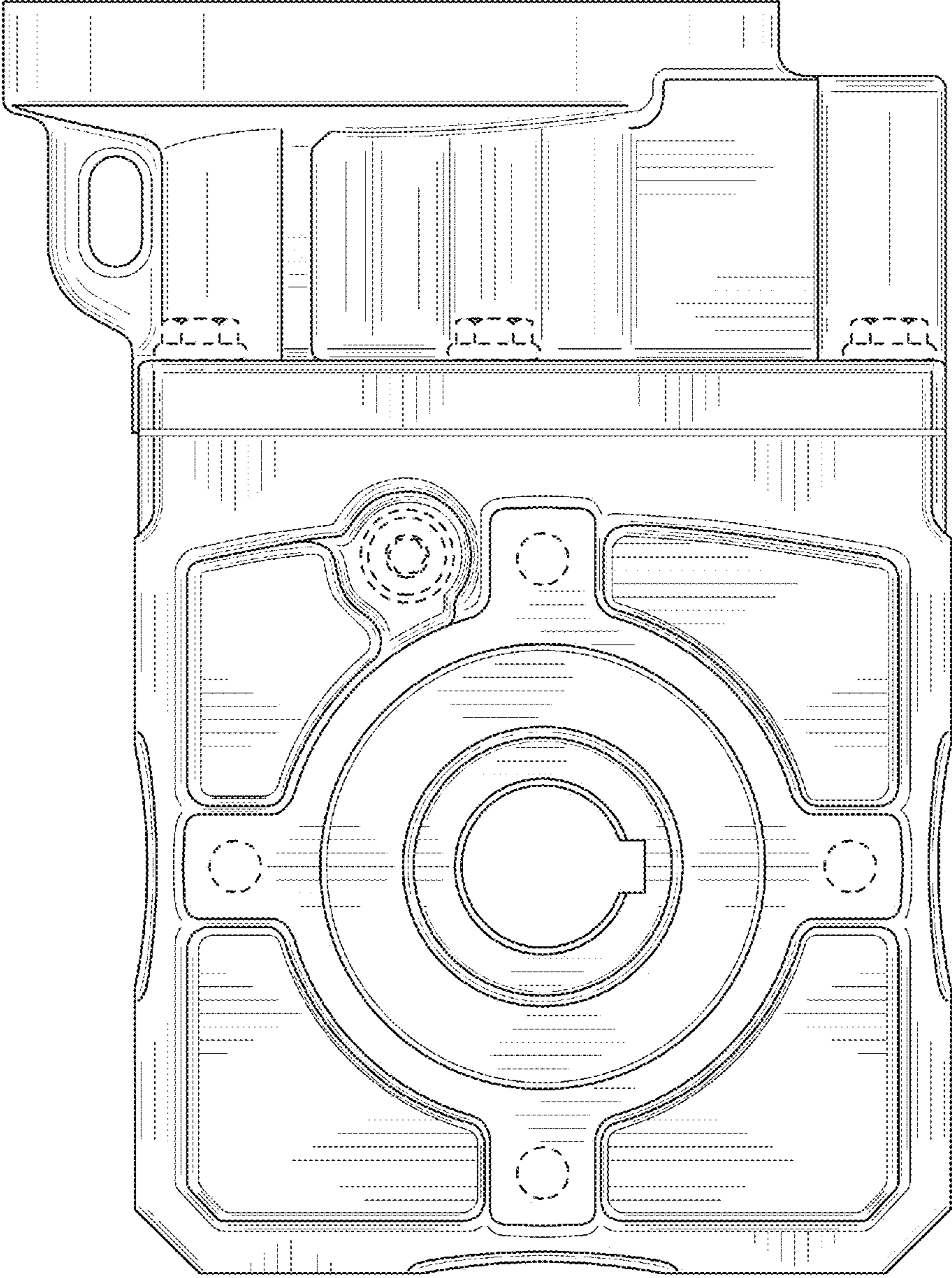


FIG. 3

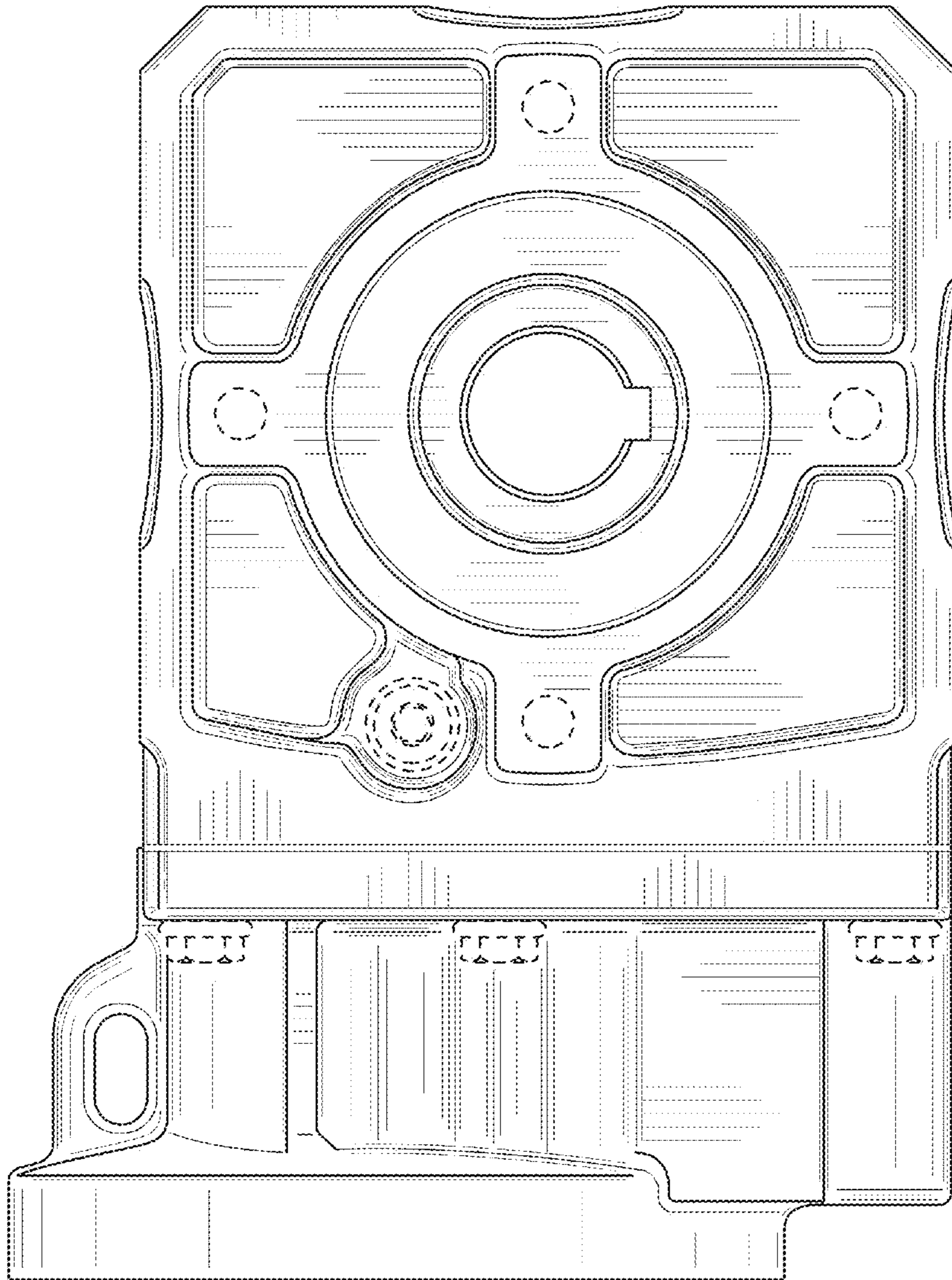


FIG. 4

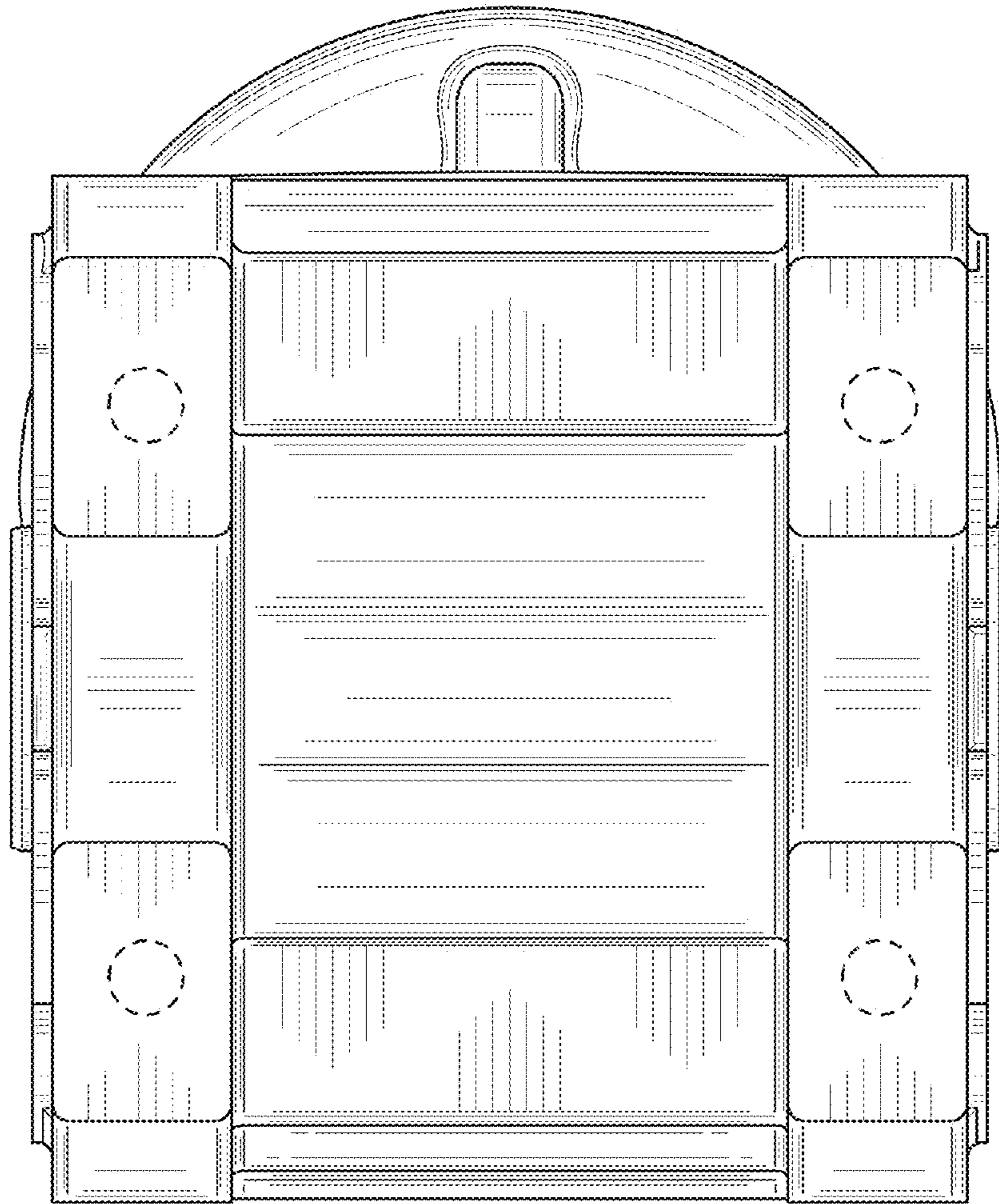


FIG. 5

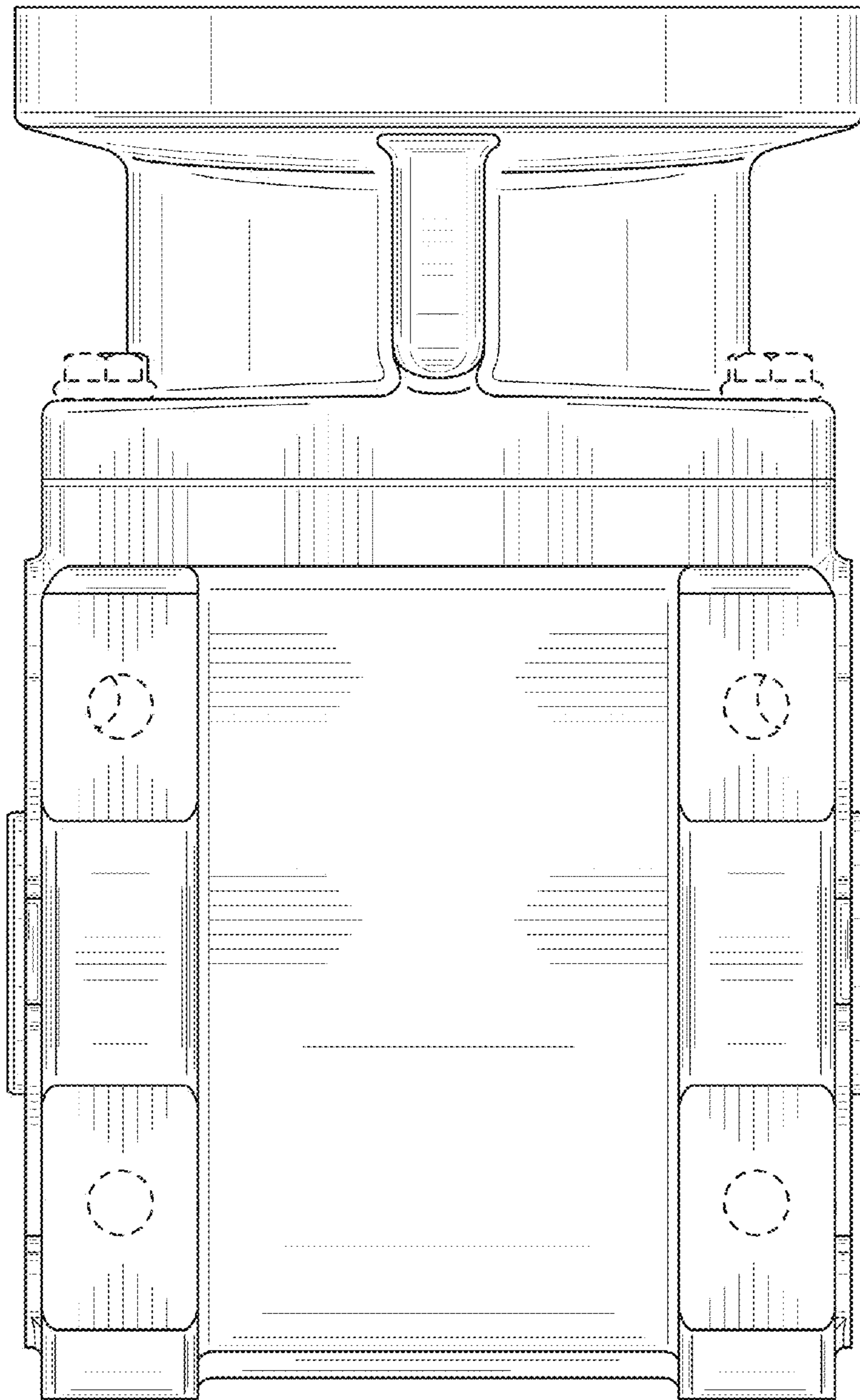


FIG. 6

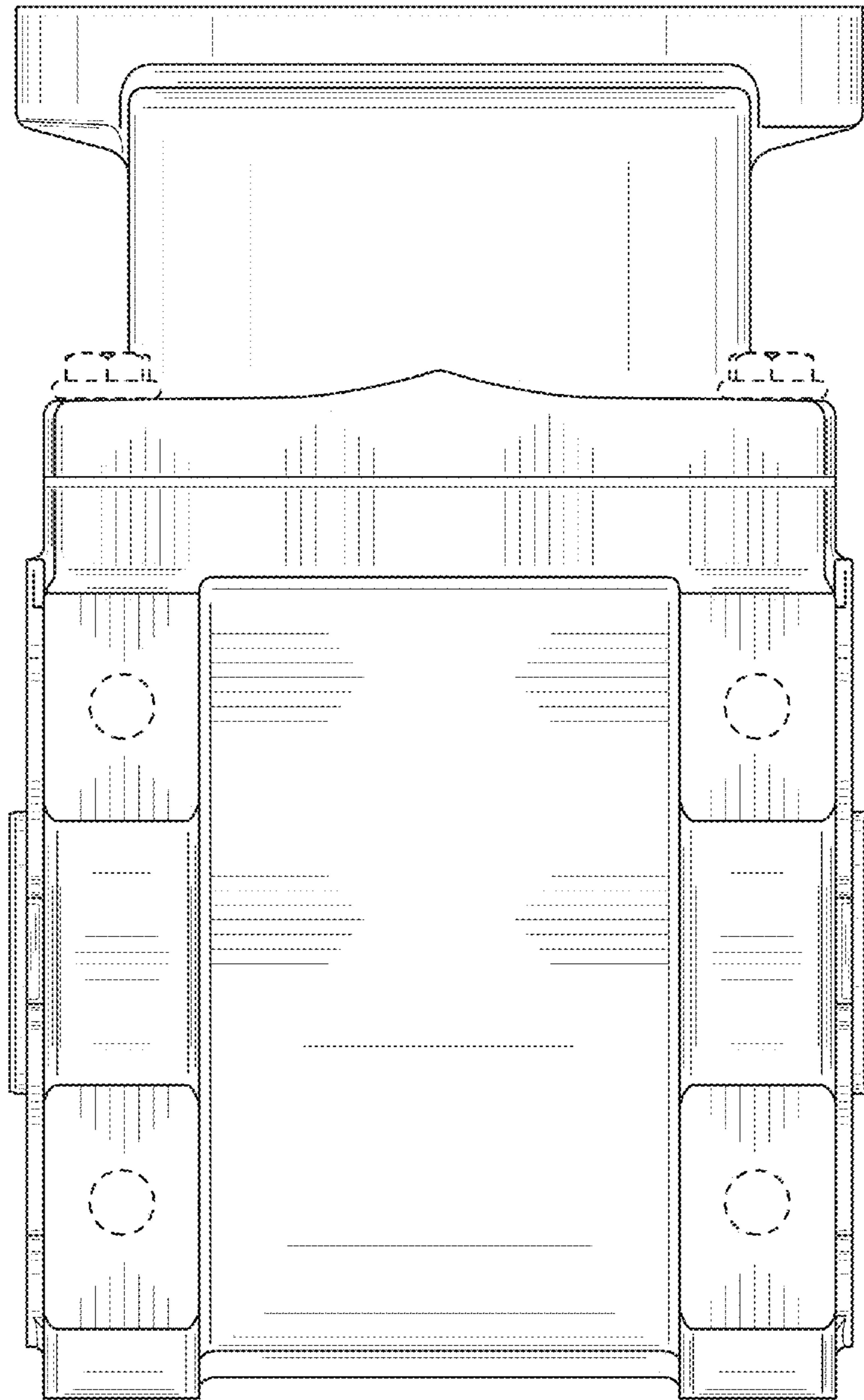


FIG. 7

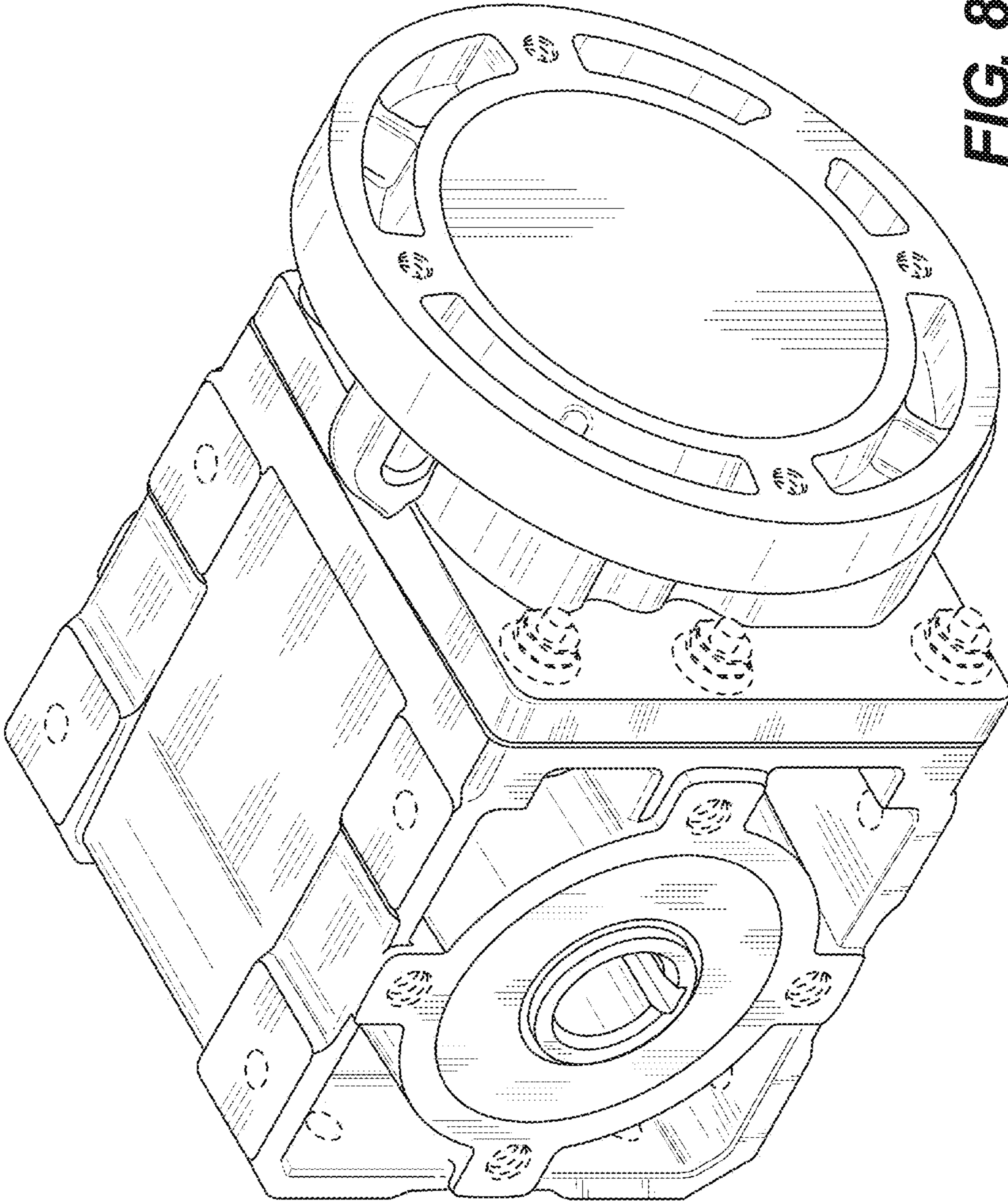


FIG. 8

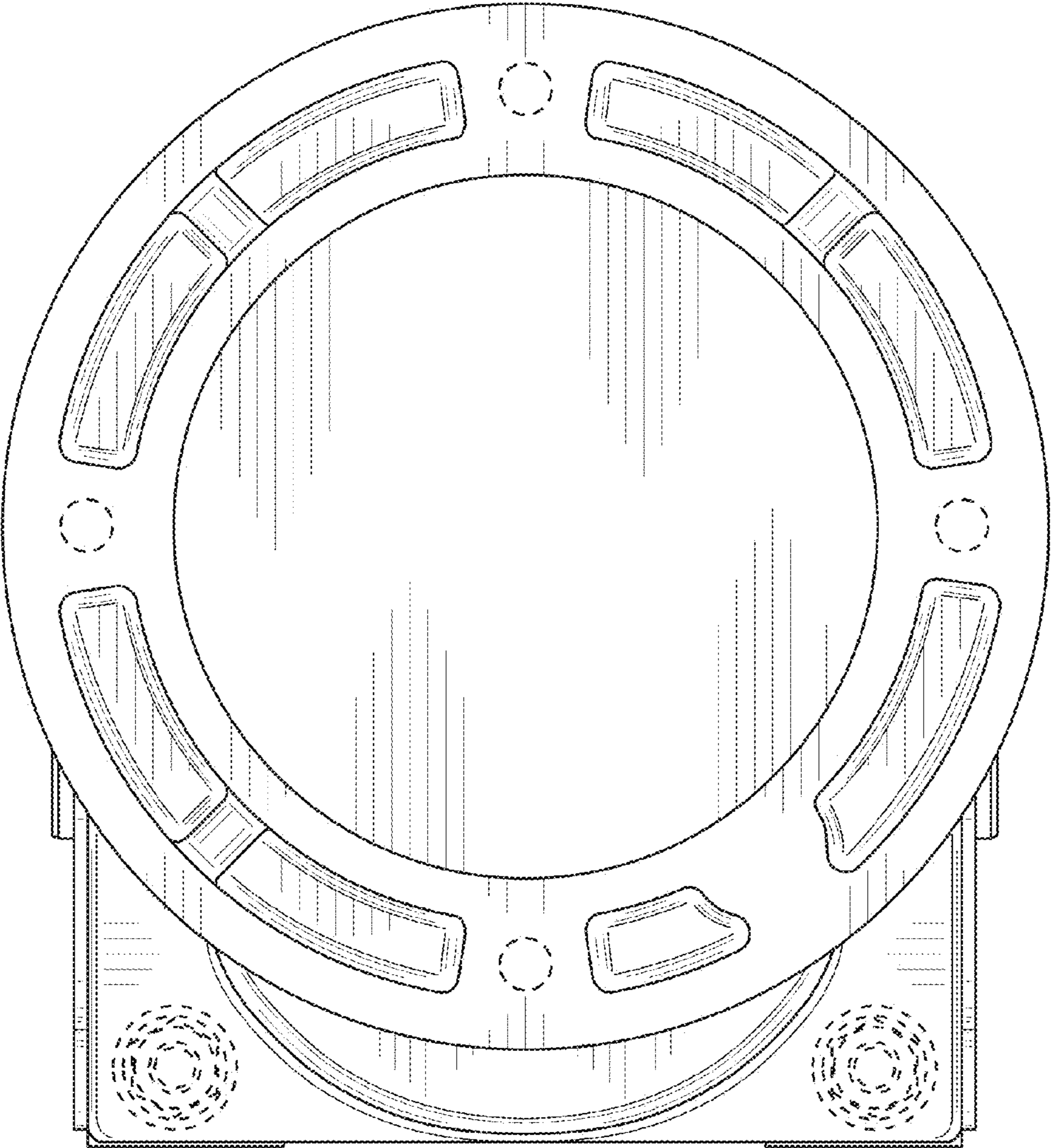


FIG. 9

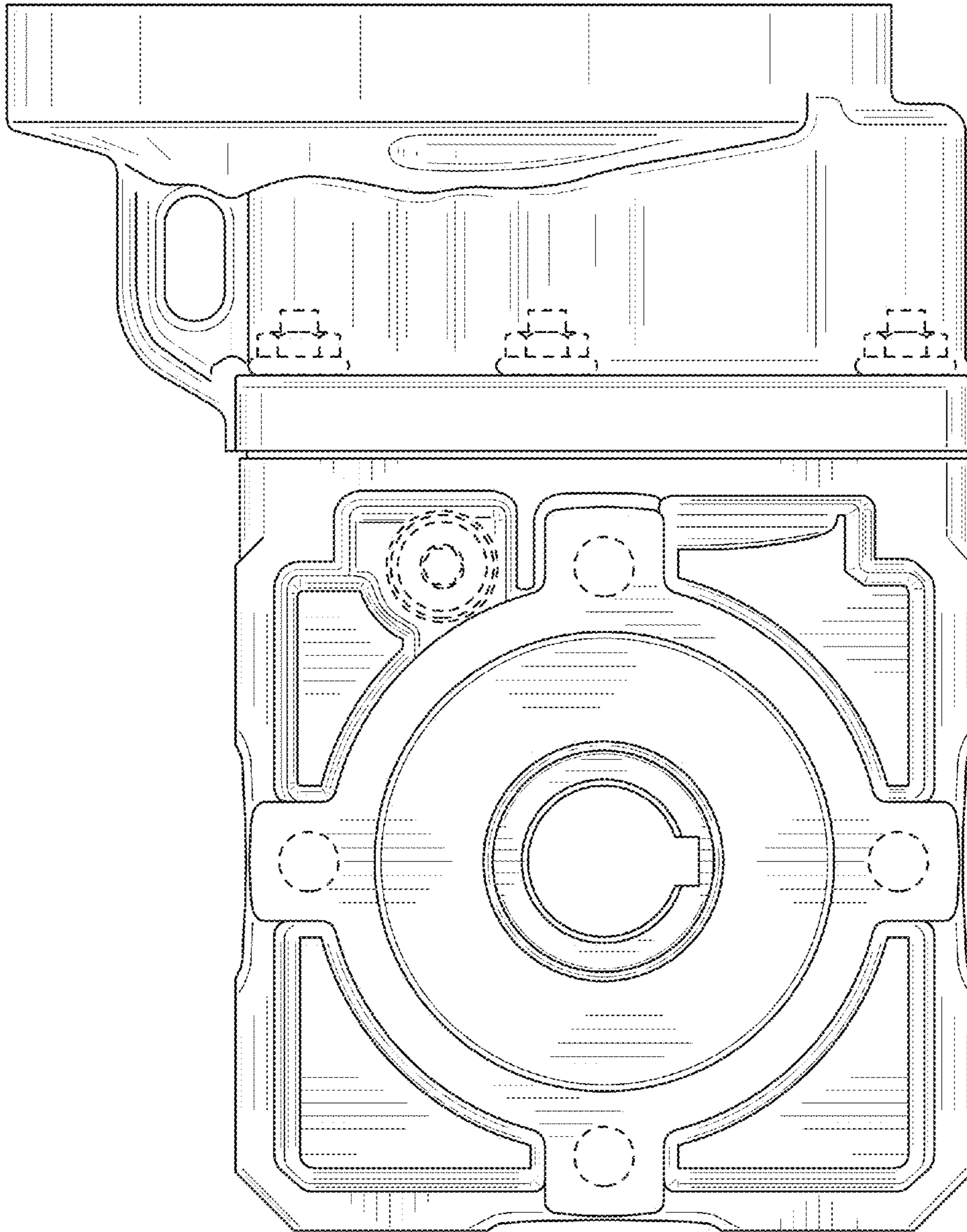


FIG. 10

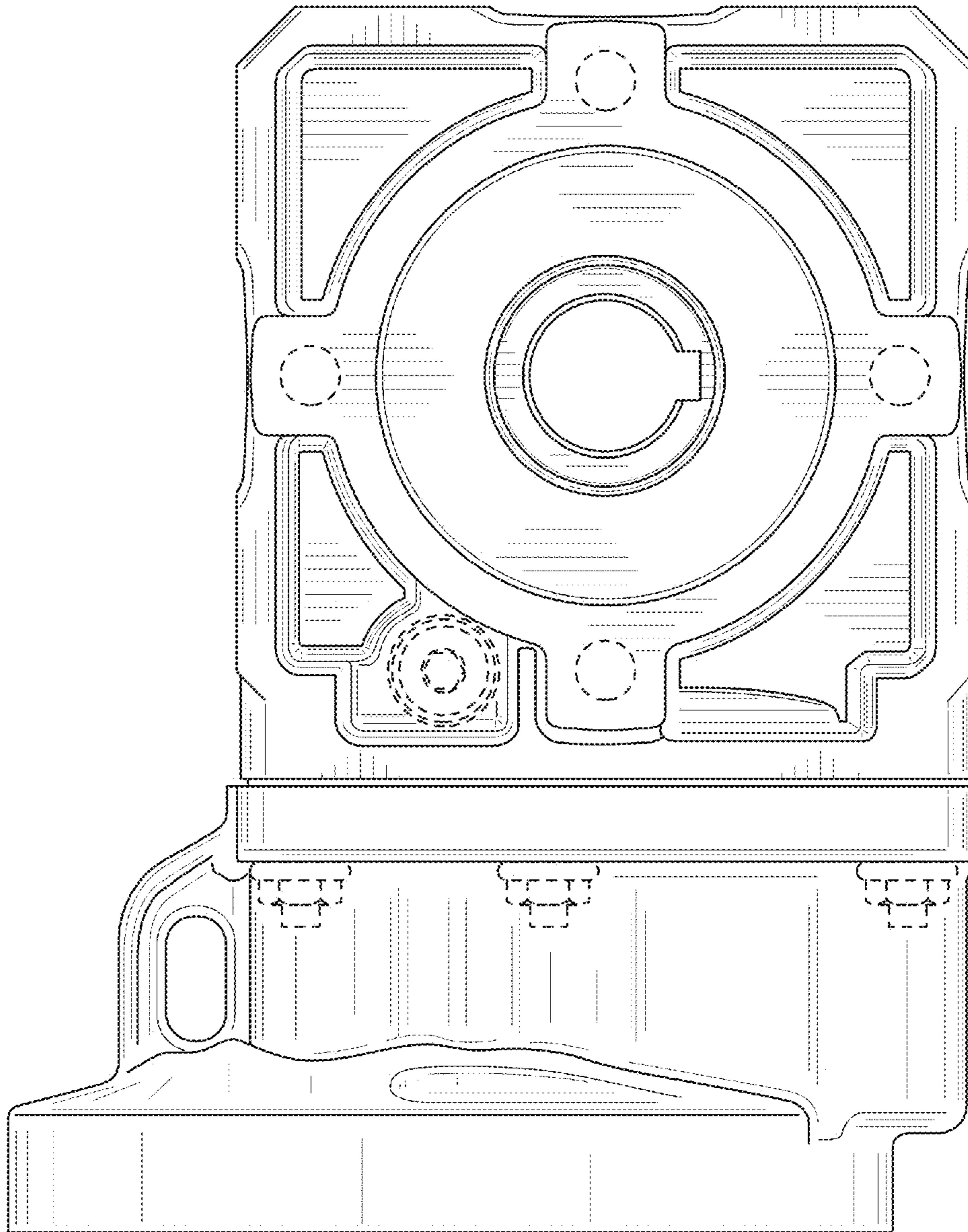


FIG. 11

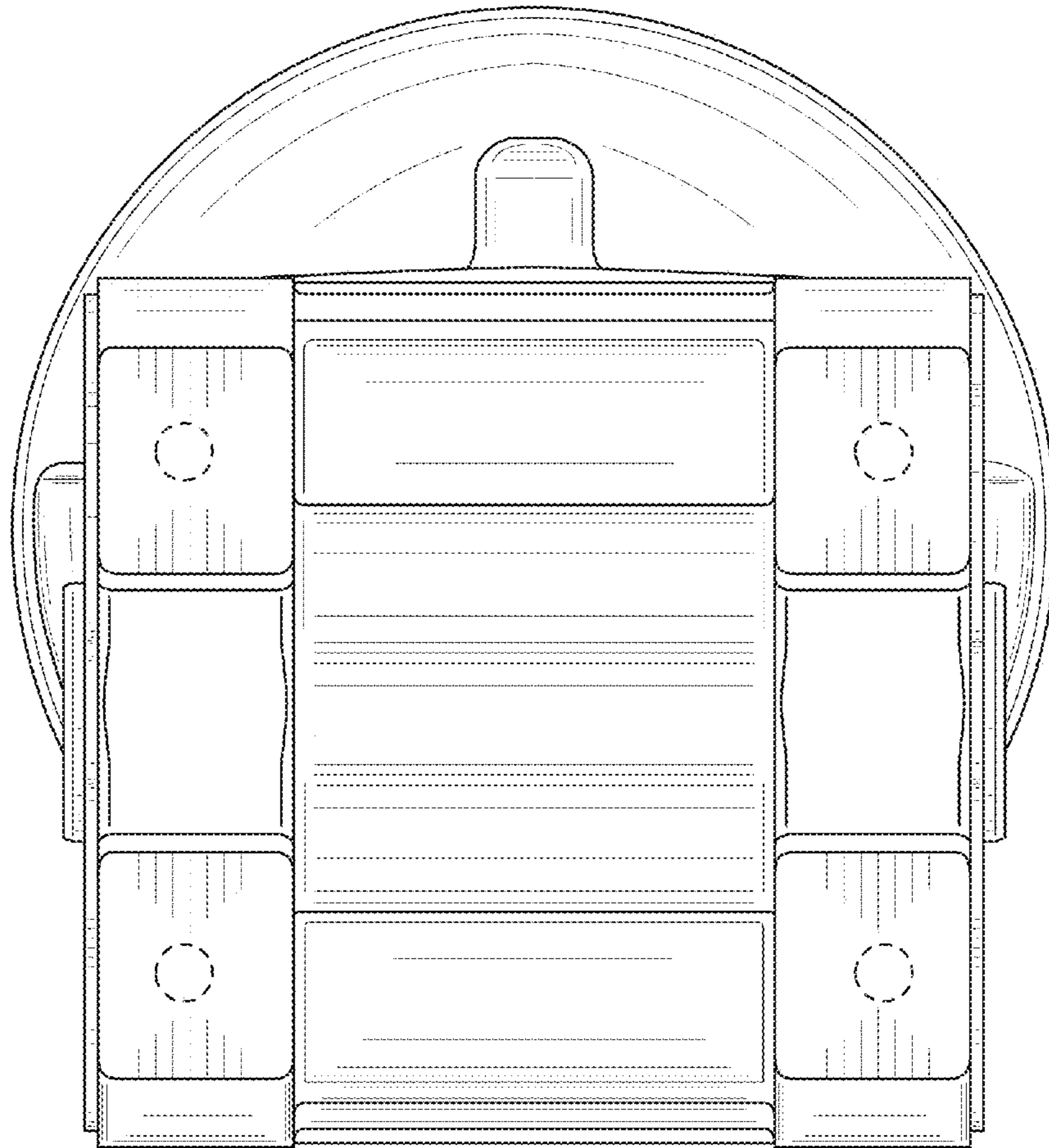


FIG. 12

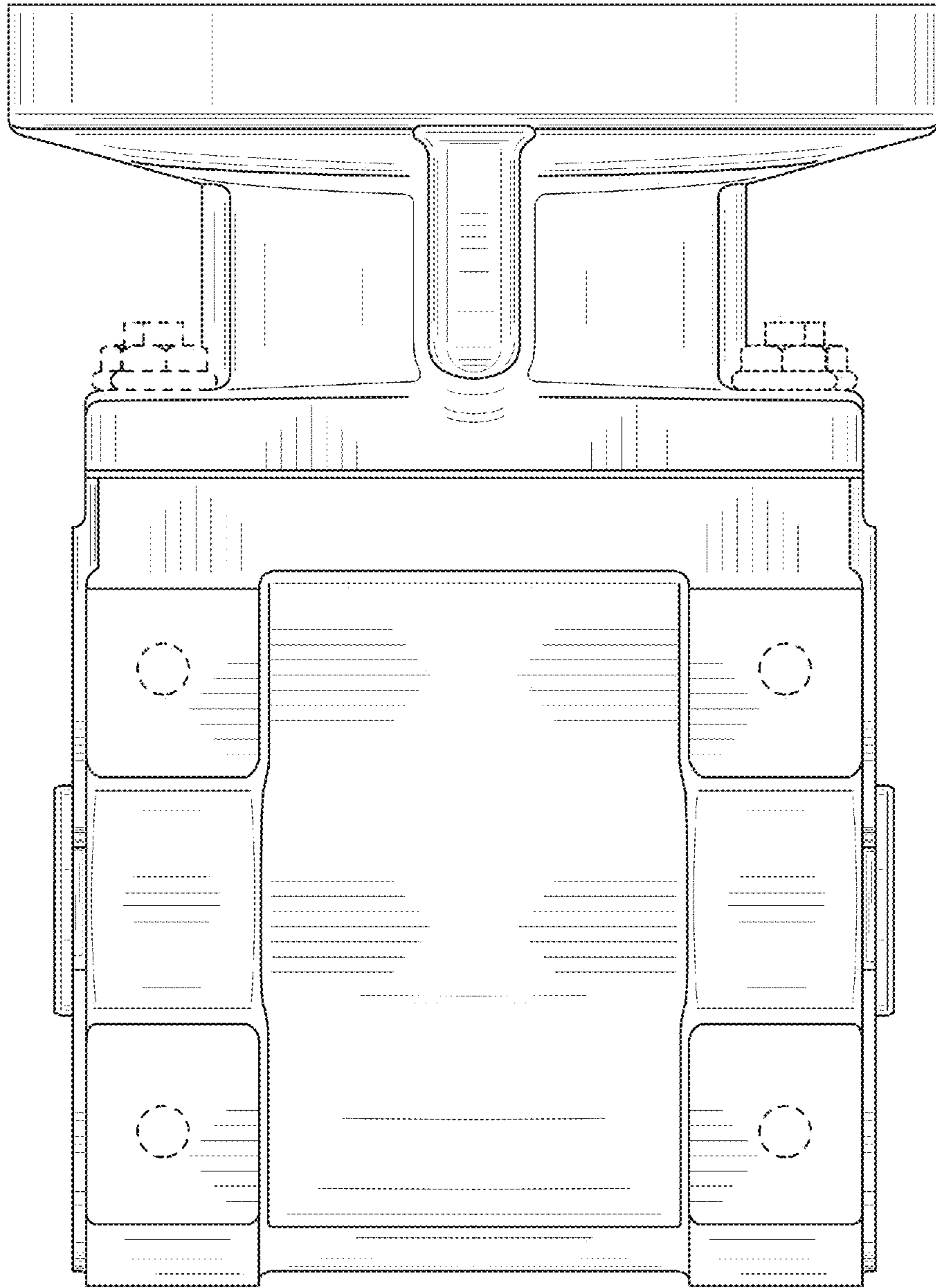


FIG. 13

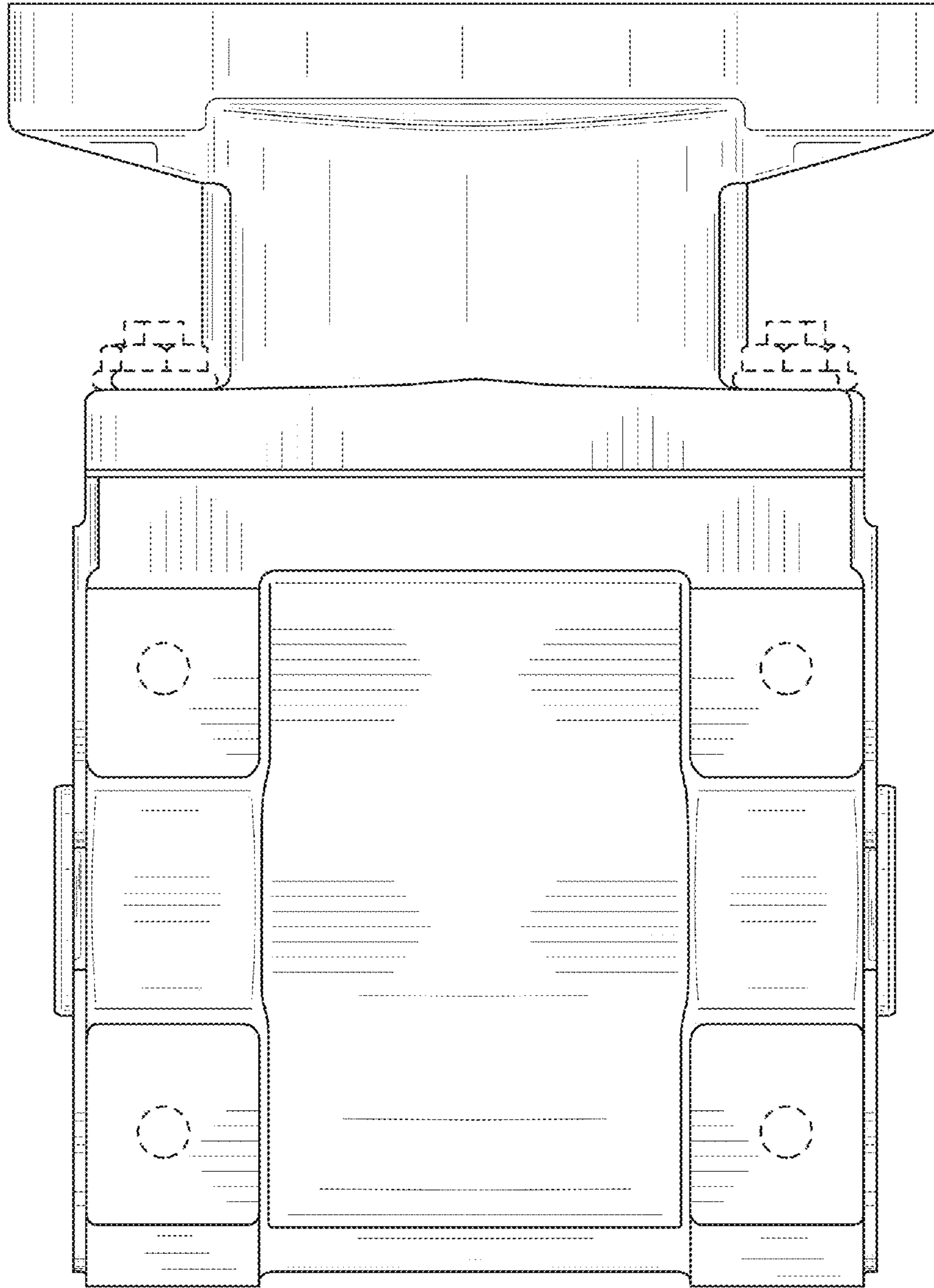


FIG. 14