



US00D710917S

(12) **United States Design Patent**  
**Jung**

(10) **Patent No.:** **US D710,917 S**

(45) **Date of Patent:** **\*\* Aug. 12, 2014**

(54) **CUTTING INSERT**

(71) Applicant: **TaeguTec Ltd.**, Daegu (KR)

(72) Inventor: **Kang Sool Jung**, Daegu (KR)

(73) Assignee: **TaeguTec Ltd.**, Daegu (KR)

(\*\*) Term: **14 Years**

(21) Appl. No.: **29/477,827**

(22) Filed: **Dec. 27, 2013**

(51) **LOC (10) Cl.** ..... **15-09**

(52) **U.S. Cl.**  
USPC ..... **D15/139**

(58) **Field of Classification Search**  
USPC ..... D8/70, 71; D15/131, 138, 139, 140;  
407/35, 42, 112-119

See application file for complete search history.

(56) **References Cited**

**U.S. PATENT DOCUMENTS**

5,934,844	A *	8/1999	Woolley	407/114
D638,452	S *	5/2011	Morrison et al.	D15/139
D658,218	S *	4/2012	Morrison et al.	D15/139
2009/0052998	A1 *	2/2009	Sladek et al.	407/61
2011/0103905	A1 *	5/2011	Morrison et al.	407/48
2011/0116878	A1 *	5/2011	Ebert et al.	407/103
2012/0045289	A1 *	2/2012	Ishi	409/132
2012/0070239	A1 *	3/2012	Park et al.	407/42

2012/0093596	A1 *	4/2012	Ishi	407/113
2012/0155976	A1 *	6/2012	Ishi	407/33
2012/0251250	A1 *	10/2012	Morrison et al.	407/42
2013/0251466	A1 *	9/2013	Rao et al.	407/113
2013/0279994	A1 *	10/2013	Morrison et al.	407/64
2013/0330135	A1 *	12/2013	Burtscher et al.	407/42
2014/0003874	A1 *	1/2014	Riviere et al.	407/64

\* cited by examiner

*Primary Examiner* — Patricia Palasik

(74) *Attorney, Agent, or Firm* — Hamre, Schumann, Mueller & Larson, P.C.

(57) **CLAIM**

The ornamental design for a cutting insert, as shown and described.

**DESCRIPTION**

FIG. 1 is a perspective view of a cutting insert showing my new design;  
 FIG. 2 is a front elevational view thereof;  
 FIG. 3 is a rear elevational view thereof;  
 FIG. 4 is a left side view thereof;  
 FIG. 5 is a right side view thereof;  
 FIG. 6 is a top plan view thereof;  
 FIG. 7 is a bottom plan view thereof; and,  
 FIG. 8 is a cross-sectional view taken along line 8-8 of FIG. 2.

**1 Claim, 4 Drawing Sheets**

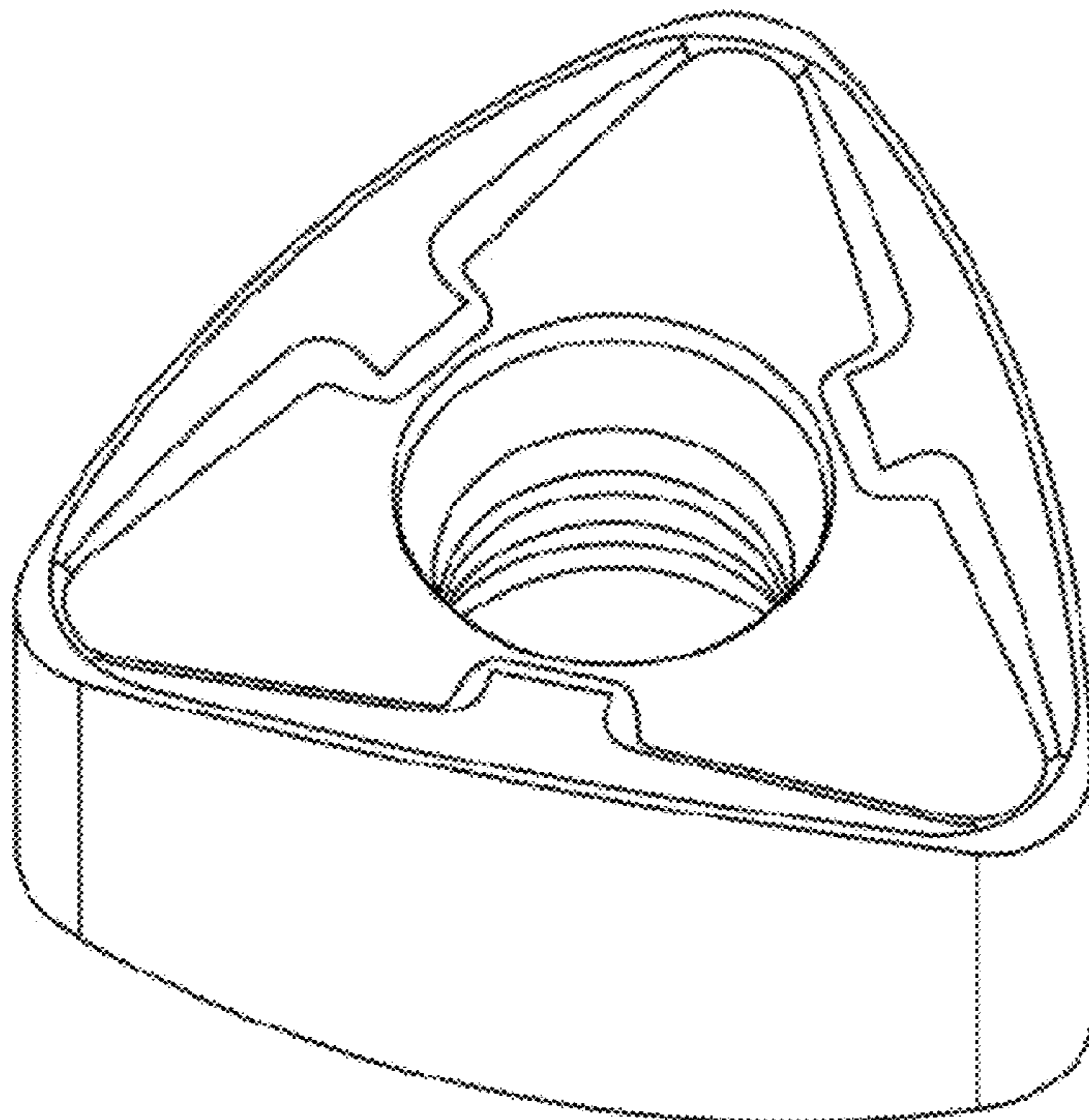


FIG. 1

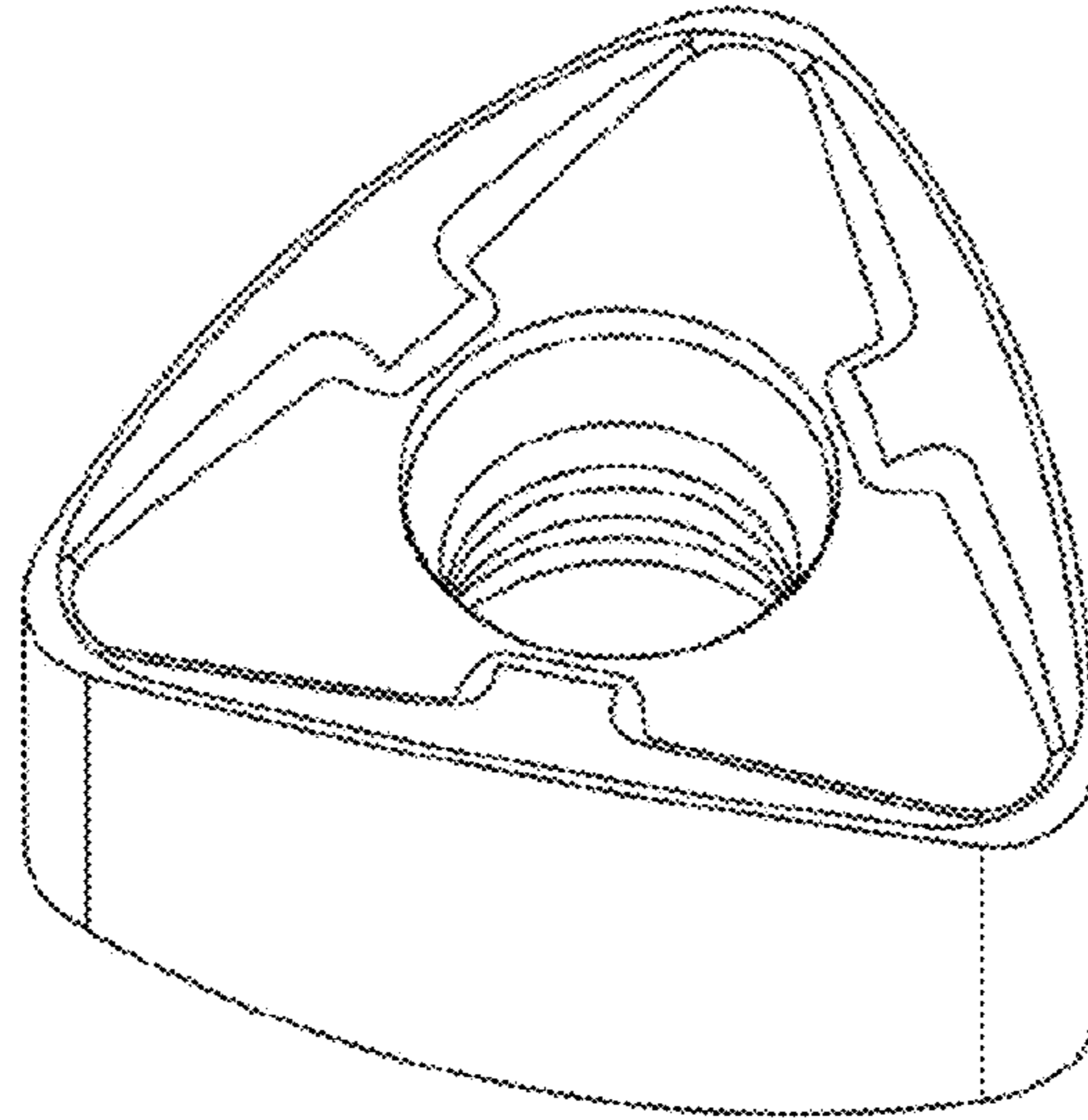


FIG. 2

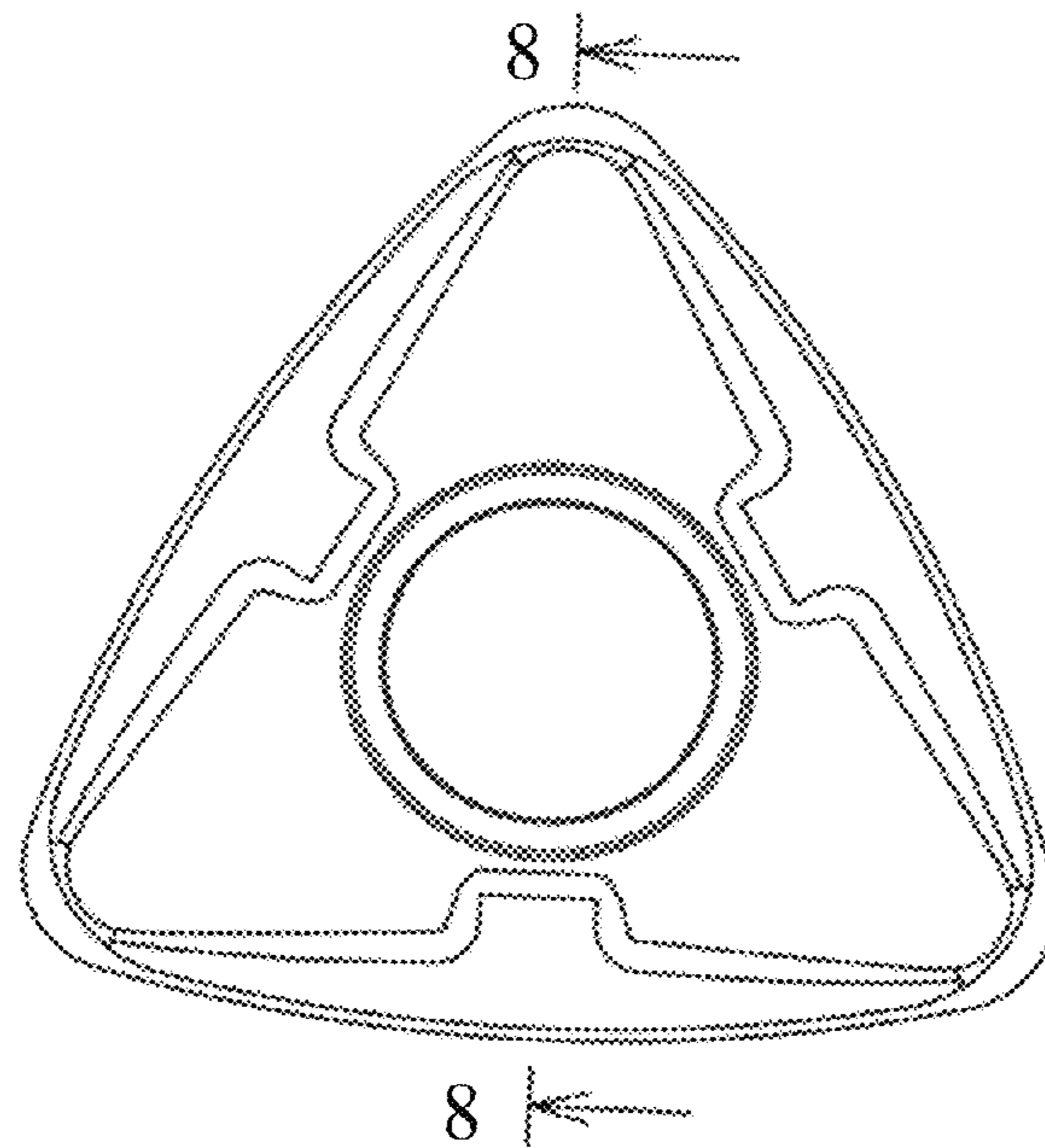


FIG. 3

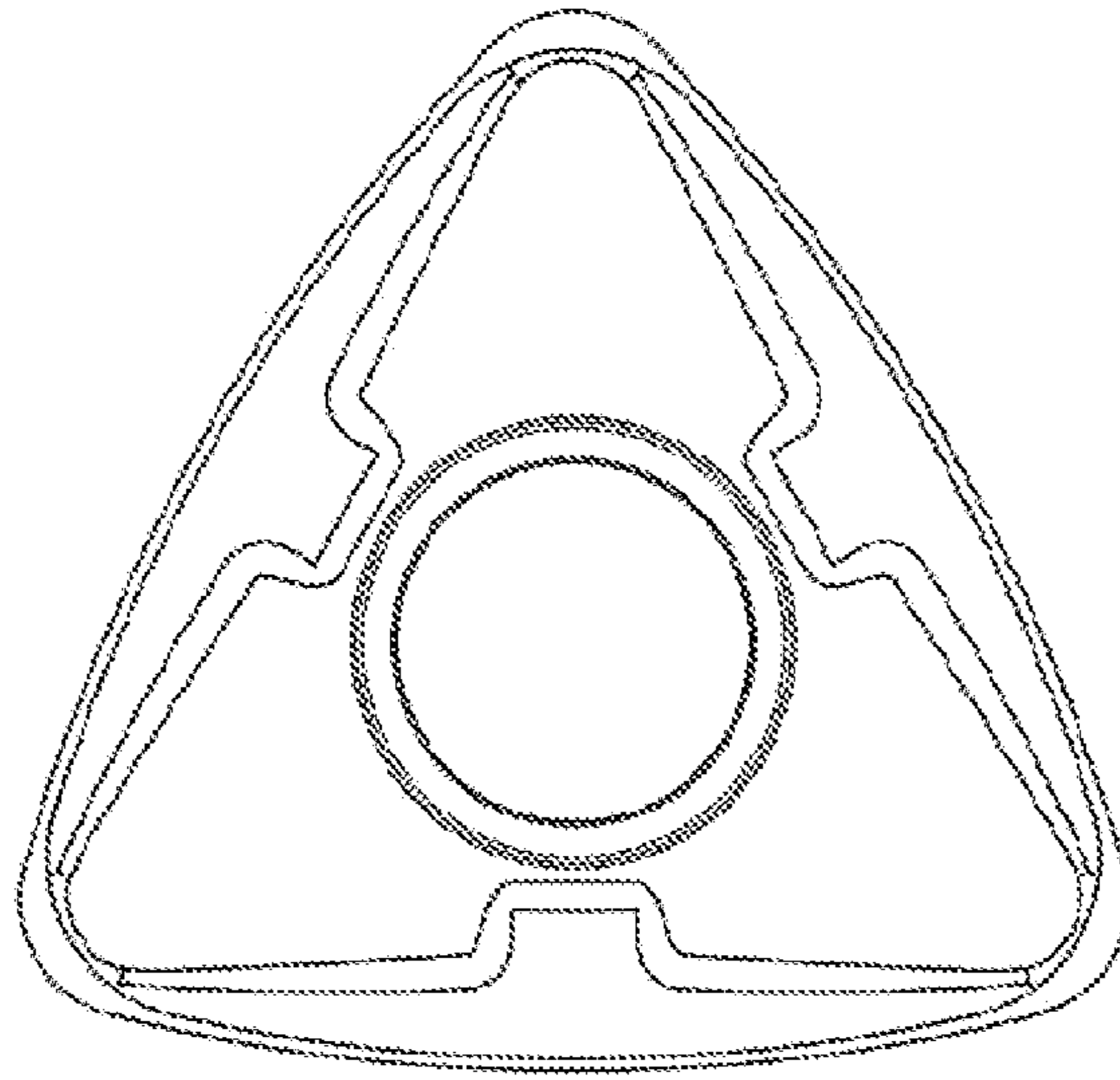


FIG. 4

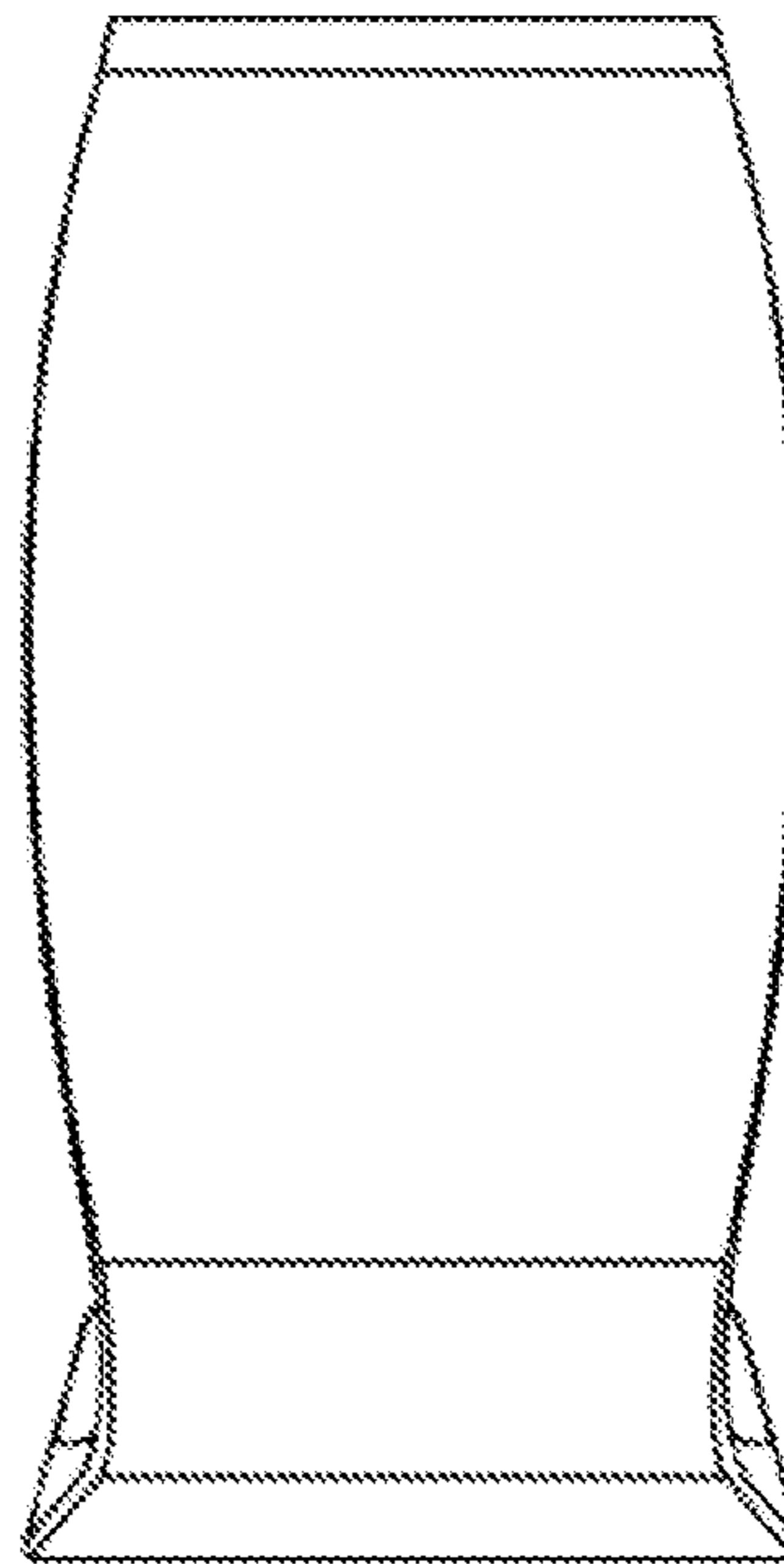


FIG. 5

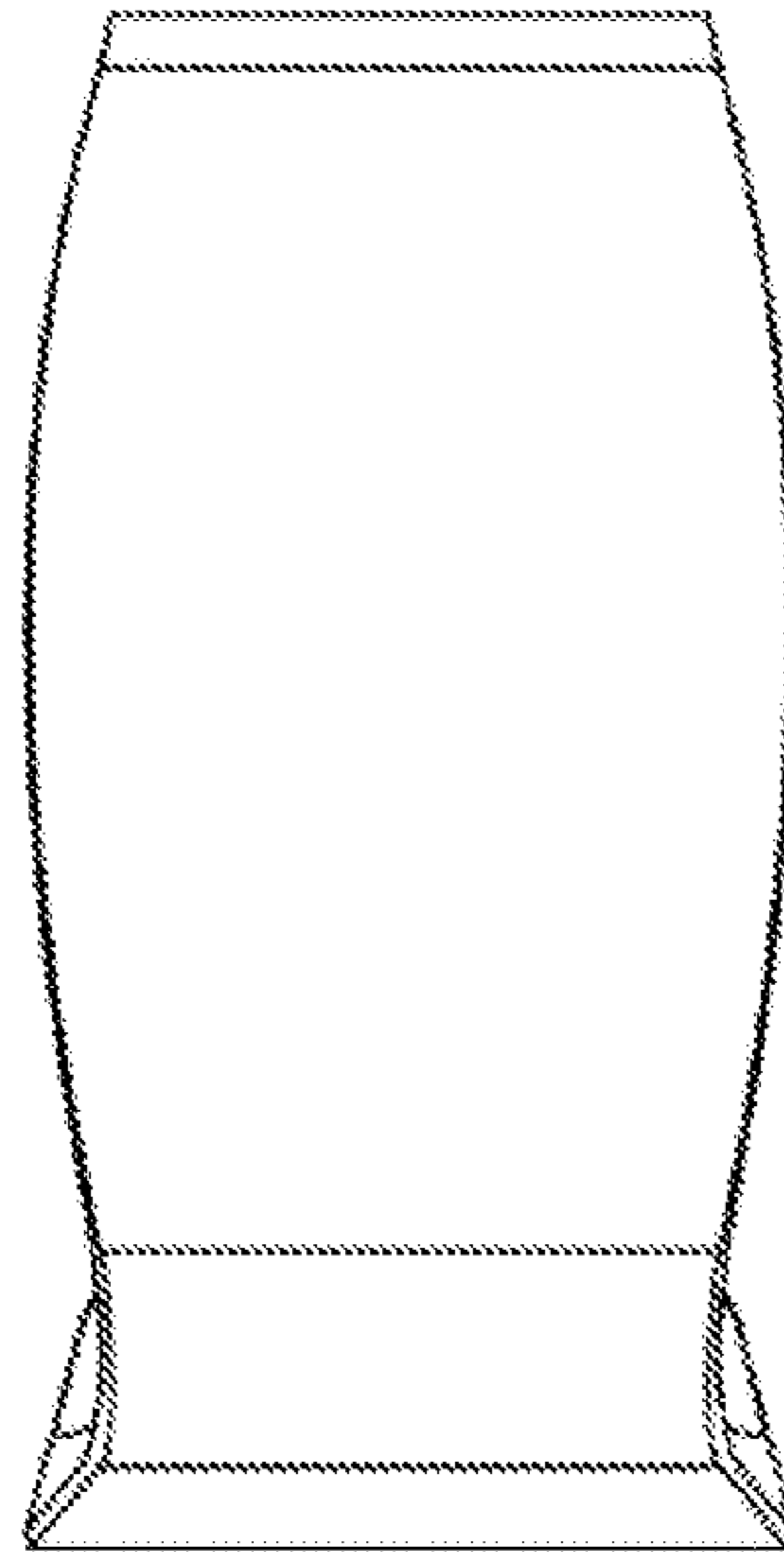


FIG. 6

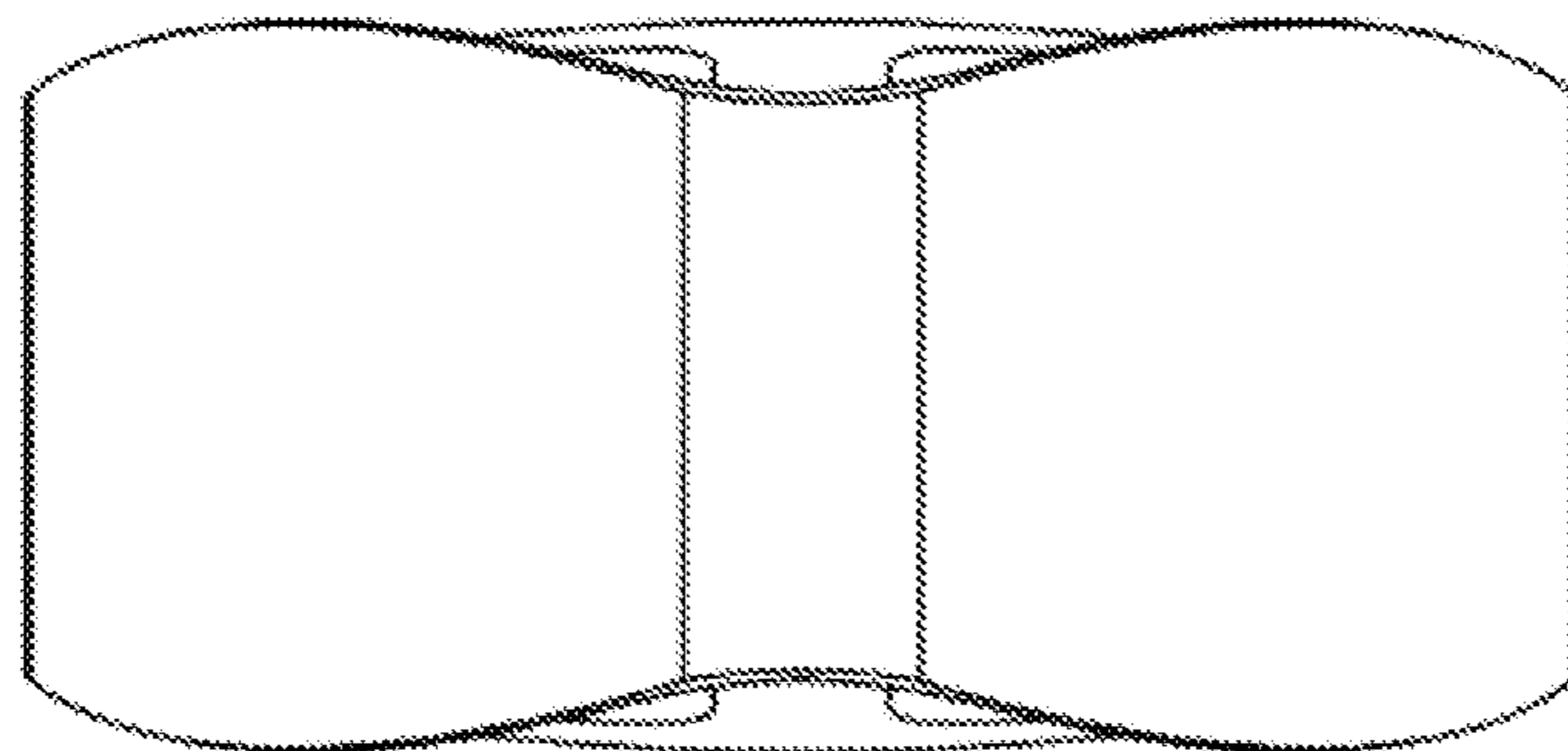


FIG. 7

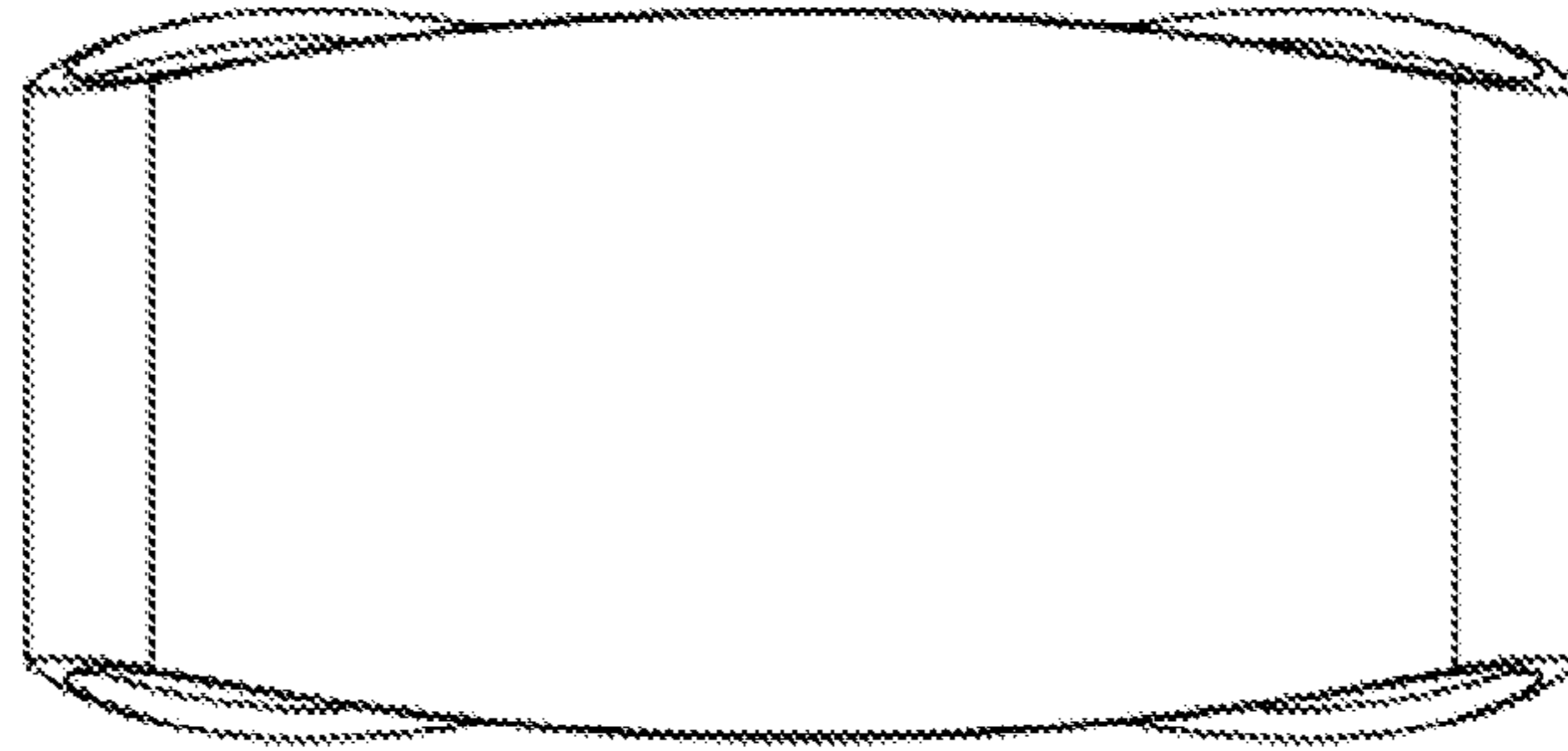


FIG. 8

