



US00D710916S

(12) **United States Design Patent**
Hines

(10) **Patent No.:** **US D710,916 S**

(45) **Date of Patent:** **** Aug. 12, 2014**

(54) **PARALLEL PLATE CONDITIONER INSERT**

2014/0091080 A1* 4/2014 Nauditt et al. 219/553

(76) Inventor: **A. Steven Hines**, Dilley, TX (US)

* cited by examiner

(**) Term: **14 Years**

Primary Examiner — Patricia Palasik

(21) Appl. No.: **29/395,842**

(74) *Attorney, Agent, or Firm* — C. W. Alworth

(22) Filed: **Apr. 9, 2012**

(51) **LOC (10) Cl.** **15-09**

(52) **U.S. Cl.**

USPC **D15/138; D15/150**

(58) **Field of Classification Search**

USPC D15/138, 150, 151, 152, 199

See application file for complete search history.

(56) **References Cited**

U.S. PATENT DOCUMENTS

4,515,513 A * 5/1985 Hayase et al. 418/101
D397,702 S * 9/1998 Aufderheide et al. D15/135
2012/0247223 A1* 10/2012 Sawchuk et al. 73/861

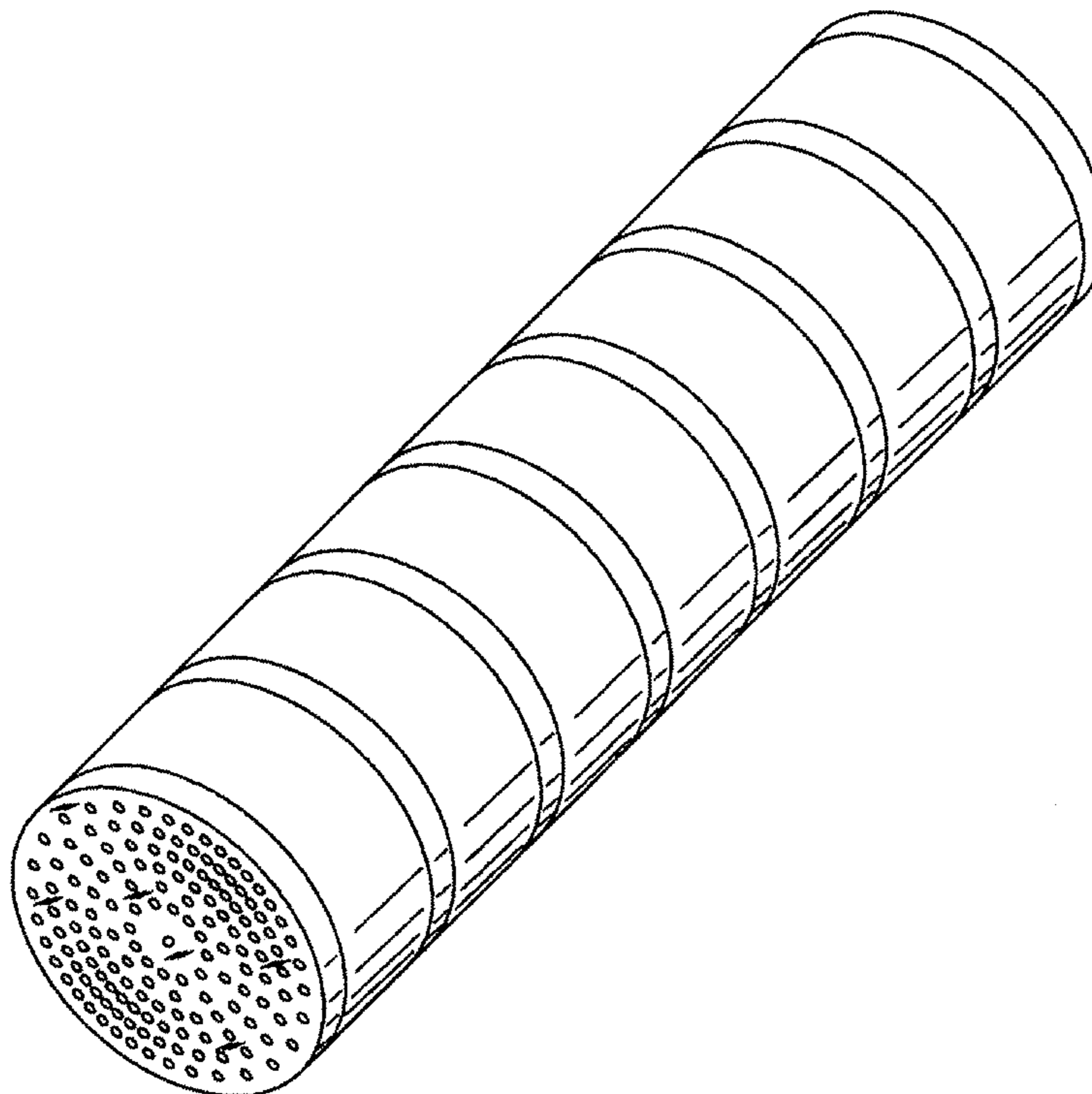
(57) **CLAIM**

The ornamental design for a parallel plate conditioner insert, as shown and described.

DESCRIPTION

FIG. 1, is an isometric view of my new parallel plate conditioner insert, showing the top;
FIG. 2, is a side elevational view of said insert thereof;
FIG. 3, is a top view of said case insert, shown at twice scale of FIG. 2, to illustrate the apertures in said top thereof; and,
FIG. 4, is a bottom view of said insert, shown at twice scale of FIG. 2, to illustrate the apertures in said bottom thereof.

1 Claim, 3 Drawing Sheets



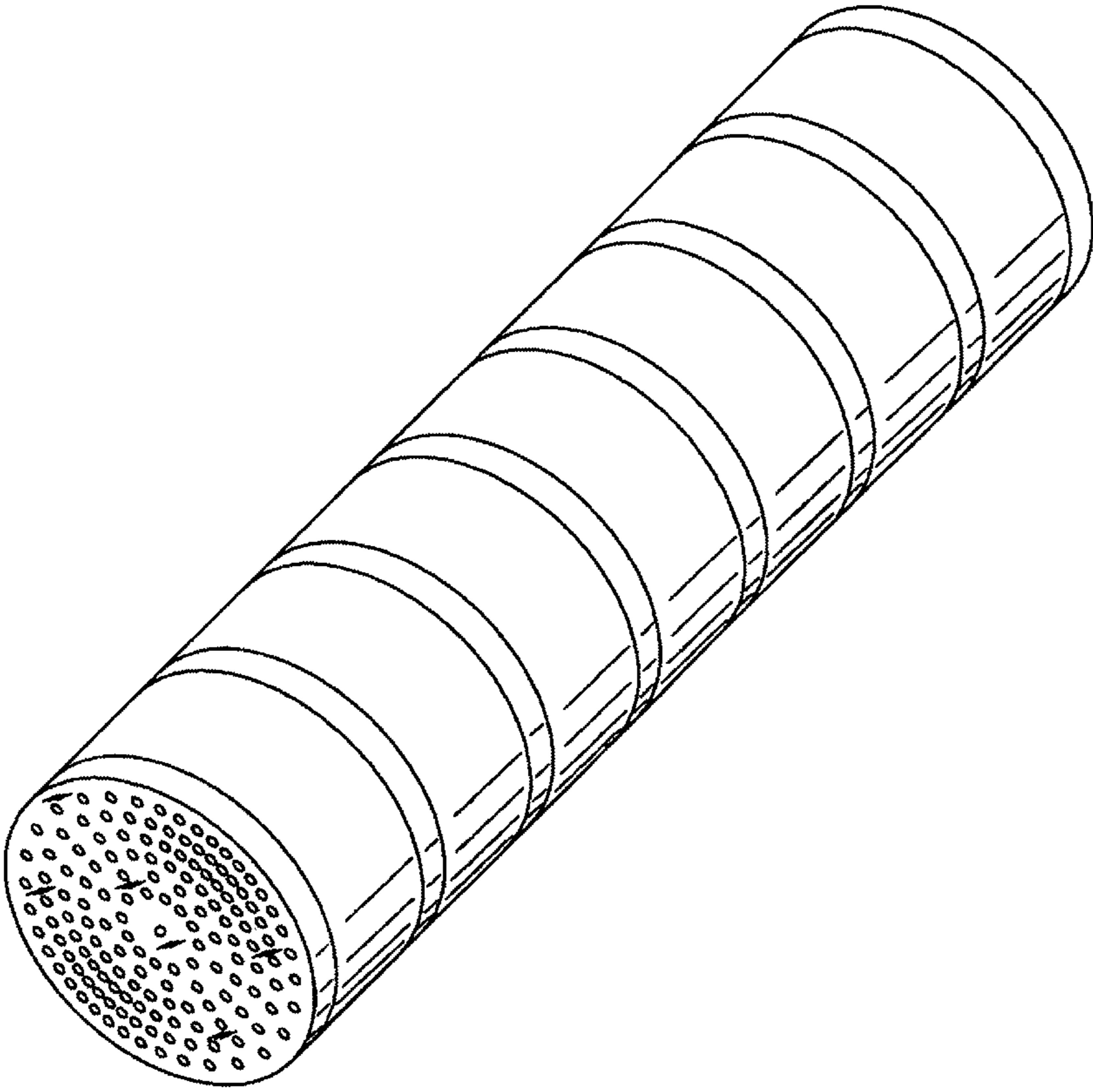


Figure 1

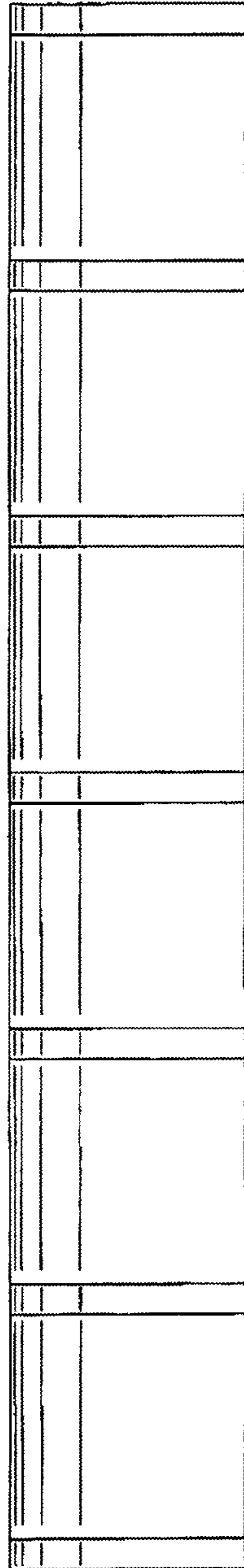


Figure 2

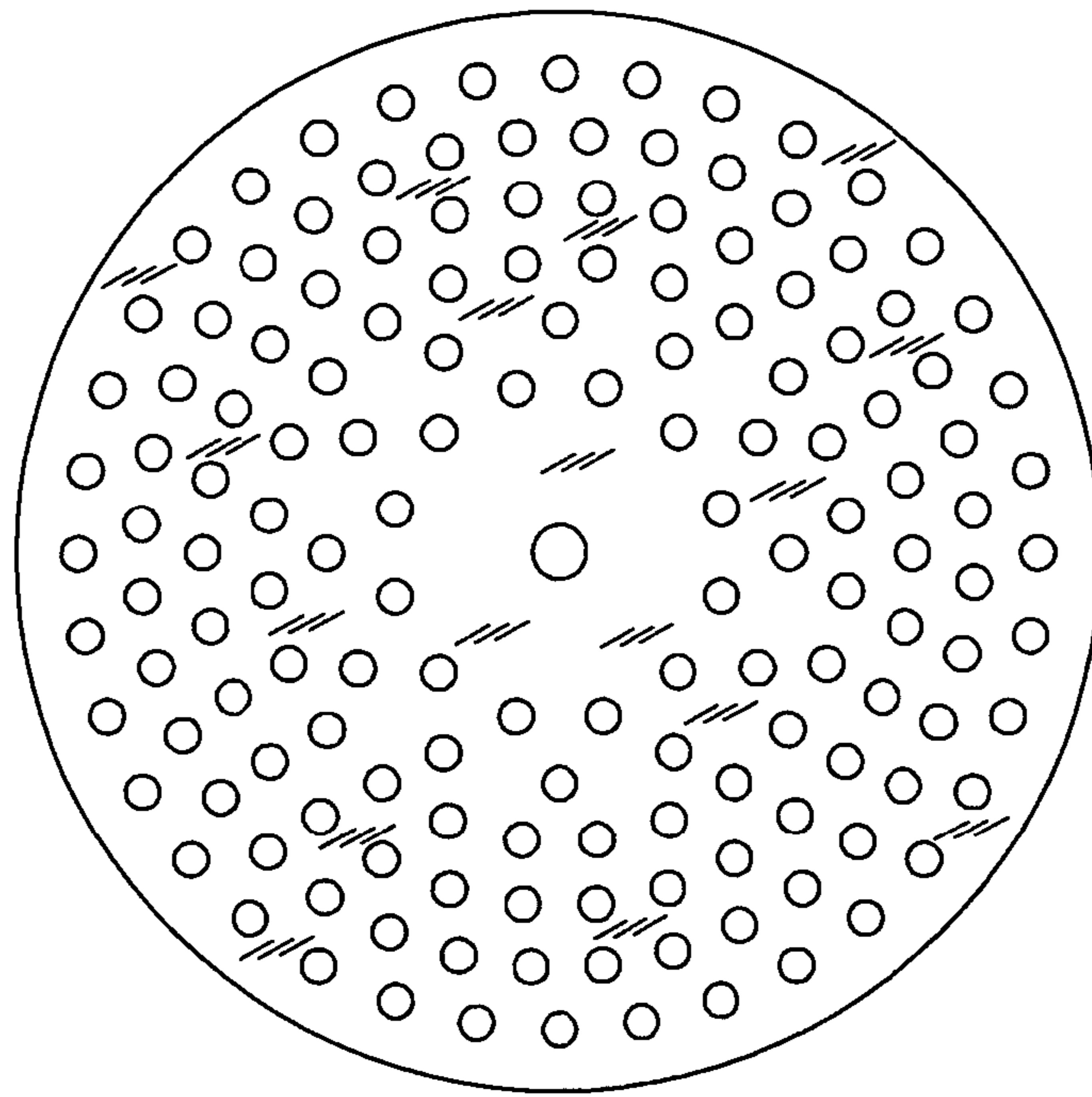


Figure 3

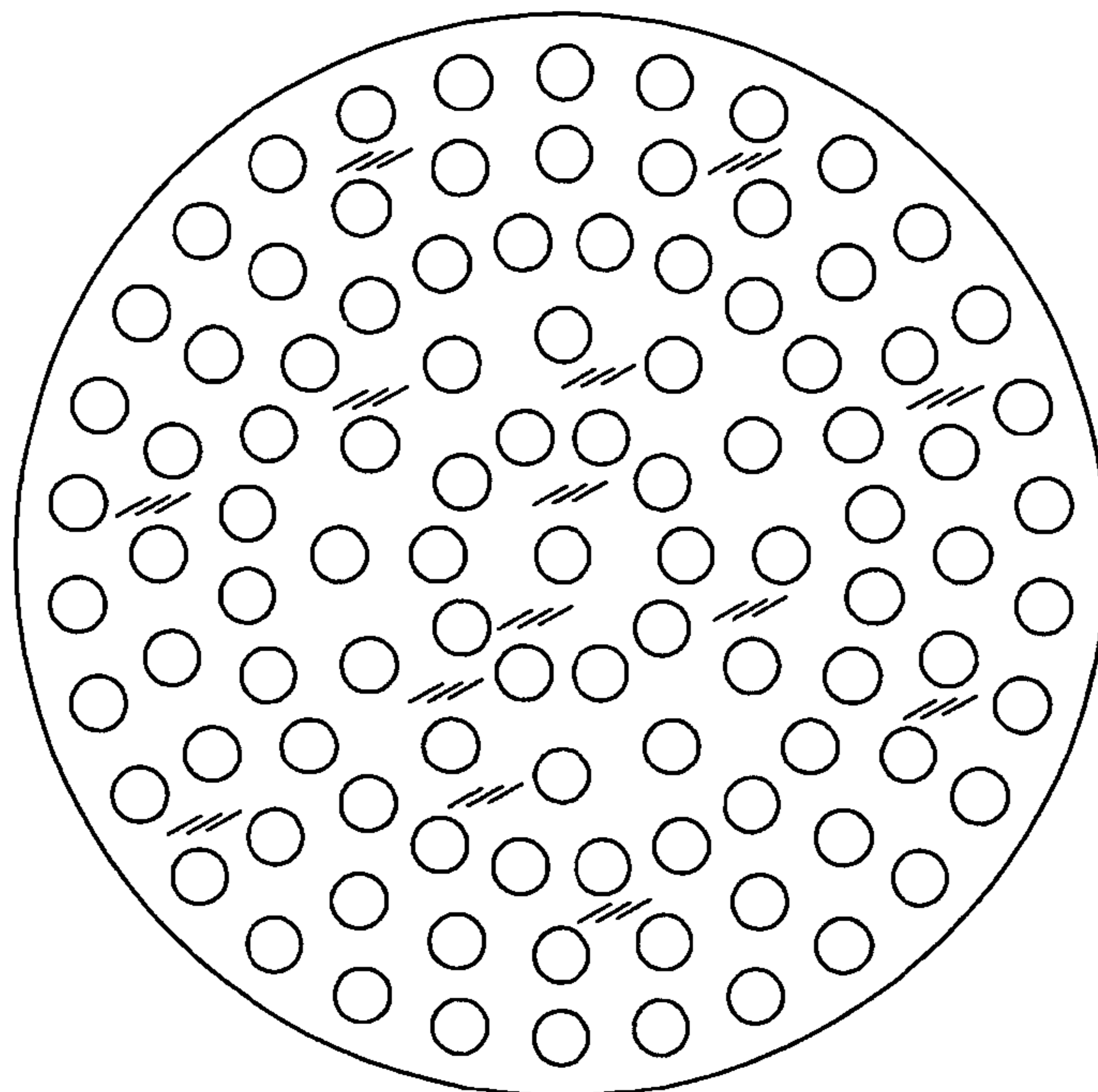


Figure 4