



US00D710914S

(12) **United States Design Patent**
Park et al.

(10) **Patent No.:** **US D710,914 S**

(45) **Date of Patent:** **** Aug. 12, 2014**

(54) **SHELF**

(71) Applicant: **Samsung Electronics Co., Ltd.**,
Suwon-Si (KR)

(72) Inventors: **Seojin Park**, Seoul (KR); **Dajeong Kim**,
Seoul (KR)

(73) Assignee: **Samsung Electronics Co., Ltd.**,
Gyeonggi-do (KR)

(**) Term: **14 Years**

(21) Appl. No.: **29/453,753**

(22) Filed: **May 2, 2013**

(30) **Foreign Application Priority Data**

Nov. 5, 2012 (KR) 30-2012-0052716

(51) **LOC (10) Cl.** **15-07**

(52) **U.S. Cl.**
USPC **D15/89**

(58) **Field of Classification Search**
USPC D15/79-89, 91; 62/3.6, 125, 126, 187,
62/246-255, 441-445; 312/116, 138.1,
312/236, 321.5, 330.1, 400-409, 351,
312/139.2, 128.3; 211/153, 90.02; D7/328,
D7/339-349, 351; D25/48.7
See application file for complete search history.

(56) **References Cited**

U.S. PATENT DOCUMENTS

5,567,029 A * 10/1996 Haenisch et al. 312/405.1
6,908,163 B1 * 6/2005 Hebel et al. 312/405.1
D522,542 S * 6/2006 Czach et al. D15/89
D525,368 S * 7/2006 Clark D25/48.7

D603,883 S * 11/2009 Placke et al. D15/89
D618,363 S * 6/2010 Card D25/48.7
D654,314 S * 2/2012 Benold D7/405
D661,325 S * 6/2012 Yang et al. D15/89
D675,235 S * 1/2013 Covert D15/89
8,522,566 B2 * 9/2013 Leclear et al. 62/137
D694,288 S * 11/2013 Hottmann et al. D15/89
D700,358 S * 2/2014 Myles D25/48.7

* cited by examiner

Primary Examiner — Thomas Johannes

Assistant Examiner — Khawaja Anwar

(74) *Attorney, Agent, or Firm* — Harness, Dickey & Pierce,
P.L.C.

(57) **CLAIM**

The ornamental design for a shelf, as shown and described.

DESCRIPTION

FIG. 1 is the front/right-side/top perspective view of a shelf showing our new design;

FIG. 2 is the front-side elevation view thereof;

FIG. 3 is the rear-side elevation view thereof;

FIG. 4 is the left-side elevation view thereof;

FIG. 5 is the right-side elevation view thereof;

FIG. 6 is the top-side elevation view thereof;

FIG. 7 is the bottom-side elevation view thereof;

FIG. 8 shows the shelf in a usage position; and,

FIG. 9 shows the shelf installed in an unclaimed environment.

The inventors contemplate that other embodiments of their design may include any part, portion, element or combination of elements of the claimed design.

The broken lines in the drawing show unclaimed environment only and form no part of the claimed design.

1 Claim, 8 Drawing Sheets

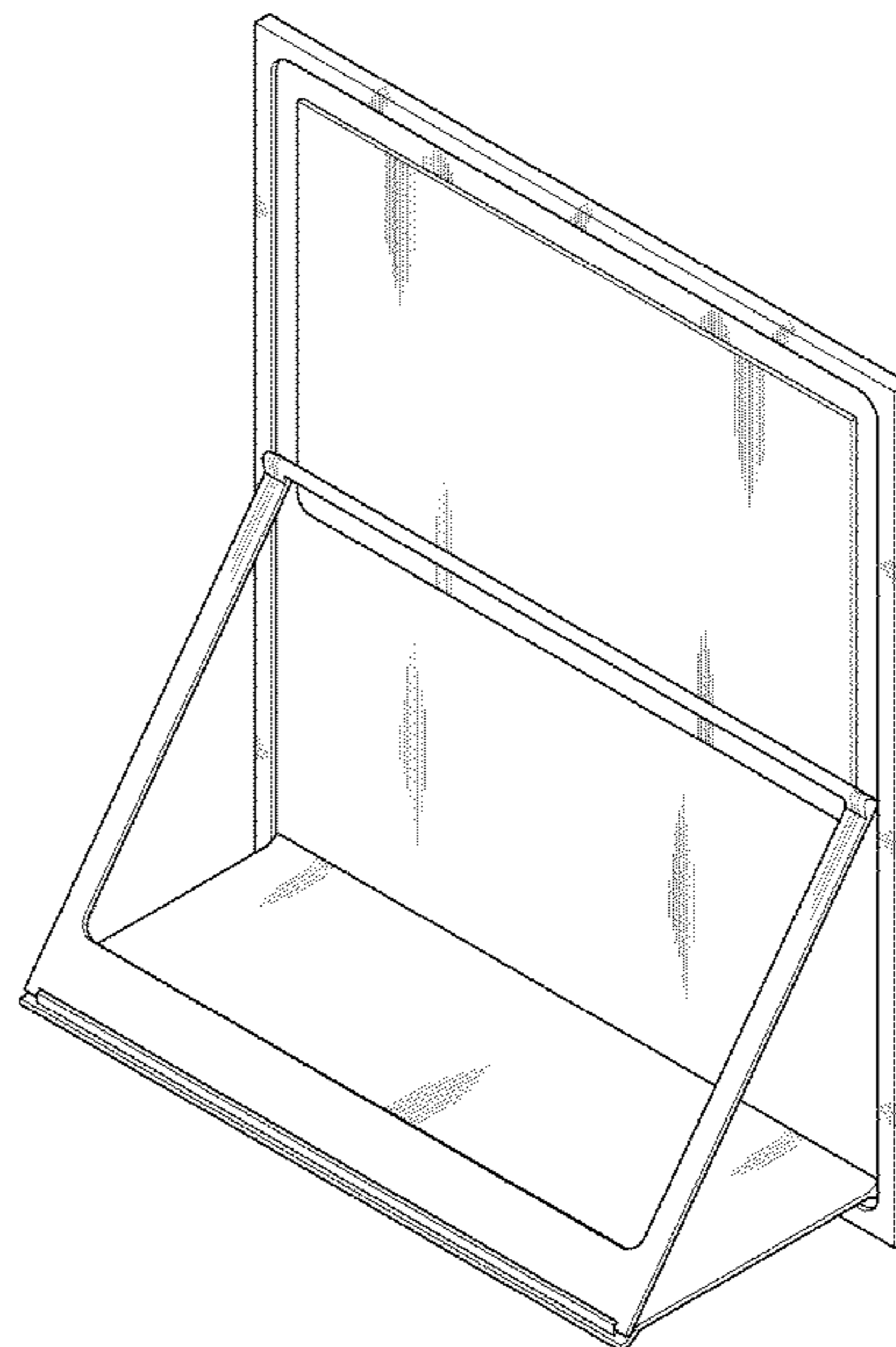
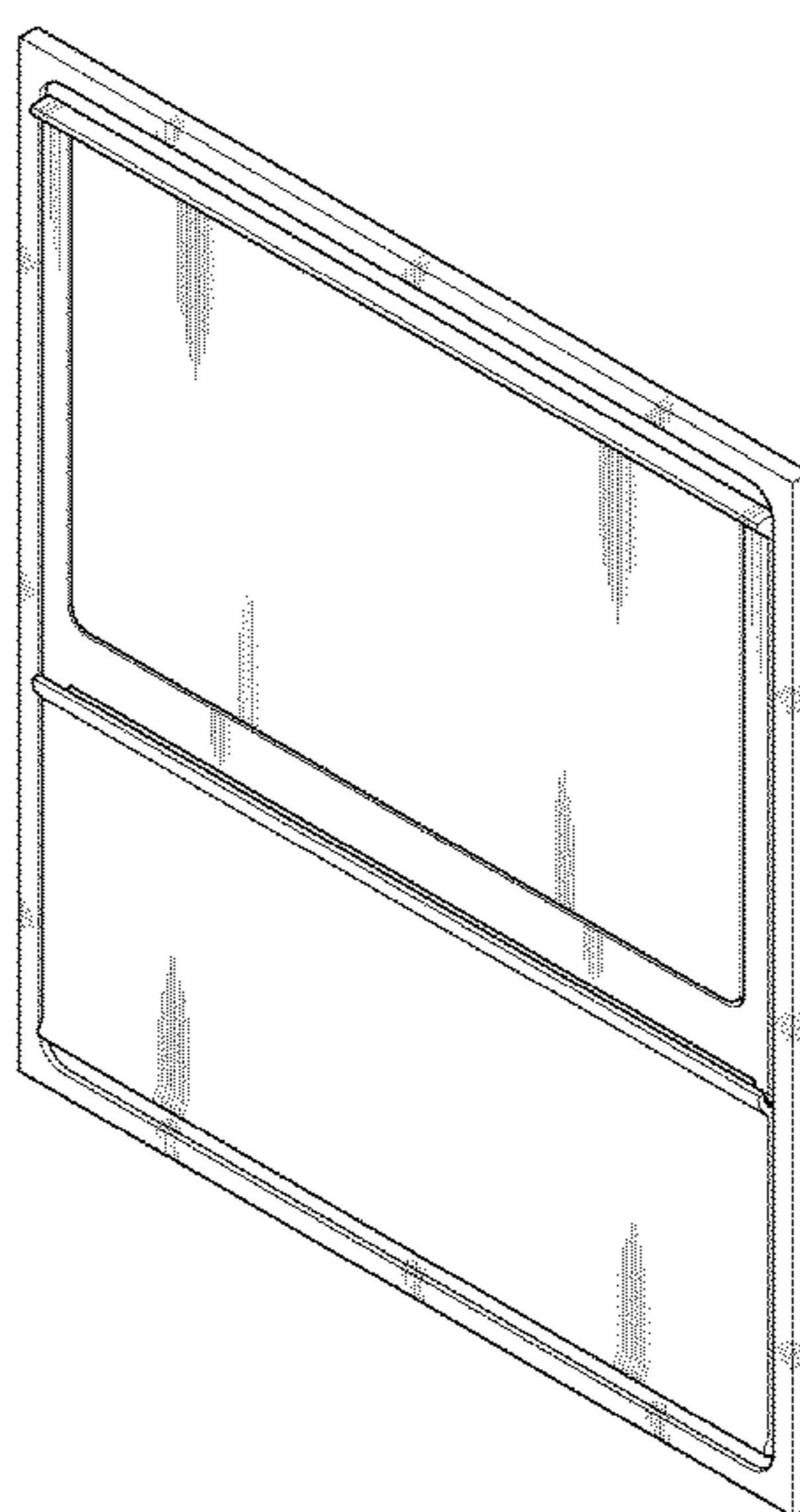


FIG. 1

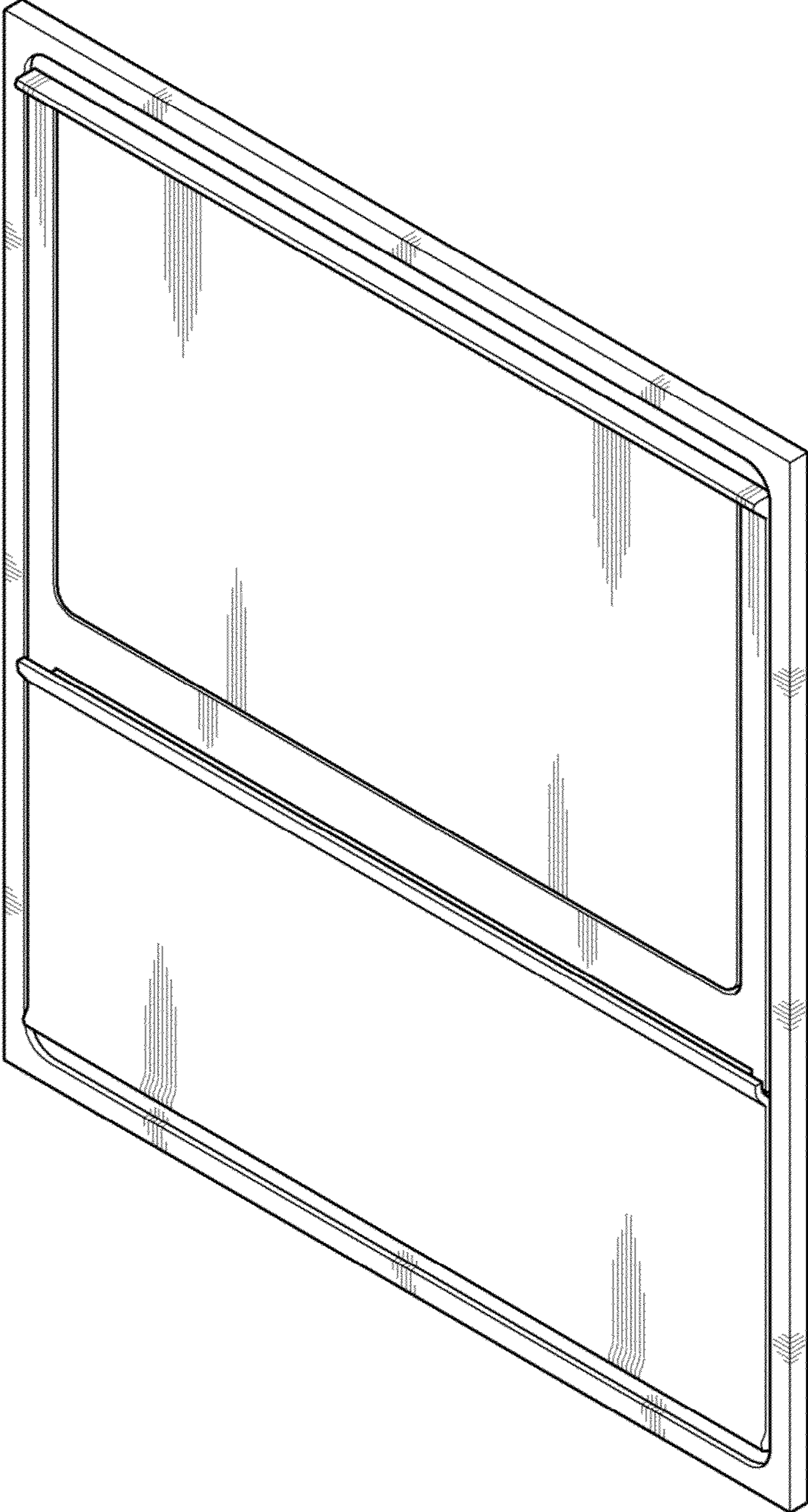


FIG. 2

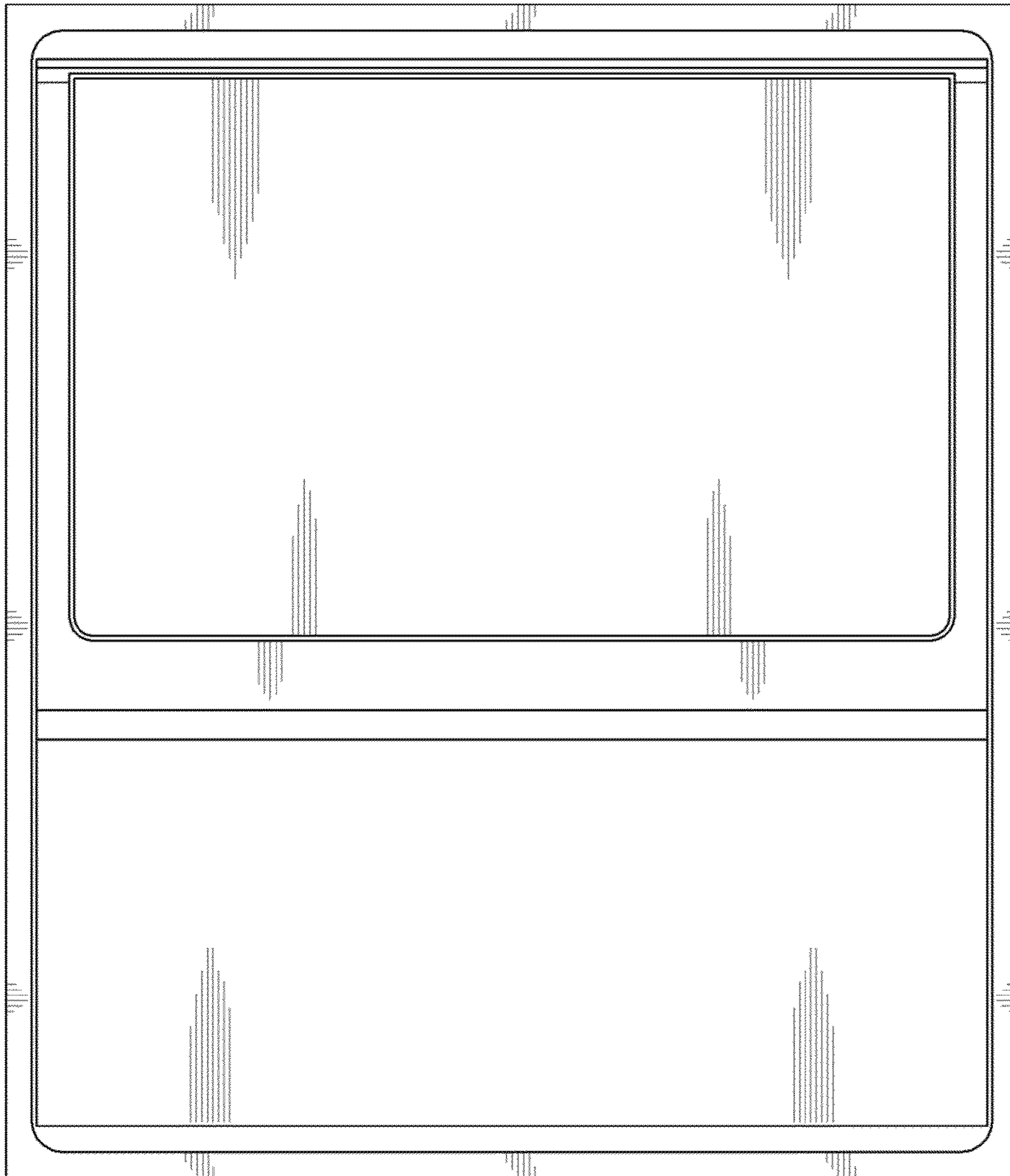


FIG. 3

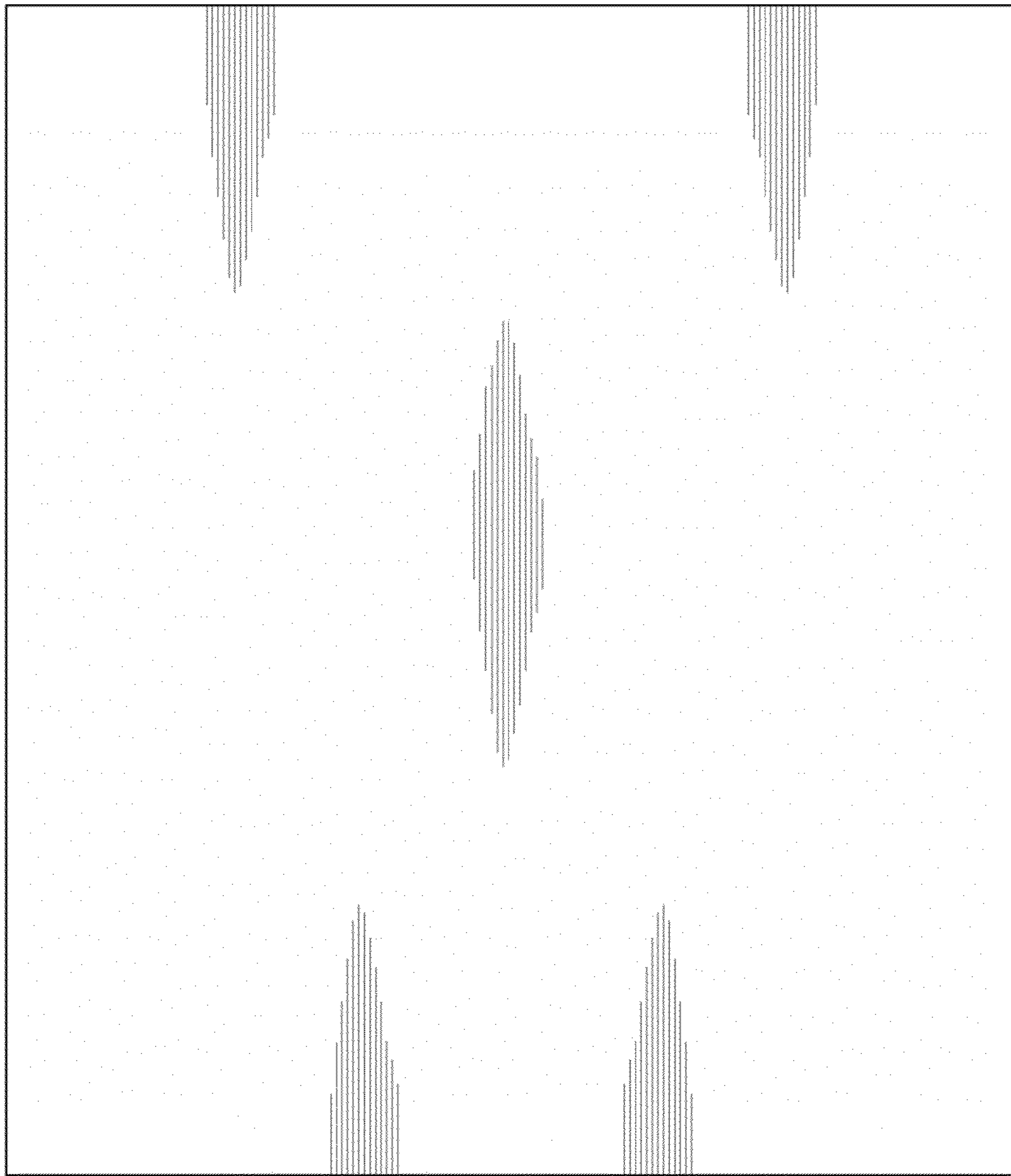


FIG. 4



FIG. 5



FIG. 6

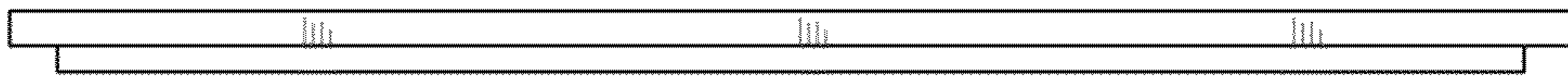


FIG. 7



FIG. 8

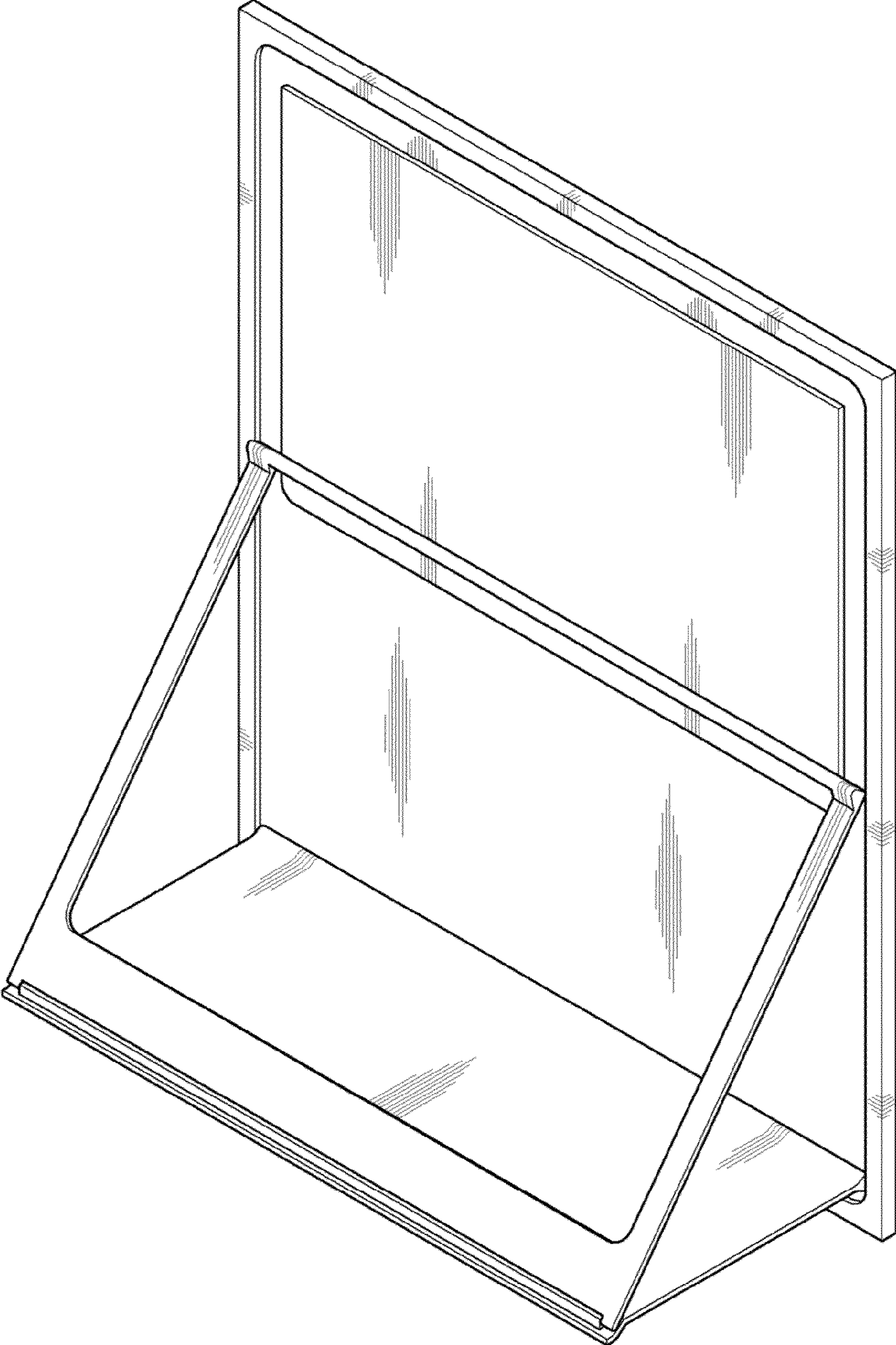


FIG. 9

