



US00D710913S

(12) **United States Design Patent**
Polk

(10) **Patent No.:** **US D710,913 S**

(45) **Date of Patent:** **** Aug. 12, 2014**

(54) **PIVOT WHEEL SEGMENT**

(71) Applicant: **Richard Polk**, Henderson, NV (US)

(72) Inventor: **Richard Polk**, Henderson, NV (US)

(73) Assignee: **Amerityre**, Boulder City, NV (US)

(**) Term: **14 Years**

(21) Appl. No.: **29/472,790**

(22) Filed: **Nov. 15, 2013**

(51) **LOC (10) Cl.** **15-03**

(52) **U.S. Cl.**
USPC **D15/28**

(58) **Field of Classification Search**
USPC D15/28, 22-26; 152/29 A, 29 WT, 523,
152/308, 324; 305/35 R, 35 EB, 39, 53, 56;
180/9.1; 301/43, 44.2; 239/147
See application file for complete search history.

(56) **References Cited**

U.S. PATENT DOCUMENTS

D233,320 S *	10/1974	Svensson	D15/28
D322,076 S *	12/1991	Rollinson	D15/28
5,078,454 A *	1/1992	Rollinson	301/44.1
D325,209 S *	4/1992	Rollinson	D15/28
D342,526 S *	12/1993	Chandler	D15/28
5,390,985 A *	2/1995	Chandler	301/44.2
D365,826 S *	1/1996	Chandler	D15/28
D365,827 S	1/1996	Chandler		

5,573,310 A	11/1996	Rollinson	
D382,570 S *	8/1997	Bruns D15/28
D391,582 S *	3/1998	Bruns D15/28
D454,576 S *	3/2002	Huntimer D15/28
D654,513 S *	2/2012	McPhail et al. D15/28

OTHER PUBLICATIONS

U.S. Appl. No. 13/053,438, Werner.

* cited by examiner

Primary Examiner — Mark Goodwin

(74) *Attorney, Agent, or Firm* — M. Reid Russell

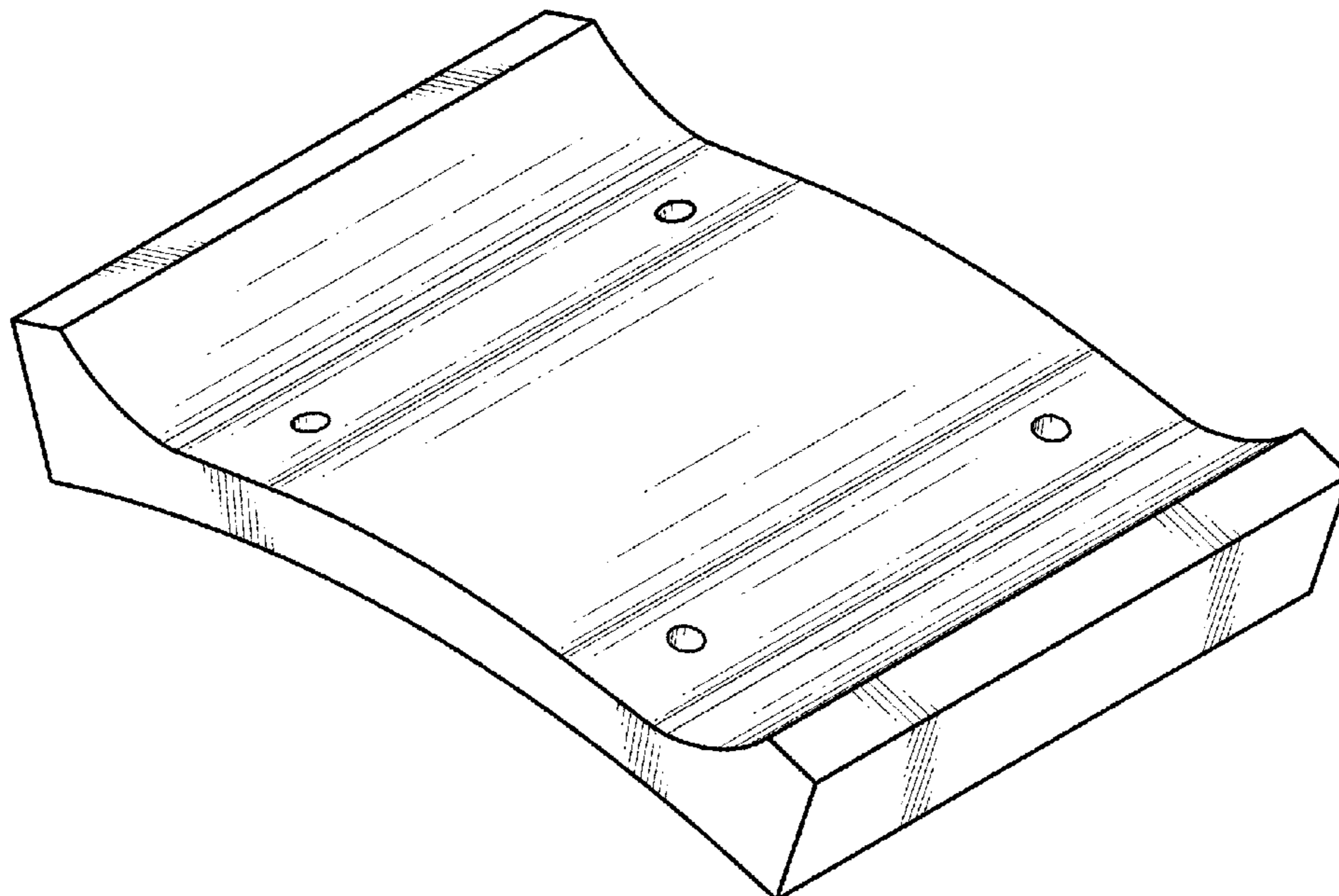
(57) **CLAIM**

The ornamental design for a pivot wheel segment, as shown and described.

DESCRIPTION

FIG. 1 is a side elevation perspective view taken from the top and side of a pivot wheel segment showing my new design; FIG. 2 is a side elevation bottom plan view thereof, it being understood that left and right side views thereof are mirror images of one another; FIG. 3 is a bottom plan view thereof; FIG. 4 is a side elevation view thereof; FIG. 5 is a side elevation view thereof, with the pivot wheel segment having been turned over; FIG. 6 is a top plan view like that of FIG. 1; FIG. 7 is an end elevation view thereof; and, FIG. 8 is an opposite end elevation view thereof.

1 Claim, 3 Drawing Sheets



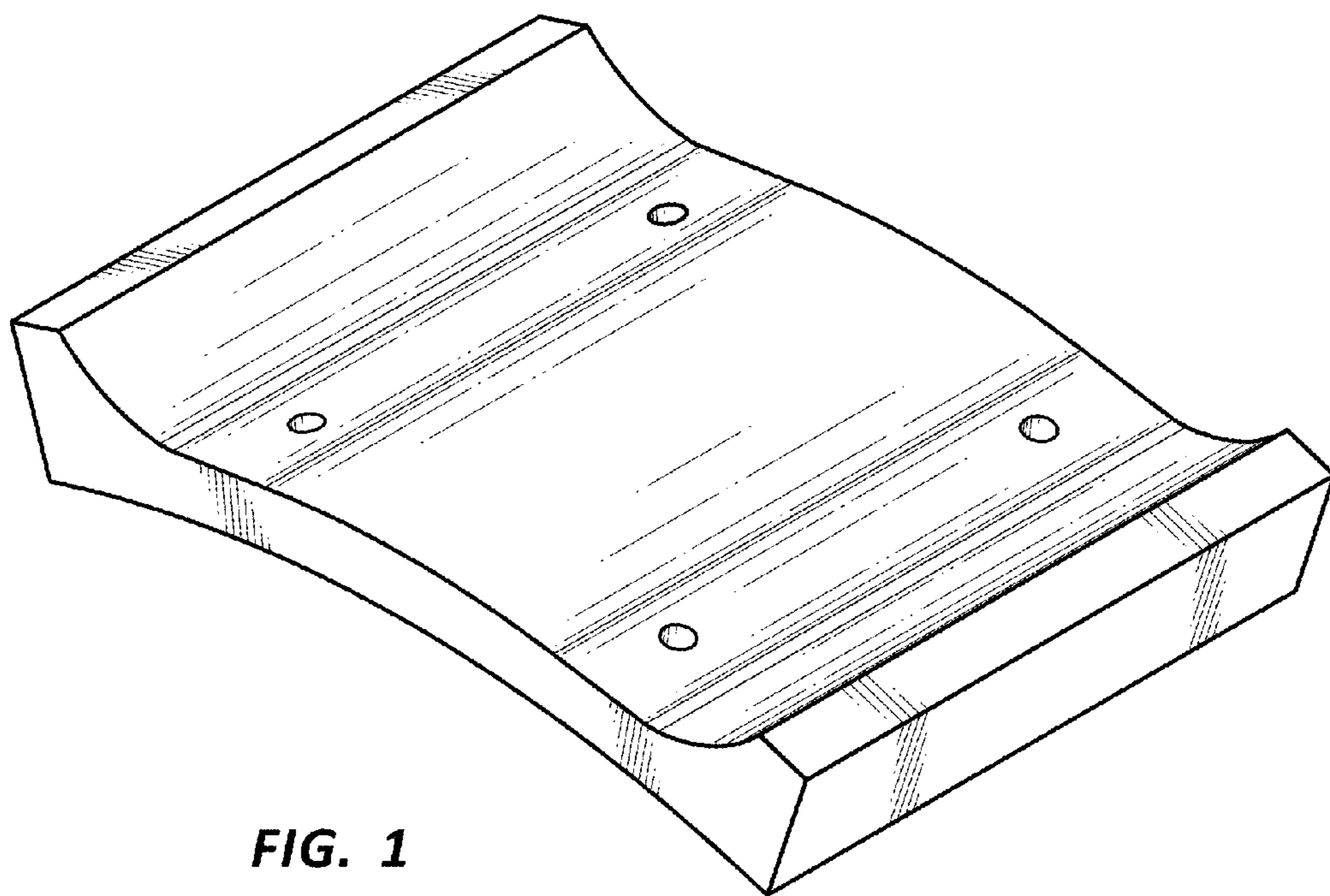


FIG. 1

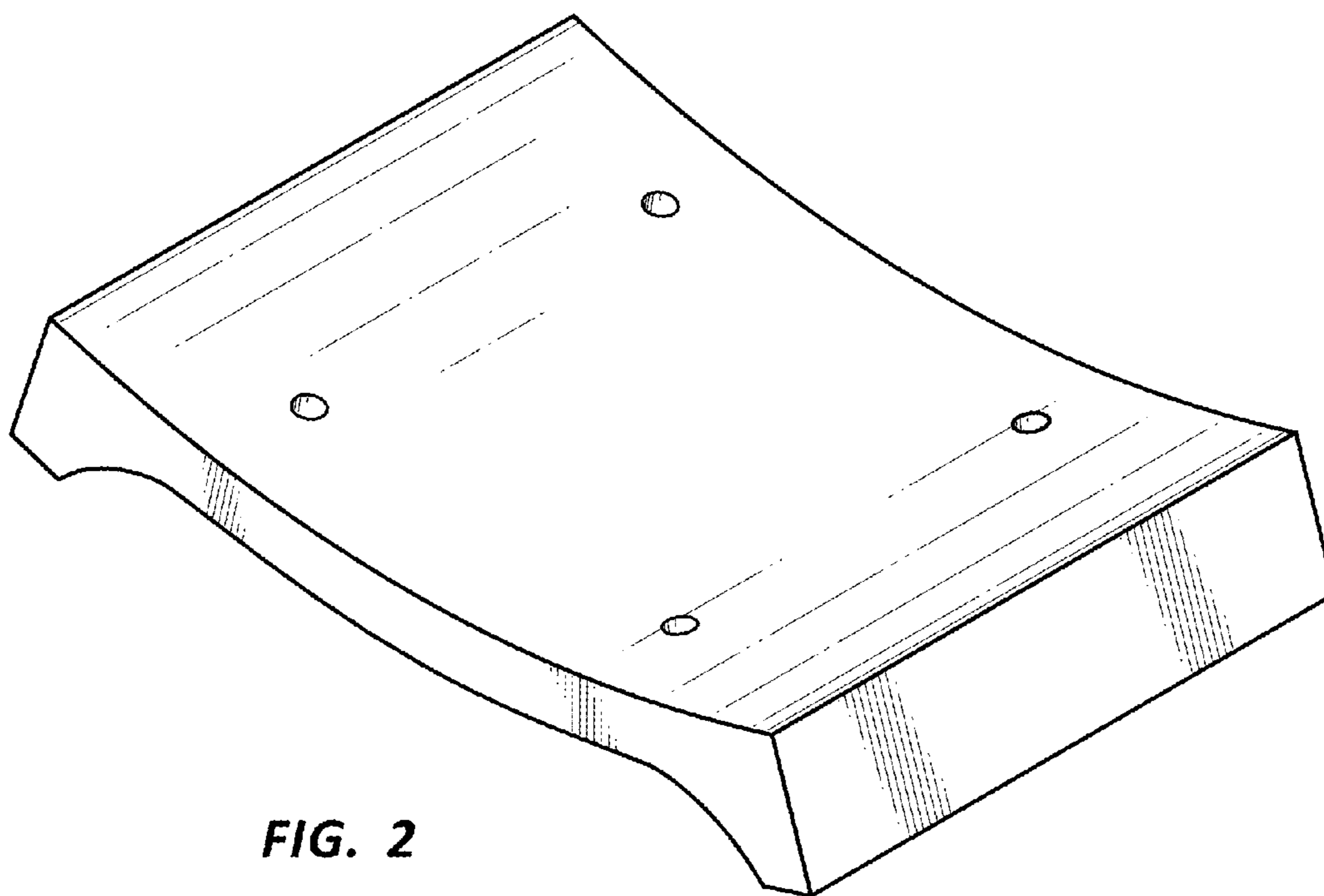


FIG. 2

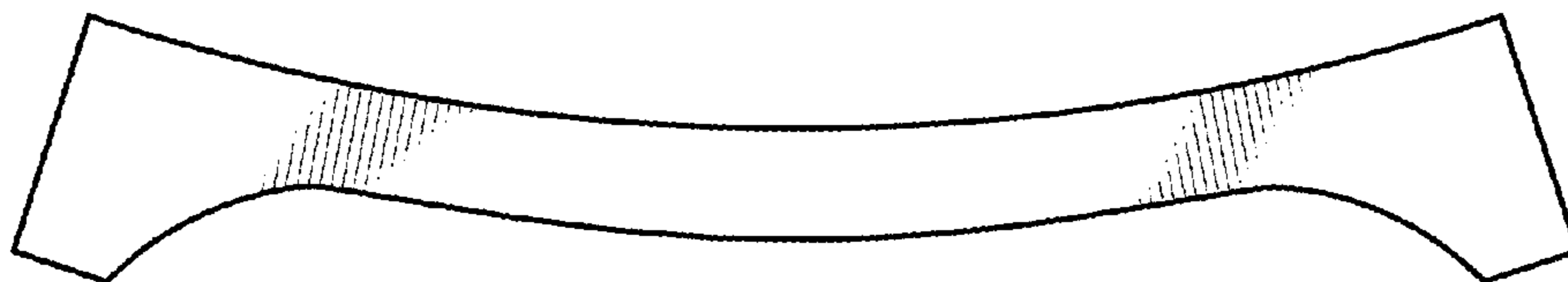


FIG. 4

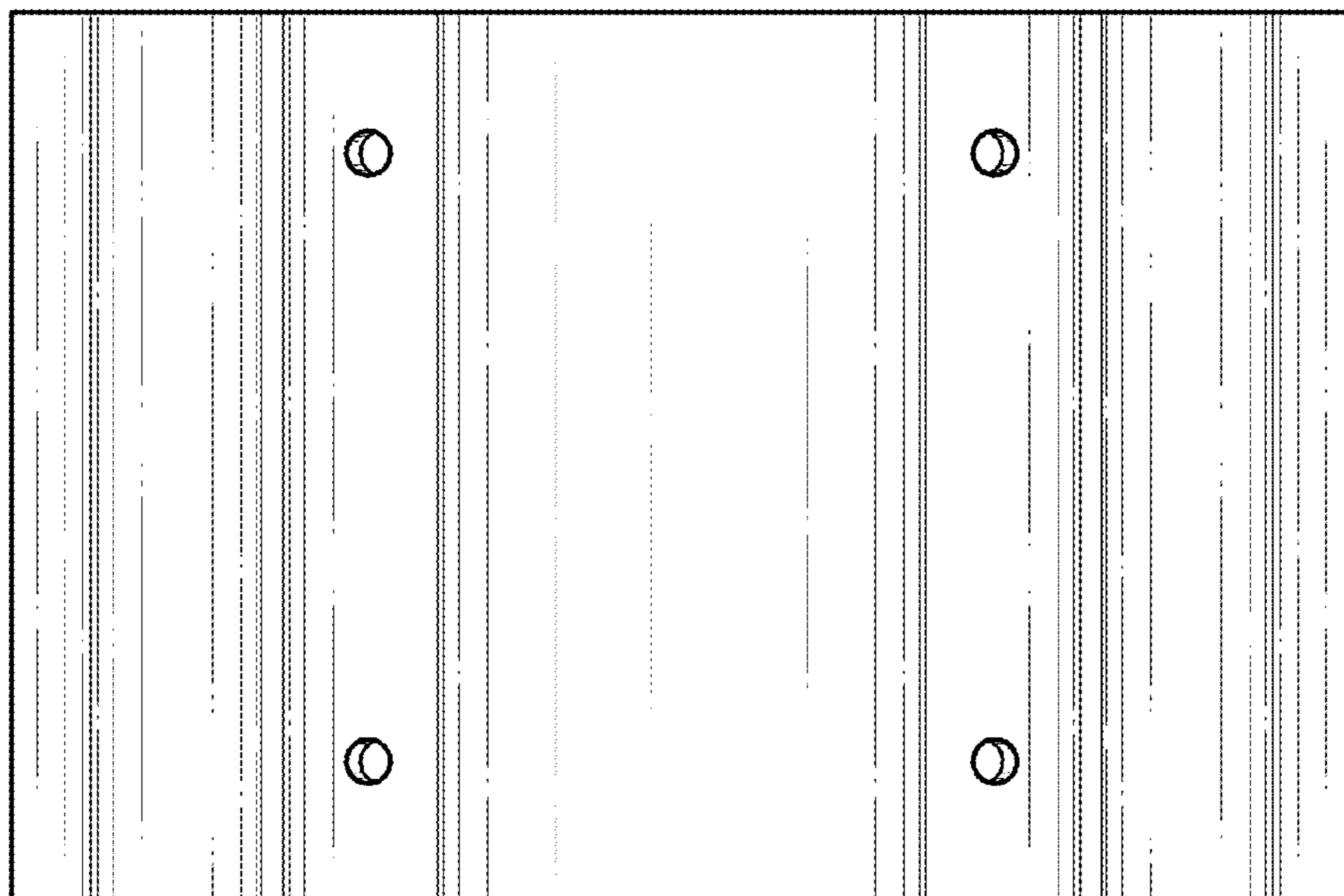


FIG. 3

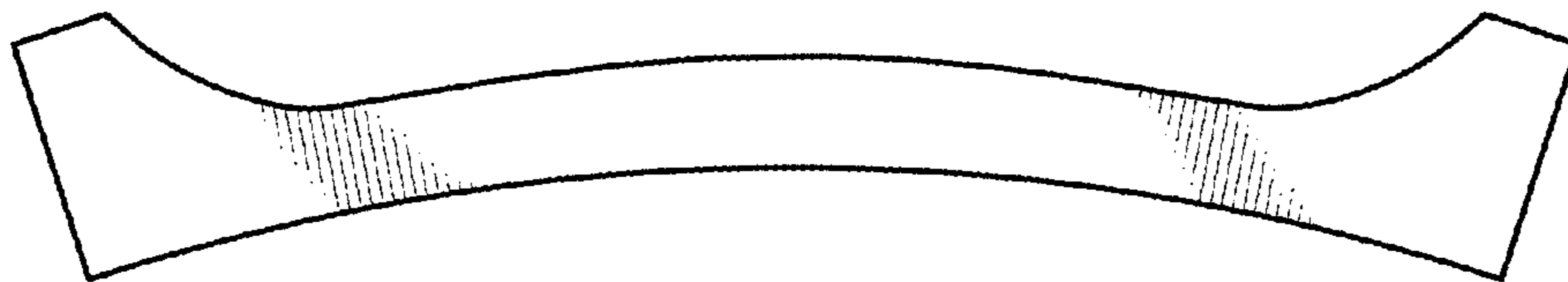


FIG. 5

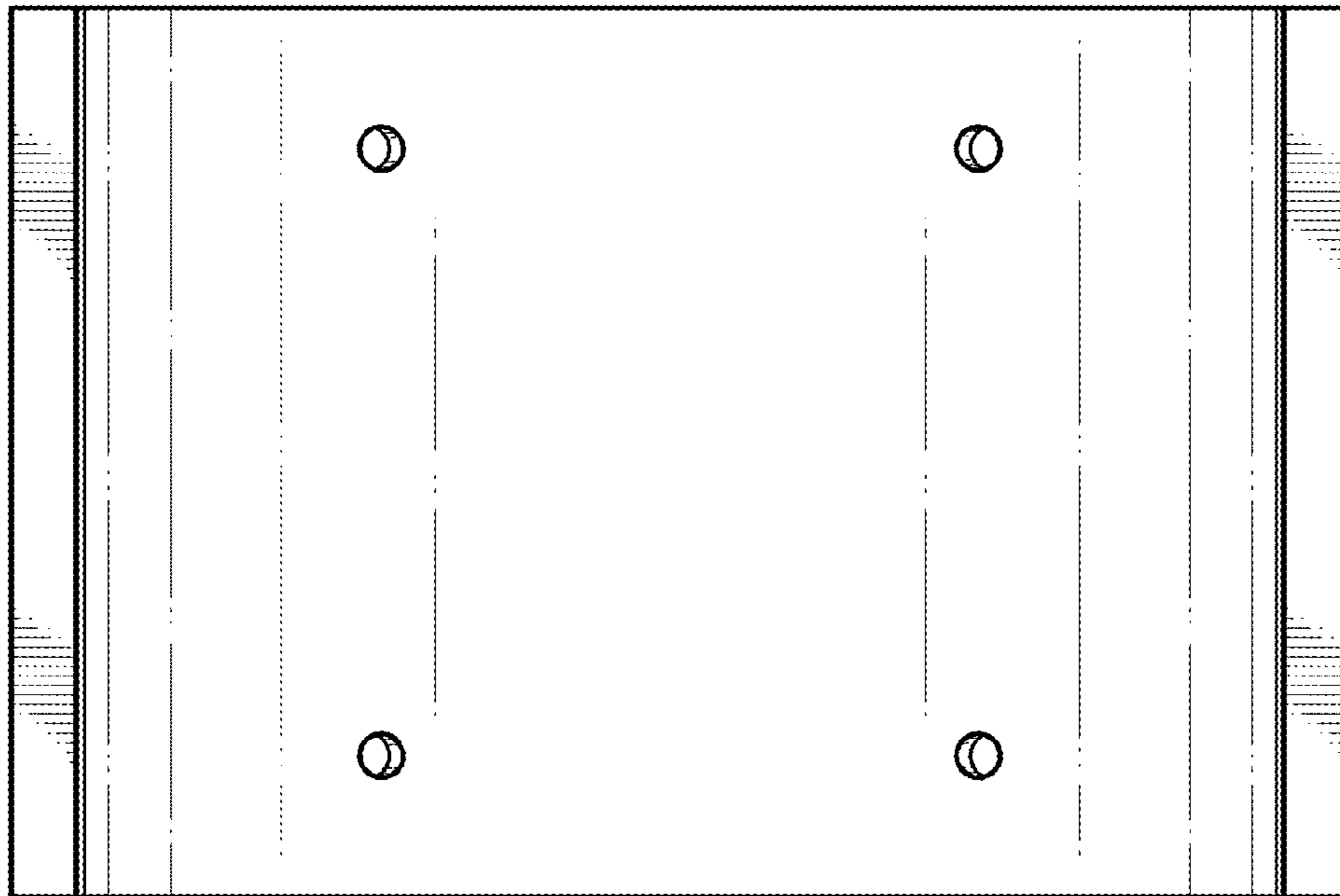


FIG. 6

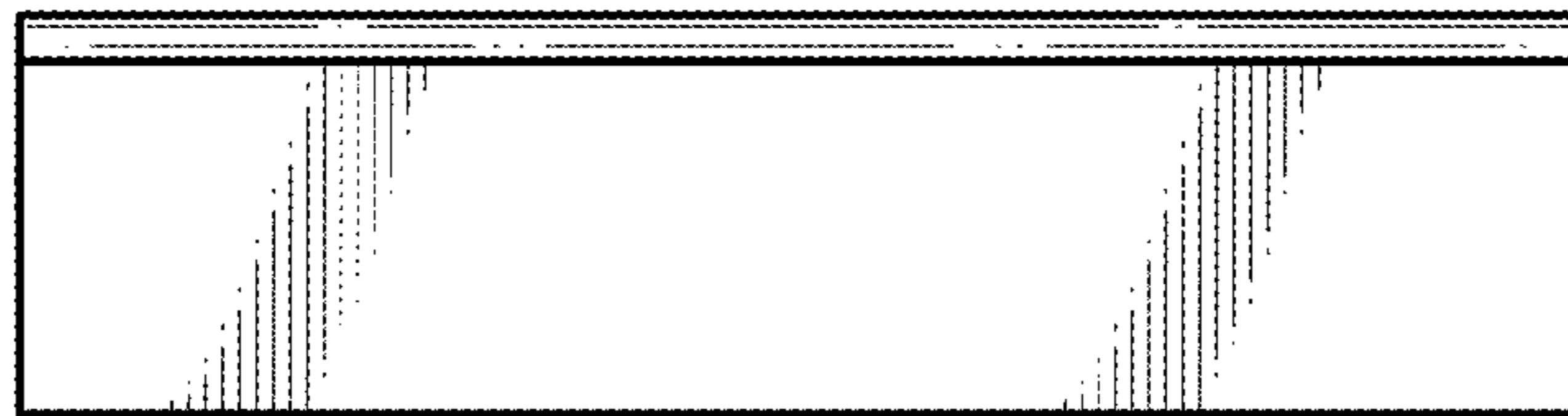


FIG. 7

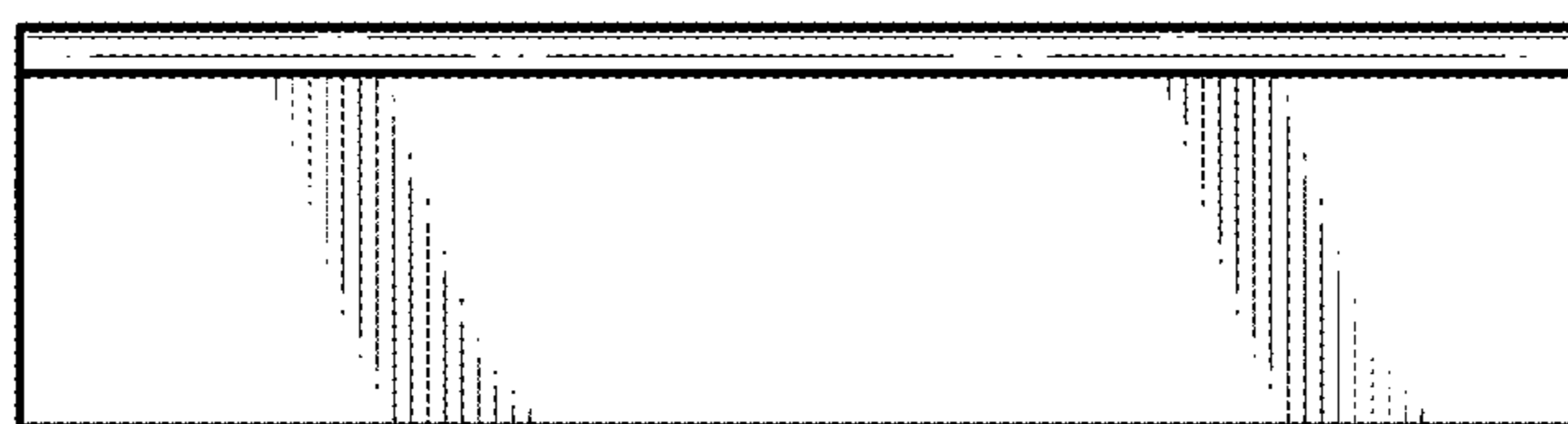


FIG. 8