



US00D710912S

(12) **United States Design Patent**
Wehmeier

(10) **Patent No.:** **US D710,912 S**

(45) **Date of Patent:** **** Aug. 12, 2014**

(54) **GRAVEL CHUTE ASSEMBLY**

(71) Applicant: **Michael E. Wehmeier**, St. Peters, MO
(US)

(72) Inventor: **Michael E. Wehmeier**, St. Peters, MO
(US)

(**) Term: **14 Years**

(21) Appl. No.: **29/466,831**

(22) Filed: **Sep. 12, 2013**

(51) **LOC (10) Cl.** **15-03**

(52) **U.S. Cl.**
USPC **D15/28**

(58) **Field of Classification Search**
USPC D15/10, 17, 19, 21, 28, 138; D34/28;
366/68; 193/10, 16, 23, 25 A, 2 D;
414/537

See application file for complete search history.

(56) **References Cited**

U.S. PATENT DOCUMENTS

D156,414 S *	12/1949	Fleischmann	D15/19
D161,852 S *	2/1951	Meeder	D34/28
D164,358 S *	8/1951	Faber	D15/19
2,672,327 A *	3/1954	Oury	366/68
D187,717 S *	4/1960	Kayser	D15/19
D296,942 S *	7/1988	Keeter	D34/28
D314,270 S *	1/1991	Bryant	D34/28
D322,973 S *	1/1992	St. Ama	D15/19
D324,688 S *	3/1992	St. Ama	D15/19

D327,485 S *	6/1992	St.Ama	D15/19
D332,955 S *	2/1993	Hull	D15/122
D351,709 S *	10/1994	Williams	D34/28
5,390,865 A *	2/1995	Vandermolen et al.	..	241/101.76
5,538,388 A *	7/1996	Bergkamp et al.	414/523
5,842,649 A *	12/1998	Beck et al.	239/677
D439,718 S *	3/2001	Thorpe	D34/5
D459,365 S *	6/2002	Myers et al.	D15/19
D665,682 S *	8/2012	Nagai	D10/94
D665,683 S *	8/2012	Nagai	D10/94
2005/0169739 A1 *	8/2005	Raley	414/724
2013/0004275 A1 *	1/2013	Pylinski	414/537

* cited by examiner

Primary Examiner — Mark Goodwin

(74) *Attorney, Agent, or Firm* — Thompson Coburn LLP

(57) **CLAIM**

The ornamental design for a gravel chute assembly, as shown and described.

DESCRIPTION

FIG. 1 is a front right top perspective view of a gravel chute assembly showing my new design.

FIG. 2 is a front view thereof.

FIG. 3 is a right side view, the left side view being a mirror image thereof.

FIG. 4 is a top plan view thereof.

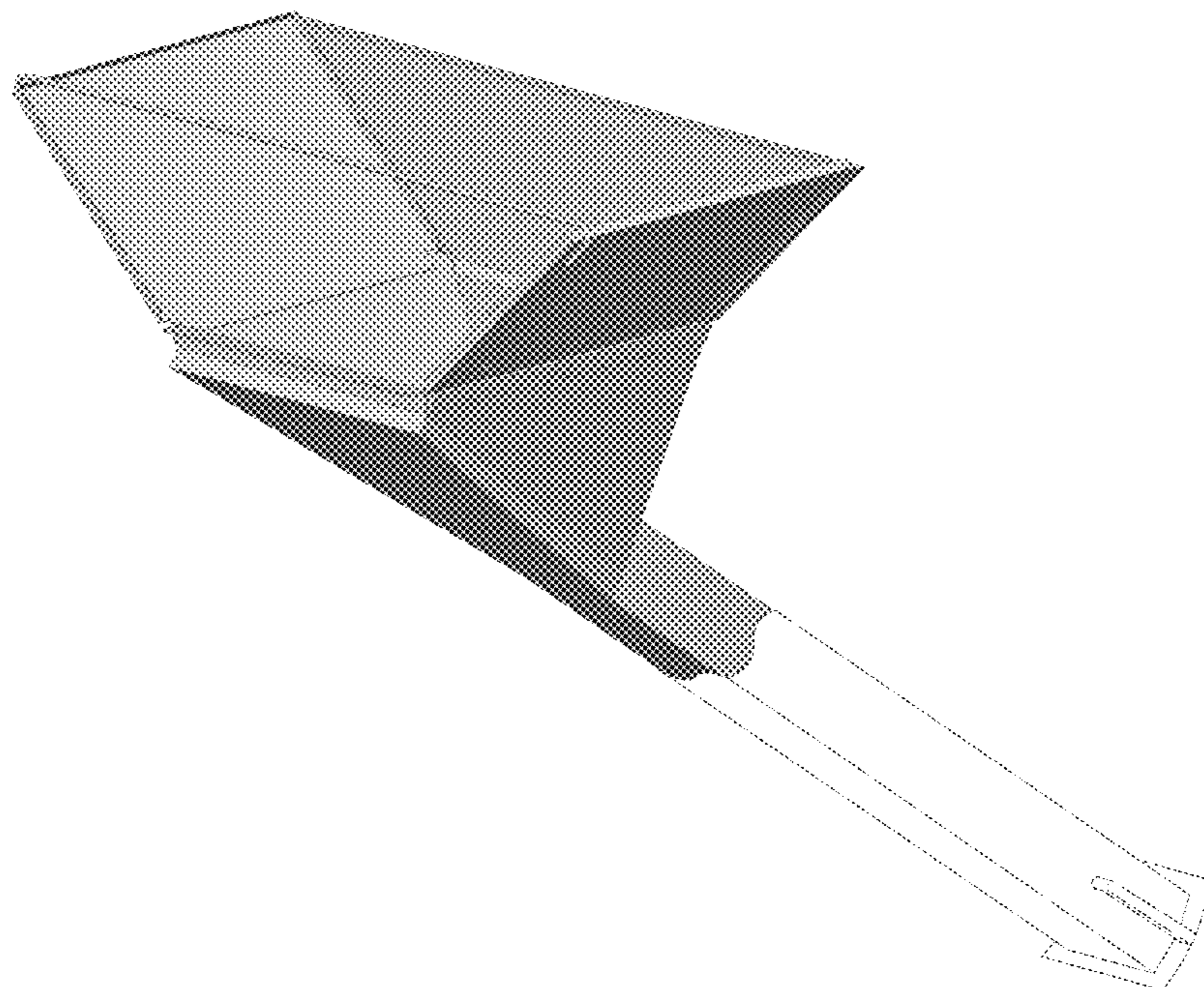
FIG. 5 is a bottom plan view thereof.

FIG. 6 is a rear view thereof; and,

FIG. 7 is an exploded perspective view thereof.

The dashed lines in the drawing figures represent the environment and do not constitute part of the claimed design.

1 Claim, 7 Drawing Sheets



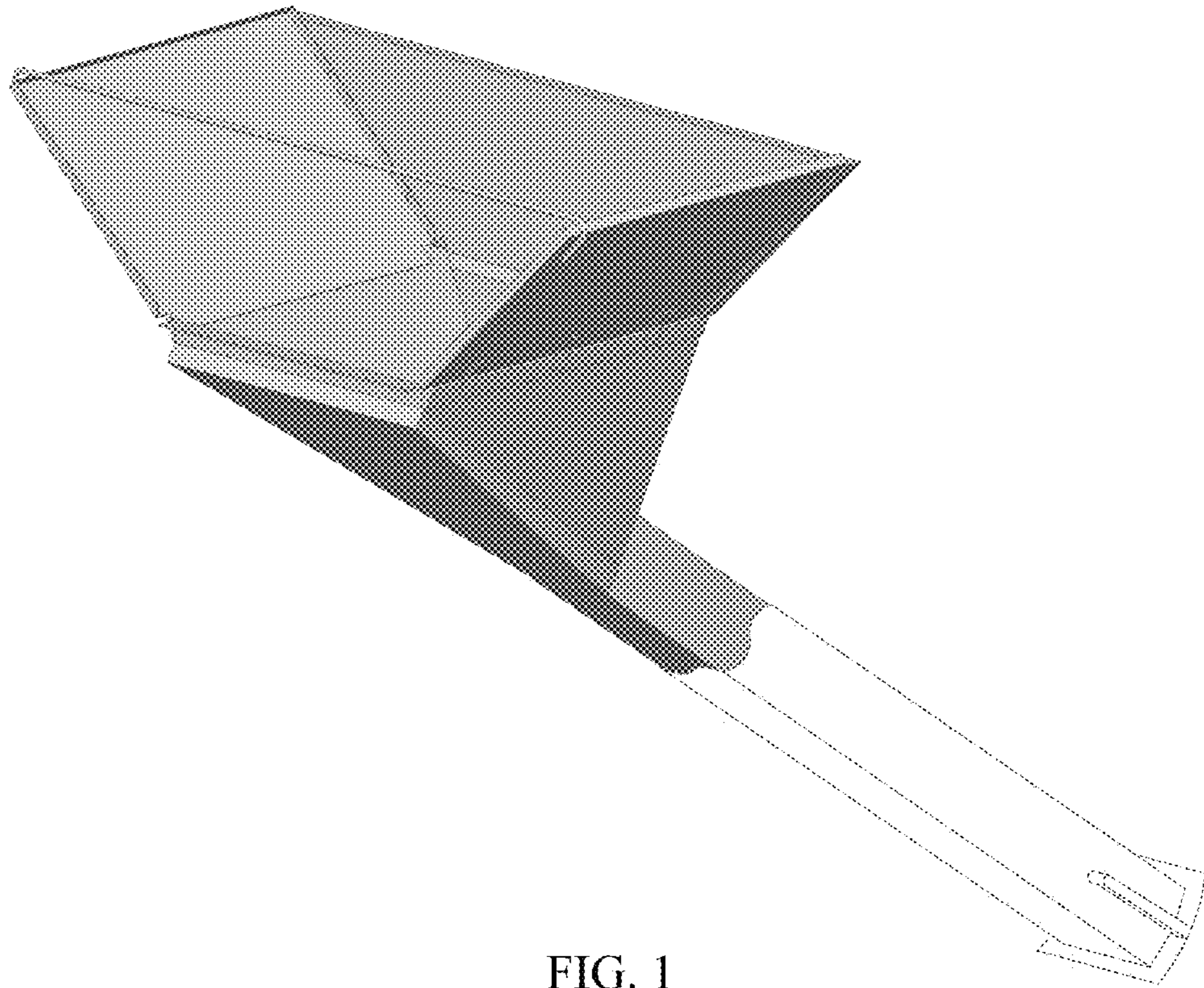


FIG. 1

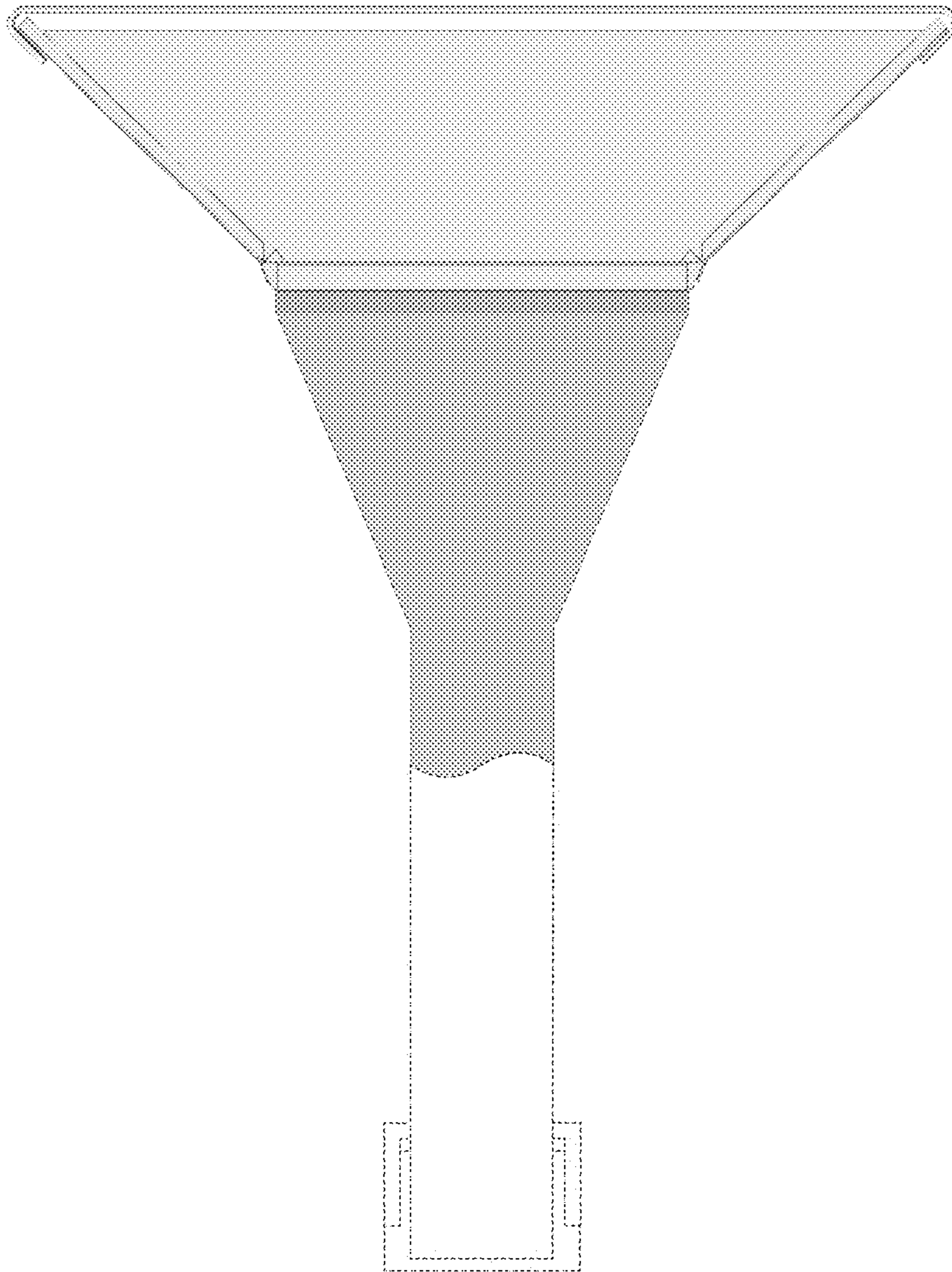


FIG. 2

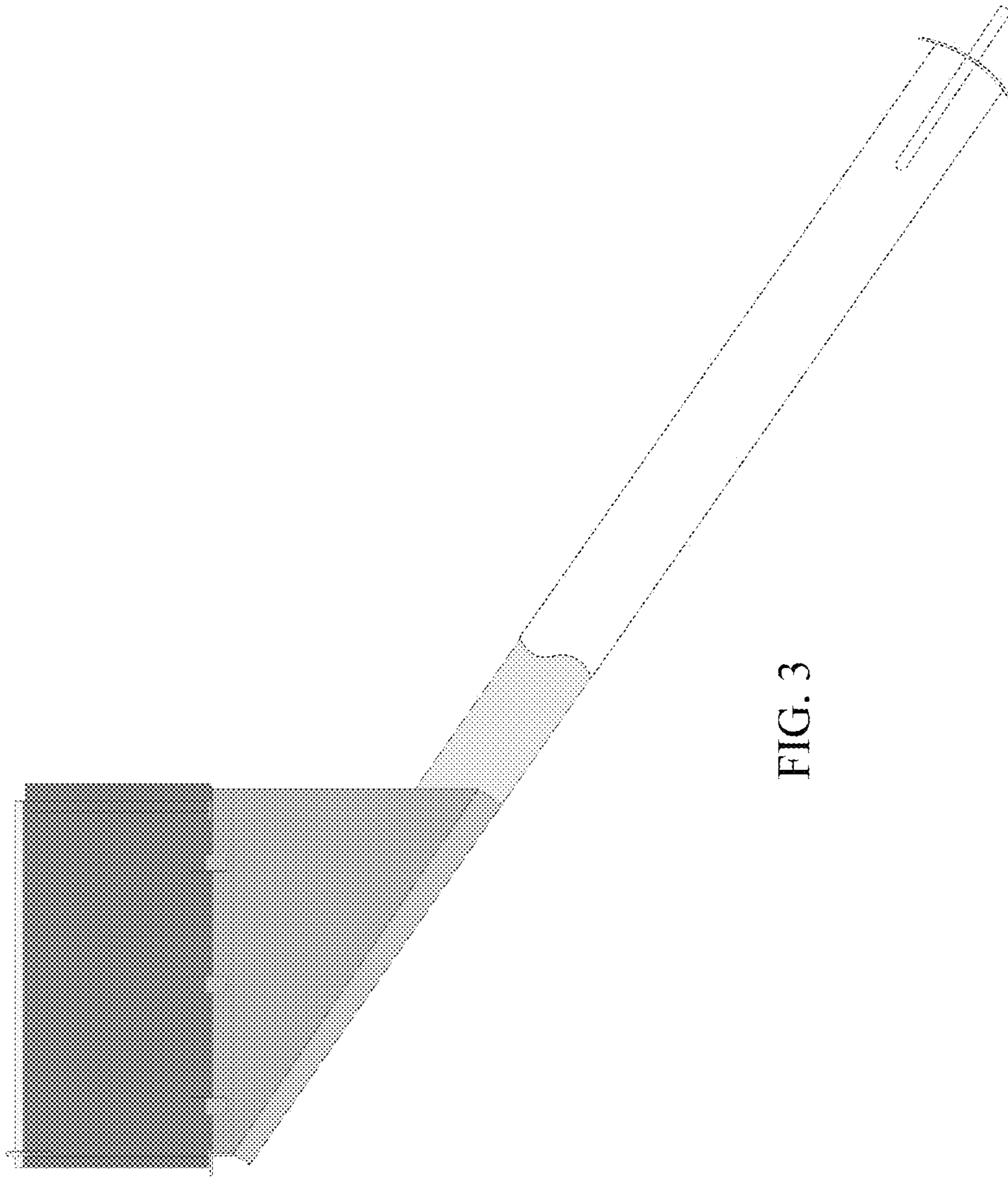


FIG. 3

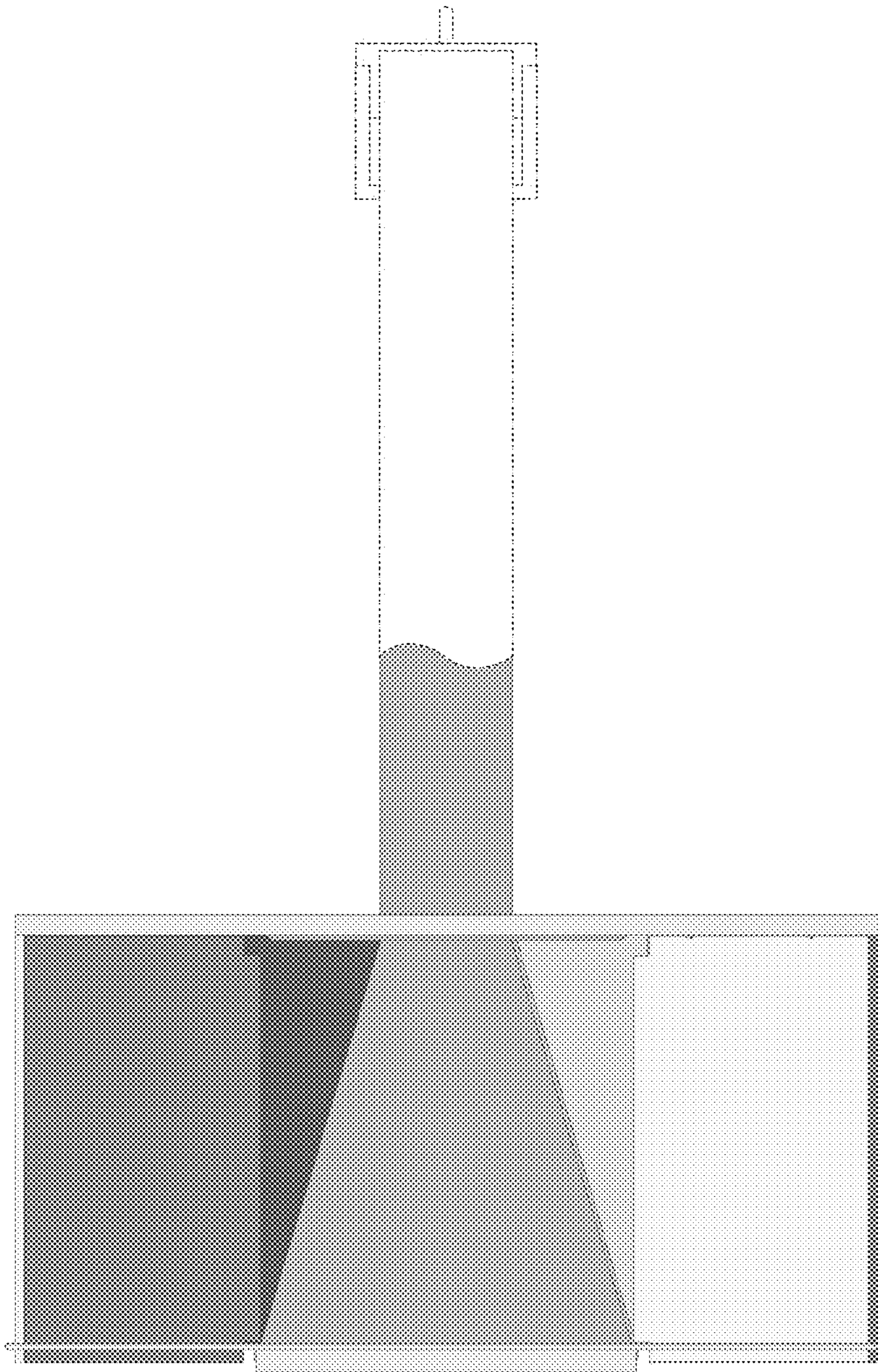


FIG. 4

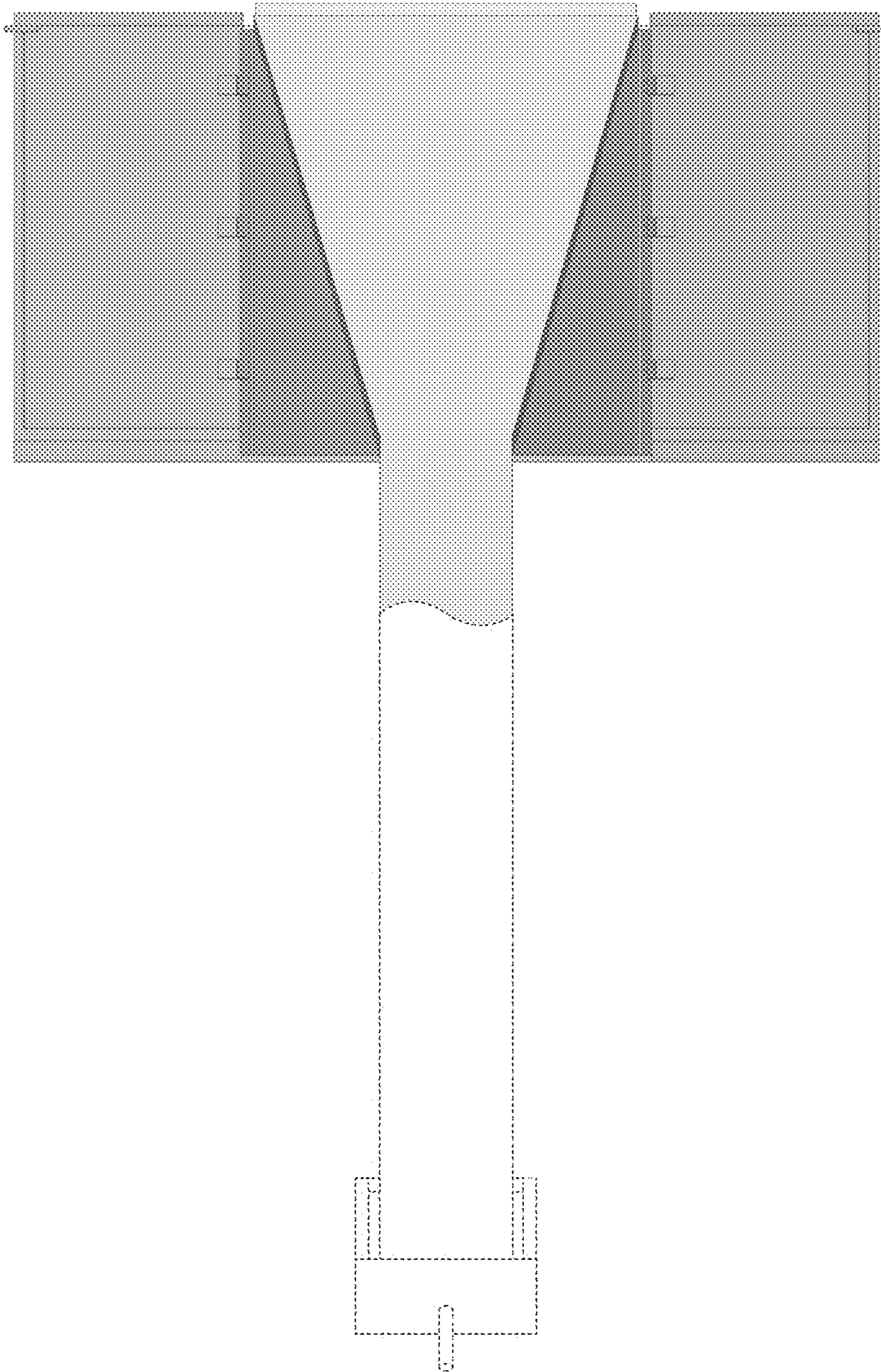


FIG. 5

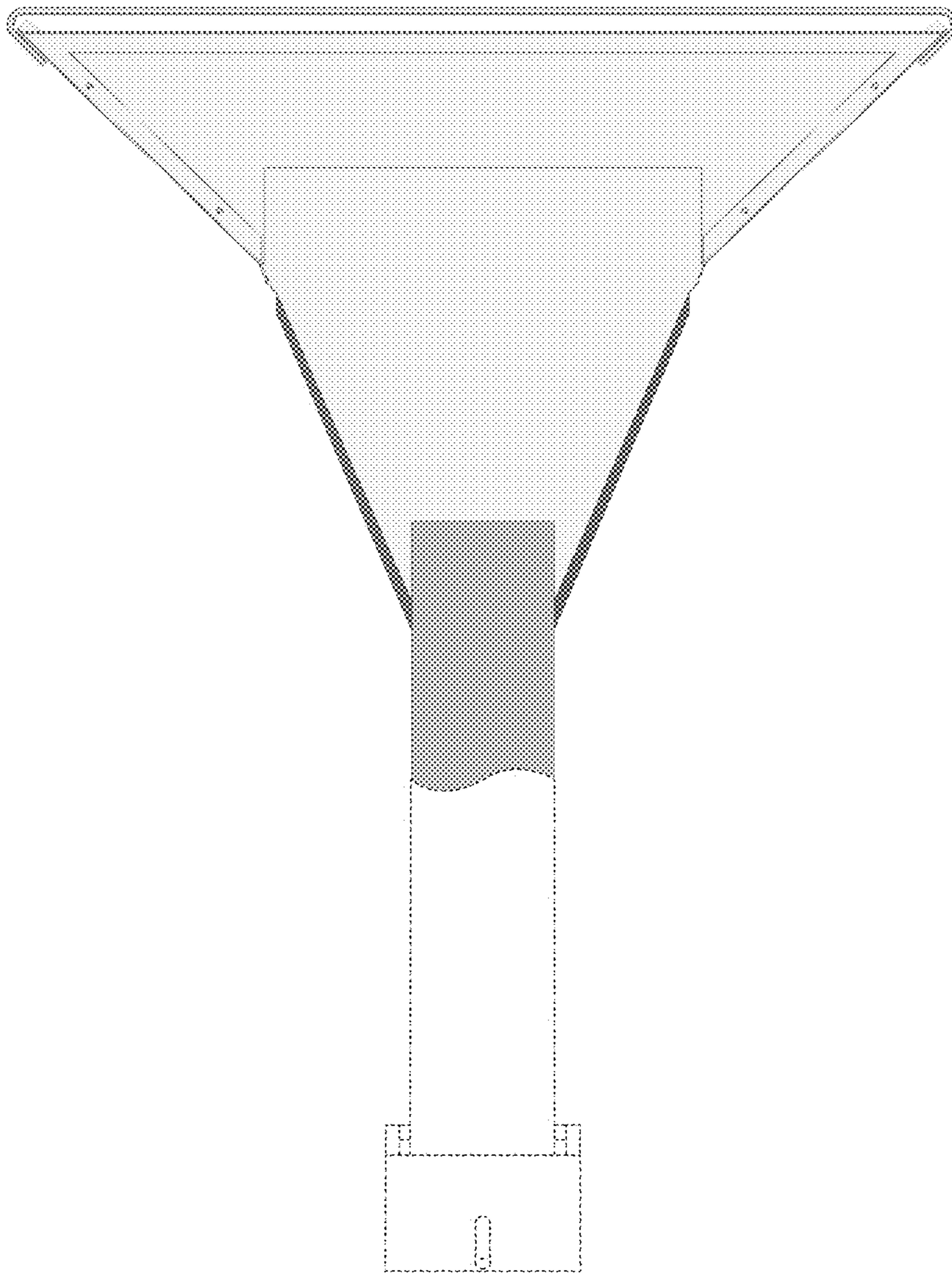


FIG. 6

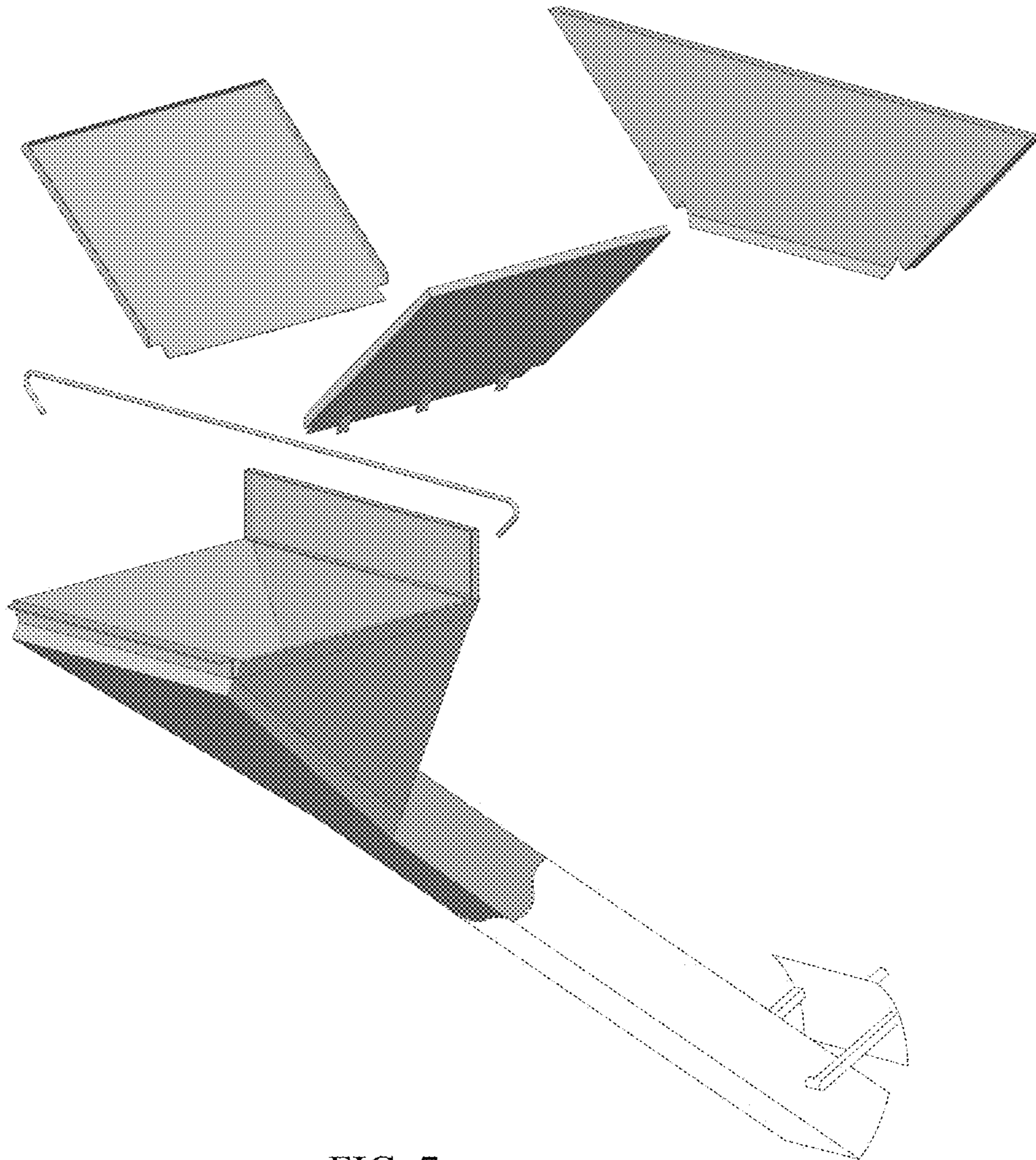


FIG. 7